



US00D713877S

(12) **United States Design Patent**
Kuehn et al.

(10) **Patent No.:** **US D713,877 S**

(45) **Date of Patent:** **** Sep. 23, 2014**

(54) **FILE RACK**

(71) Applicant: **Target Brands, Inc.**, Minneapolis, MN (US)

(72) Inventors: **Thomas P. Kuehn**, St. Louis Park, MN (US); **Katherine E. Larson**, Minneapolis, MN (US)

(73) Assignee: **Target Brands, Inc.**, Minneapolis, MN (US)

(**) Term: **14 Years**

(21) Appl. No.: **29/457,397**

(22) Filed: **Jun. 10, 2013**

(51) **LOC (10) Cl.** **19-02**

(52) **U.S. Cl.**
USPC **D19/90**

(58) **Field of Classification Search**
USPC D6/629; D19/75, 77, 78, 86-91;
206/39.5, 215, 233, 425, 449; 211/10,
211/11, 45, 50, 55, 87.01, 126.13, 126.16
See application file for complete search history.

(56) **References Cited**

U.S. PATENT DOCUMENTS

58,716	A *	10/1866	Crossman	211/50
2,243,370	A *	5/1941	Bell	211/182
D187,278	S *	2/1960	Gusdorf	D34/21
3,094,216	A *	6/1963	Gordon	211/45
D279,440	S	7/1985	Evenson		
D336,927	S	6/1993	Samuels et al.		
D353,400	S	12/1994	Goodman et al.		
D358,508	S *	5/1995	Levine	D6/464
5,779,331	A *	7/1998	Fox et al.	312/184
D432,171	S	10/2000	Stravitz		

D446,967	S	8/2001	Stravitz		
D455,293	S	4/2002	Stravitz		
D498,263	S	11/2004	Goodman et al.		
D550,284	S	9/2007	Goodman et al.		
D570,141	S *	6/2008	Snider	D6/515
D674,223	S *	1/2013	Green et al.	D6/518
D675,047	S *	1/2013	Green et al.	D6/518

OTHER PUBLICATIONS

OnTimeSupplies, "Rolodex198 Mesh File Frame Holder," <http://www.ontimesupplies.com/rolodex-mesh-file-frame-holder.html>, at least as early as May 2013, 1 page.

(Continued)

Primary Examiner — Elizabeth Albert

(74) *Attorney, Agent, or Firm* — Leanne Taveggia Farrell; Westman, Champlin & Koehler, P.A.

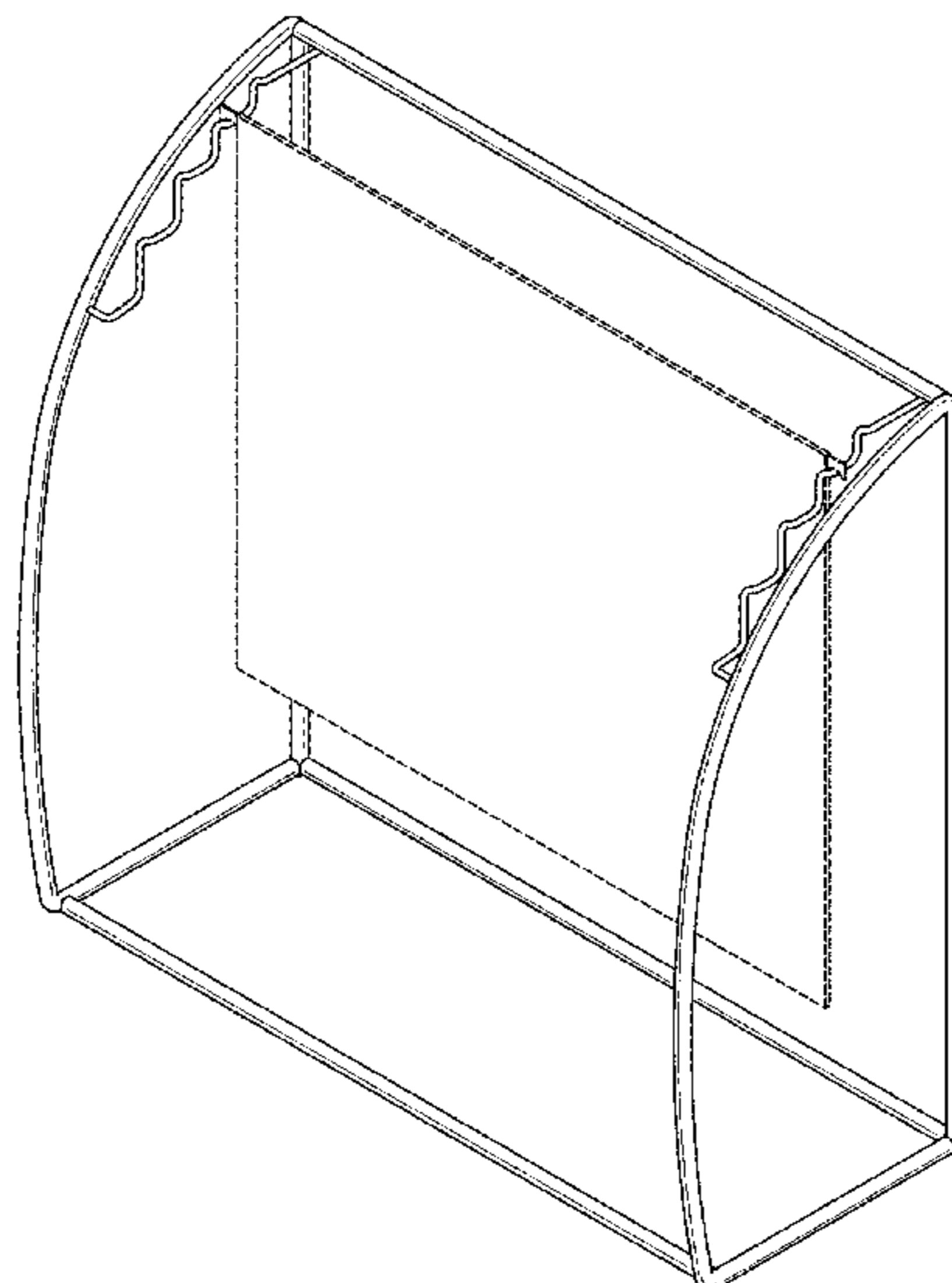
(57) **CLAIM**

The ornamental design for a file rack, as shown and described.

DESCRIPTION

FIG. 1 is a first perspective view of a file rack showing our new design;
FIG. 2 is a second perspective view thereof;
FIG. 3 is a front view thereof;
FIG. 4 is a back view thereof;
FIG. 5 is a side view thereof, the opposing side being a mirror image;
FIG. 6 is a top view thereof; and,
FIG. 7 is a bottom view thereof.
The broken lines shown in the drawings are included for purposes of illustrating environment and form no part of the claimed design.

1 Claim, 6 Drawing Sheets



(56)

References Cited

OTHER PUBLICATIONS

TRC, "Letter Size Hanging File Organizer, Wire," http://www.trc-office-supplies-and-home-office-supplies.com/index.cfm/ses_/c,list,x,3000027,3000784,x/File%20Folders,%20Portable%20%26%20Storage%20Box%20Files/, at least as early as May 2013, 1 page.

American Paper & Twine Co®, "Safco® Steel Mesh Desktop Hanging File," [http://www.shopapt.com/Office%20Products/Desk%](http://www.shopapt.com/Office%20Products/Desk%20Accessories/Desktop%20Sorters%20and%20Organizers/065981)

[20Accessories/Desktop%20Sorters%20and%20Organizers/065981](http://www.shopapt.com/Office%20Products/Desk%20Accessories/Desktop%20Sorters%20and%20Organizers/065981), at least as early as May 2013, 1 page.

Brookstone, "Onyx Mesh Desk Organizer 8 Tiered Sections," <http://www.brookstone.com/onyx-mesh-desk-organizer-8-tiered-sections-crosley>, at least as early as May 2013, 1 page.

Rakuten, "Rolodex Expressions 3-Tier Desk Organizer," <http://www.rakuten.com/prod/rolodex-expressions-3-tier-desk-organizer-11-5-x-12-8-x-3-5-3-tier-s/206475126.html>, at least as early as May 2013, 1 page.

* cited by examiner

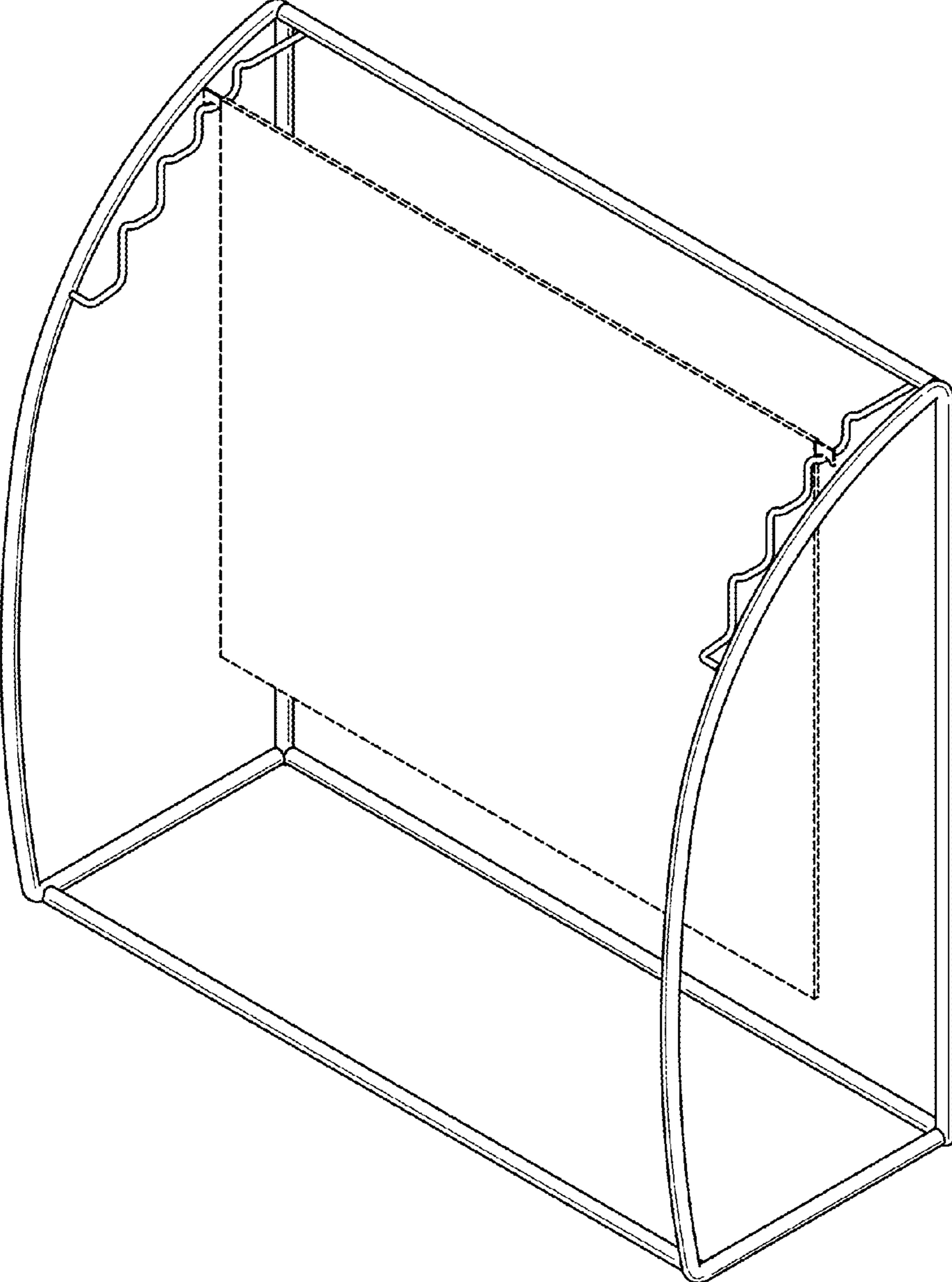


Fig. 1

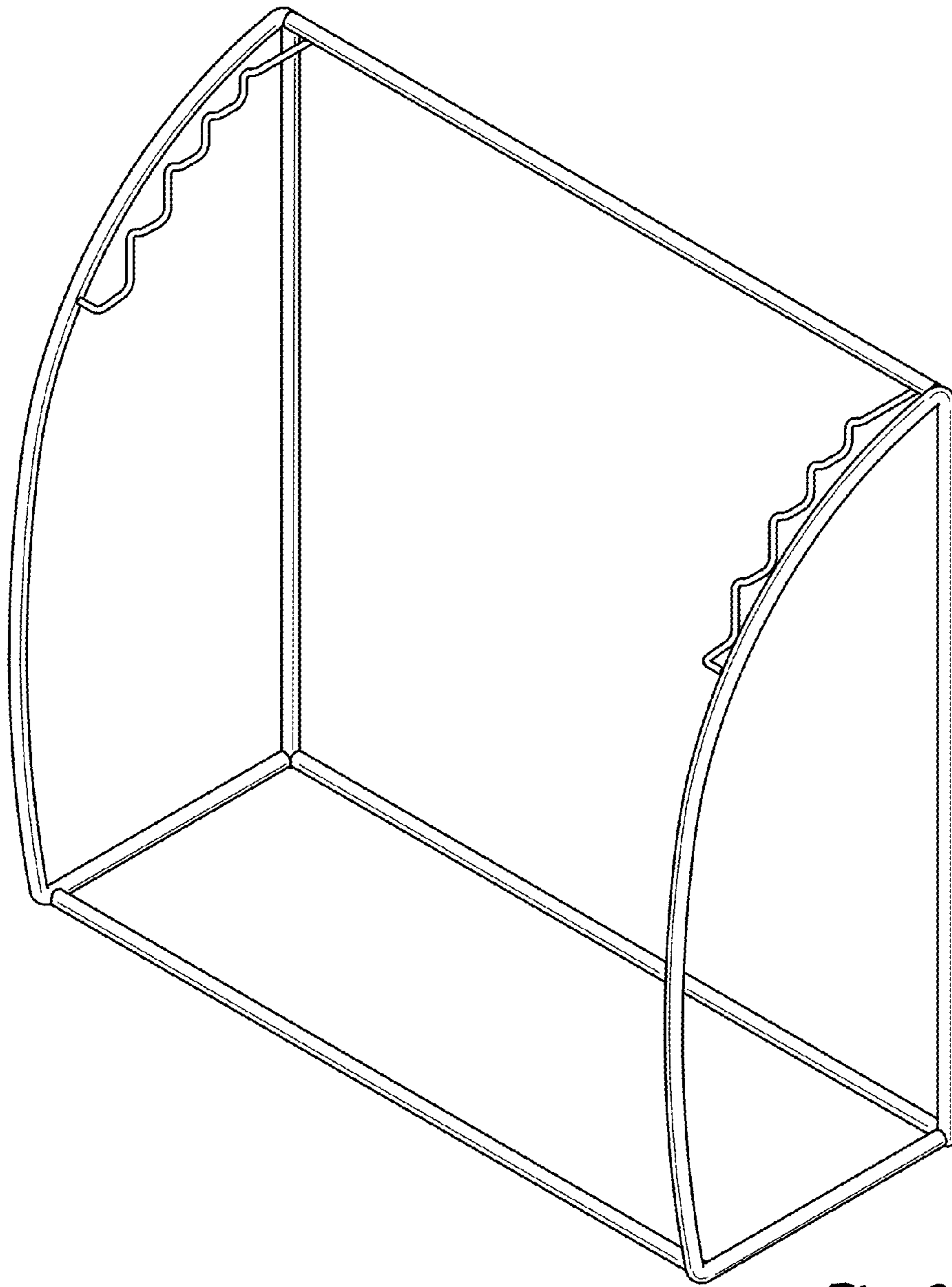


Fig. 2

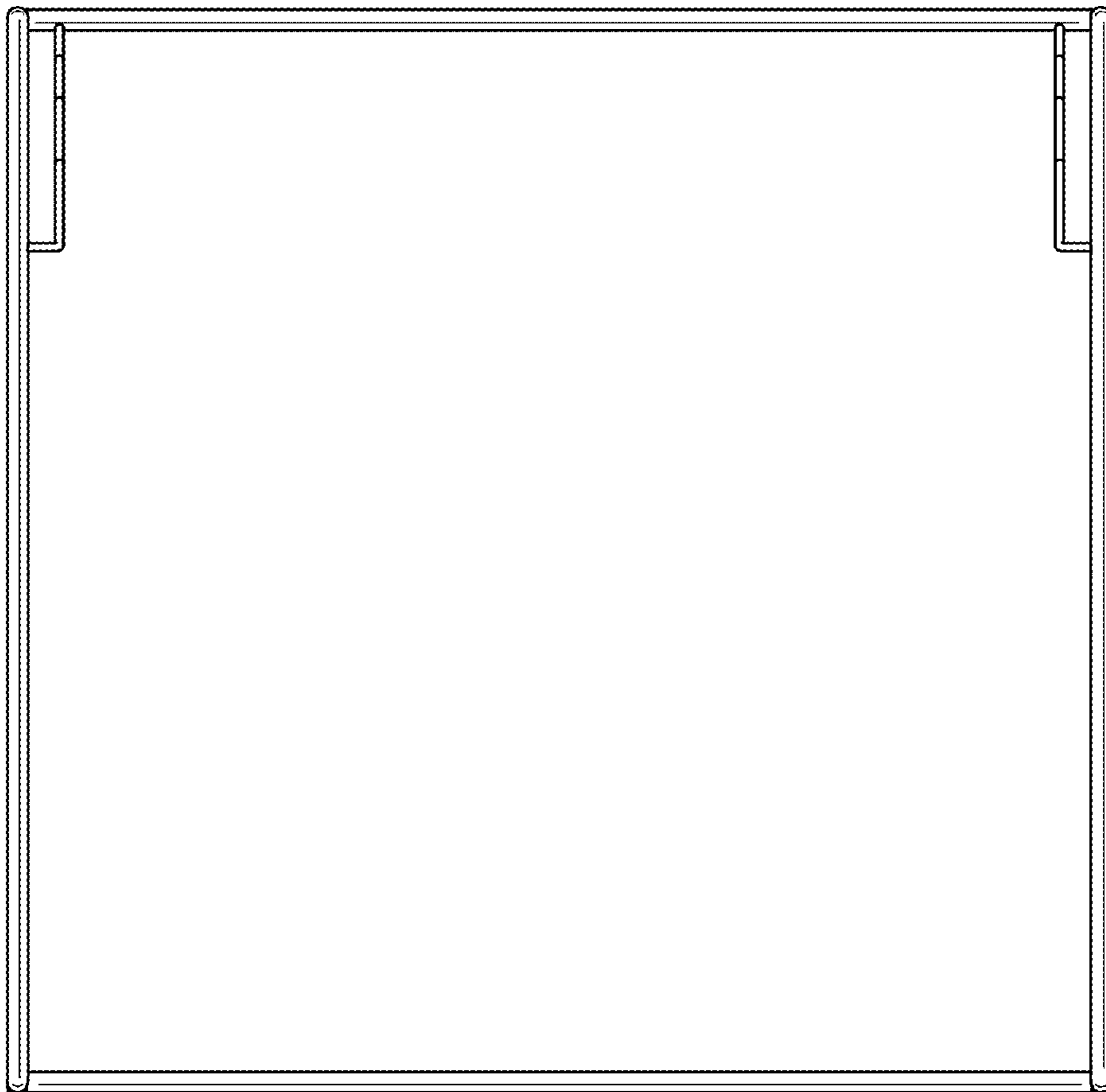


Fig. 3

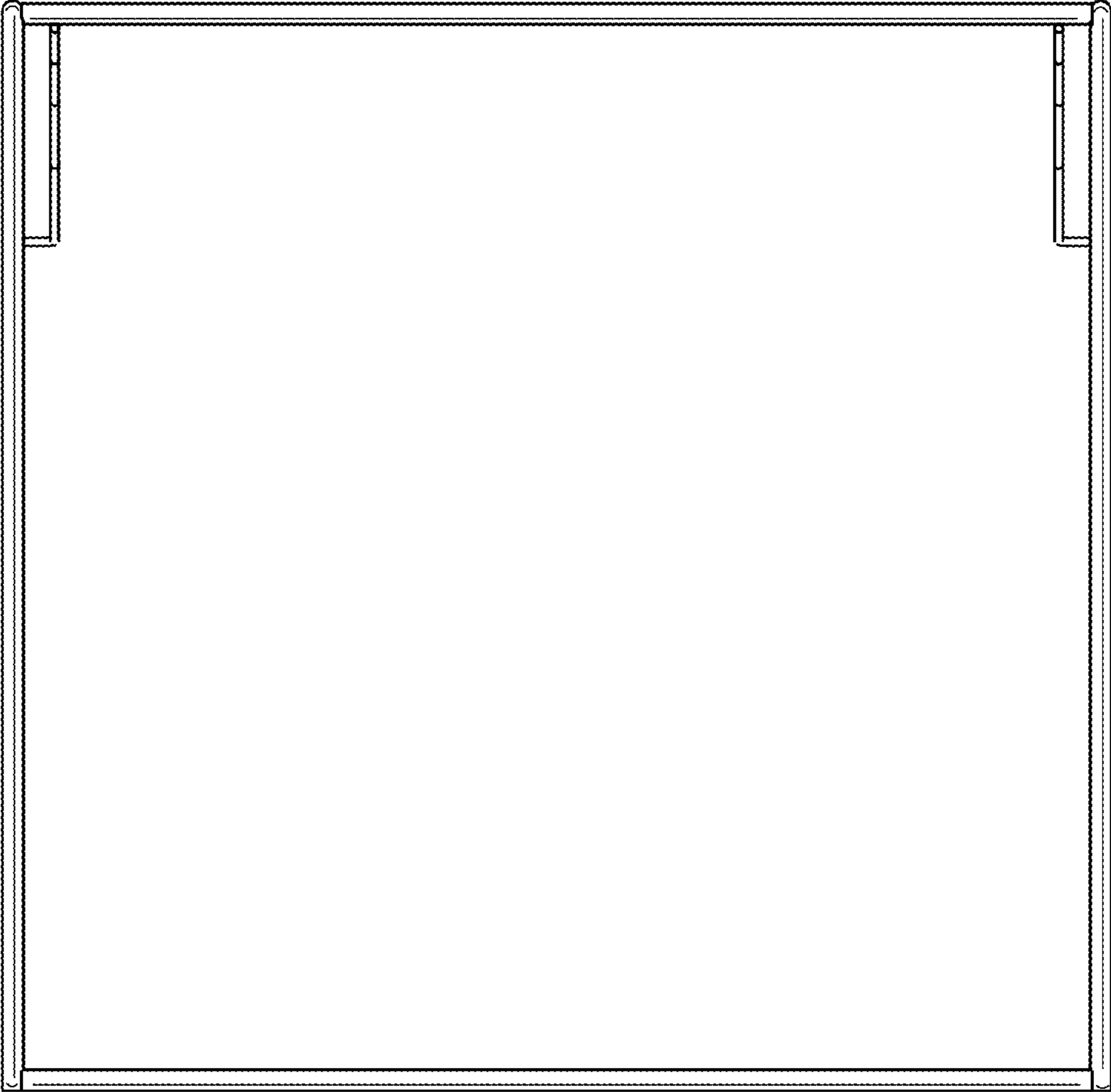


Fig. 4

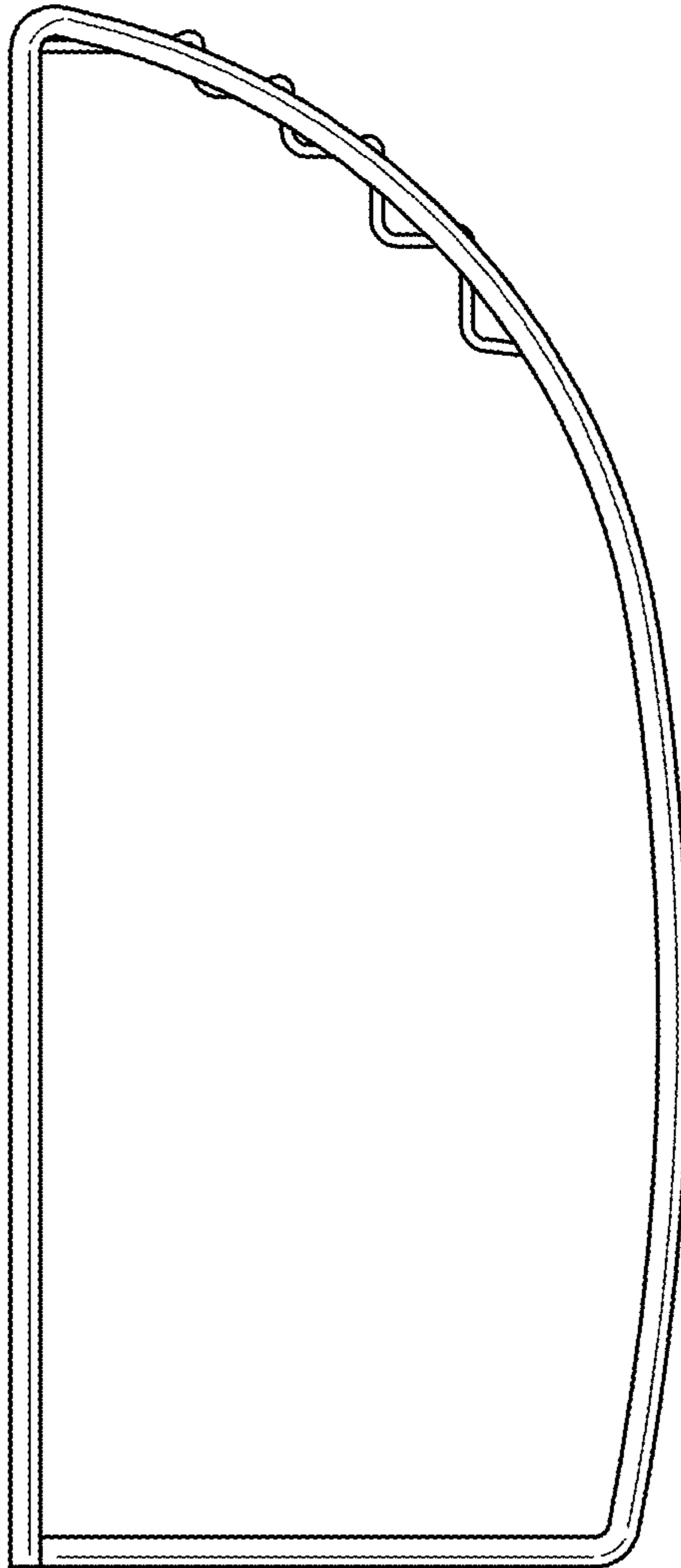


Fig. 5

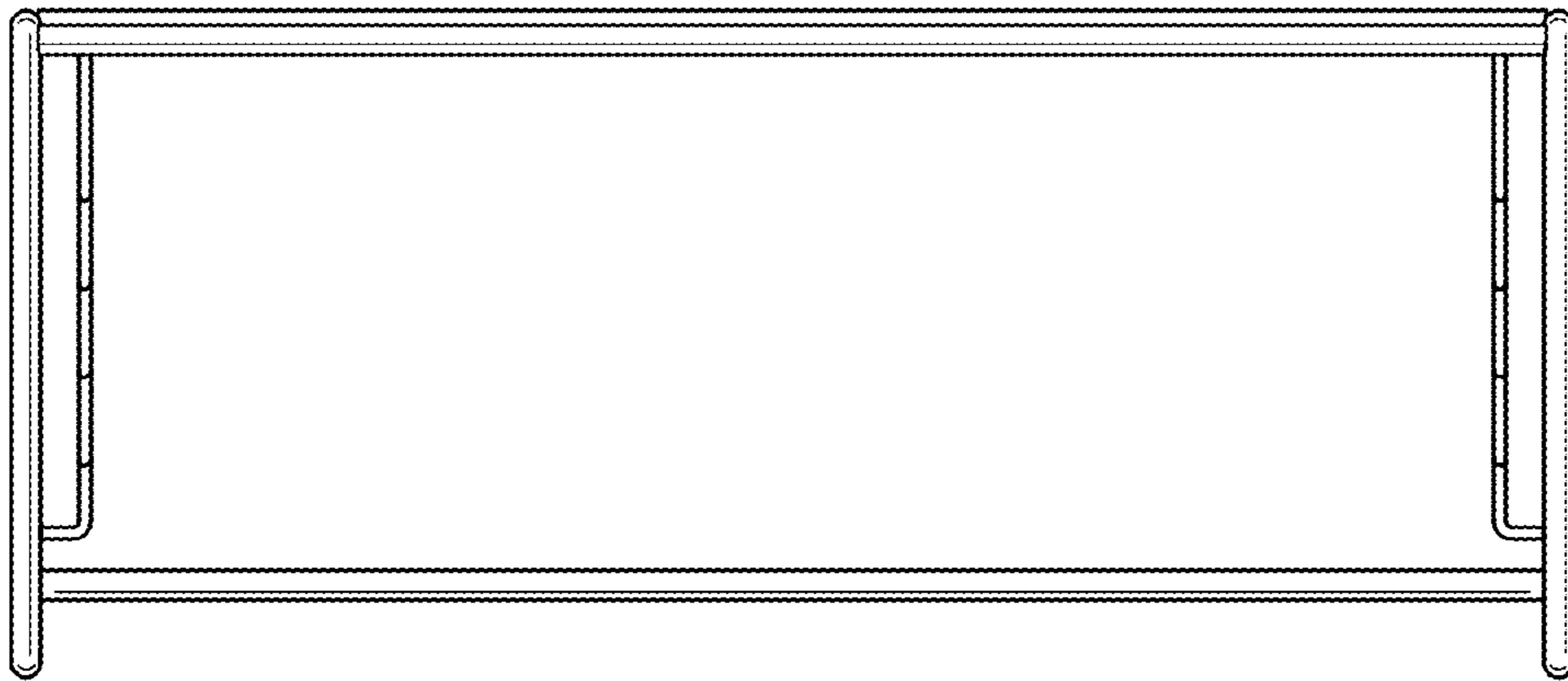


Fig. 6

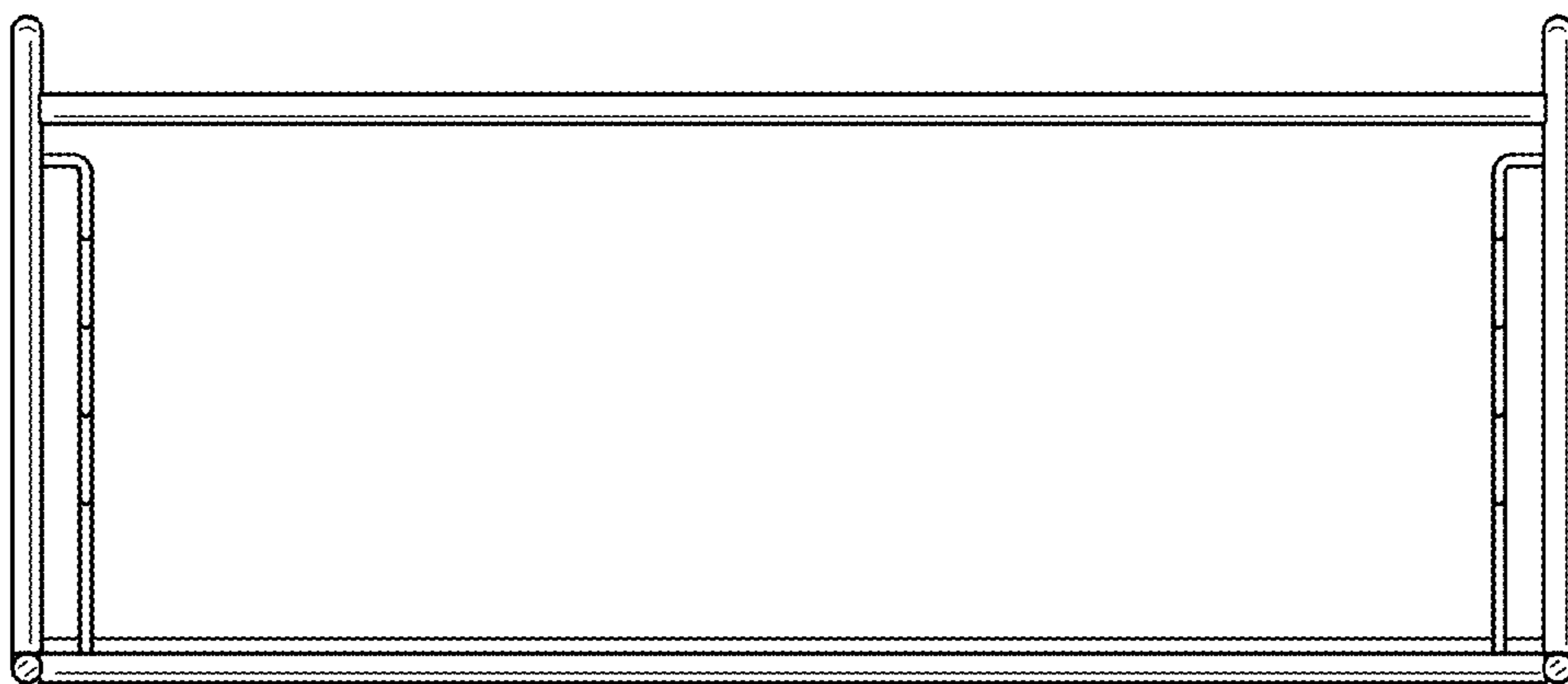


Fig. 7