



US00D713876S

(12) **United States Design Patent**
Bonacina et al.

(10) **Patent No.:** **US D713,876 S**

(45) **Date of Patent:** **** Sep. 23, 2014**

(54) **SPINDLE ASSEMBLY**

(56) **References Cited**

(71) Applicant: **Poppin Inc.**, New York, NY (US)

U.S. PATENT DOCUMENTS

(72) Inventors: **Matteo Bonacina**, Astoria, NY (US);
Won Sik Keum, New York, NY (US);
Jeffrey Frederick Miller, New York,
NY (US); **Francesca Pezze**, Brooklyn,
NY (US); **Michael Shuman**, New York,
NY (US)

1,560,120	A *	11/1925	Teed	242/118.62
4,068,808	A *	1/1978	King	242/118.4
4,726,538	A *	2/1988	Kovacik et al.	242/376
4,867,391	A *	9/1989	Resch	242/118.5
5,103,528	A *	4/1992	Olson et al.	16/2.2
D379,474	S *	5/1997	Packard	D19/69
6,241,181	B1 *	6/2001	Campbell	242/578
D517,900	S *	3/2006	Goldenberg et al.	D8/354
D557,409	S *	12/2007	Veliss et al.	D24/110.1
7,819,357	B2 *	10/2010	Fox et al.	242/573.9
D657,232	S *	4/2012	Stahl et al.	D8/354
D677,730	S *	3/2013	Yu Chen	D19/69
D701,901	S *	4/2014	Bonacina et al.	D19/69

(73) Assignee: **Poppin Inc.**, New York, NY (US)

(**) Term: **14 Years**

* cited by examiner

(21) Appl. No.: **29/486,524**

Primary Examiner — Austin Murphy

(22) Filed: **Mar. 31, 2014**

(74) *Attorney, Agent, or Firm* — K&L Gates LLP

Related U.S. Application Data

(63) Continuation of application No. 29/466,119, filed on
Sep. 4, 2013, now Pat. No. Des. 701,901.

(51) **LOC (10) Cl.** **19-02**

(52) **U.S. Cl.**
USPC **D19/69**

(58) **Field of Classification Search**
USPC D19/36, 70, 69, 68; D13/133, 146;
242/588.6, 588.3, 588.2; 225/77, 6, 56,
225/69, 26, 25, 19, 11; 206/411; 156/577,
156/527, 523

See application file for complete search history.

(57) **CLAIM**

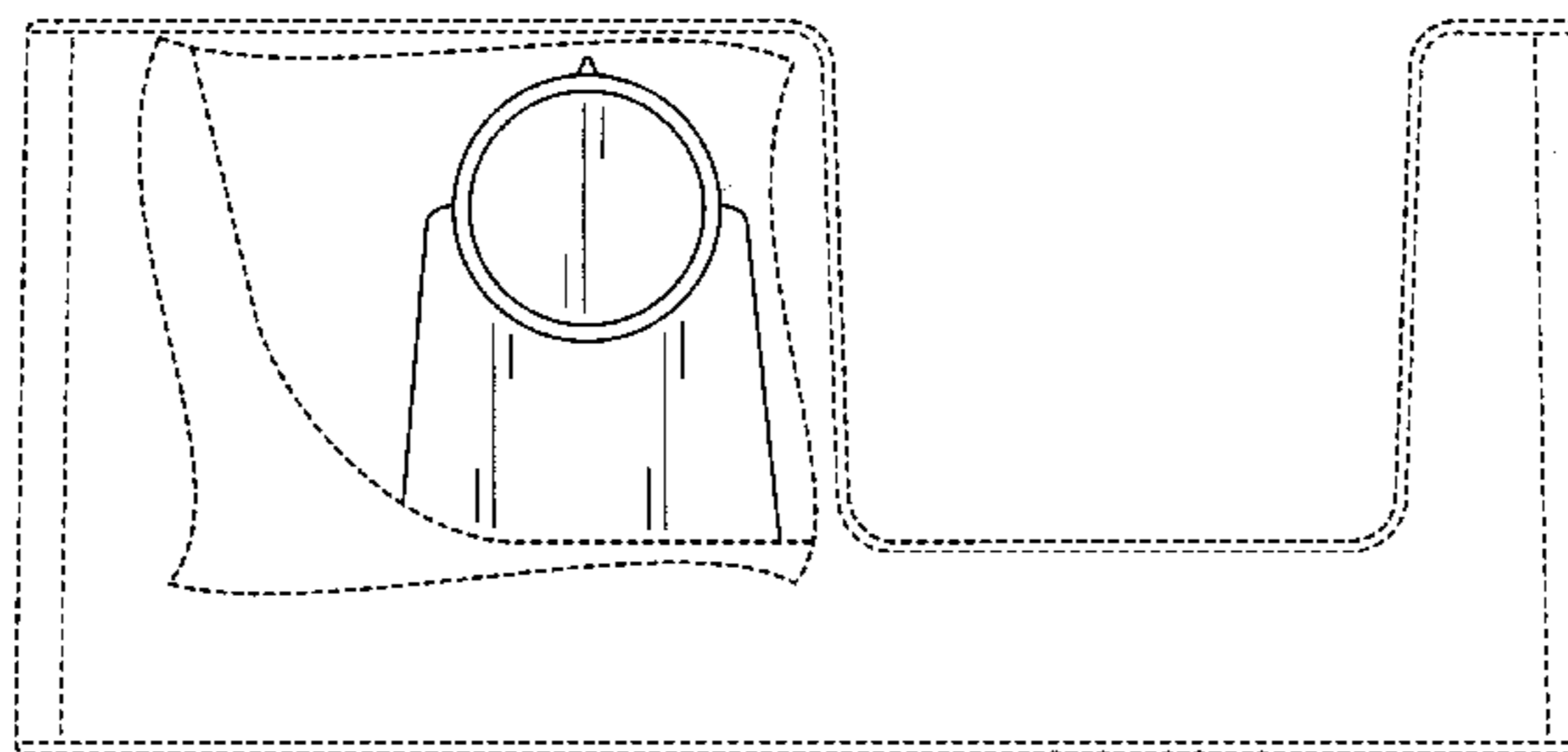
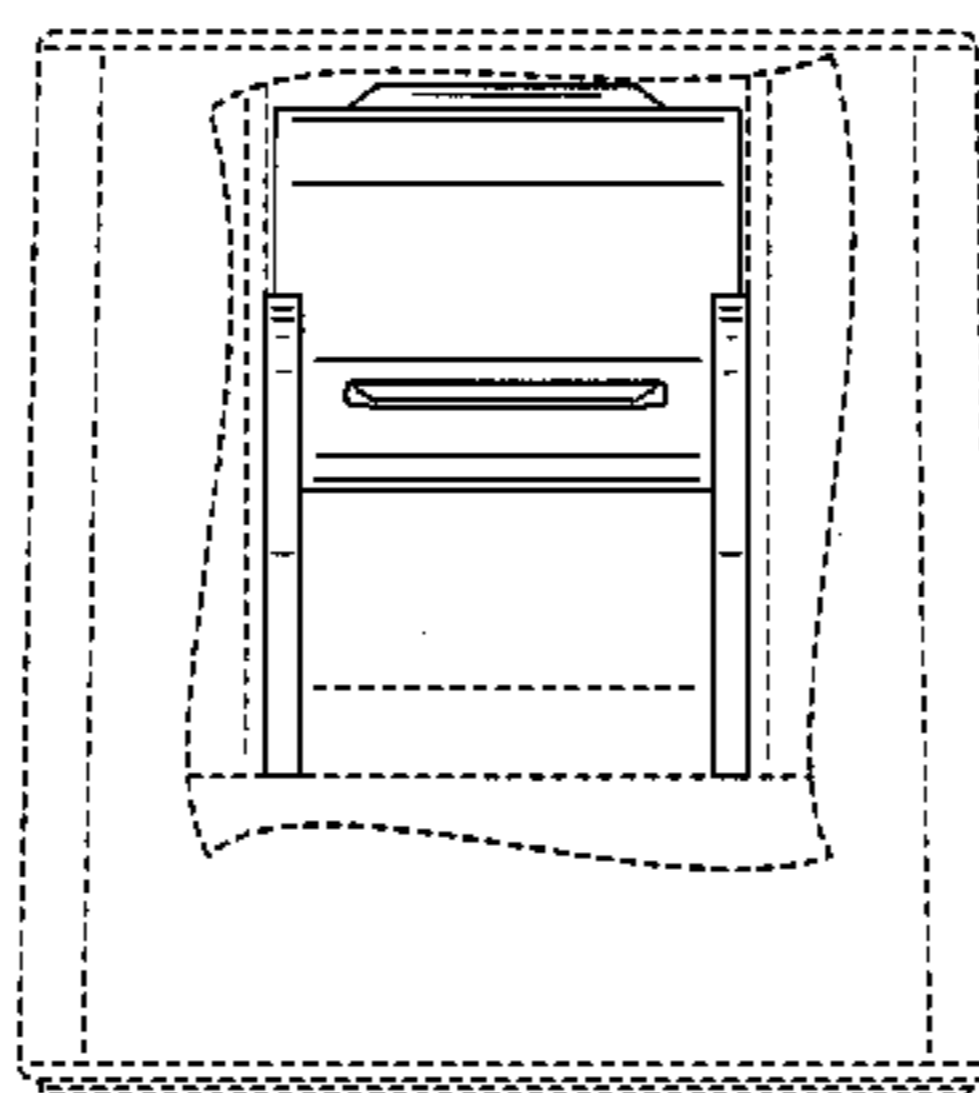
The ornamental design for a spindle assembly, as shown and
described.

DESCRIPTION

FIG. 1 is a perspective view of a spindle assembly;
FIG. 2 is a front elevation view thereof;
FIG. 3 is a rear elevation view thereof;
FIG. 4 is a left side elevation view thereof;
FIG. 5 is a right side elevation view thereof;
FIG. 6 is a top plan view thereof; and,
FIG. 7 is a bottom plan view thereof.

The broken lines shown in the drawings form no part of the
claimed design.

1 Claim, 7 Drawing Sheets



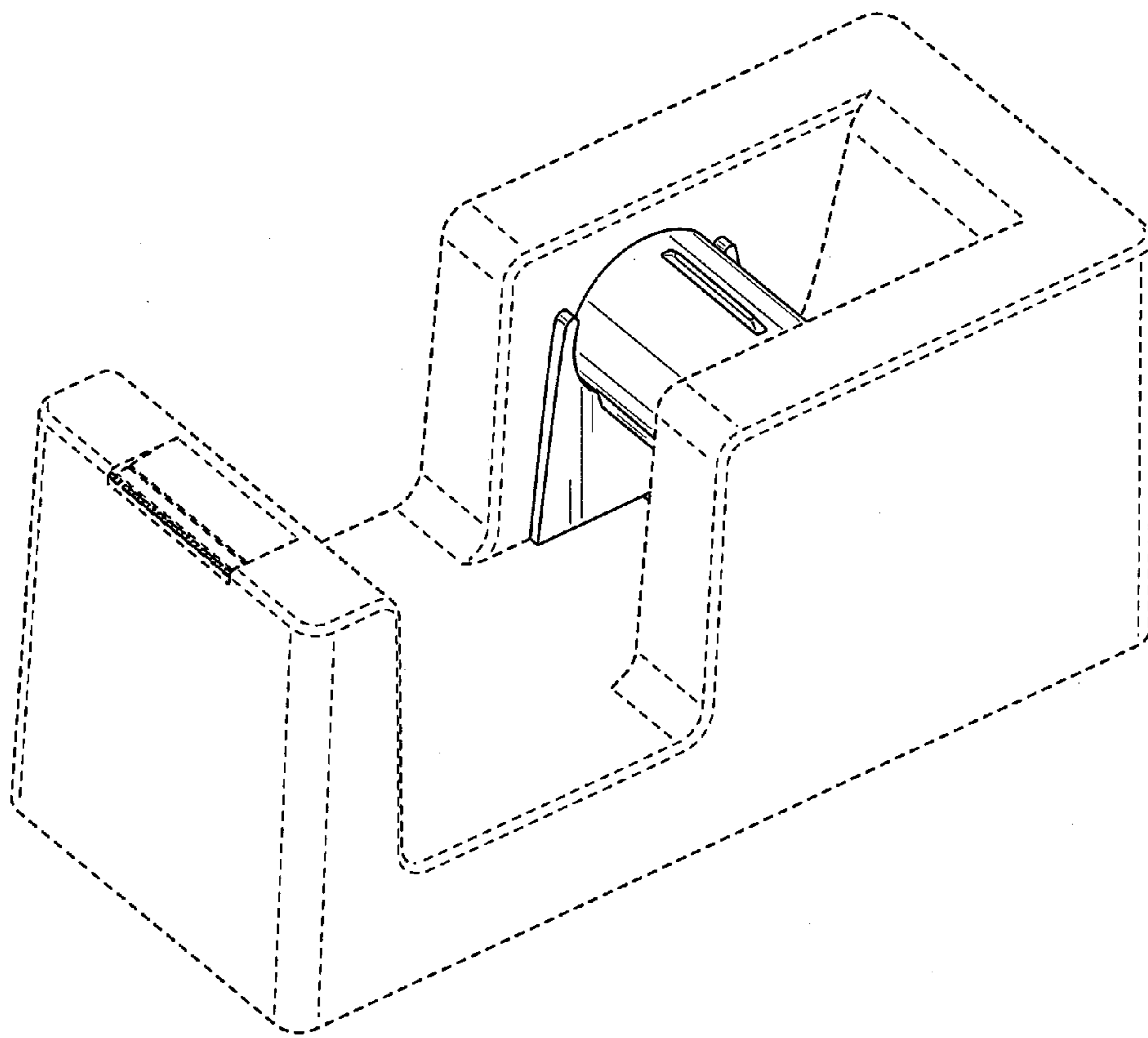


FIG. 1

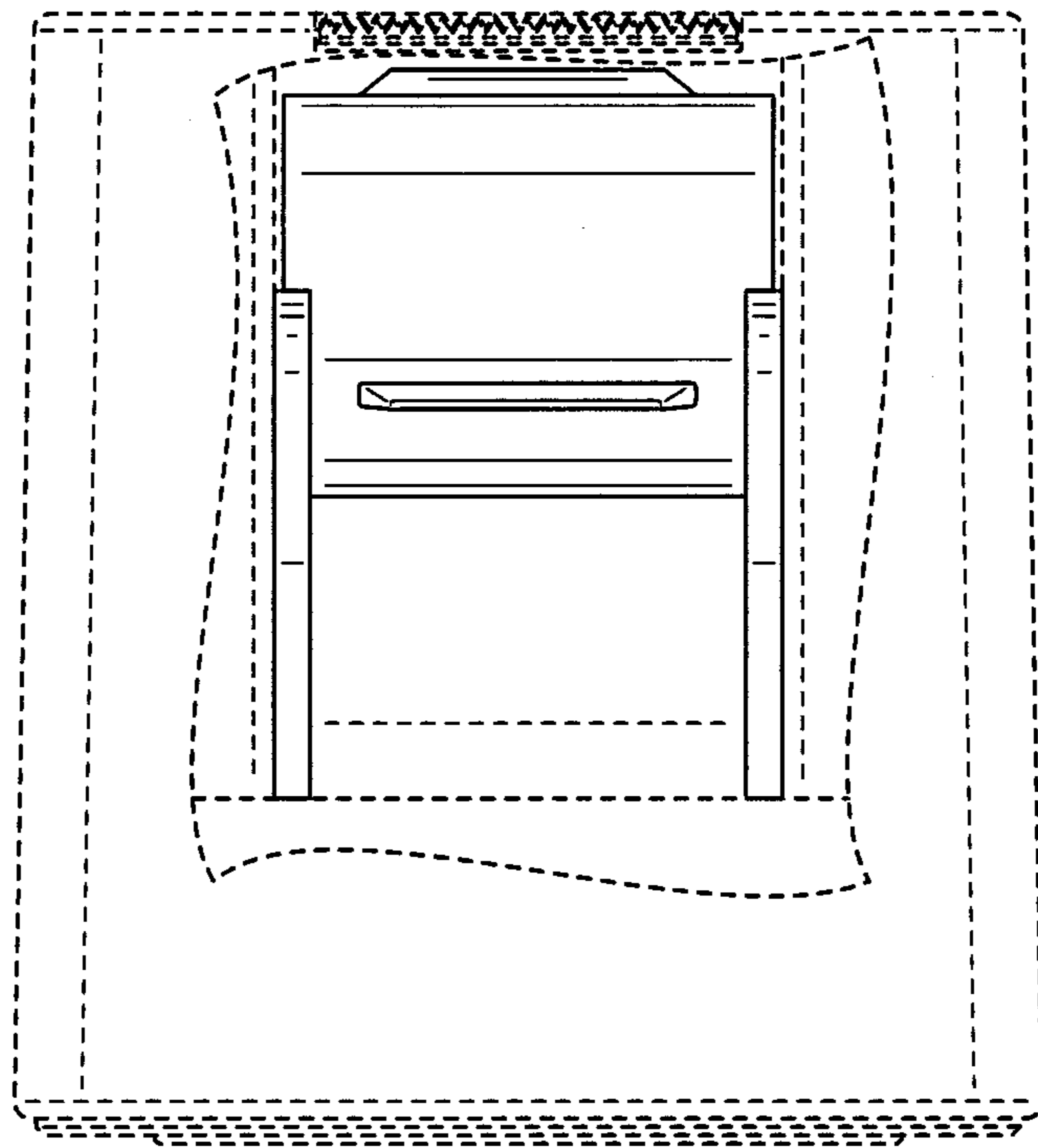


FIG. 2

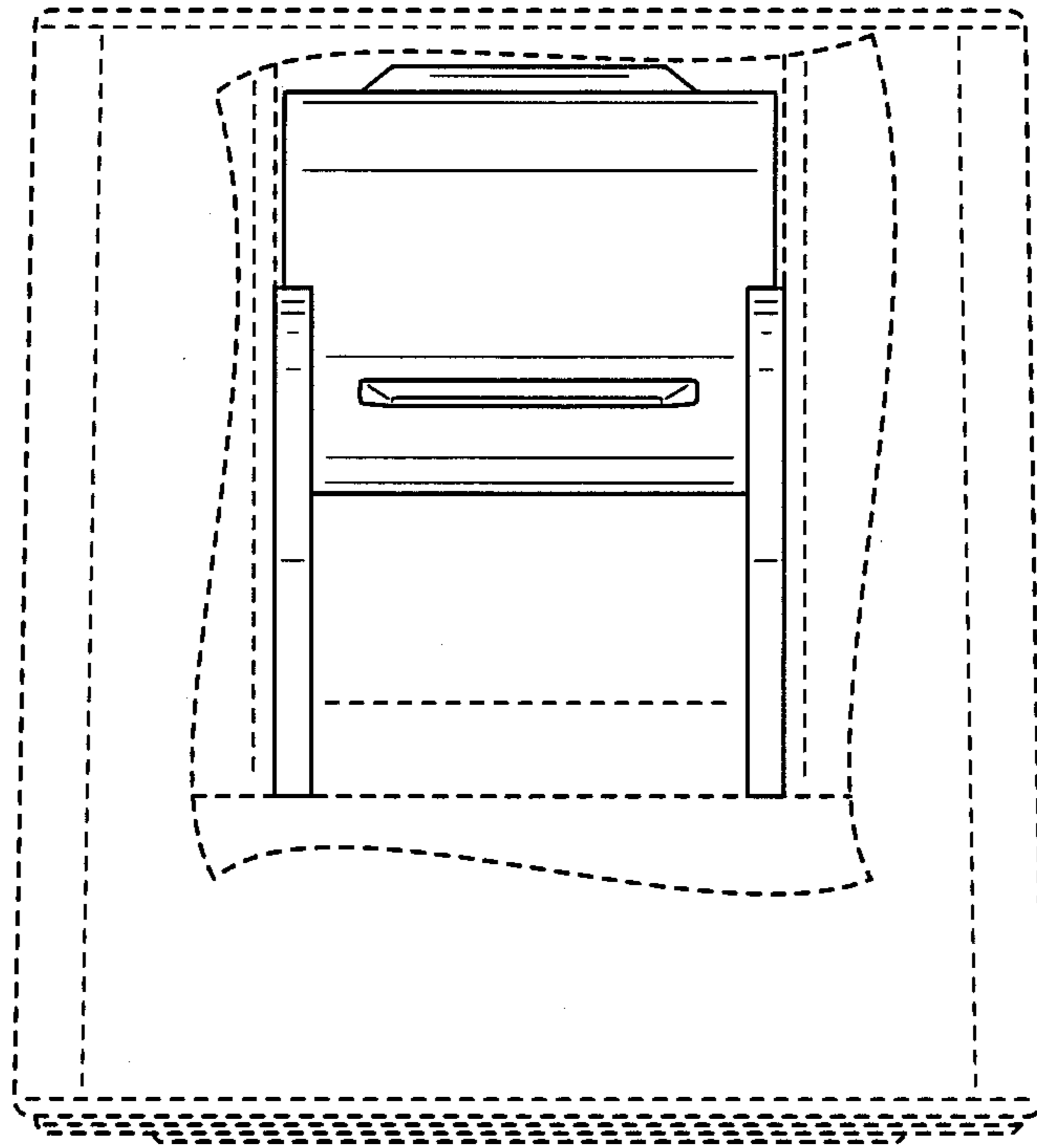


FIG. 3

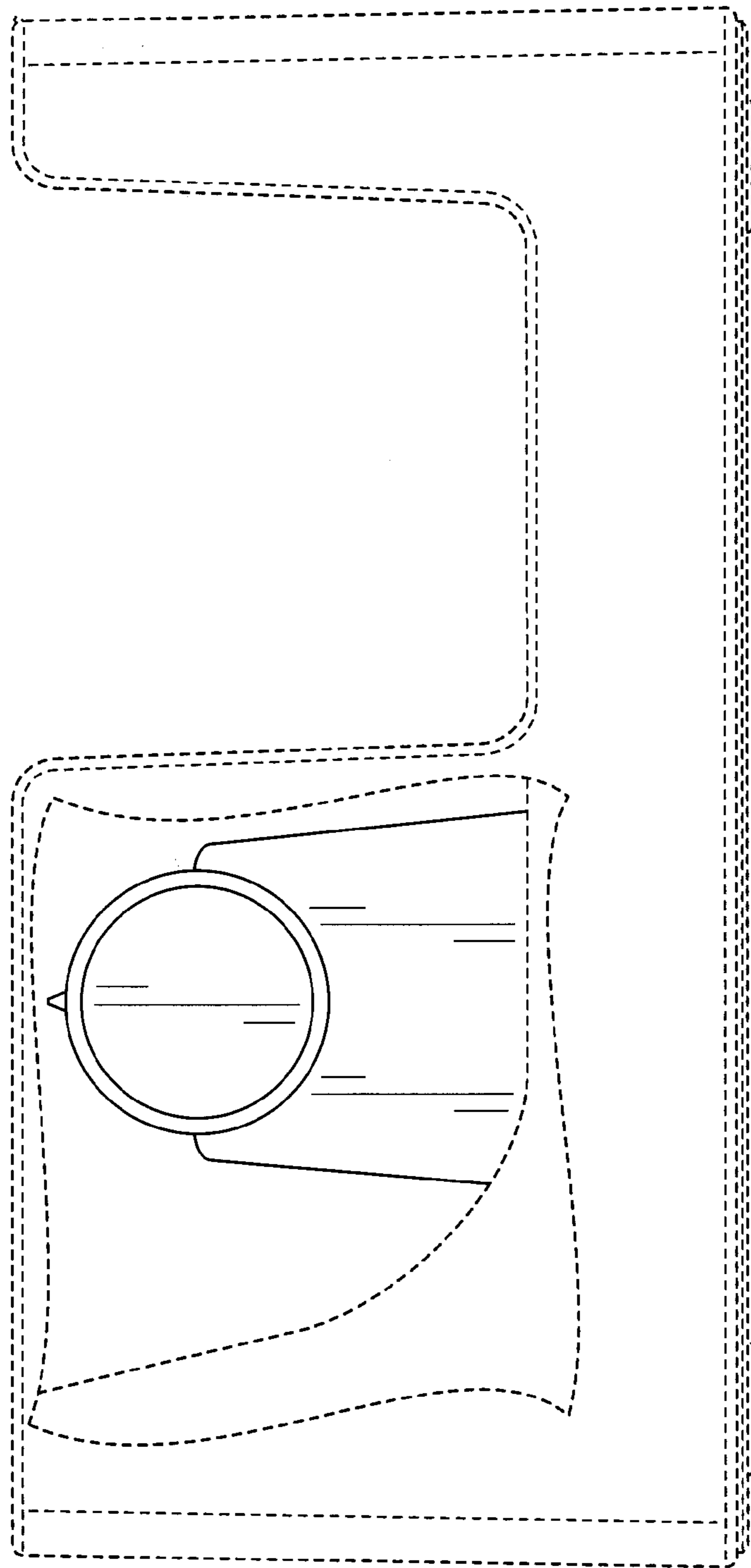


FIG. 4

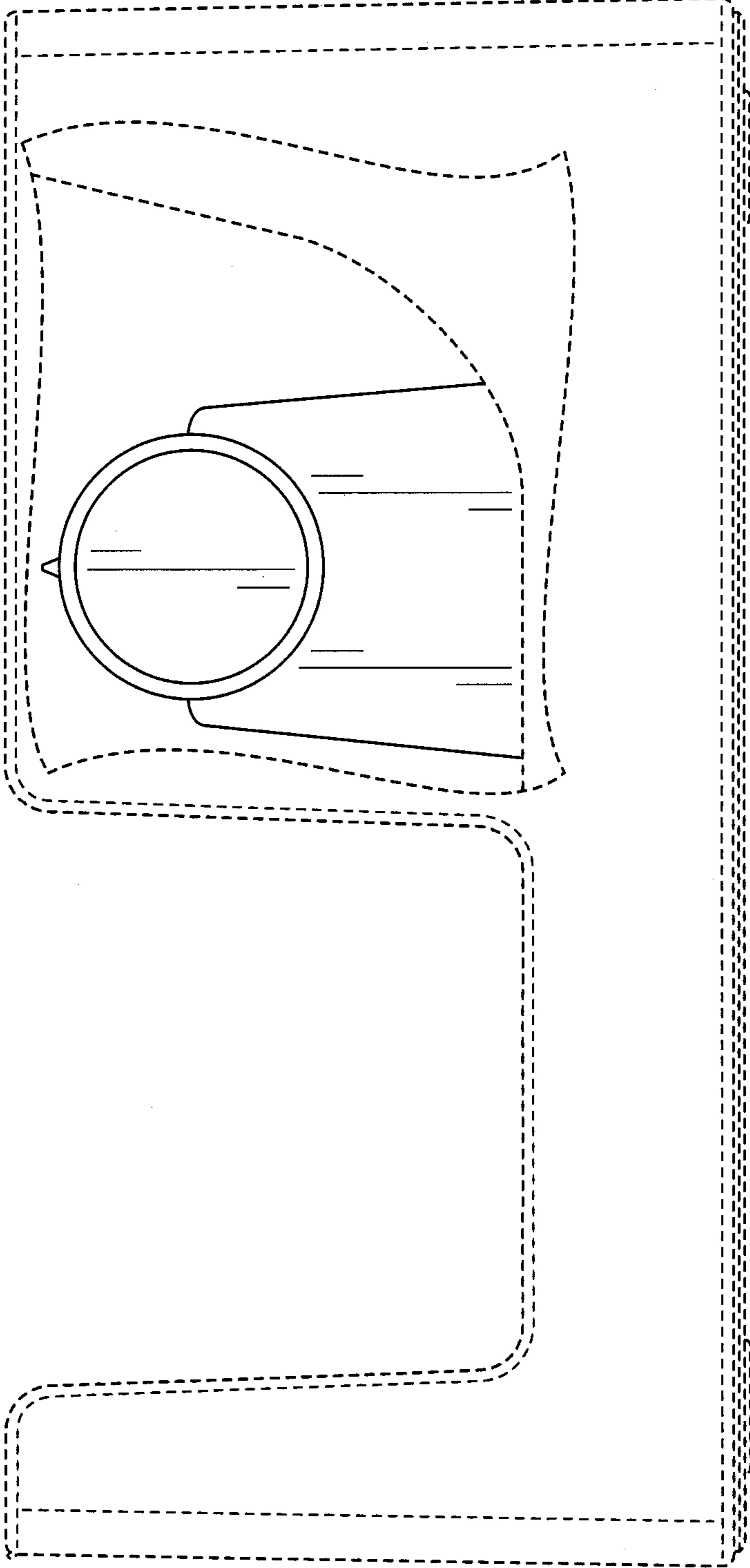


FIG. 5

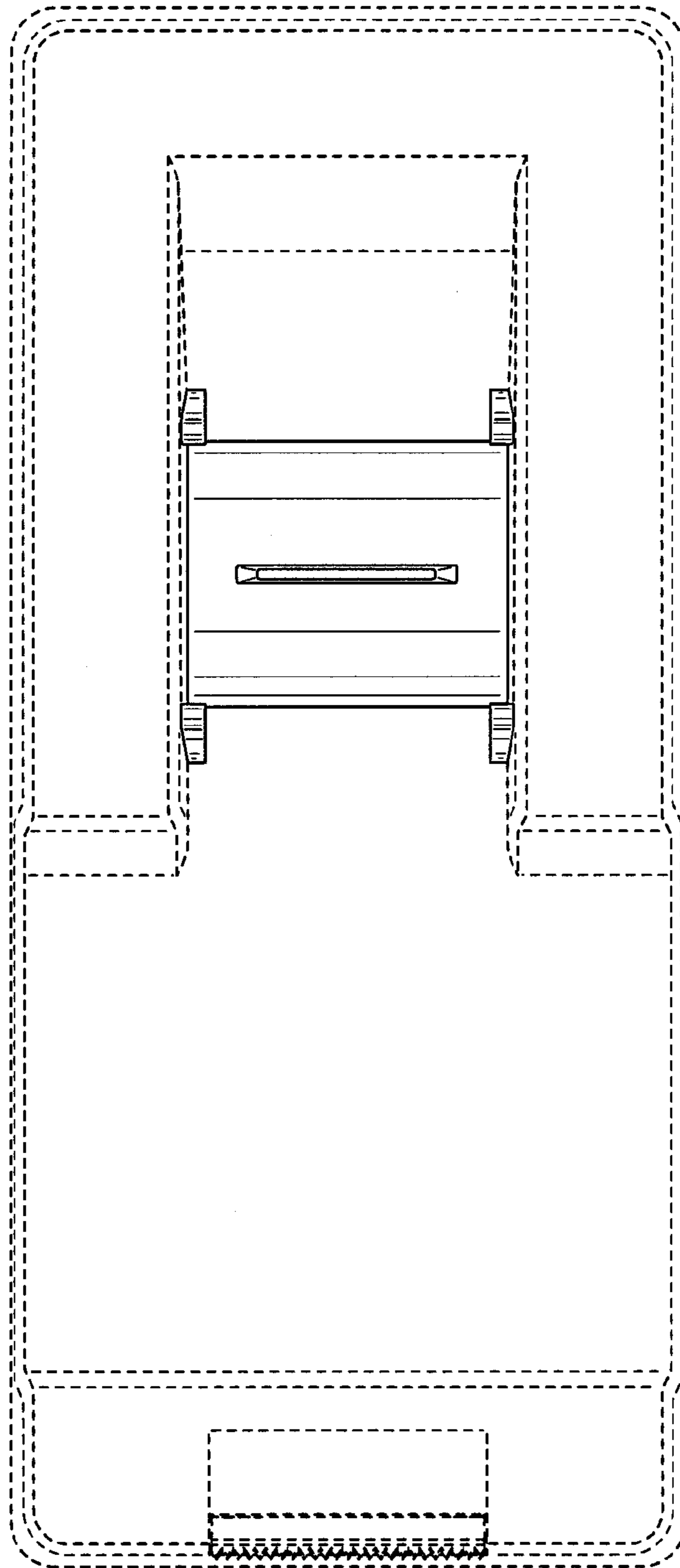


FIG. 6

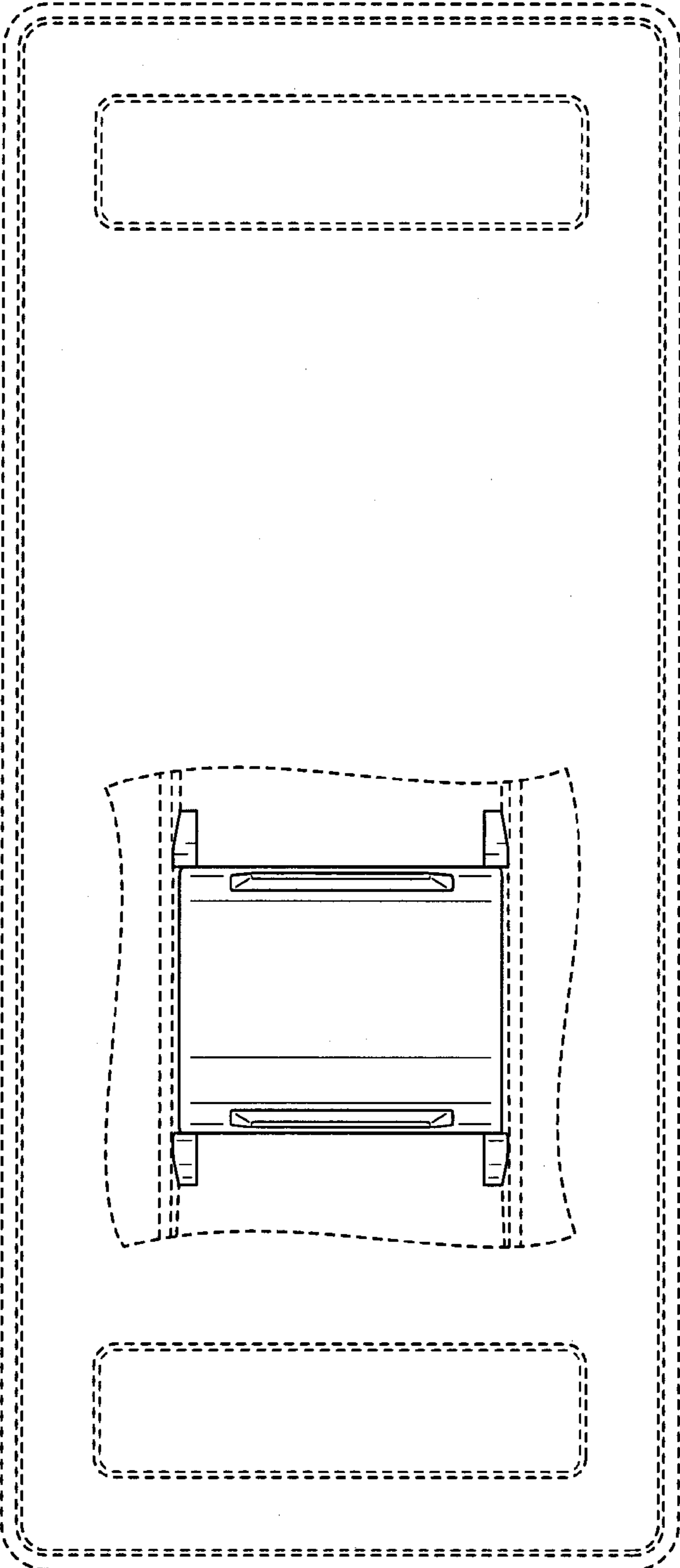


FIG. 7