



US00D713872S

(12) **United States Design Patent**
Otsubo et al.

(10) **Patent No.:** **US D713,872 S**
(45) **Date of Patent:** **** Sep. 23, 2014**

(54) **DRUM CARTRIDGE**

(71) Applicant: **Casio Keisanki Kabushiki Kaisha**,
Tokyo (JP)

(72) Inventors: **Hiroaki Otsubo**, Higashimurayama (JP);
Akihito Akaishi, Hino (JP); **Moriyuki**
Kouroku, Higashimurayama (JP)

(73) Assignees: **Casio Keisanki Kabushiki Kaisha**,
Tokyo (JP); **Casio Denshikougyou**
Kabushiki Kaisha, Saitama (JP)

(**) Term: **14 Years**

(21) Appl. No.: **29/464,214**

(22) Filed: **Aug. 14, 2013**

(30) **Foreign Application Priority Data**

Apr. 26, 2013 (JP) 2013-009650

(51) **LOC (10) Cl.** **16-03**

(52) **U.S. Cl.**
USPC **D18/43**

(58) **Field of Classification Search**

CPC G03G 15/0832; G03G 15/5016; G03G
15/50; G03G 2215/0668; B41J 29/393

USPC D18/12, 36, 40, 43, 44, 56; D14/471;
347/49, 50, 197, 222; 399/11, 106,
399/119, 120, 230, 258, 262; 222/DIG. 1

See application file for complete search history.

(56) **References Cited**

U.S. PATENT DOCUMENTS

D367,880 S * 3/1996 Miyamoto D18/43
D415,191 S * 10/1999 Okada D18/43

(Continued)

Primary Examiner — Thomas Johannes

Assistant Examiner — Chelsea Sealey

(74) *Attorney, Agent, or Firm* — Holtz, Holtz, Goodman &
Chick PC

(57) **CLAIM**

The ornamental design for a drum cartridge, as shown and described.

DESCRIPTION

FIG. 1 is a front, right side, top perspective view of a drum cartridge showing our new design;

FIG. 2 is a rear, left side, top perspective view thereof;

FIG. 3 is a front elevational view thereof;

FIG. 4 is a rear elevational view thereof;

FIG. 5 is a left side view thereof;

FIG. 6 is a right side view thereof;

FIG. 7 is a top plan view thereof;

FIG. 8 is a bottom plan view thereof;

FIG. 9 is an enlarged view of the portion within the broken-line box 9 shown in FIG. 3 thereof;

FIG. 10 is an enlarged view of the portion within the broken-line box 10 shown in FIG. 3 thereof;

FIG. 11 is an enlarged view of the portion within the broken-line box 11 shown in FIG. 4 thereof;

FIG. 12 is an enlarged view of the portion within the broken-line box 12 shown in FIG. 4 thereof;

FIG. 13 is an enlarged left side view thereof;

FIG. 14 is an enlarged right side view thereof;

FIG. 15 is an enlarged view of the portion within the broken-line box 15 shown in FIG. 7 thereof;

FIG. 16 is an enlarged view of the portion within the broken-line box 16 shown in FIG. 7 thereof;

FIG. 17 is an enlarged view of the portion within the broken-line box 17 shown in FIG. 8 thereof;

FIG. 18 is an enlarged view of the portion within the broken-line box 18 shown in FIG. 8 thereof;

FIG. 19 is an enlarged view of the portion within the broken-line box 19 shown in FIG. 1 thereof;

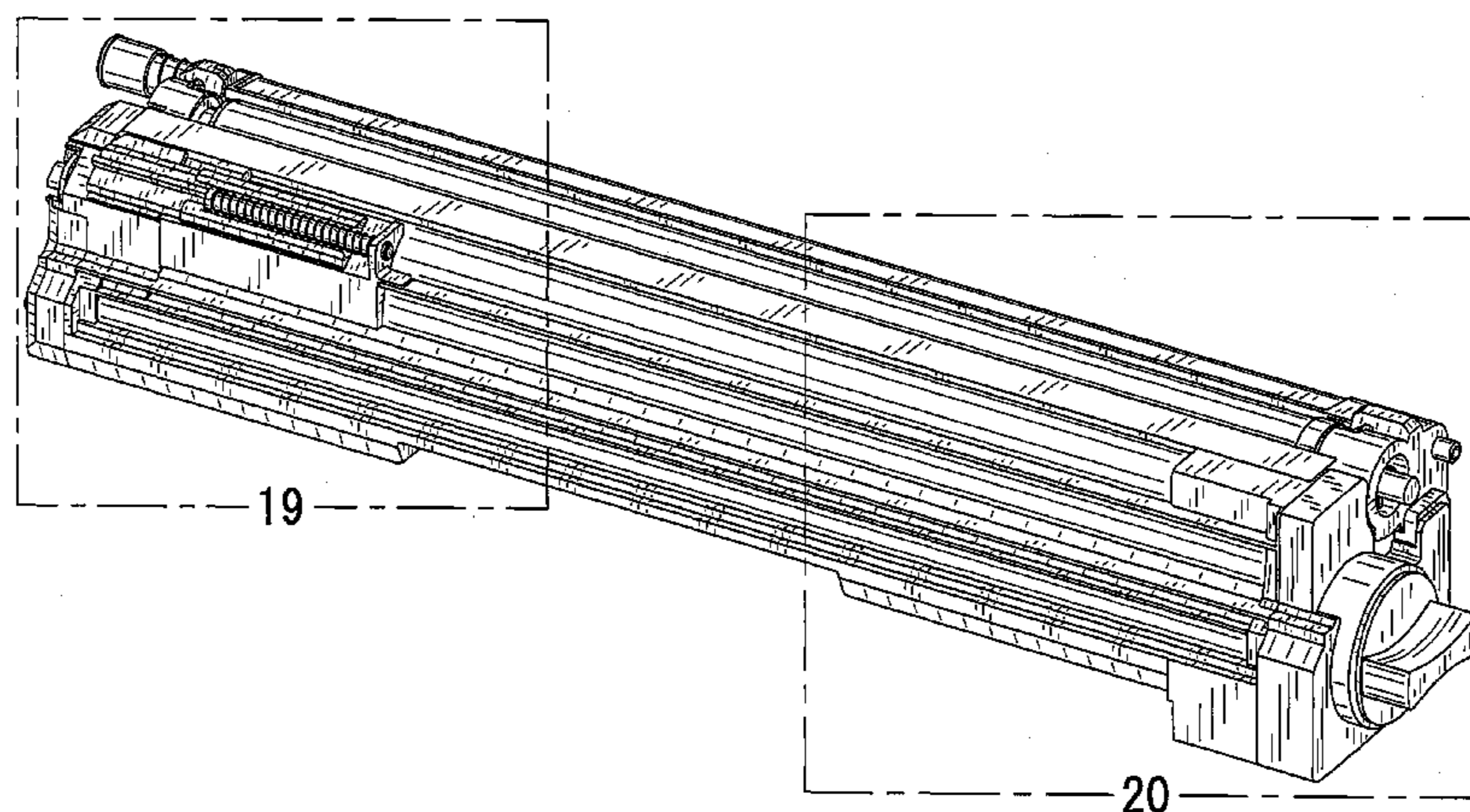
FIG. 20 is an enlarged view of the portion within the broken-line box 20 shown in FIG. 1 thereof;

FIG. 21 is an enlarged view of the portion within the broken-line box 21 shown in FIG. 2 thereof; and,

FIG. 22 is an enlarged view of the portion within the broken-line box 22 shown in FIG. 2 thereof.

The dot-dash broken-line boxes make reference to portions shown in enlargement views and form no part of the claimed design.

1 Claim, 21 Drawing Sheets



(56)

References Cited

U.S. PATENT DOCUMENTS

D462,984 S * 9/2002 Hayashi et al. D18/40
D474,804 S * 5/2003 Kubota et al. D18/40
D500,075 S * 12/2004 Okamoto et al. D18/43
D519,150 S * 4/2006 Kojima et al. D18/40

D598,491 S * 8/2009 Kusudo et al. D18/43
D633,137 S * 2/2011 Chadani et al. D18/43
D638,056 S * 5/2011 Kanno et al. D18/43
D638,057 S * 5/2011 Kanno et al. D18/43
D639,335 S * 6/2011 Kanno et al. D18/43

* cited by examiner

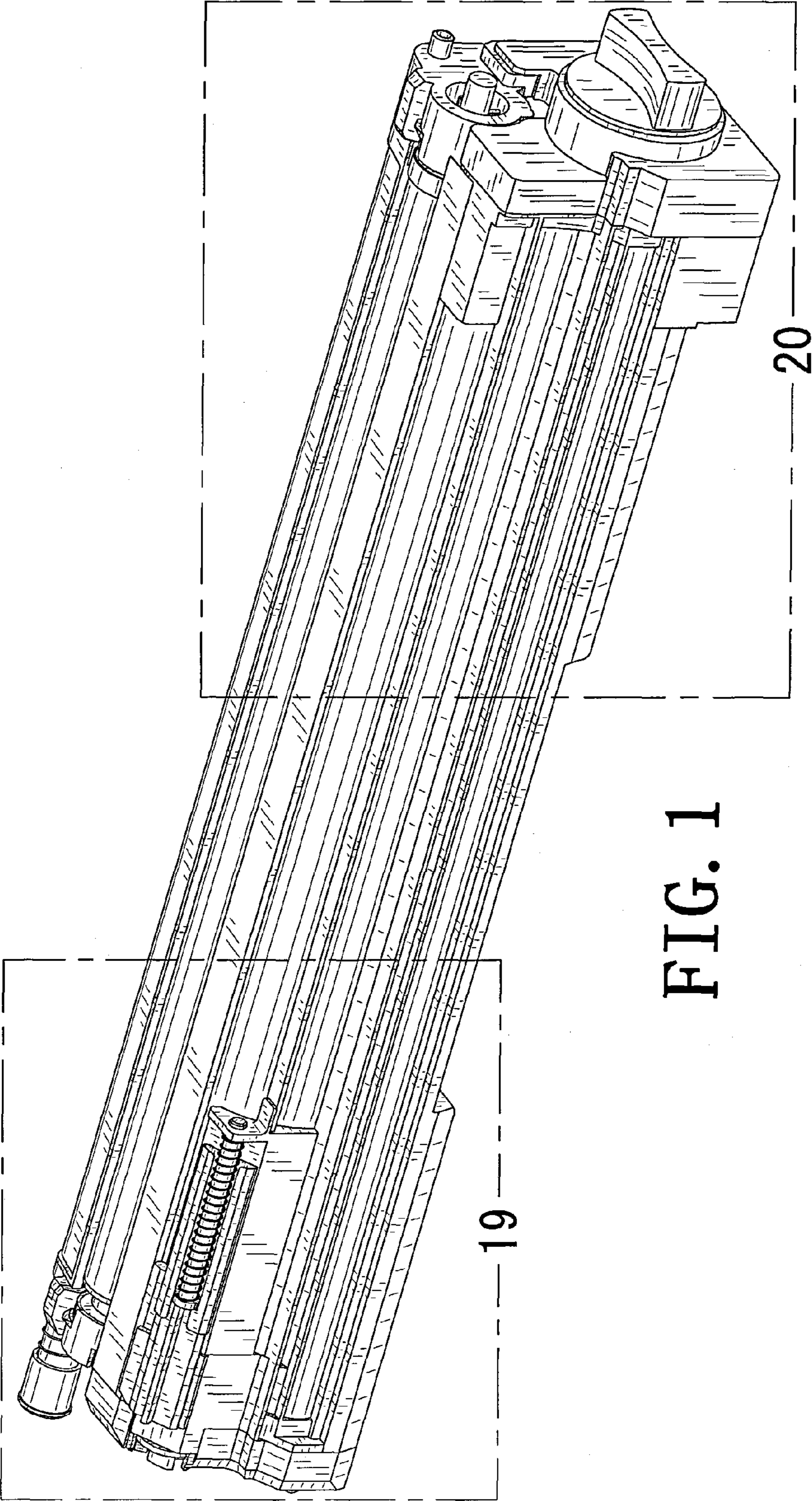


FIG. 1

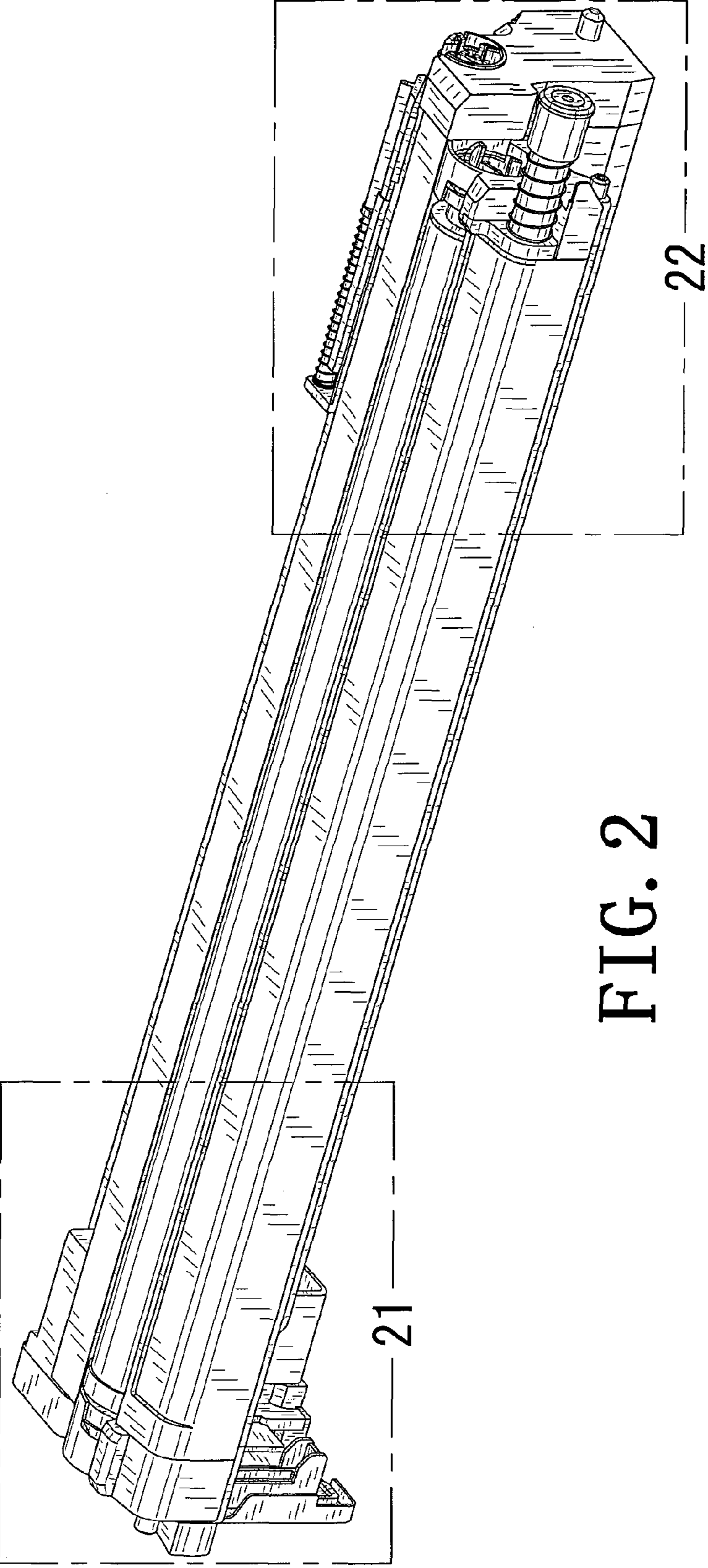


FIG. 2

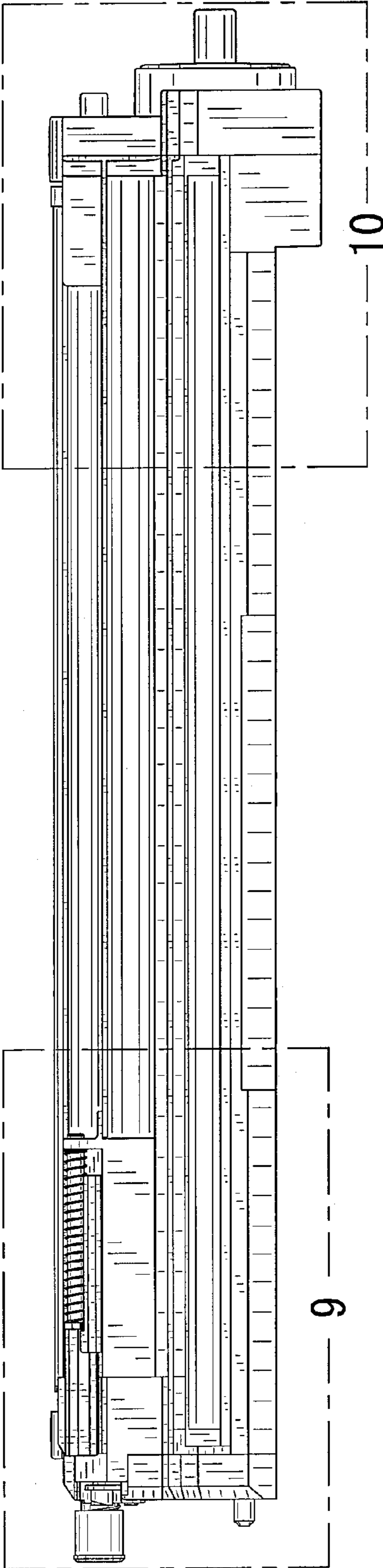


FIG. 3

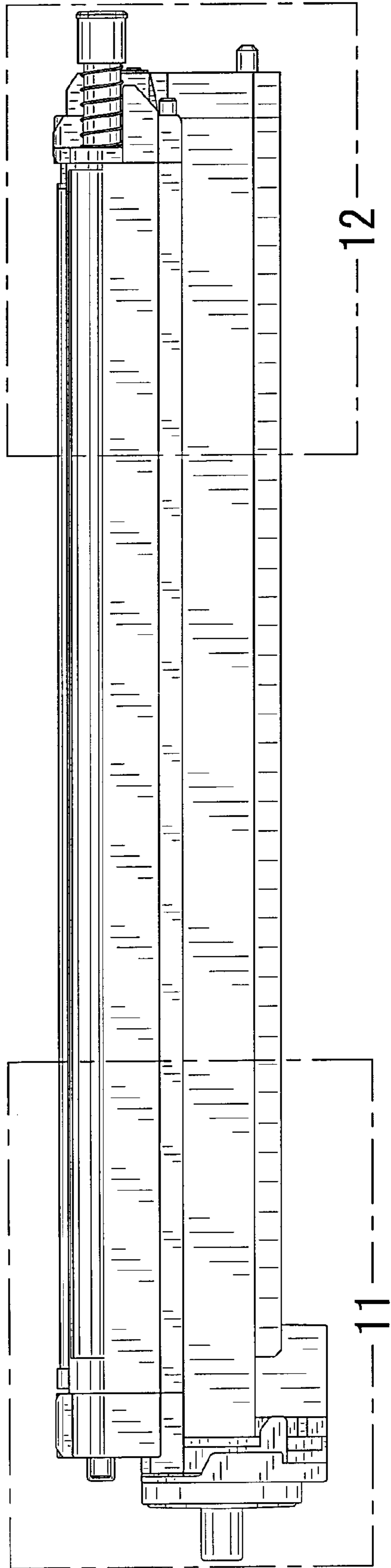


FIG. 4

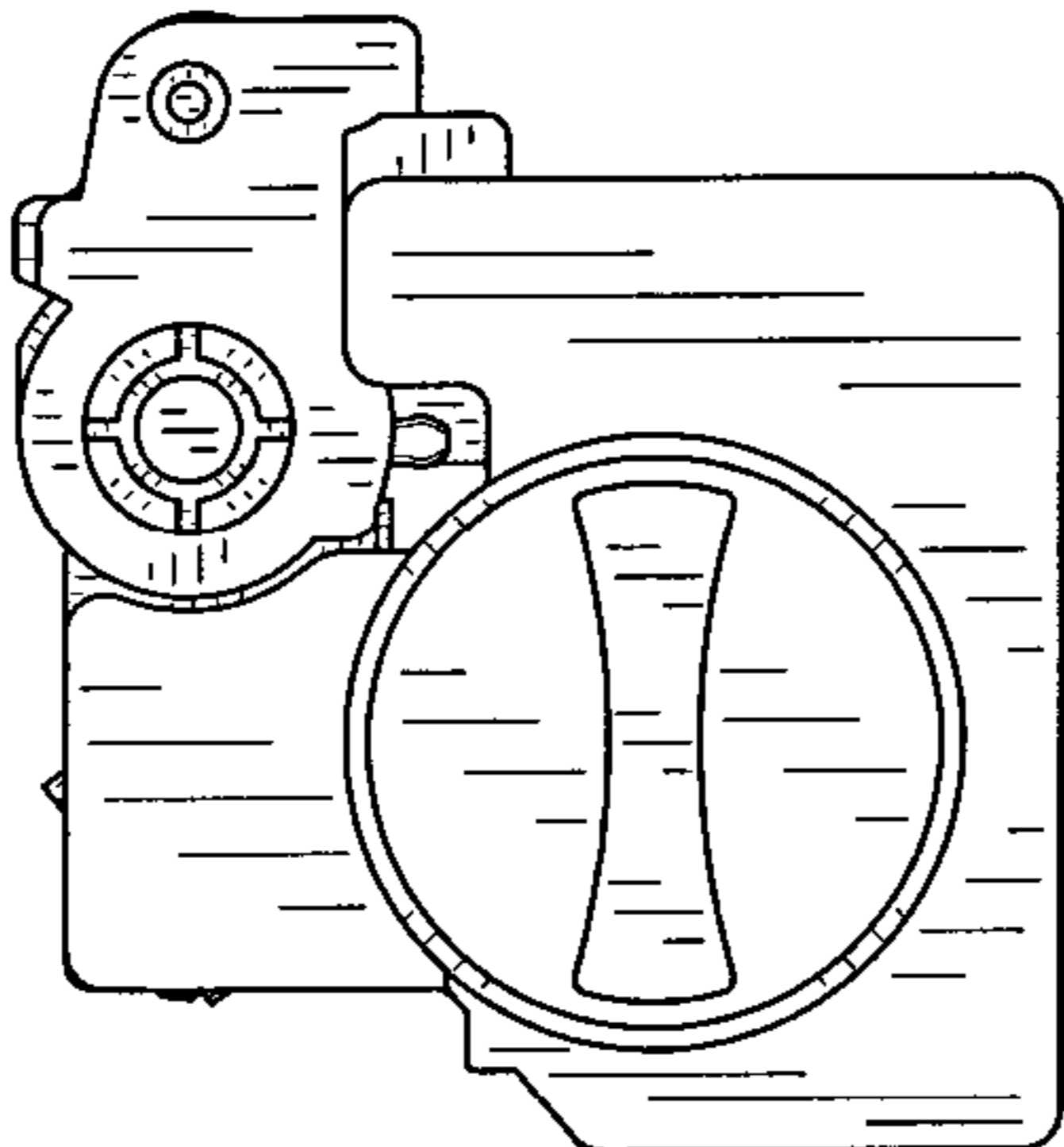


FIG. 6

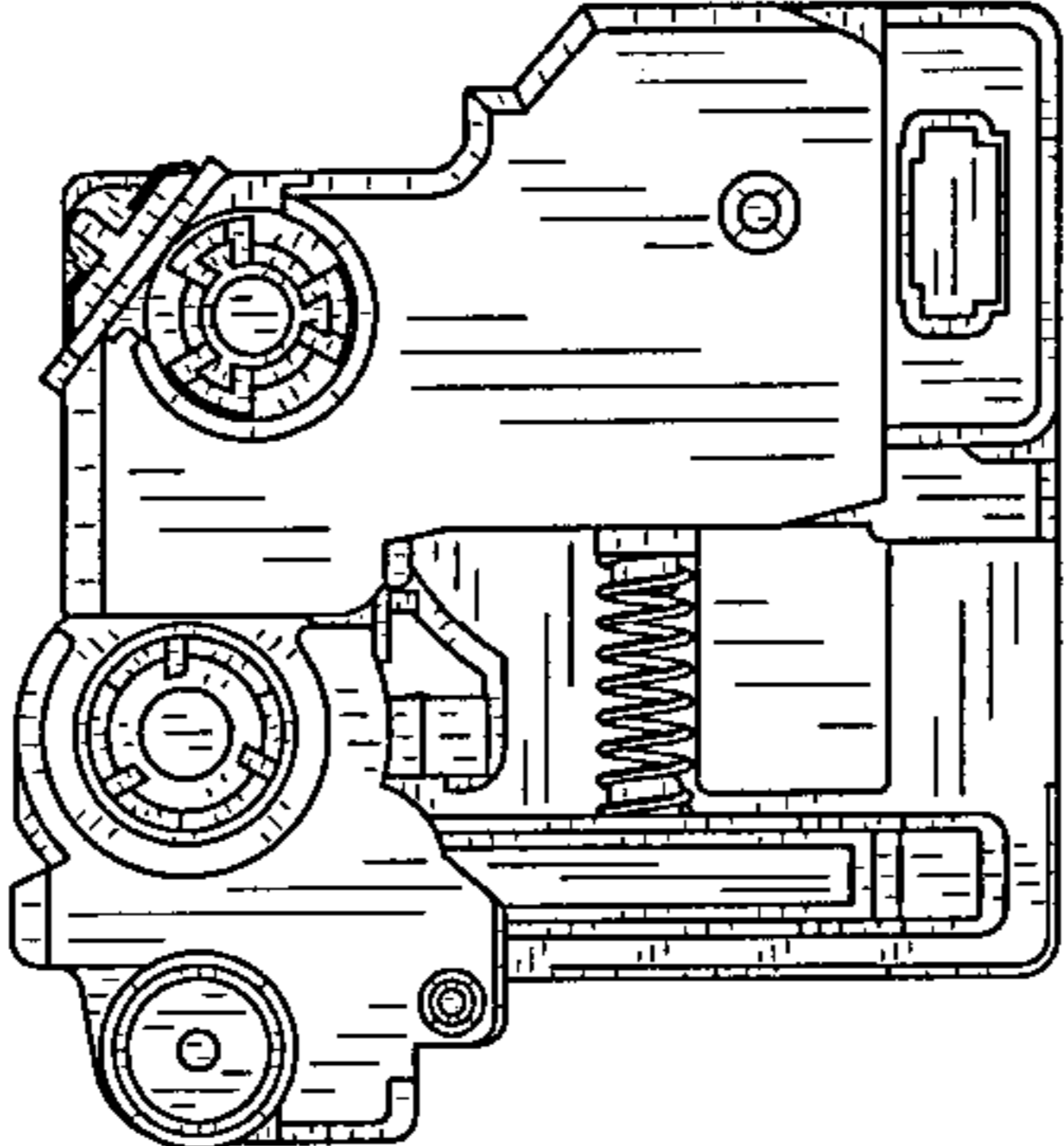


FIG. 5

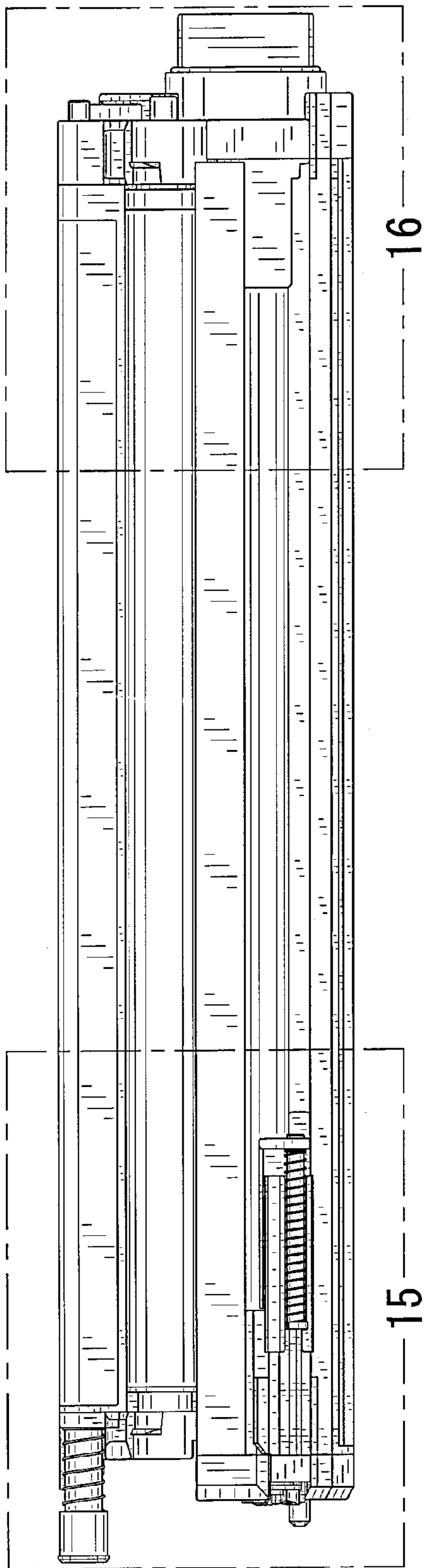


FIG. 7

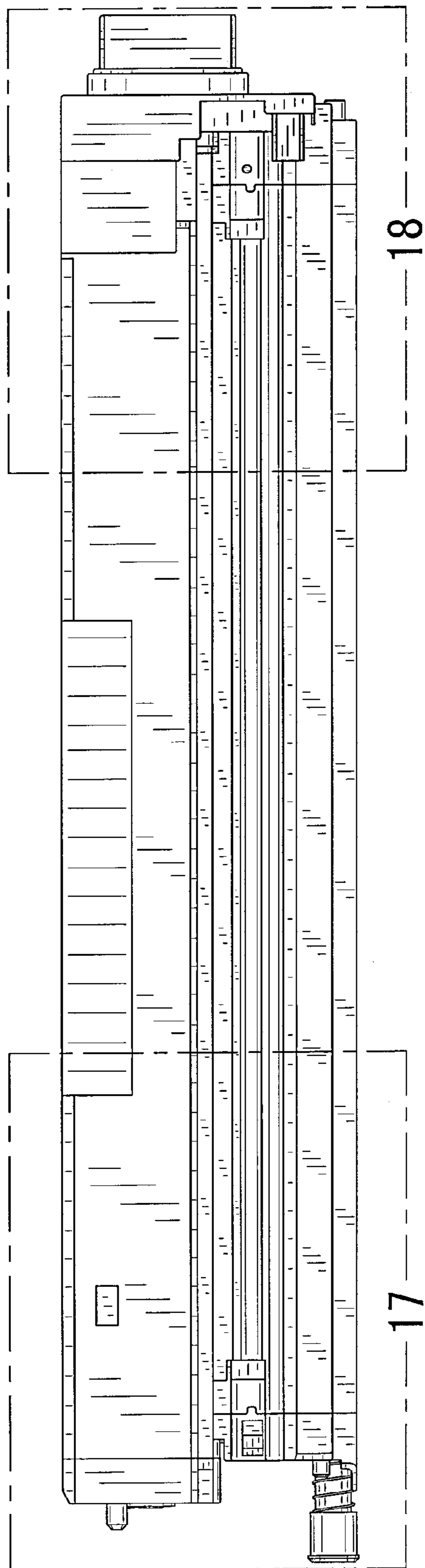


FIG. 8

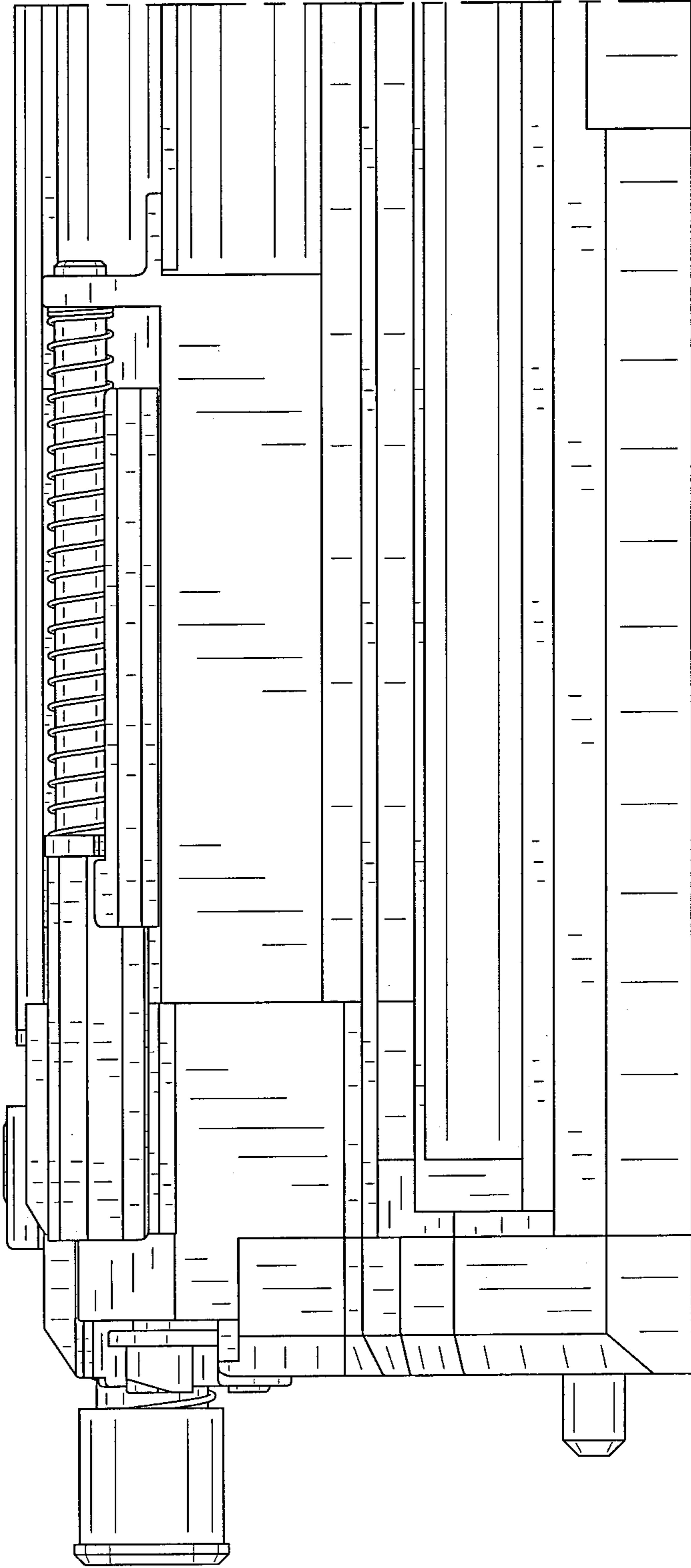


FIG. 9

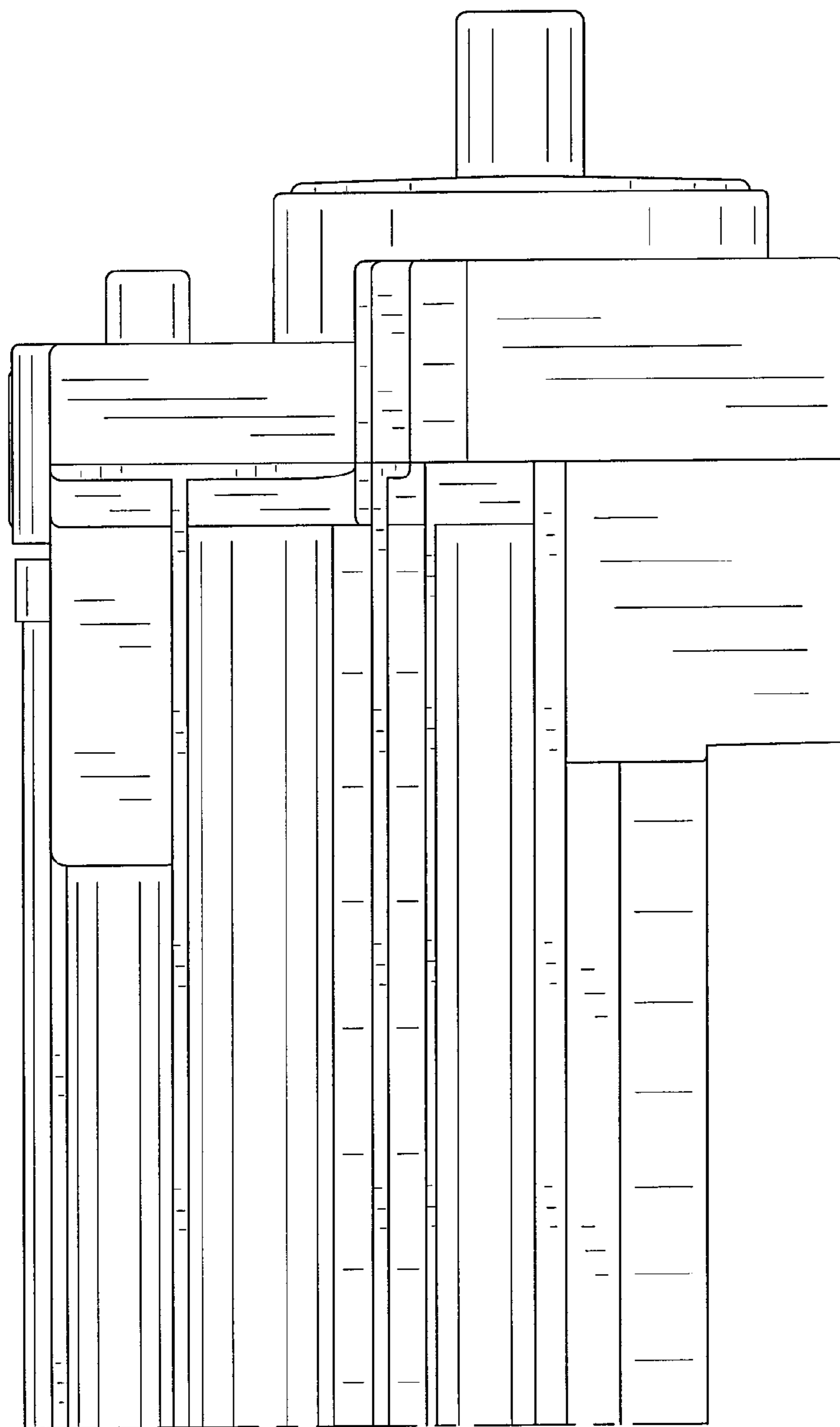


FIG. 10

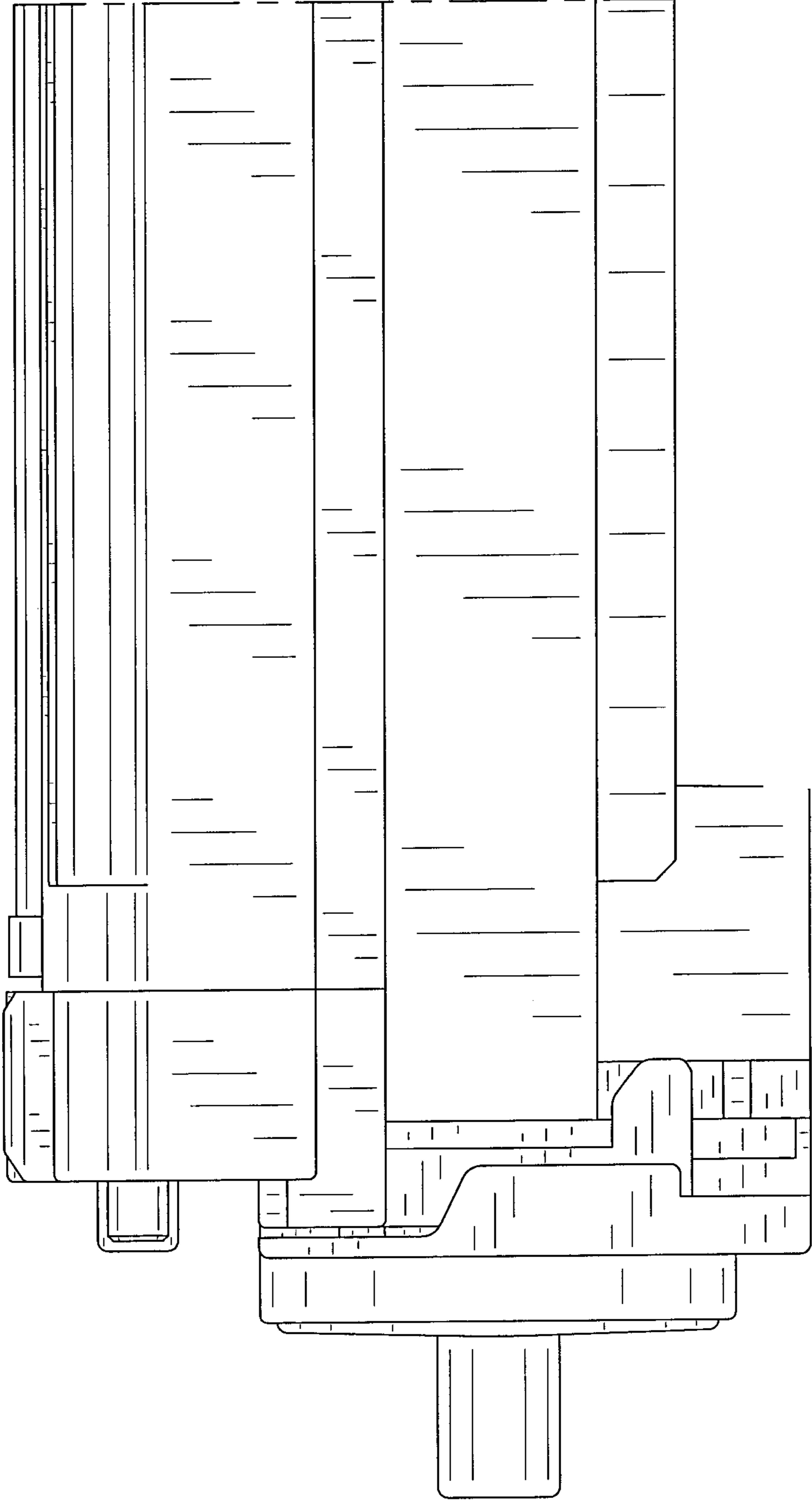


FIG. 11

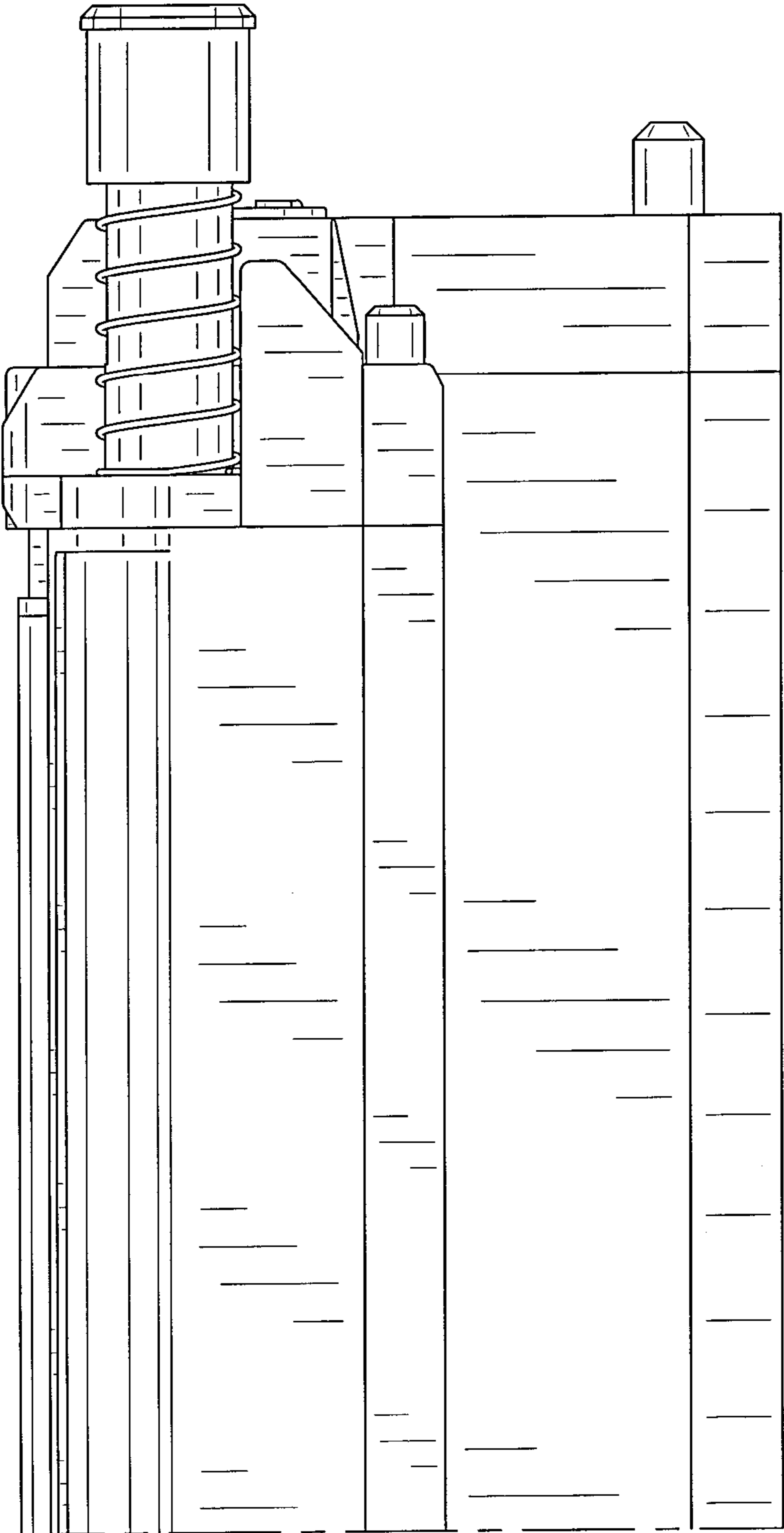


FIG. 12

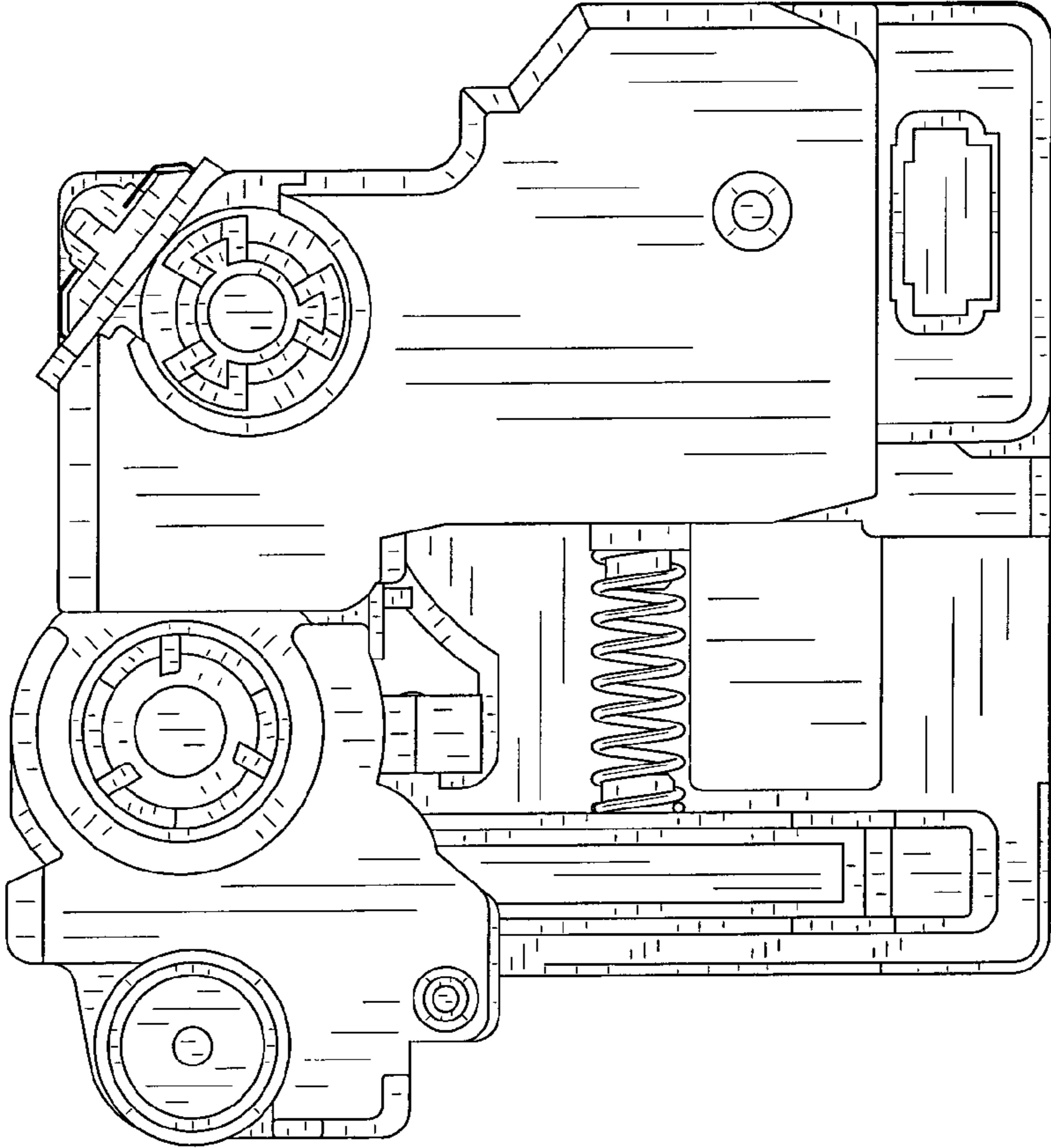


FIG. 13

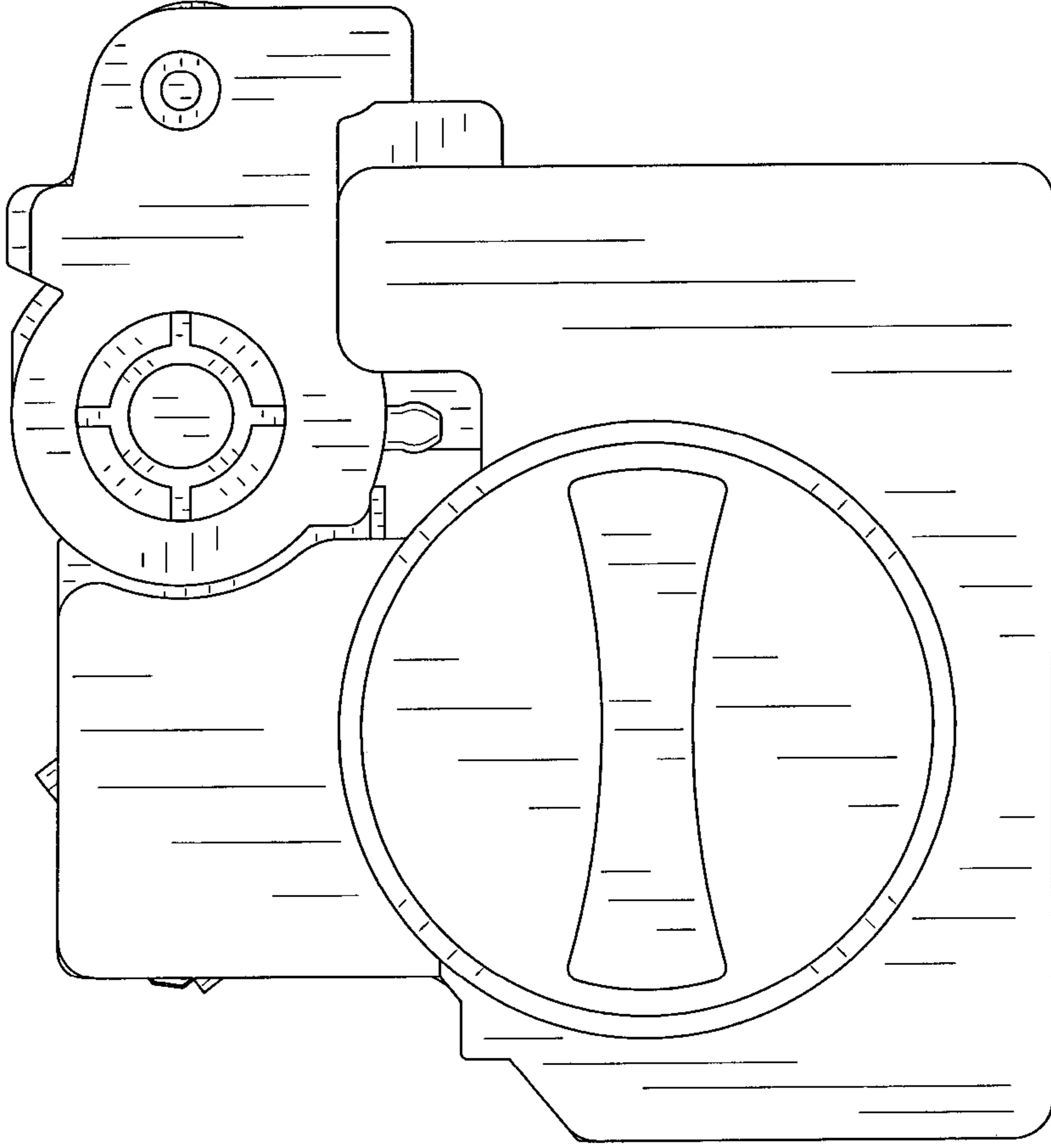


FIG. 14

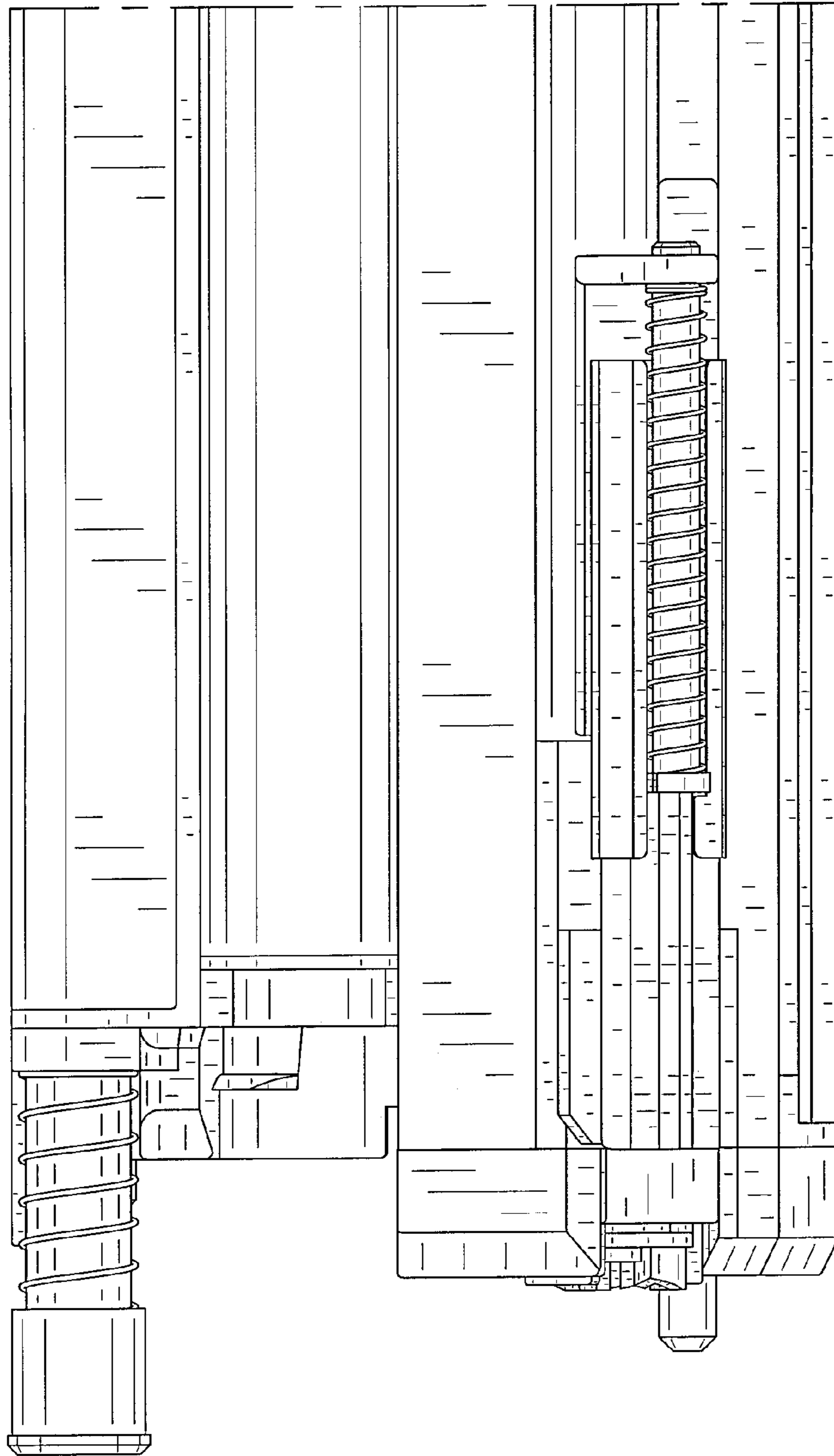


FIG. 15

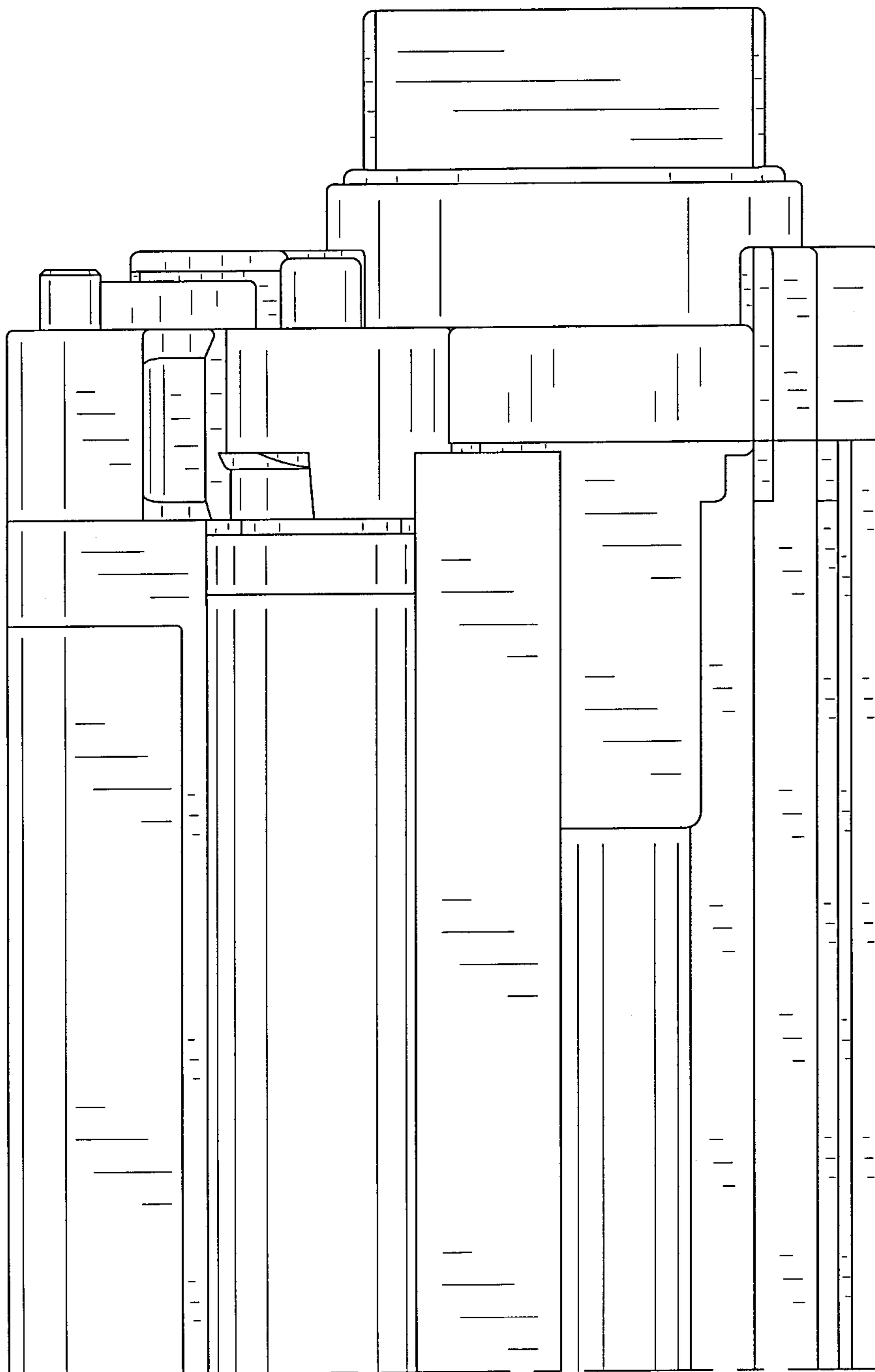


FIG. 16

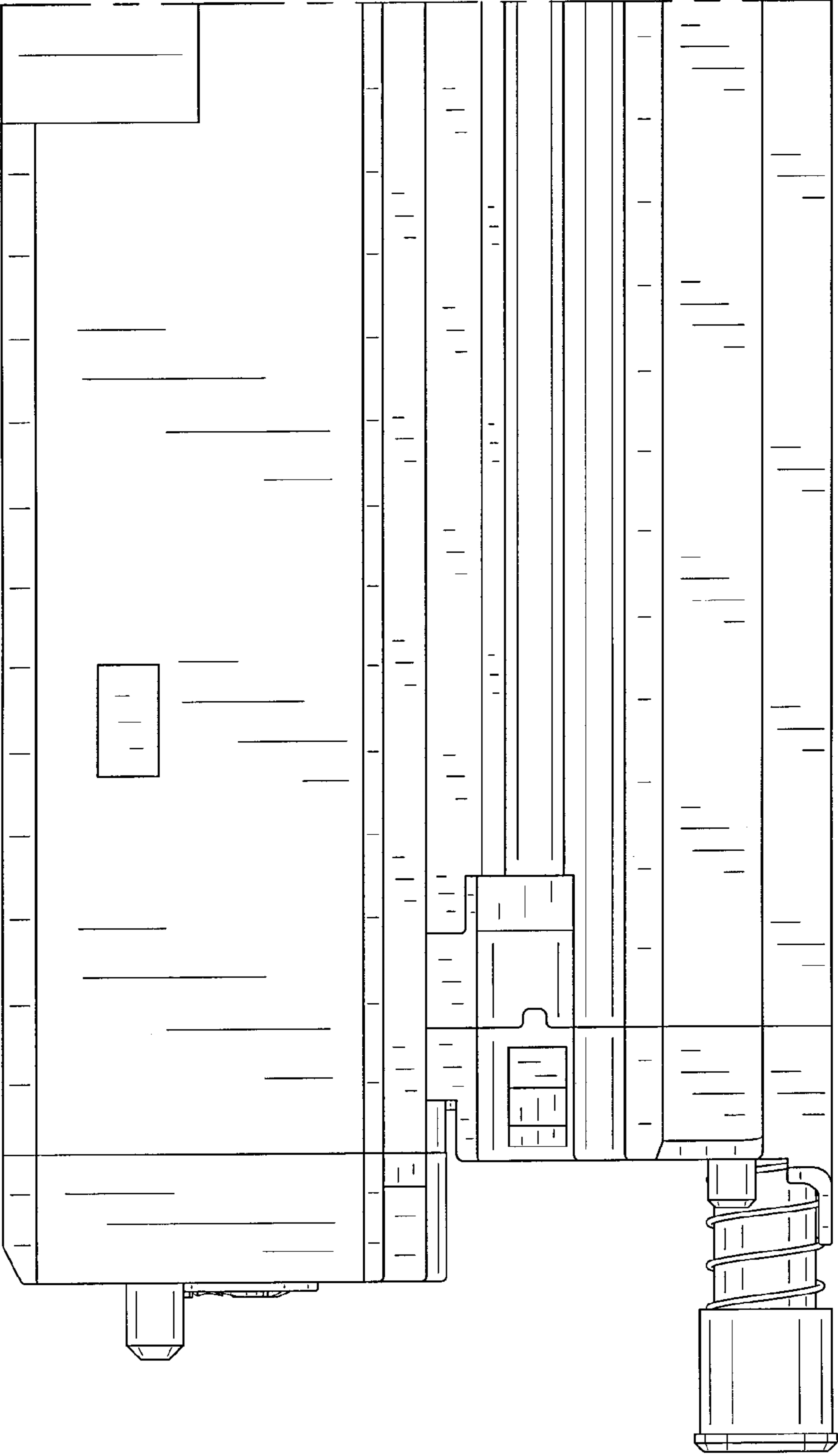


FIG. 17

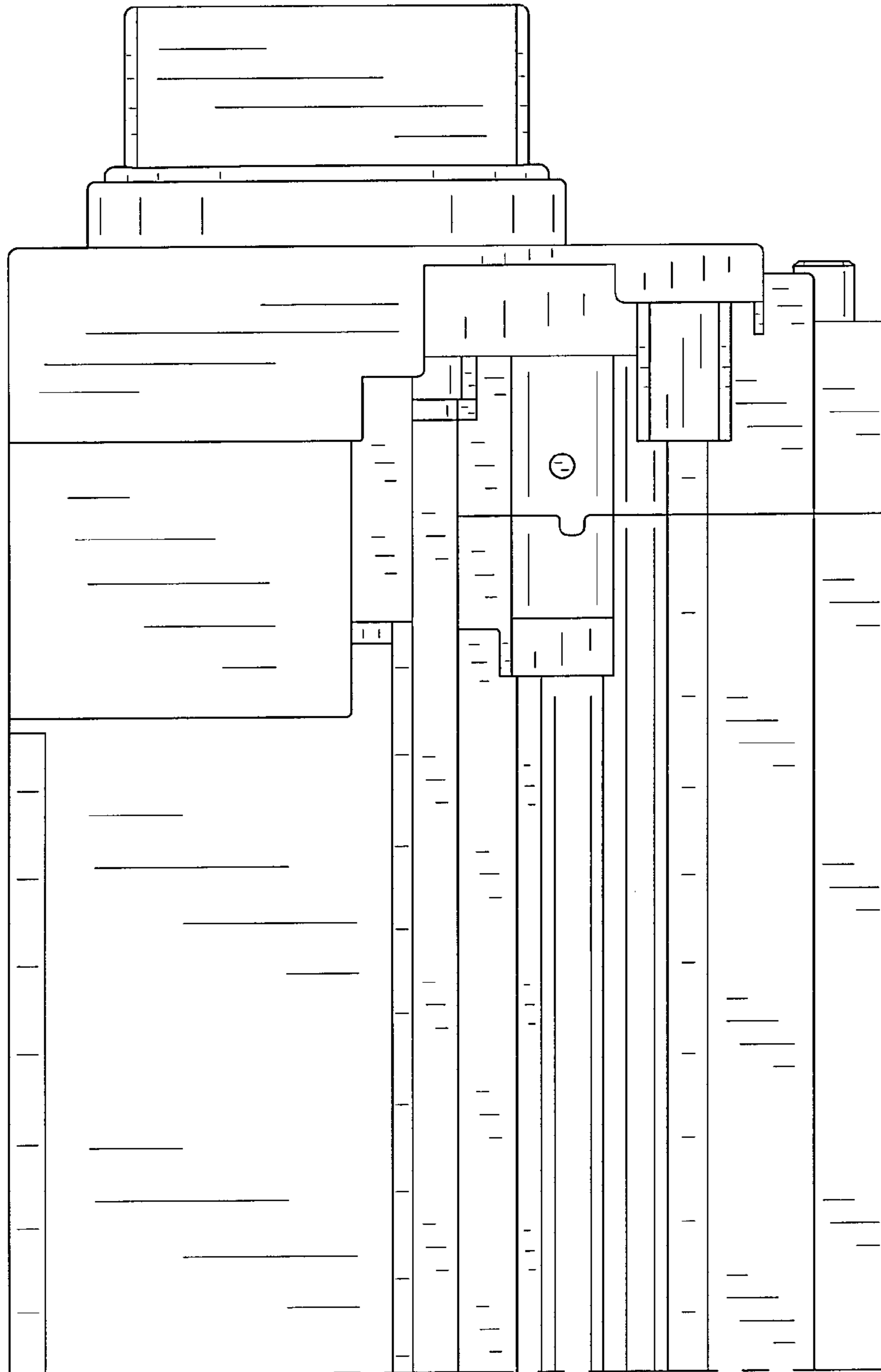


FIG. 18

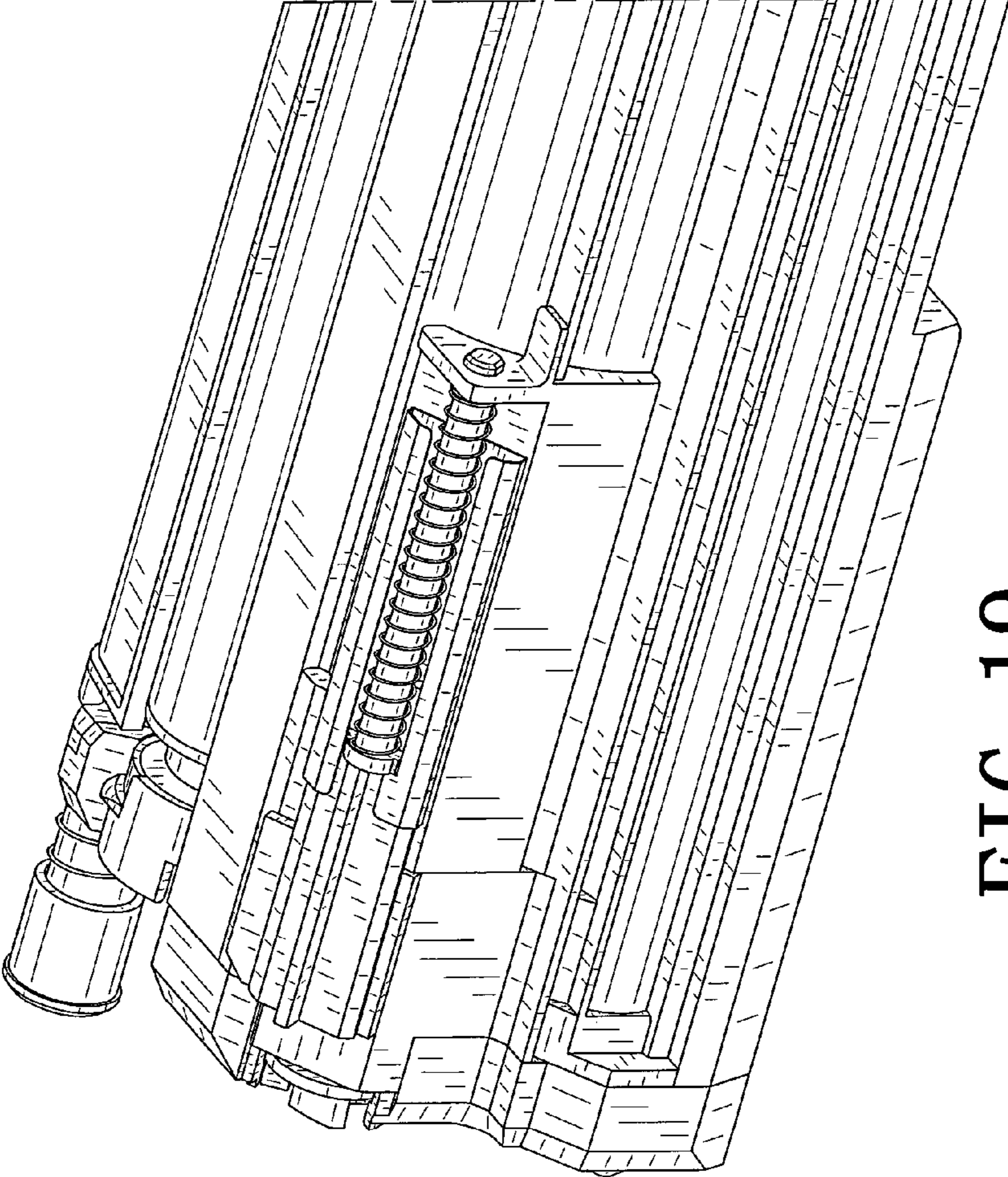


FIG. 19

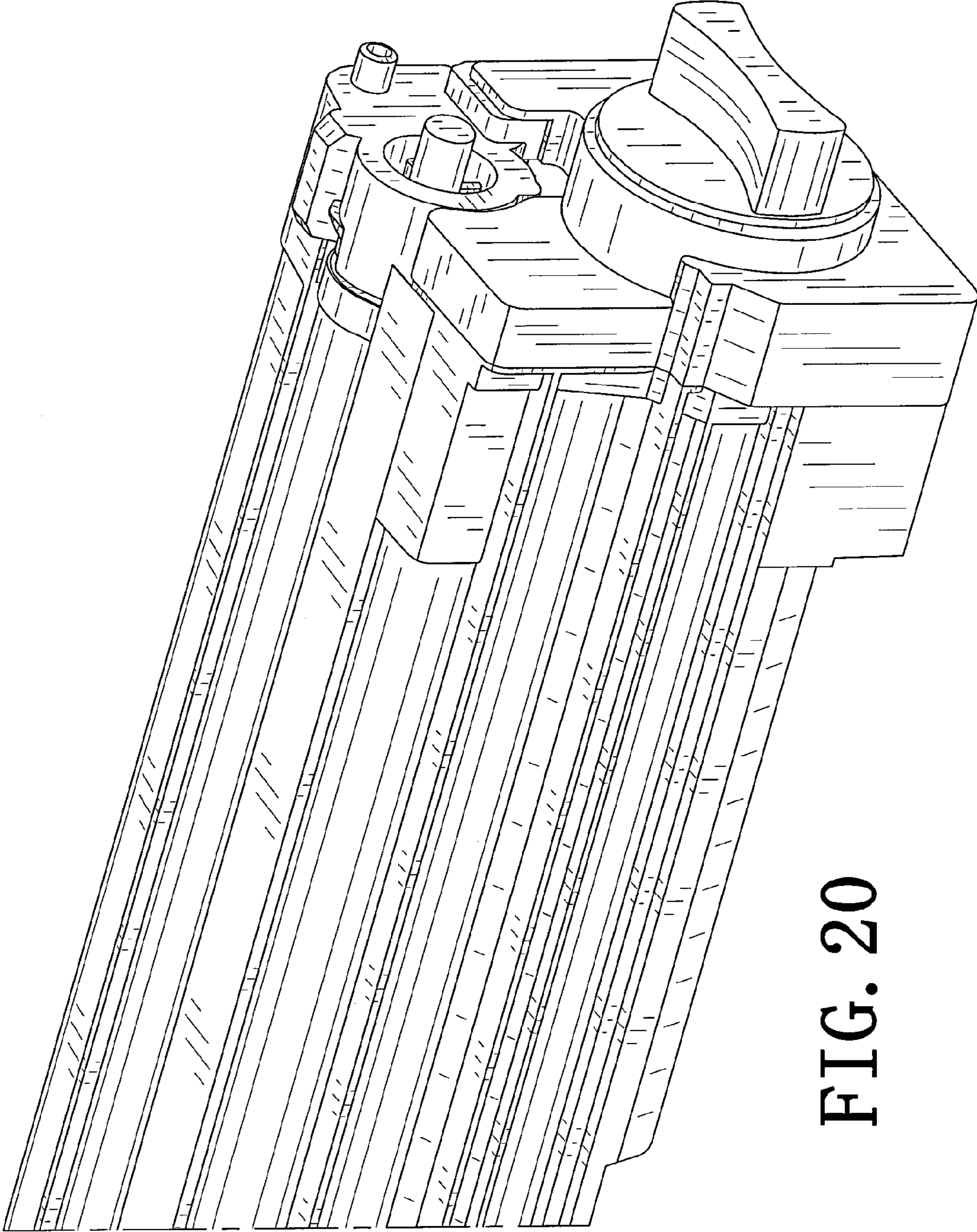


FIG. 20

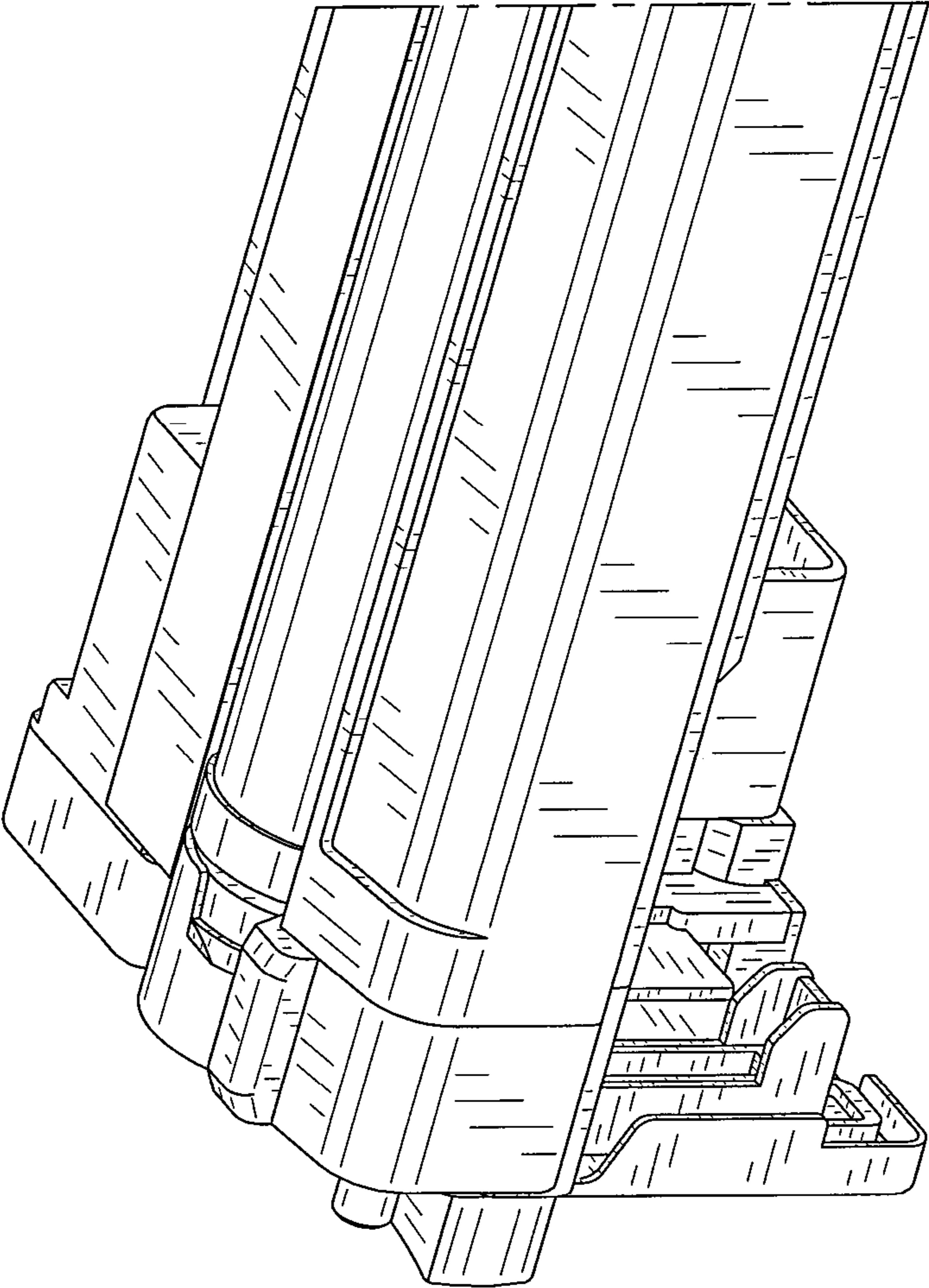


FIG. 21

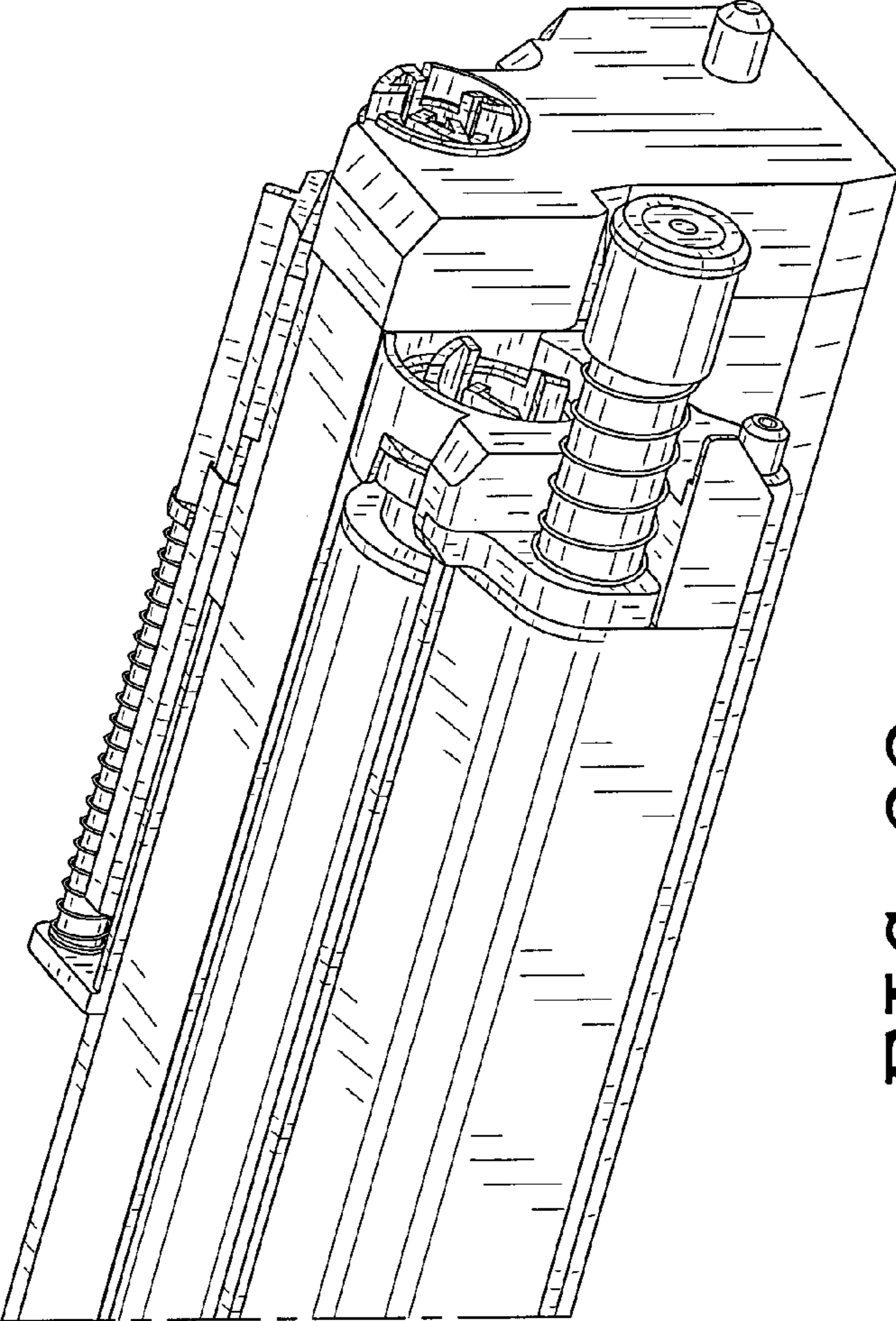


FIG. 22