



US00D713866S

(12) **United States Design Patent**
Ackley et al.

(10) **Patent No.:** **US D713,866 S**
(45) **Date of Patent:** **** Sep. 23, 2014**

(54) **CARRIER BAR**

(75) Inventors: **E. Michael Ackley**, Mannington, NJ
(US); **Vincent M. DeLuccia, Jr.**,
Riverside, NJ (US)

(73) Assignee: **Ackley Machine Corporation**,
Moorestown, NJ (US)

(**) Term: **14 Years**

(21) Appl. No.: **29/418,591**

(22) Filed: **Apr. 18, 2012**

(51) **LOC (10) Cl.** **15-09**

(52) **U.S. Cl.**
USPC **D15/138**

(58) **Field of Classification Search**
USPC D6/515; D9/341, 761; D15/138, 145,
D15/199; D18/56
See application file for complete search history.

(56) **References Cited**

U.S. PATENT DOCUMENTS

3,655,110	A *	4/1972	Eisenbach	229/406
3,884,143	A *	5/1975	Ackley	101/37
4,632,028	A *	12/1986	Ackley	101/40
5,836,243	A *	11/1998	Ackley	101/44
D432,341	S *	10/2000	Shimbo et al.	D6/515
6,360,866	B1 *	3/2002	Chiba et al.	198/803.14
6,409,030	B1 *	6/2002	Schlemper	211/70.6
D463,977	S *	10/2002	Castellanos et al.	D9/761
D482,963	S *	12/2003	Vincent et al.	D9/761
6,834,581	B2 *	12/2004	Ackley	101/35
7,102,741	B2	9/2006	Ackley, Jr. et al.	
D543,103	S *	5/2007	Roche et al.	D3/264
7,456,946	B2 *	11/2008	Ackley et al.	356/237.1
D603,885	S *	11/2009	Ackley, Jr.	D15/138
8,072,590	B2	12/2011	Ackley, Jr. et al.	

8,141,697	B2	3/2012	Ackley, Jr.	
D656,972	S *	4/2012	Ackley	D15/138
8,220,619	B2	7/2012	Ackley	
2008/0047803	A1 *	2/2008	Ackley	198/406

OTHER PUBLICATIONS

Ackley, U.S. Appl. No. 13/692,860, filed Dec. 3, 2012, pending.

* cited by examiner

Primary Examiner — Patricia Palasik

(74) *Attorney, Agent, or Firm* — Nixon & Vanderhye, P.C.

(57) **CLAIM**

The ornamental design for a carrier bar, as shown and described.

DESCRIPTION

FIG. 1 is an enlarged perspective view, from the top, of a carrier bar according to an embodiment showing my new design;

FIG. 2 is a top view thereof;

FIG. 3 is a front view thereof, with the rear view being identical thereto;

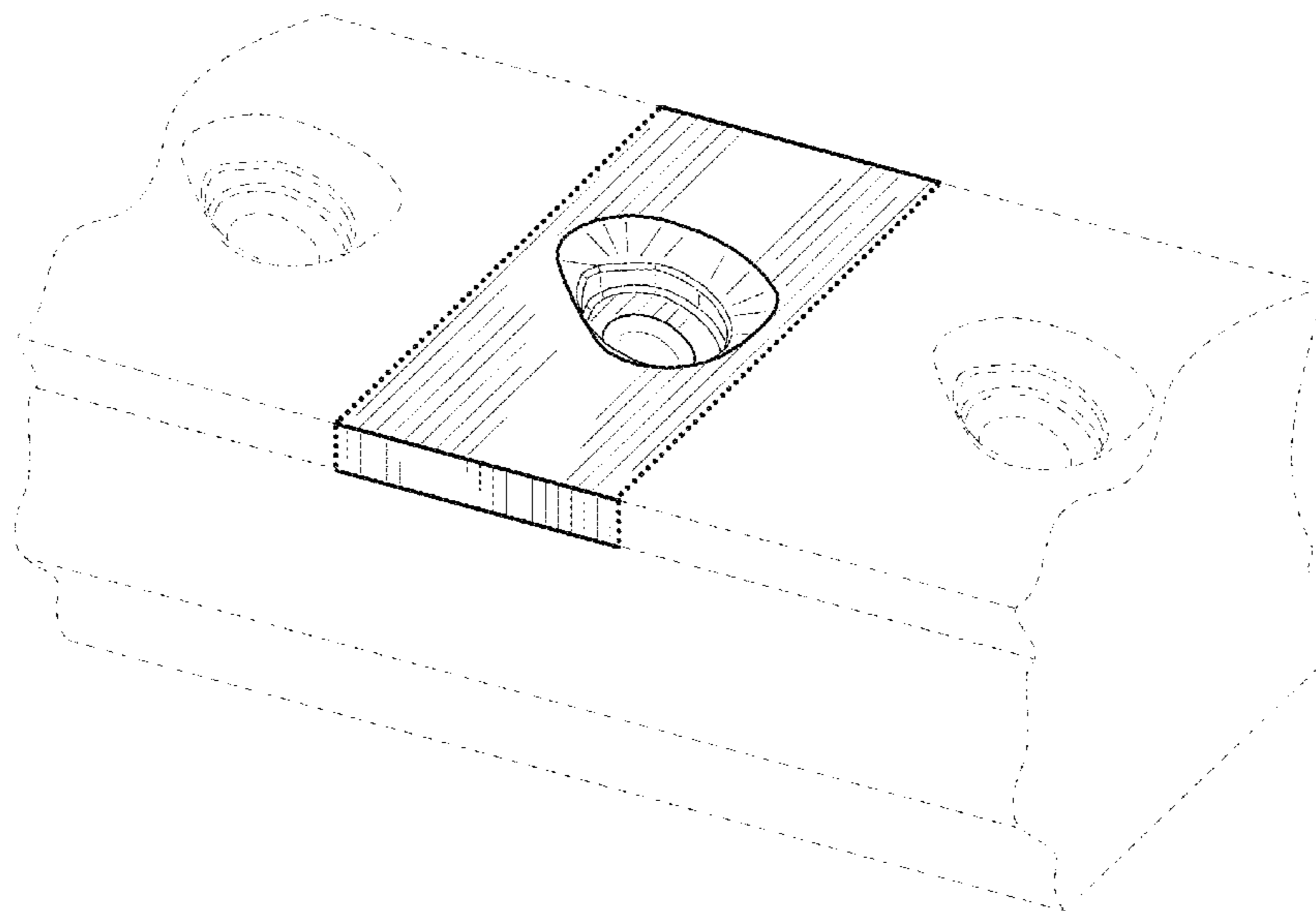
FIG. 4 is an enlarged cross section taken along lines 4-4 of FIG. 2; and,

FIG. 5 is an enlarged cross section taken along lines 5-5 of FIG. 2.

The dotted lines represent the border between claimed and non-claimed subject matter and form no part of the claimed design.

The dashed lines represent environmental structure only and do not form a part of the claimed design.

1 Claim, 3 Drawing Sheets



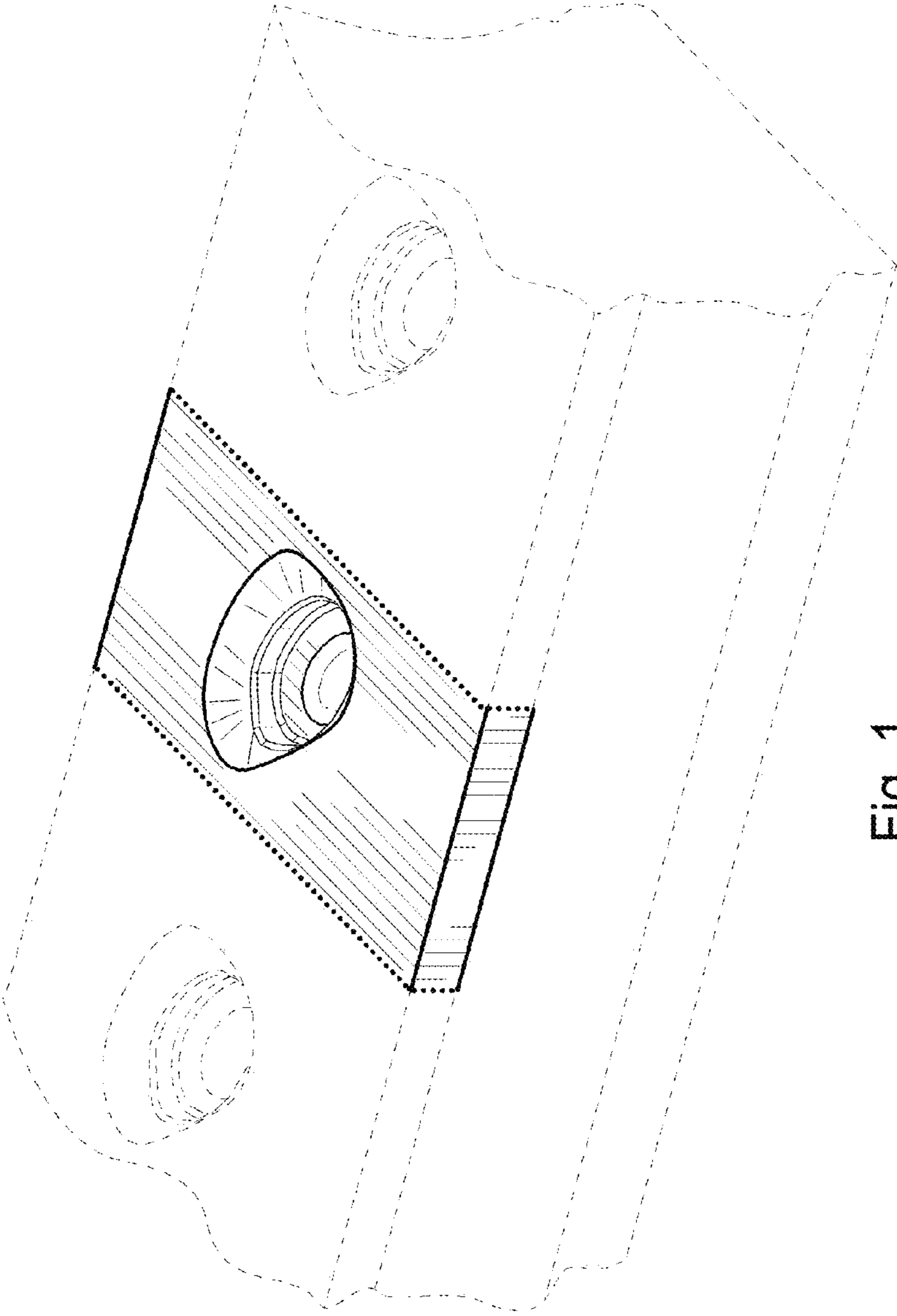


Fig. 1

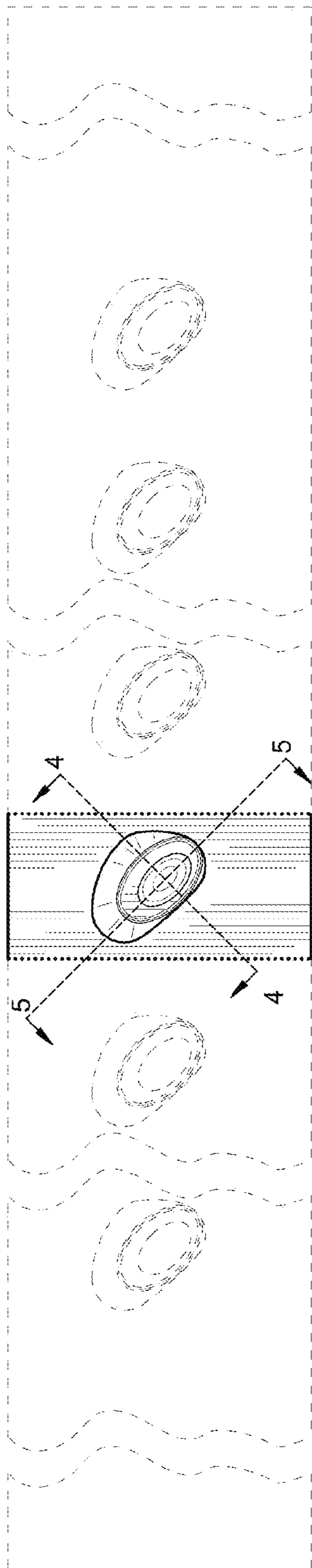


Fig. 2

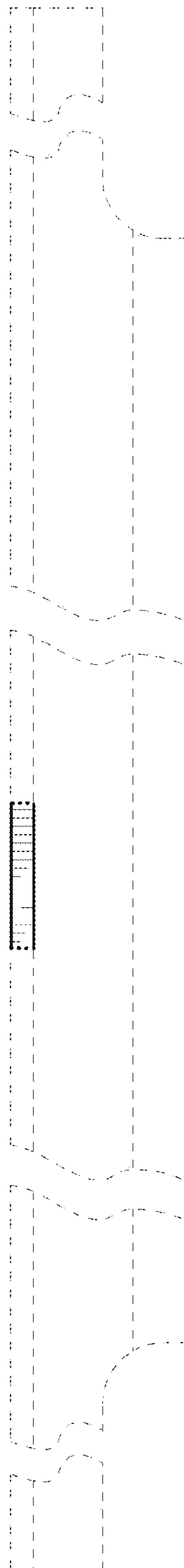


Fig. 3

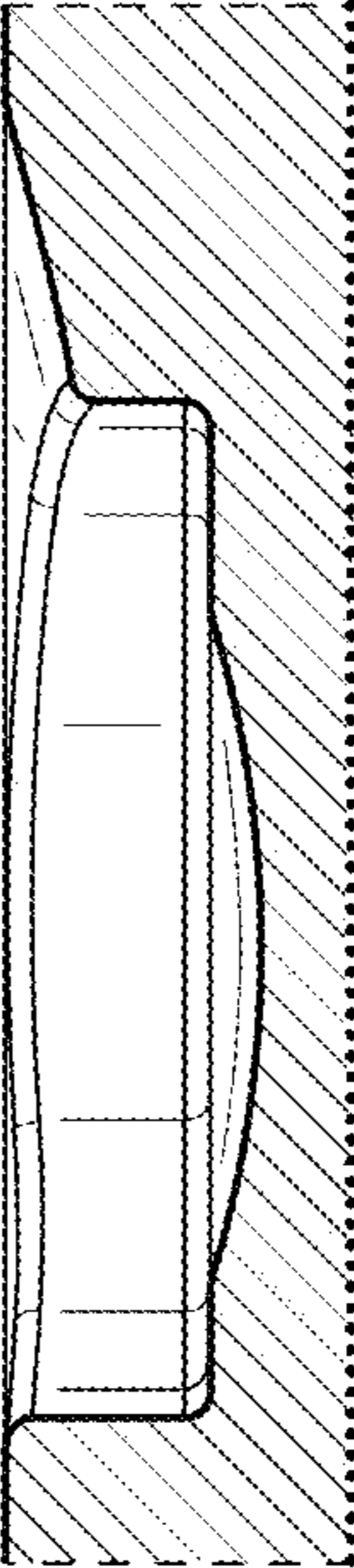


Fig. 5

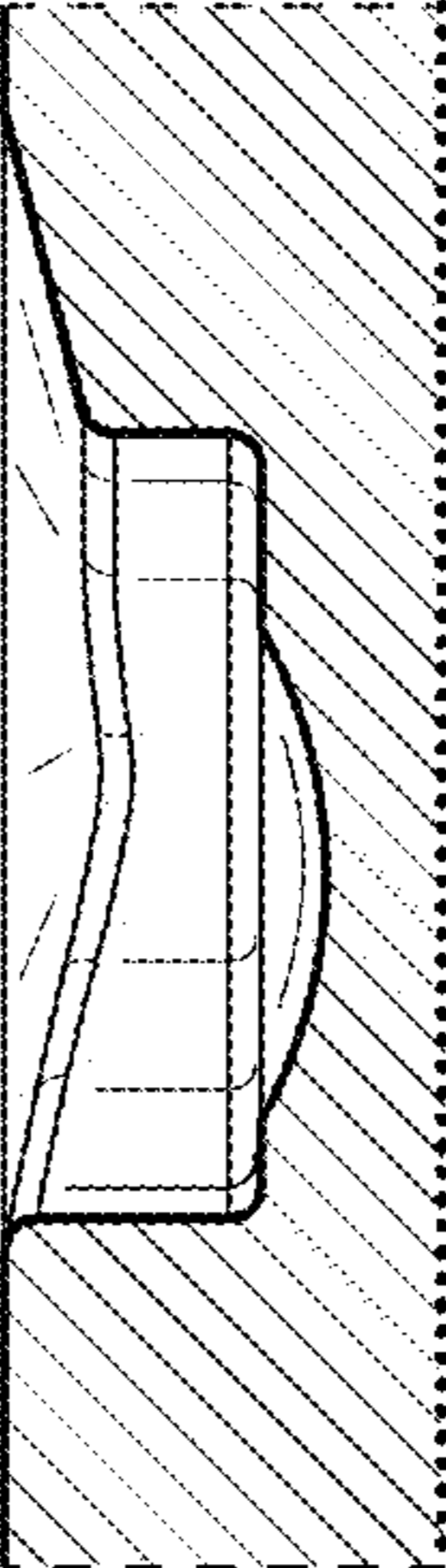


Fig. 4