



US00D713865S

(12) **United States Design Patent**
Anderson et al.

(10) **Patent No.:** **US D713,865 S**

(45) **Date of Patent:** **** Sep. 23, 2014**

(54) **PLURAL COMPONENT PROPORTIONER**

(71) Applicant: **Graco Minnesota Inc.**, Minneapolis, MN (US)

(72) Inventors: **Richard D. Anderson**, Maple Grove, MN (US); **Shane A. Norman**, St. Francis, MN (US); **Tyler A. Salminen**, Nowthen, MN (US); **Nicholas A. Pagano**, Osseo, MN (US)

(73) Assignee: **Graco Minnesota Inc.**, Minneapolis, MN (US)

(**) Term: **14 Years**

(21) Appl. No.: **29/479,848**

(22) Filed: **Jan. 21, 2014**

(51) **LOC (10) Cl.** **15-09**

(52) **U.S. Cl.**
USPC **D15/135**

(58) **Field of Classification Search**
USPC D15/7-9, 122, 124, 135, 136, 199;
D23/213, 225, 231, 232; D34/12-37;
118/64, 300, 309, 310, 324; 123/495,
123/509; 222/63, 135, 309; 239/146, 147,
239/150; 280/42, 47.18, 47.19, 47.24,
280/47.27, 47.28, 47.34-47.371, 47.31,
280/79.5-79.765, 642; 401/48, 195;
406/39, 134; 415/140-147; 417/60,
417/235, 265, 321, 355, 358, 363, 359, 405,
417/410.1, 415-416, 900

See application file for complete search history.

(56) **References Cited**

U.S. PATENT DOCUMENTS

3,669,068 A * 6/1972 Geitz 118/64
D296,701 S * 7/1988 Lindell D15/135
7,114,664 B2 * 10/2006 Gundersen et al. 239/149
D550,258 S * 9/2007 Schad et al. D15/135

D559,285 S * 1/2008 Galomb D15/135
D567,264 S * 4/2008 Muller et al. D15/122
D572,795 S * 7/2008 Kieffer D23/225
D580,517 S * 11/2008 Mattson et al. D23/225
D616,064 S * 5/2010 Mattson et al. D23/225
D616,065 S * 5/2010 Gundersen et al. D23/225
D622,296 S * 8/2010 Ueberschlag D15/122
D655,323 S * 3/2012 Brockhage D15/145
D661,714 S * 6/2012 Waterhouse et al. D15/135
D674,420 S * 1/2013 Ueberschlag et al. D15/122
D685,825 S * 7/2013 Hoelbl D15/122
8,568,104 B2 10/2013 McCormick et al.
2003/0015547 A1 * 1/2003 Pittman et al. 222/63
2006/0144447 A1 * 7/2006 Pittman et al. 137/565.29
2006/0233960 A1 * 10/2006 Warren et al. 427/421.1
2013/0119152 A1 * 5/2013 Wishneski et al. 239/128

OTHER PUBLICATIONS

Graco Inc. Brochure on Fast-Set Plural-Component Equipment, revised Jul. 2009.

Graco Inc. Brochure on Fast-Set Plural-Component Equipment, revised Jan. 2014.

Polyurethane Machinery Corporation Brochure on Hydraulic Proportioners pulled from internet, pdf created Jan. 14, 2014.

* cited by examiner

Primary Examiner — Patricia Palasik

(74) *Attorney, Agent, or Firm* — Douglas B. Farrow

(57) **CLAIM**

The ornamental design for a plural component proportioner, as shown and described.

DESCRIPTION

FIG. 1 is a front right isometric view of a plural component proportioner;

FIG. 2 is a front left isometric view thereof;

FIG. 3 is a front view thereof;

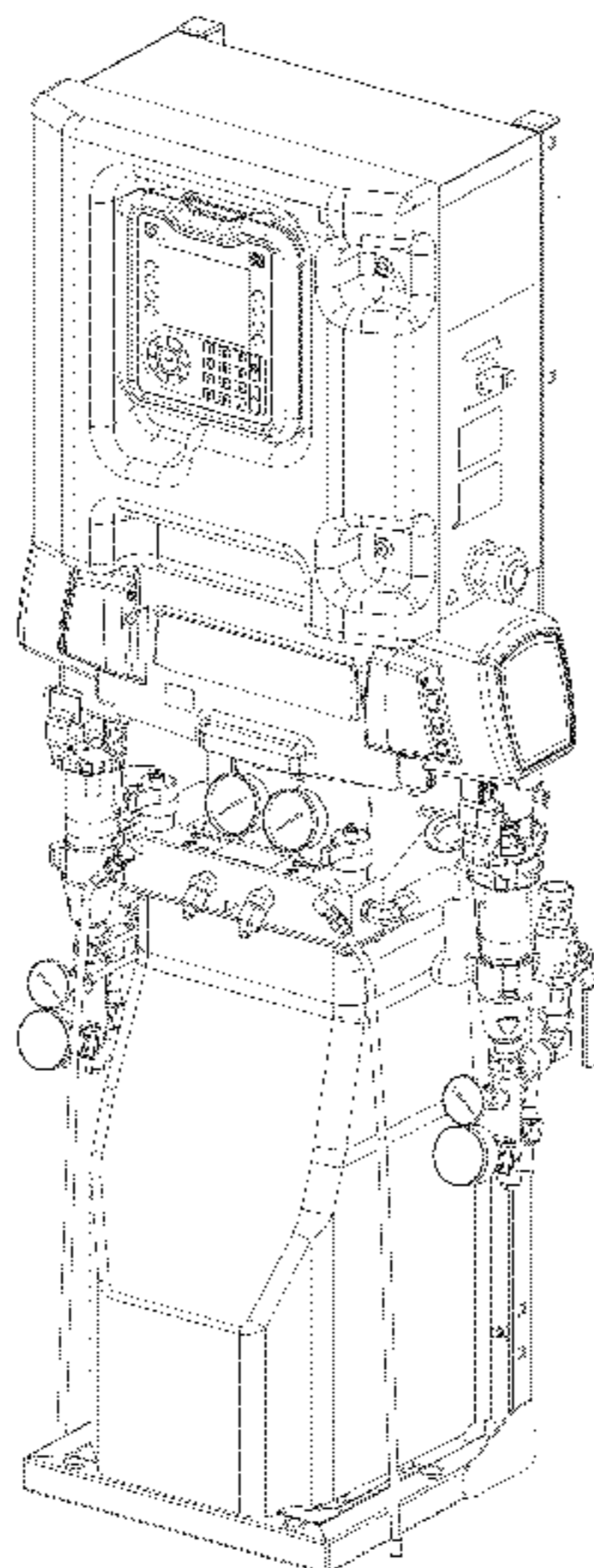
FIG. 4 is a right side view thereof;

FIG. 5 is a left side view thereof;

FIG. 6 is a rear view thereof; and,

FIG. 7 is a top view thereof.

1 Claim, 7 Drawing Sheets



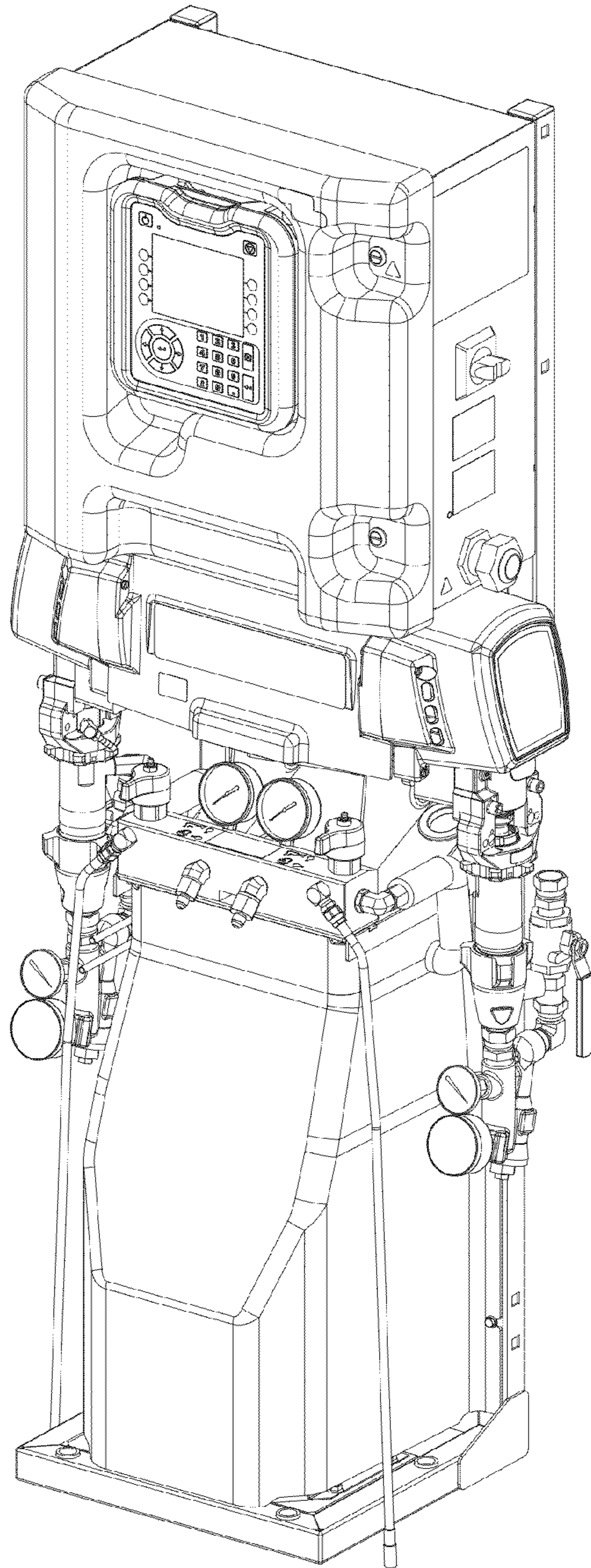


FIG. 1

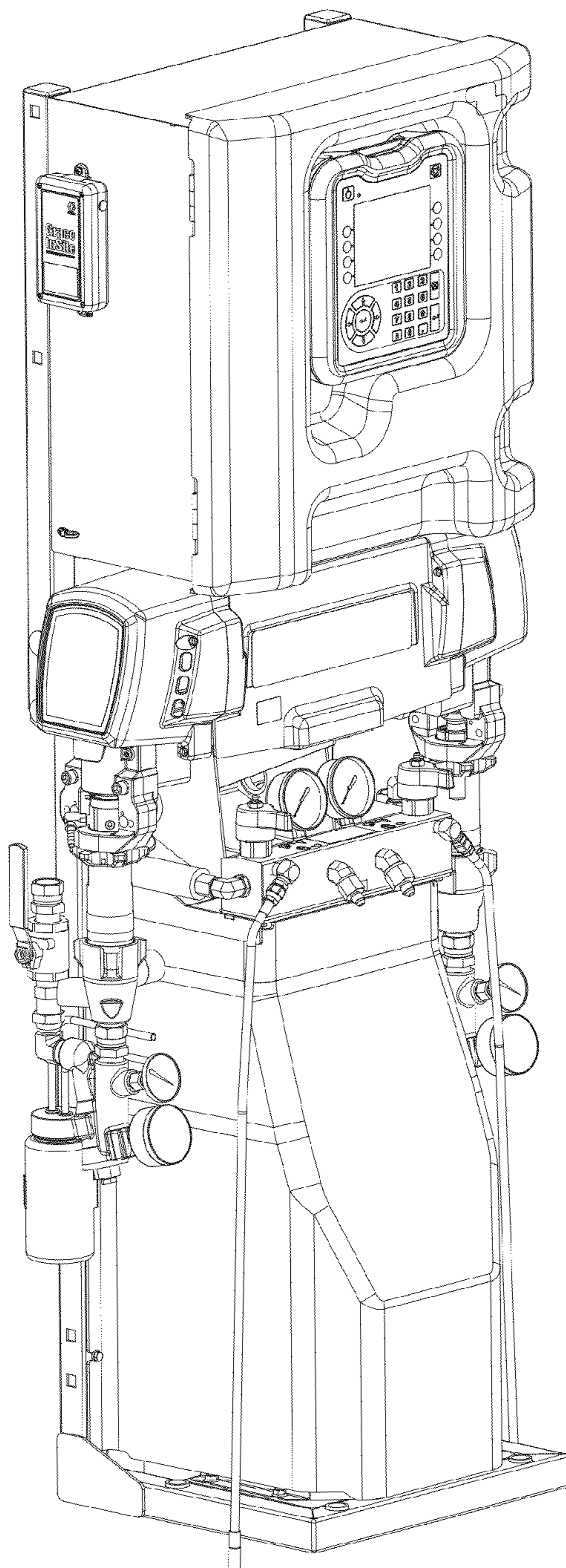


FIG. 2

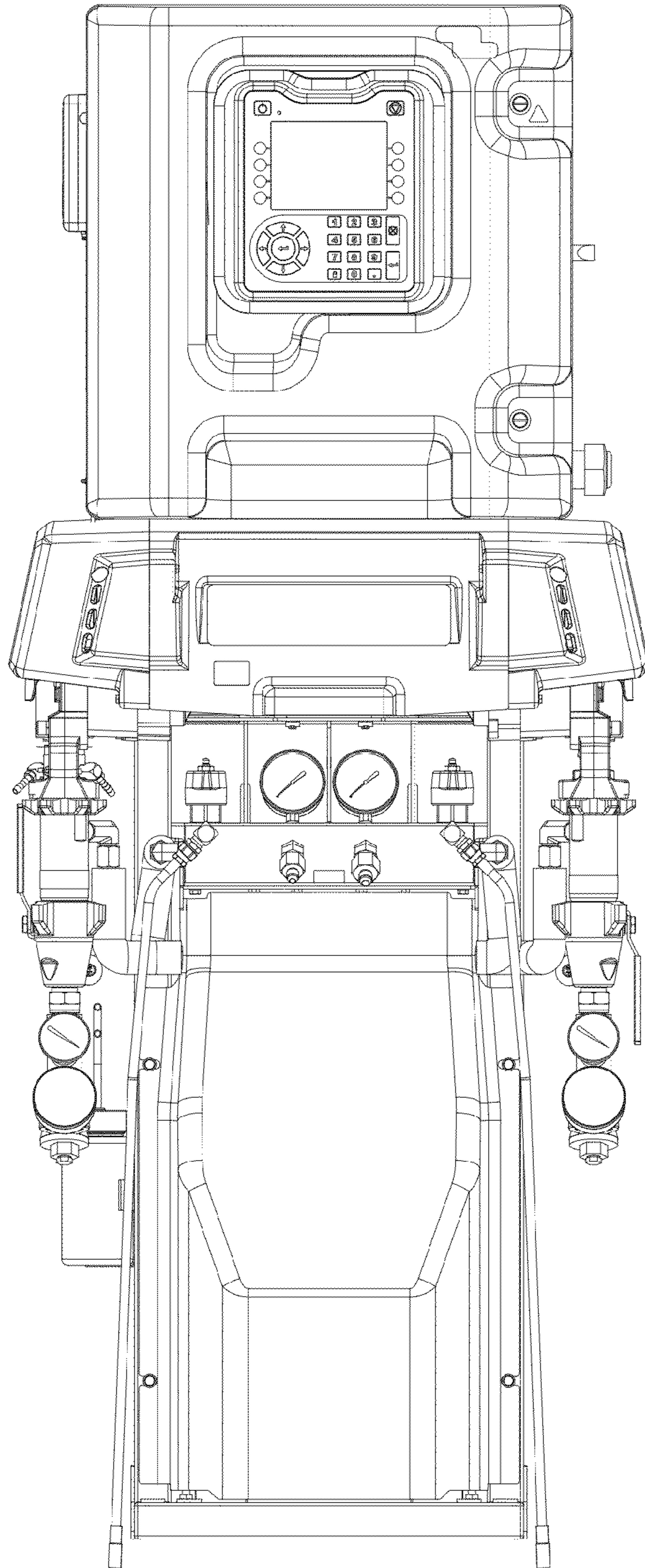


FIG. 3

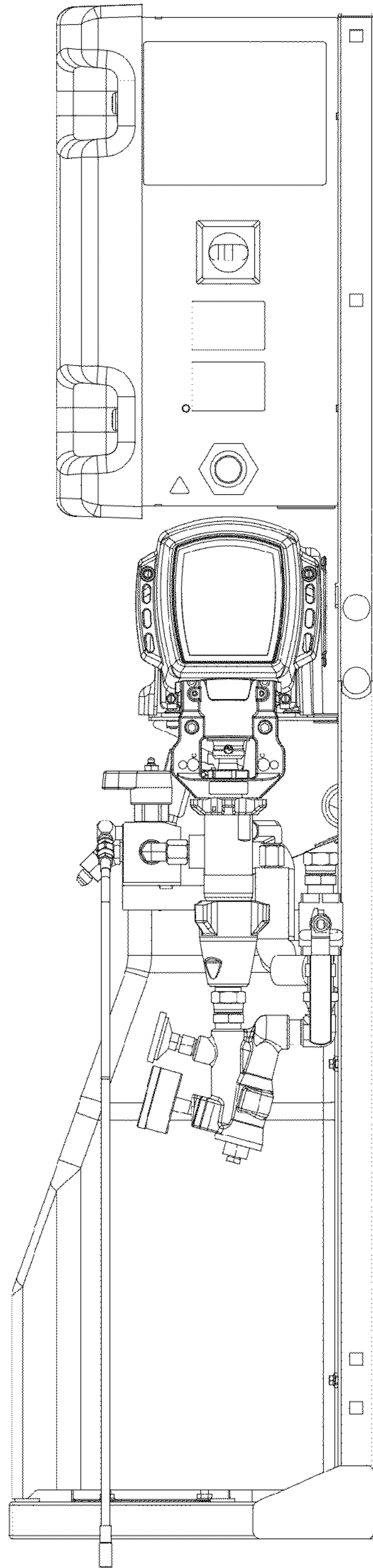


FIG. 4

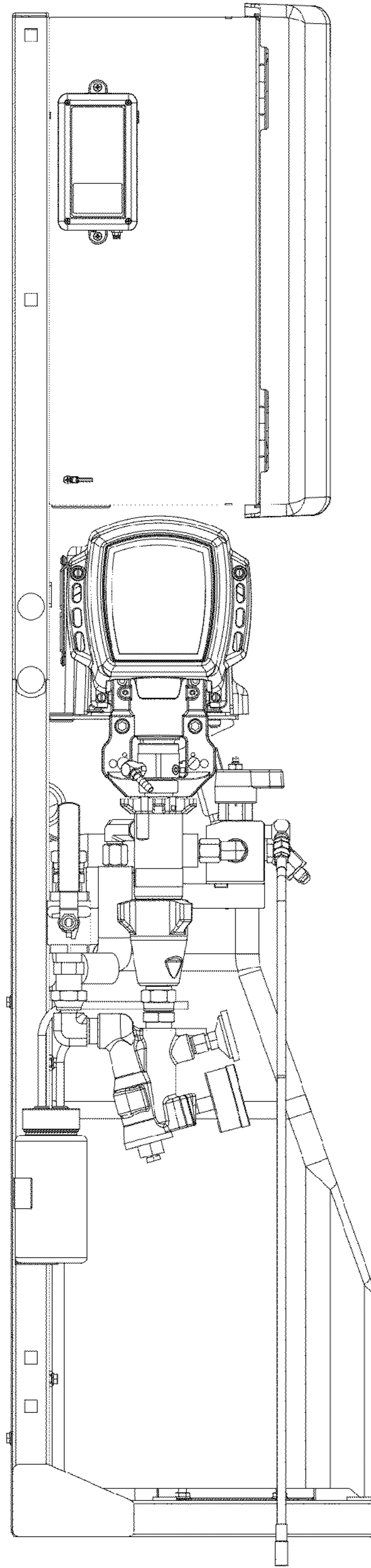


FIG. 5

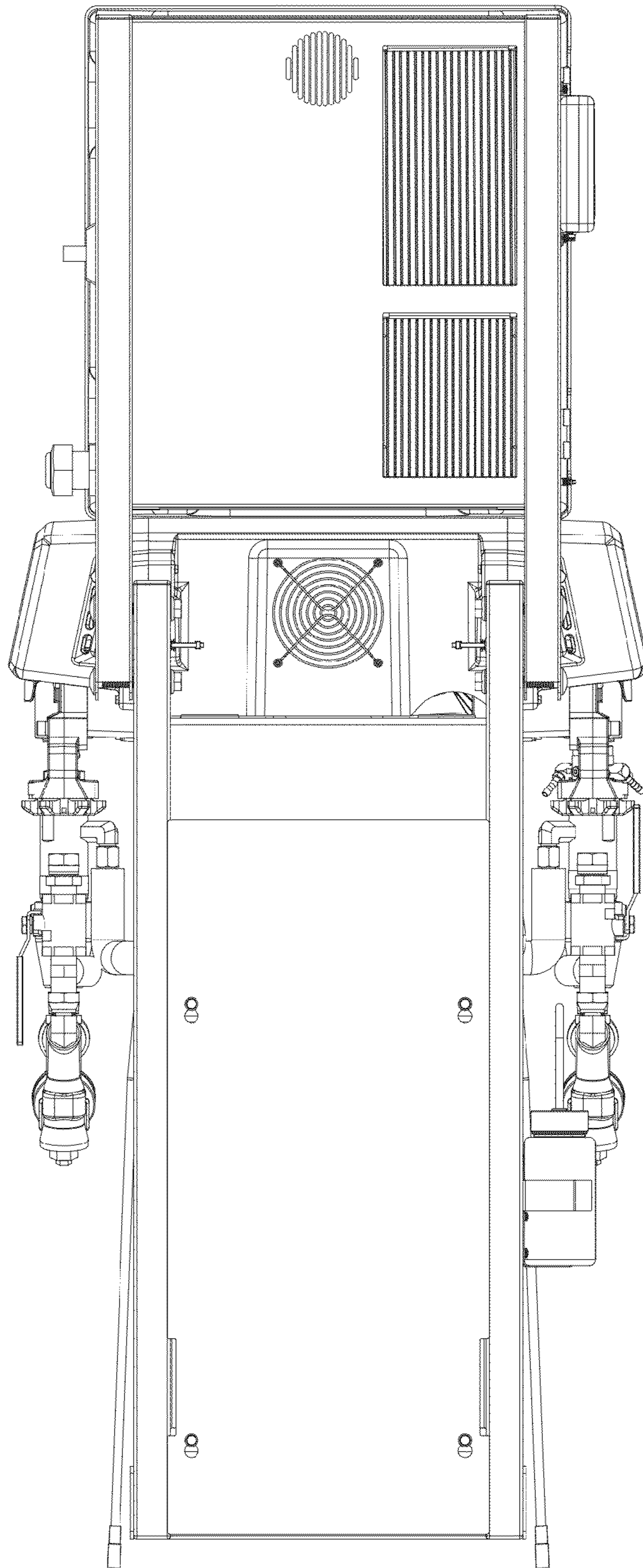


FIG. 6

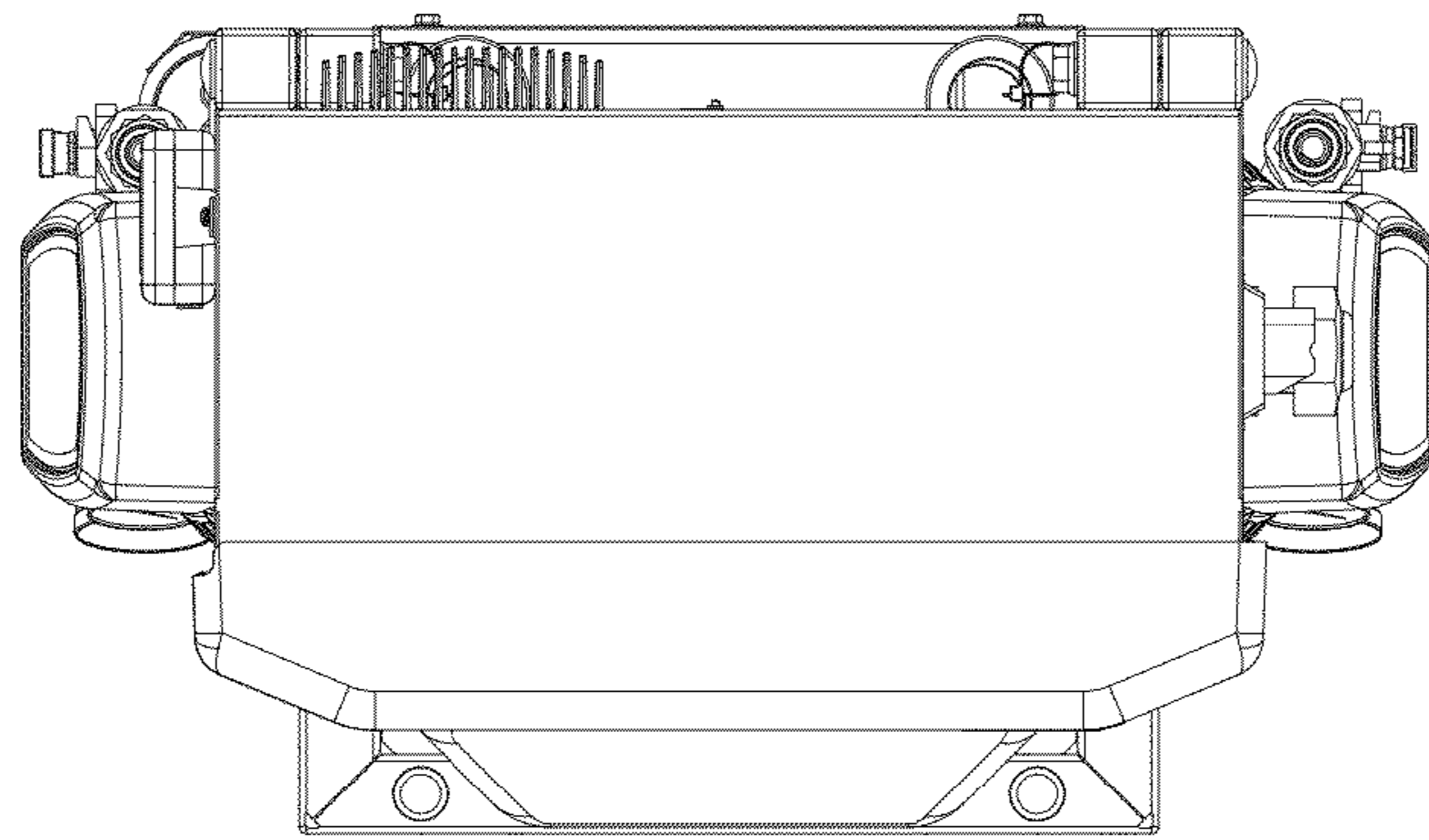


FIG. 7