



US00D713864S

(12) **United States Design Patent**
Kim et al.

(10) **Patent No.:** **US D713,864 S**

(45) **Date of Patent:** **** Sep. 23, 2014**

(54) **REFRIGERATOR**

(71) Applicant: **Samsung Electronics Co., Ltd.**,
Suwon-si (KR)

(72) Inventors: **Jang-Won Kim**, Seoul (KR); **Hyun-II Lee**, Seoul (KR); **Se-Youn Park**, Incheon (KR); **Yun-Ho Yang**, Yongin-si (KR)

(73) Assignee: **Samsung Electronics Co., Ltd.** (KR)

(**) Term: **14 Years**

(21) Appl. No.: **29/451,822**

(22) Filed: **Apr. 9, 2013**

(30) **Foreign Application Priority Data**

Oct. 10, 2012 (KR) 30-2012-0048184

(51) **LOC (10) Cl.** **15-07**

(52) **U.S. Cl.**
USPC **D15/89**

(58) **Field of Classification Search**
USPC D15/79-89, 91; 62/246, 337, 339,
62/440-449; 312/114-119, 138.1, 139.2,
312/236, 401-408
See application file for complete search history.

(56) **References Cited**

U.S. PATENT DOCUMENTS

D430,174 S * 8/2000 Negrao et al. D15/89
D495,722 S * 9/2004 Avalos Barcenos et al. ... D15/91

D500,058 S * 12/2004 Tunzi D15/91
D502,950 S * 3/2005 Moraes De Sa Cavalcanti
et al. D15/89
D507,284 S * 7/2005 Seo D15/85
D538,310 S * 3/2007 Avalos Barcenos et al. ... D15/91
D677,287 S * 3/2013 Ding et al. D15/85
D677,288 S * 3/2013 Ma et al. D15/85
D698,832 S * 2/2014 Lee et al. D15/89

* cited by examiner

Primary Examiner — Thomas Johannes

Assistant Examiner — Khawaja Anwar

(74) *Attorney, Agent, or Firm* — Cantor Colburn LLP

(57) **CLAIM**

The ornamental design for a refrigerator, as shown and described.

DESCRIPTION

FIG. 1 is a perspective view of a refrigerator showing our new design;
FIG. 2 is a front view thereof;
FIG. 3 is a rear view thereof;
FIG. 4 is a left side view thereof;
FIG. 5 is a right side view thereof;
FIG. 6 is a top plan view thereof;
FIG. 7 is a bottom plan view thereof; and,
FIG. 8 is an enlarged perspective view thereof.
The broken lines in the drawings show unclaimed subject matter only and form no part of the claimed design.
The dot-dash style broken lines in FIG. 1 and FIG. 8 illustrate the origin of the isolated detail view which is enlarged in FIG. 8.

1 Claim, 8 Drawing Sheets

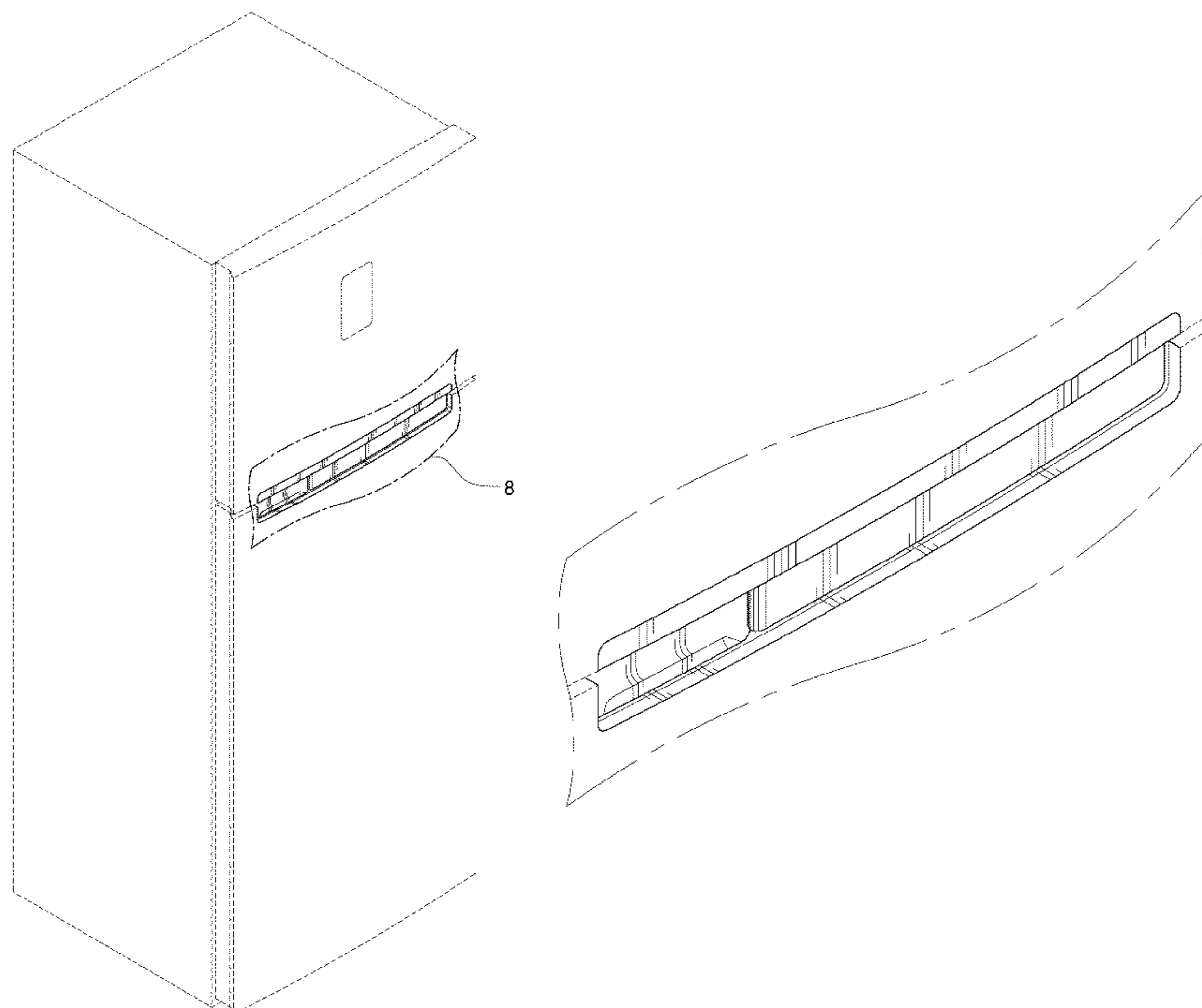


FIG. 1

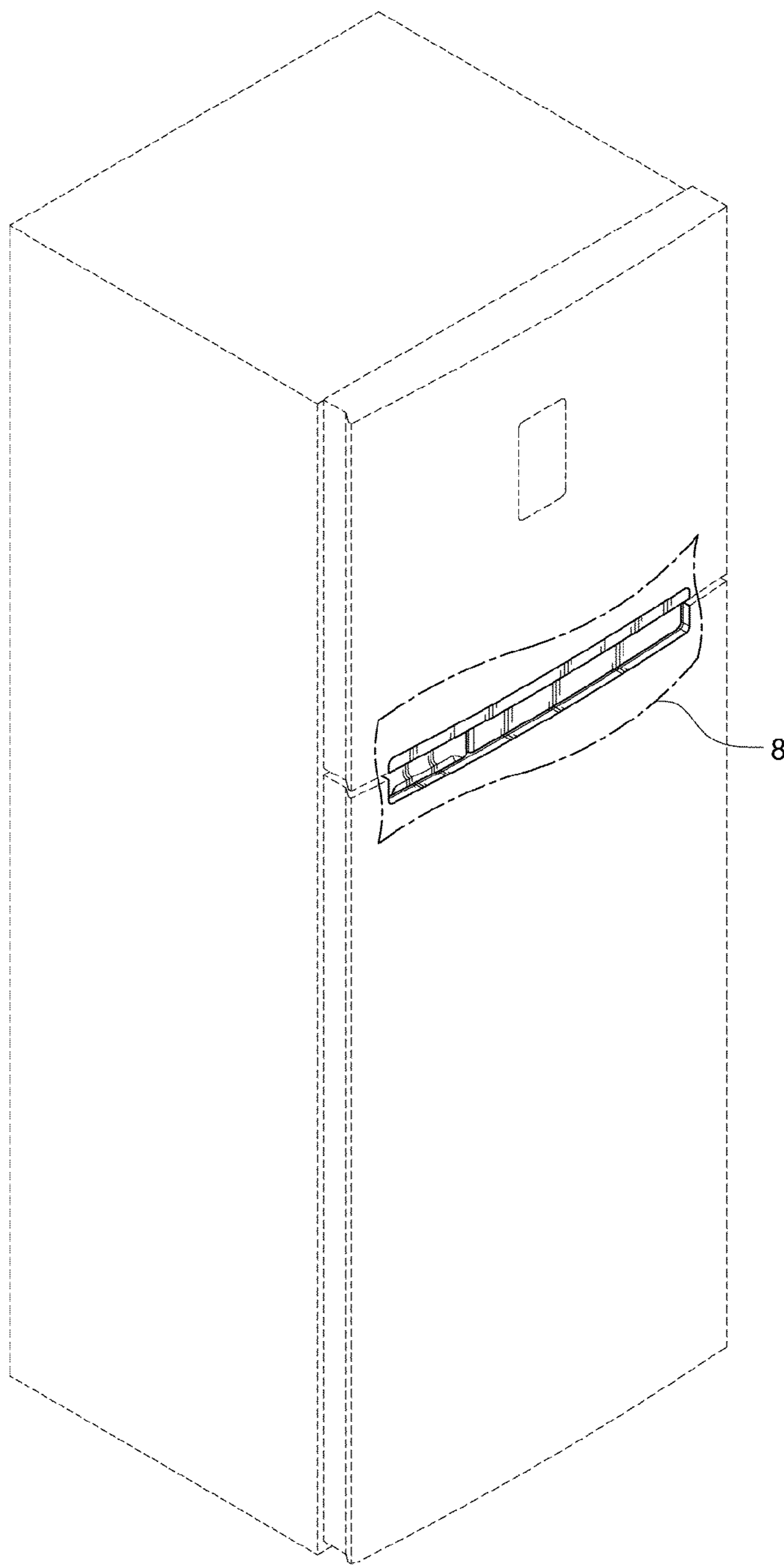


FIG.2

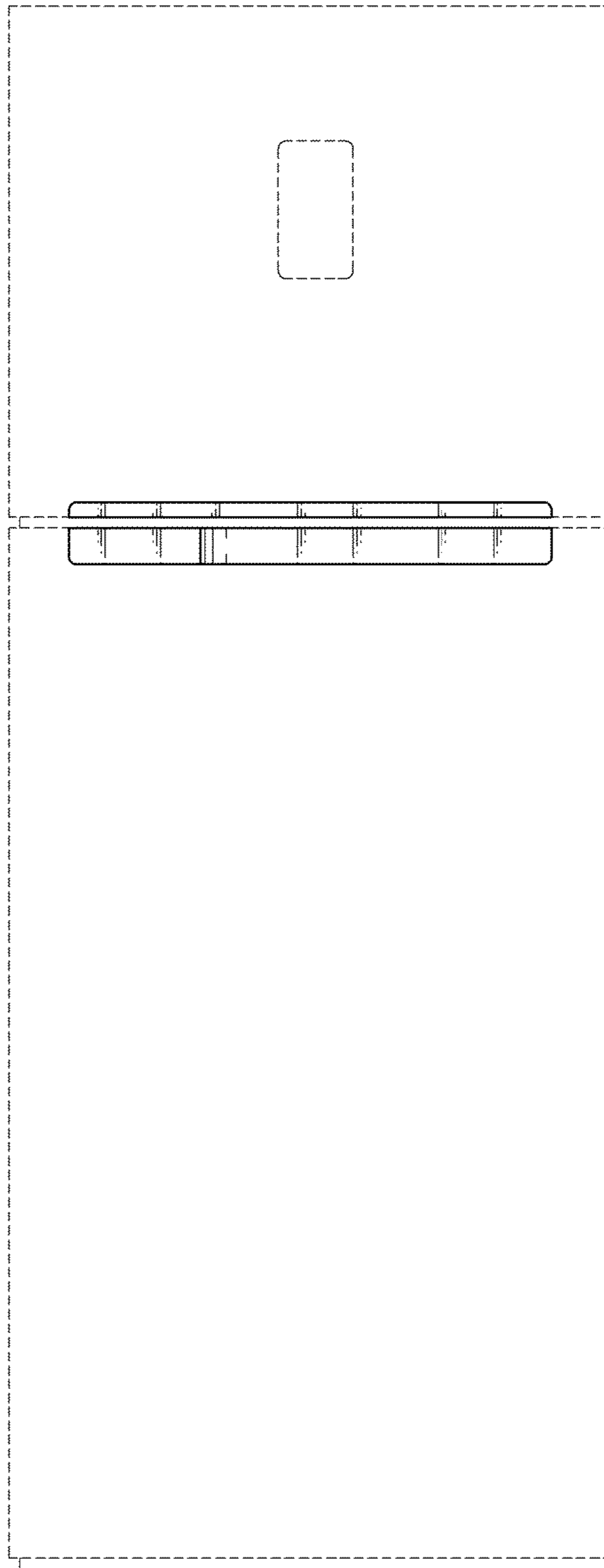


FIG. 3



FIG. 4

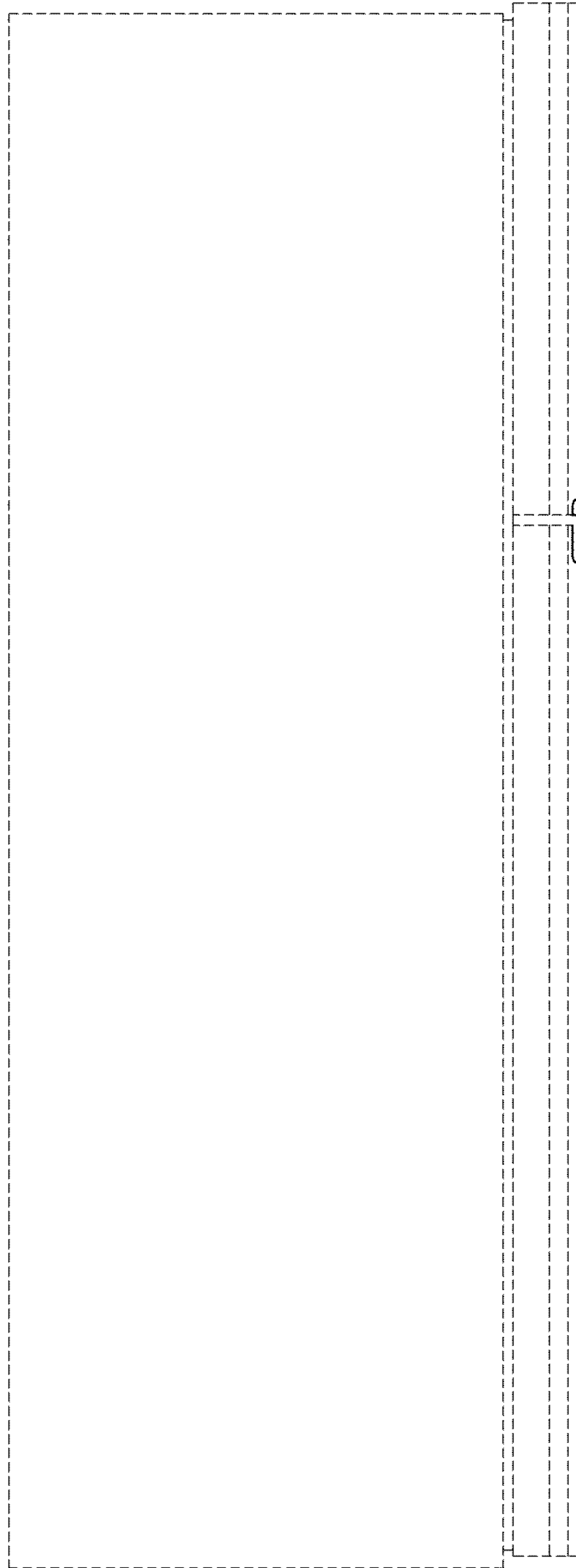


FIG. 5



FIG. 6

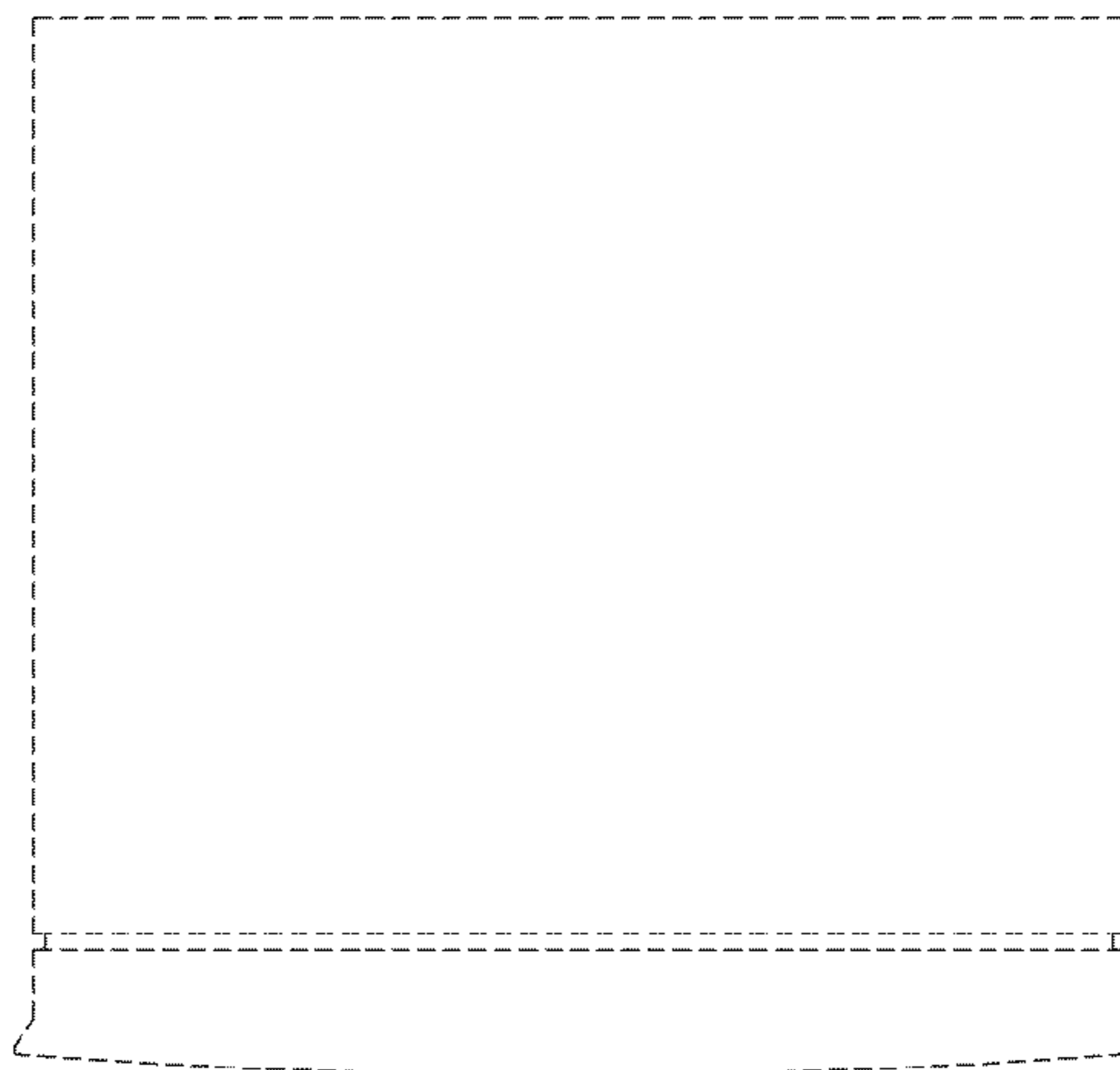


FIG. 7

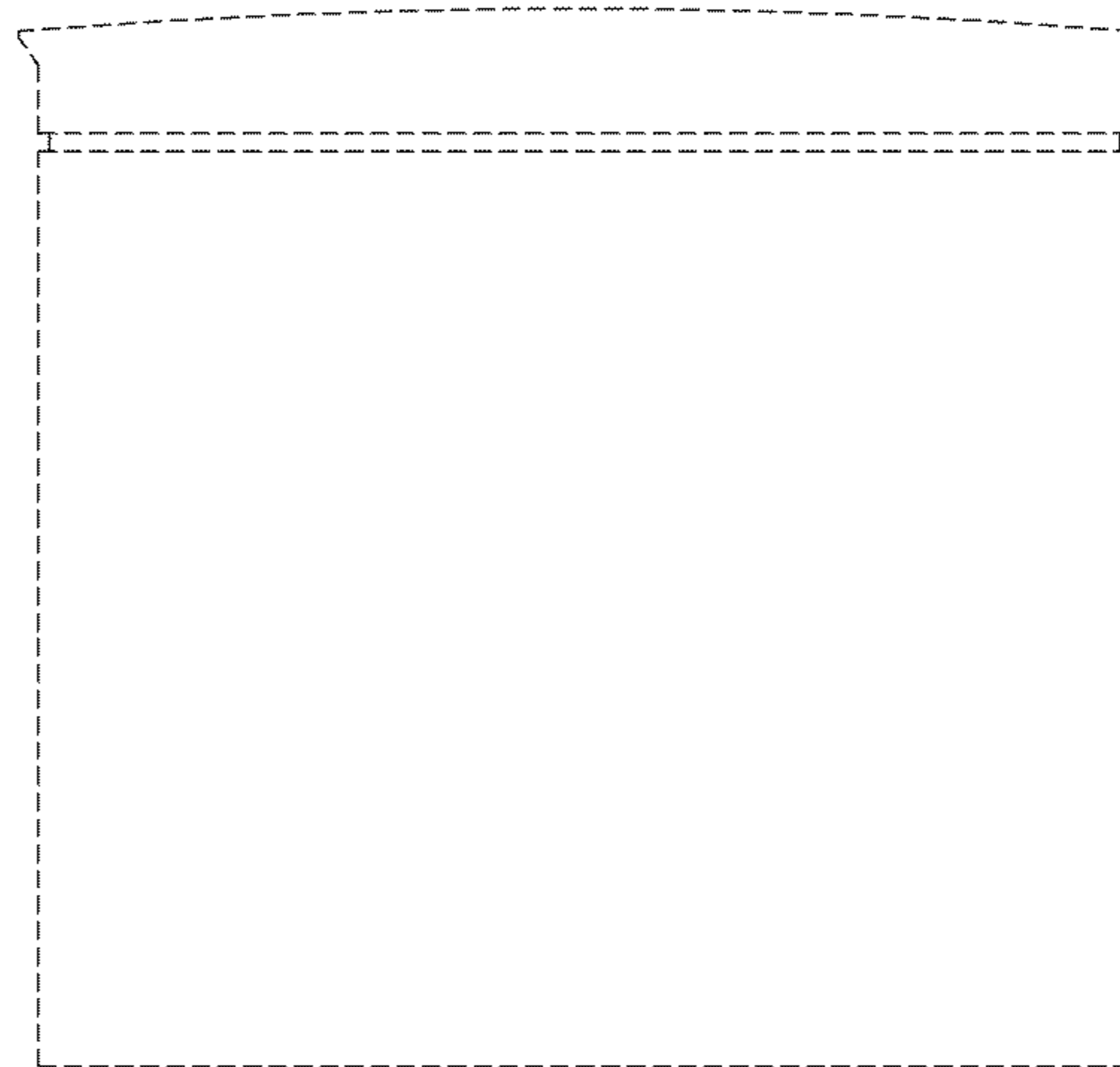


FIG. 8

