



US00D713860S

(12) **United States Design Patent**
Pedrollo

(10) **Patent No.:** **US D713,860 S**

(45) **Date of Patent:** **** Sep. 23, 2014**

(54) **CENTRIFUGAL PUMP**

(56) **References Cited**

(71) Applicant: **Pedrollo S.p.A.**, San Bonifacio (IT)

U.S. PATENT DOCUMENTS

(72) Inventor: **Silvano Pedrollo**, San Bonifacio (IT)

D372,719	S	*	8/1996	Jensen	D15/7
D447,148	S	*	8/2001	Antony et al.	D15/7
D450,327	S	*	11/2001	Mori et al.	D15/7
D466,522	S	*	12/2002	Huang	D15/7
6,616,420	B2	*	9/2003	Alaze et al.	417/273
D485,565	S	*	1/2004	Martinello	D15/7
D558,232	S	*	12/2007	Wang	D15/7
D573,607	S	*	7/2008	Bulter	D15/7
D630,229	S	*	1/2011	Dreifert	D15/7
8,162,625	B1	*	4/2012	Soderstrom	417/360
D664,156	S	*	7/2012	Meza et al.	D15/7

(73) Assignee: **Pedrollo S.p.A.**, San Bonifacio (VR)
(IT)

(**) Term: **14 Years**

* cited by examiner

(21) Appl. No.: **29/469,584**

Primary Examiner — Ralf Seifert

(22) Filed: **Oct. 11, 2013**

(74) *Attorney, Agent, or Firm* — McGlew and Tuttle, P.C.

(30) **Foreign Application Priority Data**

(57) **CLAIM**

Apr. 11, 2013 (EM) 002218610-0002

The ornamental design for a centrifugal pump, as shown and described.

(51) **LOC (10) Cl.** **15-02**

DESCRIPTION

(52) **U.S. Cl.**

USPC **D15/7**

FIG. 1 is a right side perspective view of the centrifugal pump;
FIG. 2 is a left side view thereof;
FIG. 3 is a rear end view thereof wherein the broken lines in
FIG. 3 are included for the purpose of illustrating portions of
the centrifugal pump that form no part of the claimed design;
FIG. 4 is a right side view thereof;
FIG. 5 is a front end view thereof;
FIG. 6 is a bottom view thereof; and,
FIG. 7 is a top view thereof.

(58) **Field of Classification Search**

USPC D15/7-9; D23/231, 232, 225; 417/60,
417/235, 265, 321, 355, 358, 363, 359,
417/410.1, 415-416, 405, 900; 60/408,
60/412; 184/26-37; 415/140-147;
123/495, 509; D24/111

See application file for complete search history.

1 Claim, 7 Drawing Sheets



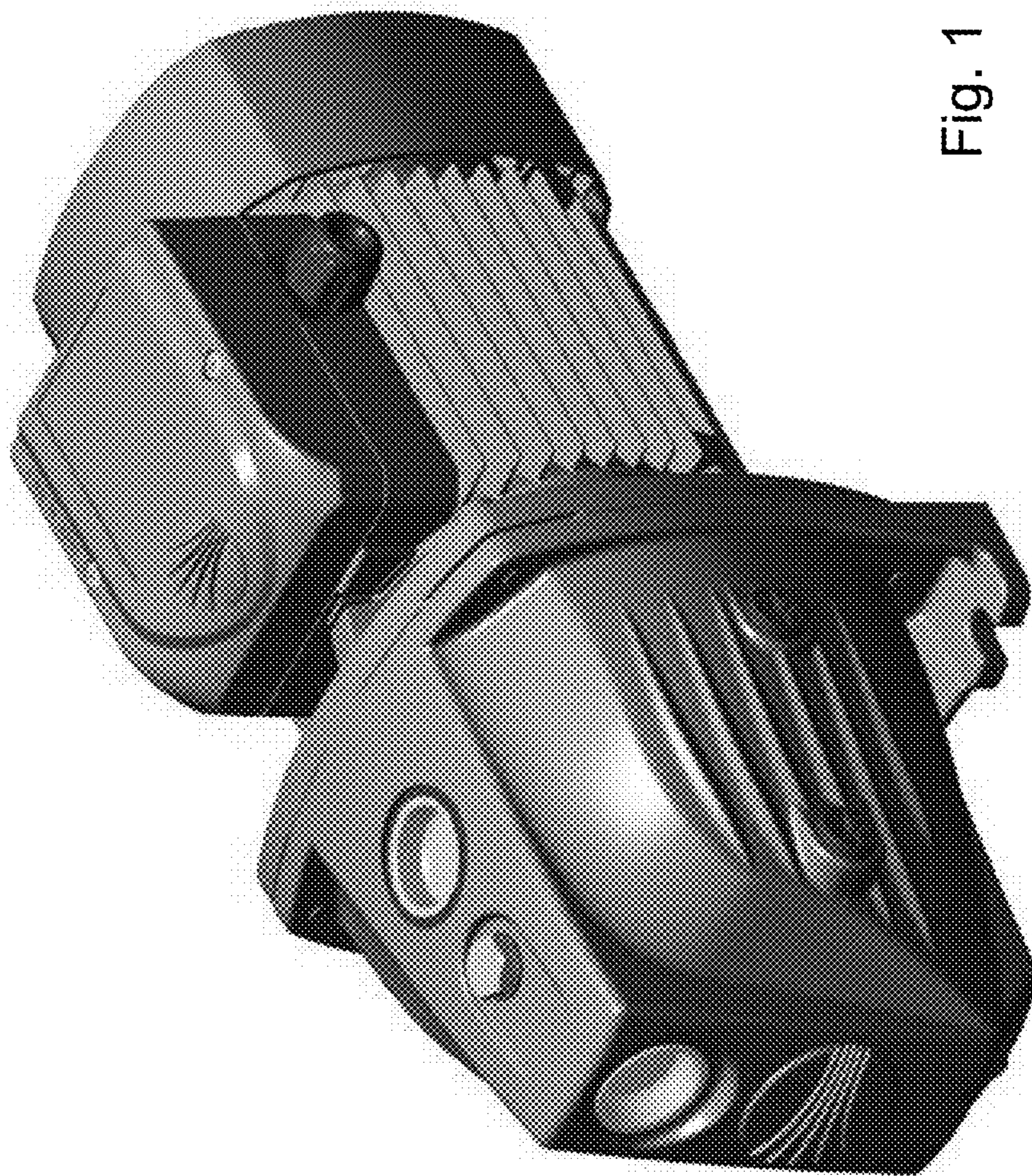


Fig. 1

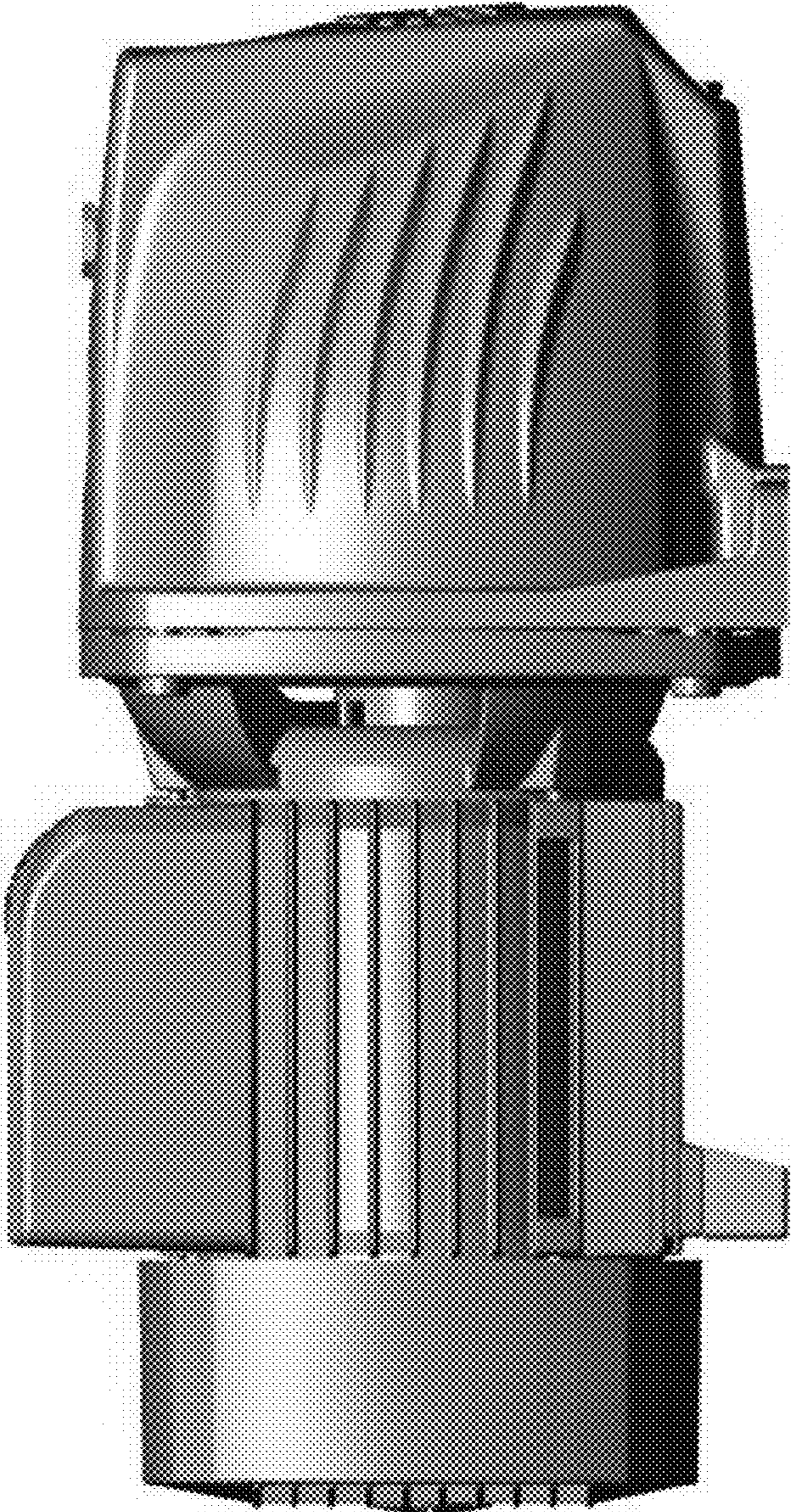


Fig. 2

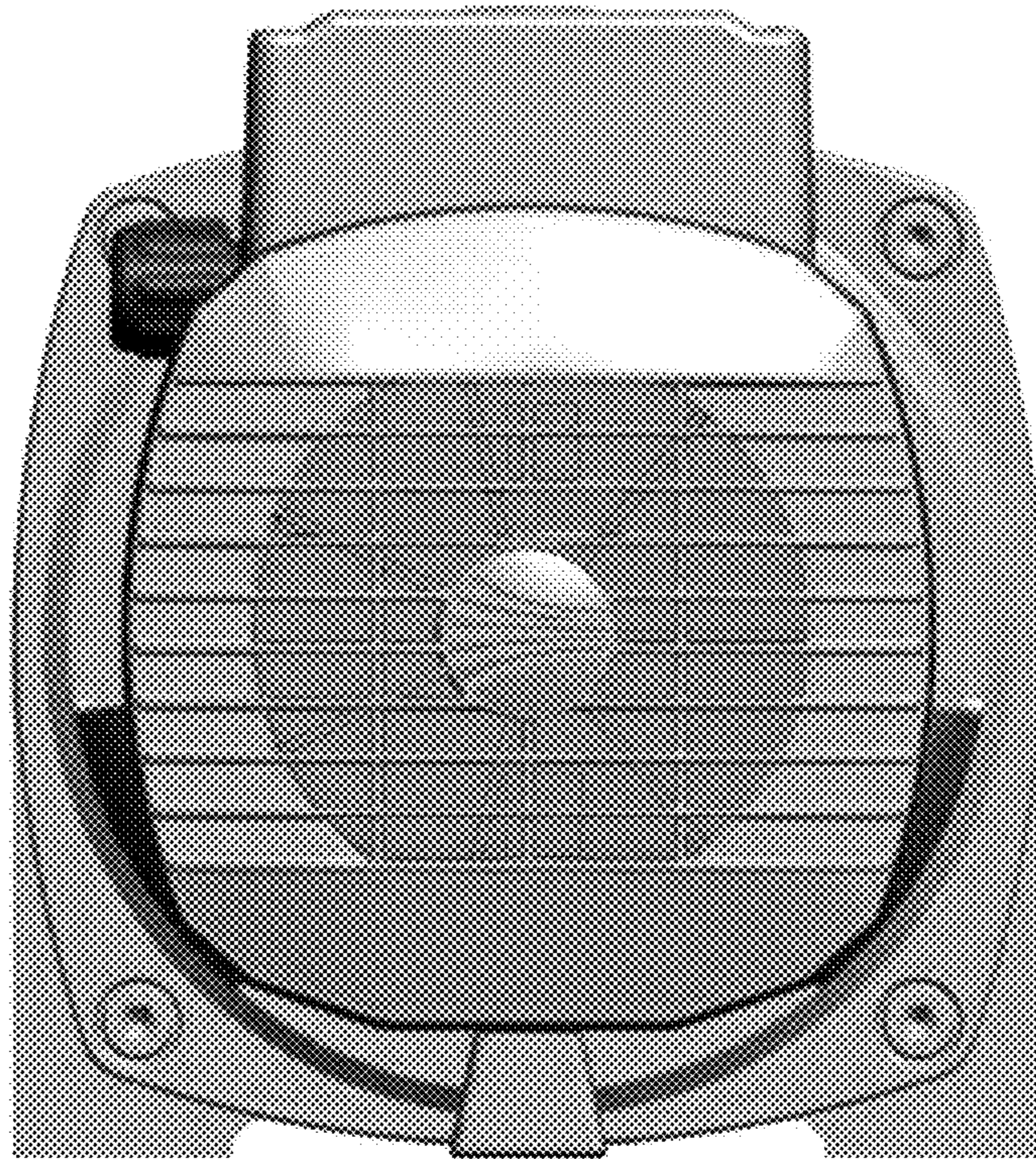


Fig. 3

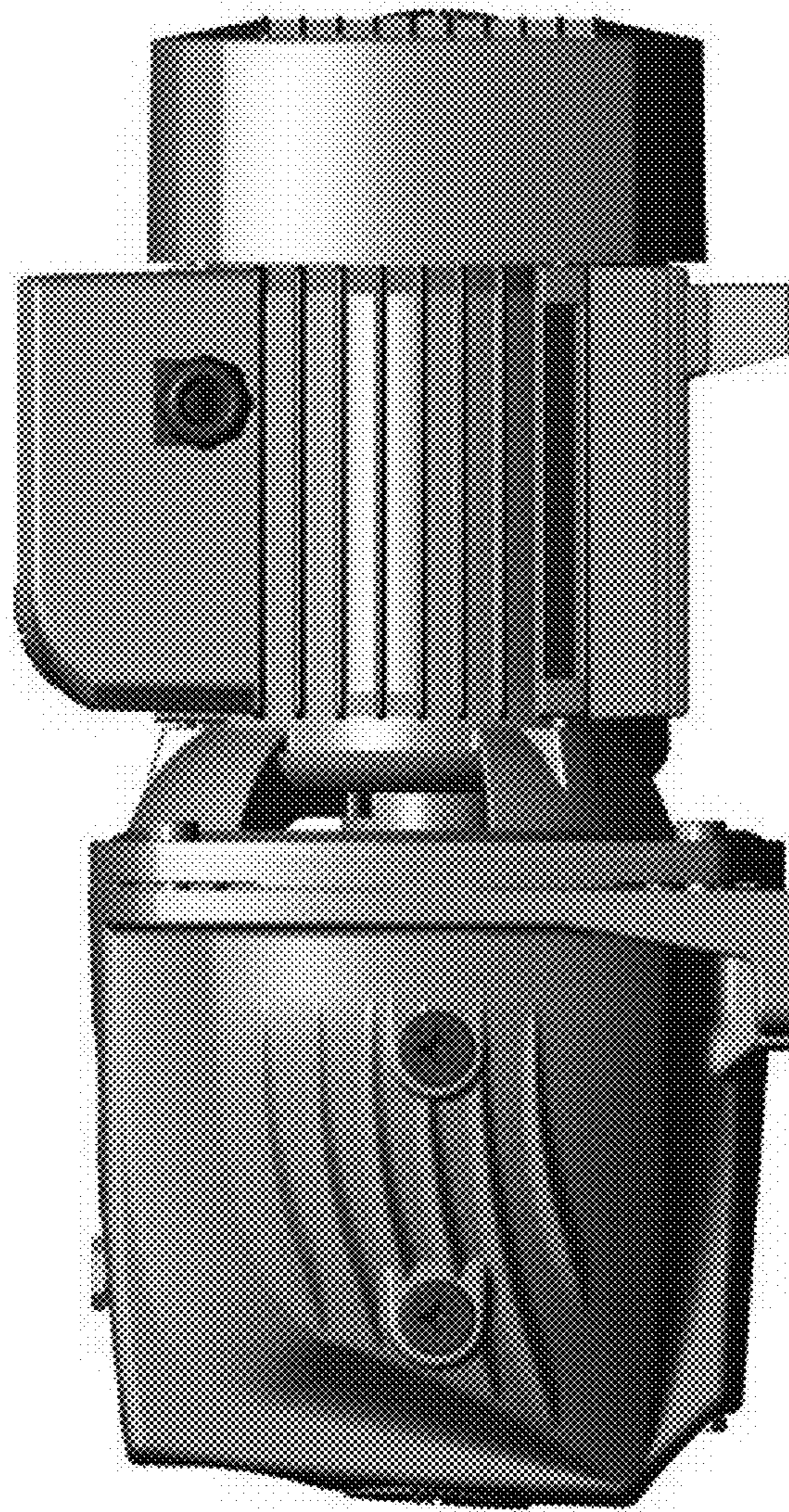


Fig. 4



Fig. 5

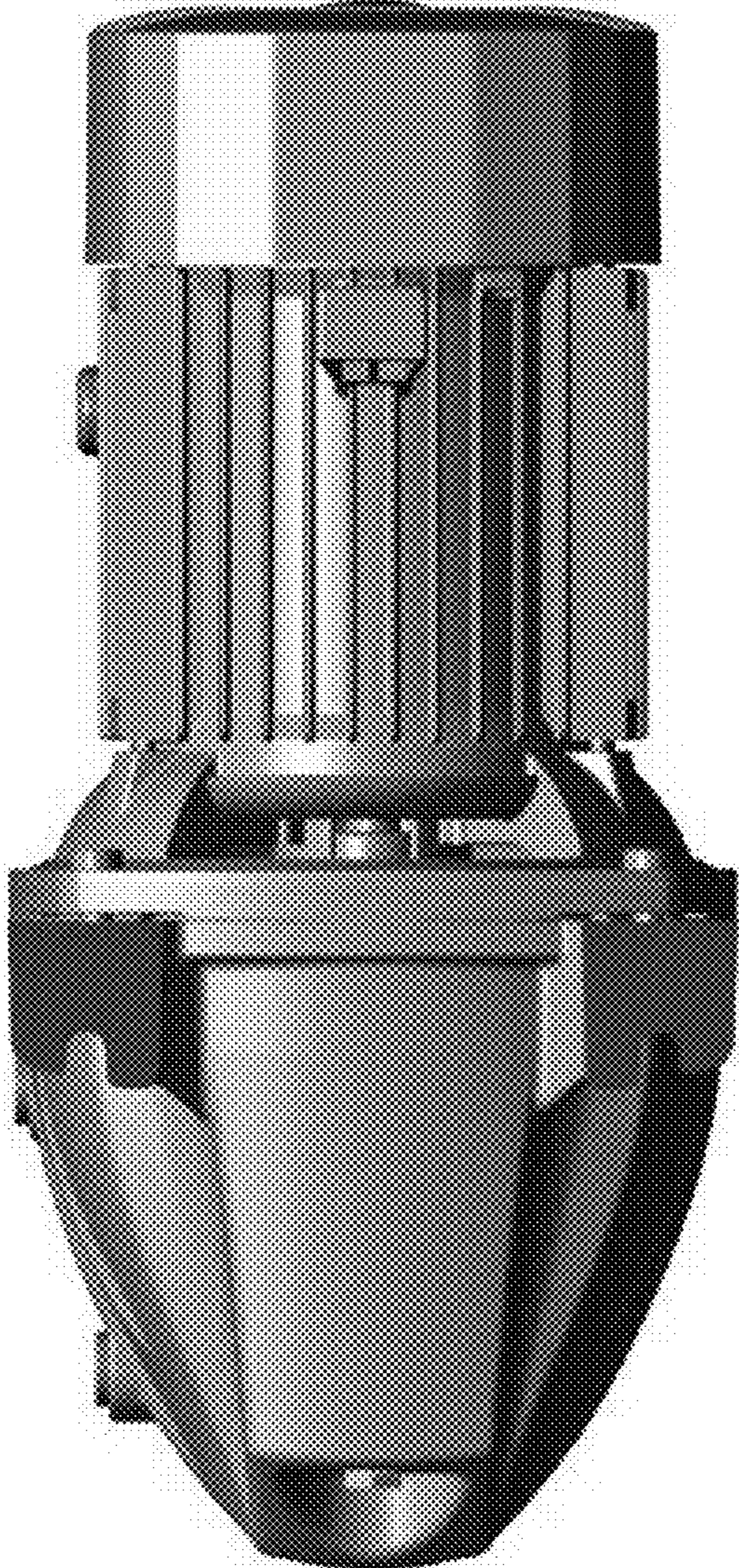


Fig. 6



Fig. 7