



US00D713850S

(12) **United States Design Patent**
Jiyoon et al.

(10) **Patent No.:** **US D713,850 S**
(45) **Date of Patent:** **** Sep. 23, 2014**

(54) **WASHING MACHINE DISPLAYING GRAPHICAL USER INTERFACE**

(75) Inventors: **Yoon Jiyoon**, Seoul (KR); **Sun Ae Kim**, Seoul (KR); **Lee Hyunjung**, Seoul (KR)

(73) Assignee: **Samsung Electronics Co., Ltd.**, Gyeonggi-do (KR)

(**) Term: **14 Years**

(21) Appl. No.: **29/413,670**

(22) Filed: **Feb. 17, 2012**

(51) **LOC (10) Cl.** **14-04**

(52) **U.S. Cl.**
USPC **D14/485**

(58) **Field of Classification Search**
USPC D14/485-495; D18/24-33; D20/11, 12, D20/18, 22-28; 715/700-867, 961-978
See application file for complete search history.

(56) **References Cited**

U.S. PATENT DOCUMENTS

D24,164 S *	4/1895	Lyll	D5/7
D125,955 S *	3/1941	Lebworth	D5/60
D256,063 S *	7/1980	Burg	D5/7
7,246,395 B2 *	7/2007	Buckroyd et al.	8/158
7,428,445 B2 *	9/2008	Lee	700/180
7,518,611 B2 *	4/2009	Boyd et al.	345/473
D644,512 S *	9/2011	Marotti et al.	D9/434

OTHER PUBLICATIONS

Reading Light Symbol—p. 36—Symbol Scorebook by Henry Dreyfuss © 1972—Henry Dreyfuss.*

Open Door Symbol—p. 103—Symbol Scorebook by Henry Dreyfuss © 1972—Henry Dreyfuss.*

Volume icon, Picons Basic 1 icon set—Iconfinder.com https://www.iconfinder.com/icons/112441/audio_circle_on_sound_volume_icon#size=64 printed from the web on Oct. 7, 2013.*

X icon, Impressionist pack—Iconfinder.com https://www.iconfinder.com/icons/176213/basic1_check_circle_close_delete_exit_remove_x_icon#size= printed from the web on Oct. 7, 2013.*

T-shirt—Trademark Registration No. 2986604, Aug. 16, 2005 First used in commerce—Jul. 2001 (Registrant) Michael Stars, Inc. Corporation California.*

Smiley face on shopping bag—Trademark Registration No. 4253039, Dec. 4, 2012 First used in commerce—Apr. 1, 2012 (Registrant) Shopzooney, Inc. Corporation Florida.*

* cited by examiner

Primary Examiner — Mary Ann Calabrese

(74) *Attorney, Agent, or Firm* — Harness, Dickey & Pierce, P.L.C.

(57) **CLAIM**

We claim the ornamental design for a washing machine displaying graphical user interface, as shown.

DESCRIPTION

The patent or application file contains at least one drawing executed in color. Copies of this patent or patent application publication with color drawing(s) will be provided by the Office upon request and payment of the necessary fee.

FIG. 1 is a front view of a washing machine displaying graphical user interface showing our new design;

FIG. 2 is a front view of a washing machine displaying graphical user interface showing an alternate embodiment of our new design;

FIG. 3 is an enlarged front view of the graphical user interface of FIG. 1; and,

FIG. 4 is an enlarged front view of the graphical user interface of FIG. 2.

The broken lines shown in FIGS. 1 and 2 are for the purpose of illustrating structure that is not part of the claimed design, but is considered necessary to show the environment in which the design is associated and forms no part of the claimed design.

1 Claim, 3 Drawing Sheets
(3 of 3 Drawing Sheet(s) Filed in Color)

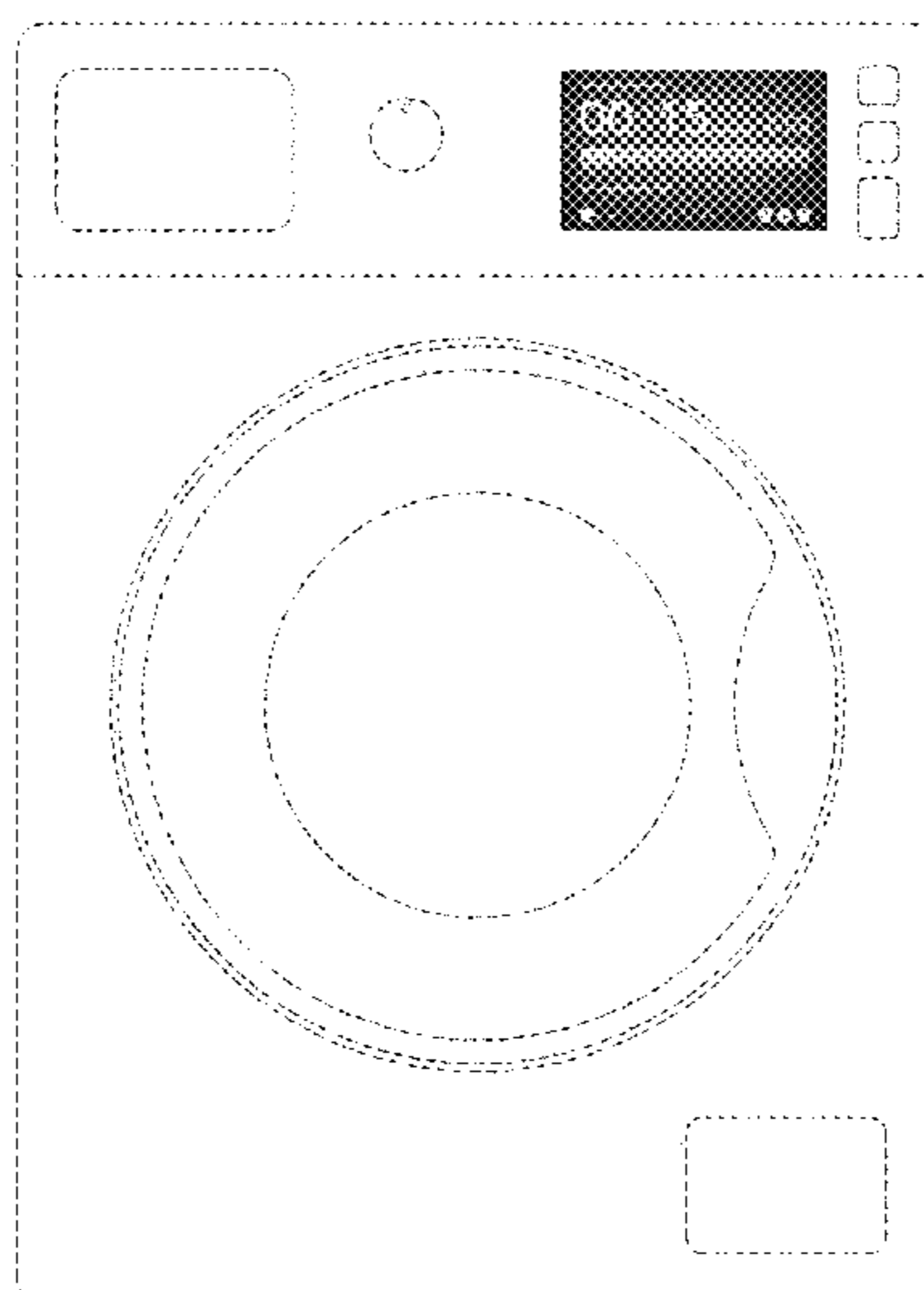


FIG. 1

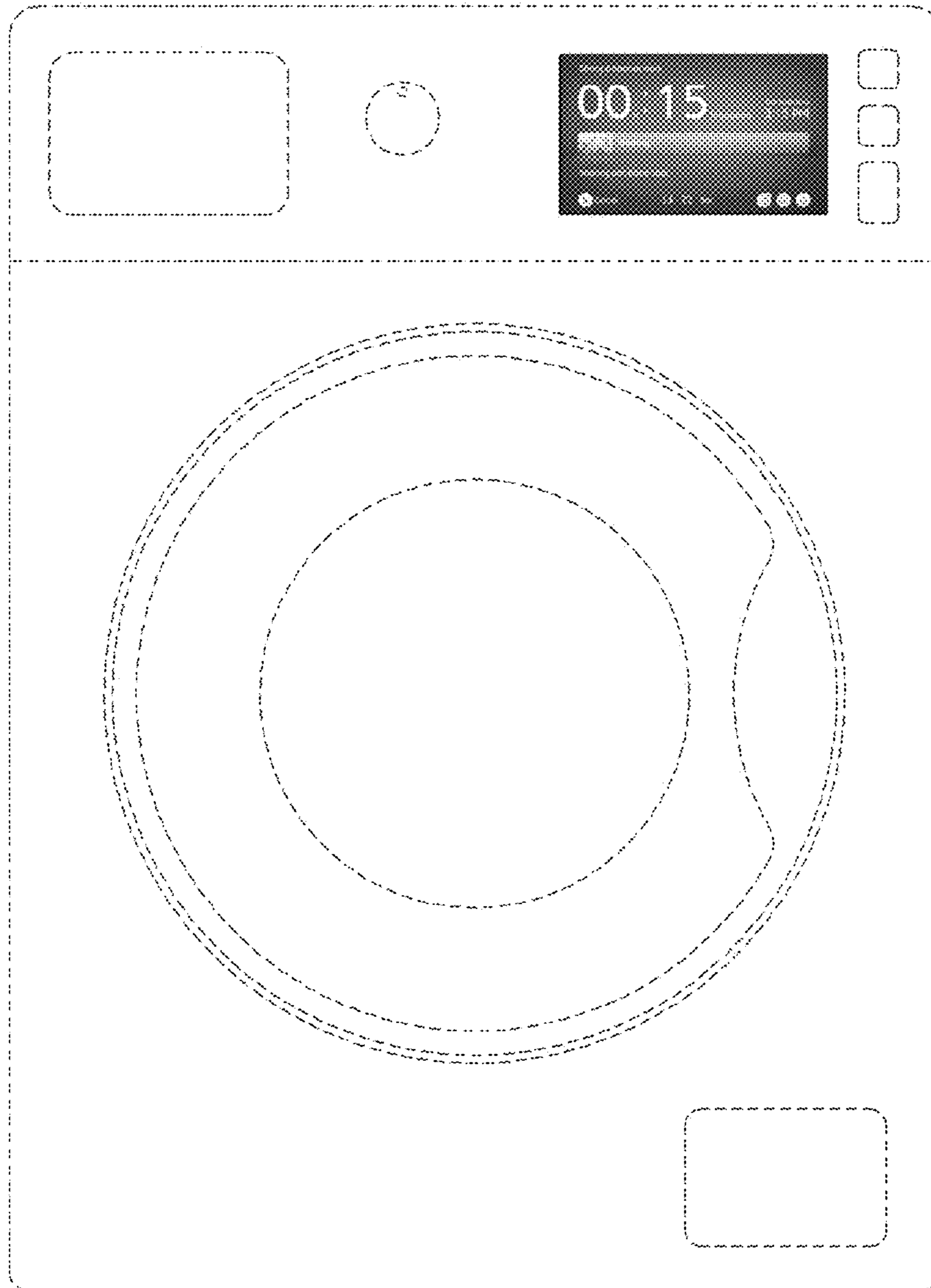


FIG.2

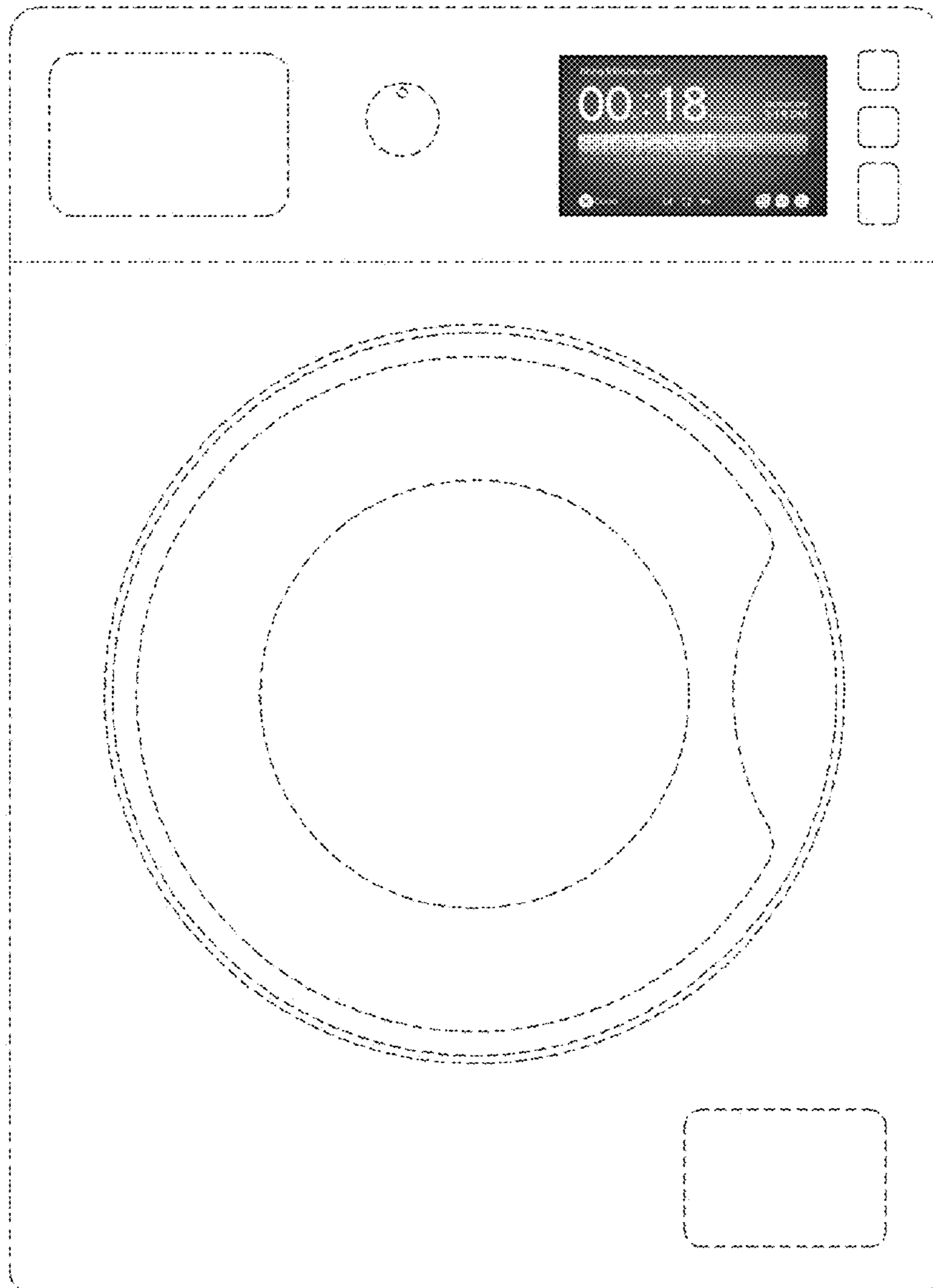


FIG.3

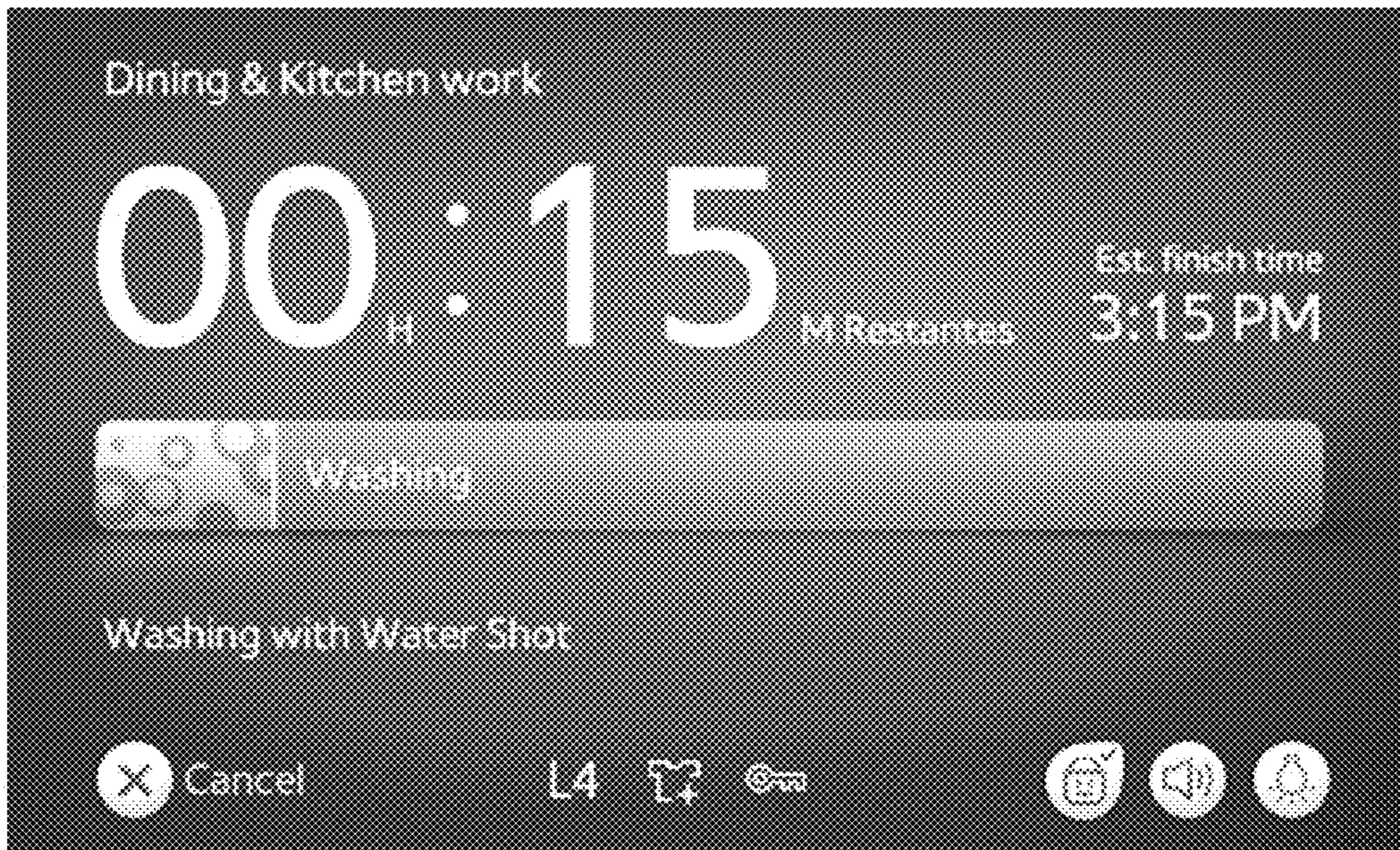


FIG.4



UNITED STATES PATENT AND TRADEMARK OFFICE
CERTIFICATE OF CORRECTION

PATENT NO. : D713,850 S
APPLICATION NO. : 29/413670
DATED : September 24, 2013
INVENTOR(S) : Jiyeon Yoon et al.

Page 1 of 1

It is certified that error appears in the above-identified patent and that said Letters Patent is hereby corrected as shown below:

On the title page item 12 should read Yoon

On the title page item 75 the 1st and 3rd inventors should read:

Jiyeon YOON

Hyunjung LEE

Signed and Sealed this
Thirtieth Day of December, 2014



Michelle K. Lee
Deputy Director of the United States Patent and Trademark Office