



US00D713848S

(12) **United States Design Patent**
Akana et al.

(10) **Patent No.:** **US D713,848 S**
(45) **Date of Patent:** **** Sep. 23, 2014**

(54) **CASE**

361/679.56; 379/426, 433.11, 455;
455/575.1, 575.8; 190/100; 206/305,
206/320

(71) Applicant: **Apple Inc.**, Cupertino, CA (US)

See application file for complete search history.

(72) Inventors: **Jody Akana**, San Francisco, CA (US);
Bartley K. Andre, Menlo Park, CA
(US); **Jeremy Bataillou**, San Francisco,
CA (US); **Daniel J. Coster**, San
Francisco, CA (US); **Daniele De Iuliis**,
San Francisco, CA (US); **M. Evans**
Hankey, San Francisco, CA (US);
Julian Hoenig, San Francisco, CA (US);
Richard P. Howarth, San Francisco, CA
(US); **Jonathan P. Ive**, San Francisco,
CA (US); **Duncan Robert Kerr**, San
Francisco, CA (US); **Shin Nishibori**,
Kailua, HI (US); **Matthew Dean**
Rohrbach, San Francisco, CA (US);
Peter Russell-Clarke, San Francisco,
CA (US); **Christopher J. Stringer**,
Woodside, CA (US); **Eugene Antony**
Whang, San Francisco, CA (US); **Rico**
Zörkendörfer, San Francisco, CA (US)

(56)

References Cited

U.S. PATENT DOCUMENTS

2,968,176 A	1/1961	Collings	
3,442,371 A	5/1969	Deshong et al.	
4,718,550 A	1/1988	Johnson	
D321,855 S	11/1991	Ross, Jr.	
5,066,158 A	11/1991	Huang	
5,092,354 A	3/1992	Pacelli, Jr.	
D331,191 S	11/1992	Ventola et al.	
D356,120 S	3/1995	Allen	
D364,191 S	11/1995	Allen	
D409,667 S	5/1999	Riley et al.	
D454,110 S	3/2002	Andre et al.	
D467,429 S	12/2002	Bone et al.	
D512,100 S	11/2005	Howes et al.	
D538,096 S	3/2007	Bartell et al.	
D556,681 S	12/2007	Kim	
D574,819 S	8/2008	Andre et al.	
D582,405 S	12/2008	Andre et al.	
D583,479 S	12/2008	Yim	
D584,141 S	1/2009	Smith et al.	
D606,751 S	12/2009	Andre et al.	
D619,361 S	7/2010	Andre et al.	
D622,716 S	8/2010	Andre et al.	
D627,777 S	11/2010	Akana et al.	
D633,388 S	3/2011	Andre et al.	
D637,814 S	5/2011	Akana et al.	
D639,296 S	* 6/2011	Tseng et al.	D14/345
D641,348 S	* 7/2011	Kim et al.	D14/250
D649,785 S	* 12/2011	Akana et al.	D3/303
D652,829 S	* 1/2012	Kim et al.	D14/250
D656,495 S	3/2012	Andre et al.	
D657,354 S	* 4/2012	Kim	D14/250
D658,186 S	4/2012	Akana et al.	
D658,187 S	4/2012	Diebel	
D658,188 S	4/2012	Diebel	
D658,880 S	* 5/2012	Akana et al.	D3/303
D662,100 S	6/2012	Van Den Nieuwenhuizen et al.	
D662,503 S	6/2012	Akana et al.	
D663,304 S	* 7/2012	Akana et al.	D14/440
D670,499 S	* 11/2012	Akana et al.	D3/303
D670,692 S	11/2012	Andre et al.	
D671,114 S	* 11/2012	Akana et al.	D14/341
D671,948 S	* 12/2012	Akana et al.	D14/440
D672,781 S	* 12/2012	Lu	D14/440

(73) Assignee: **Apple Inc.**, Cupertino, CA (US)

(**) Term: **14 Years**

(21) Appl. No.: **29/448,734**

(22) Filed: **Mar. 13, 2013**

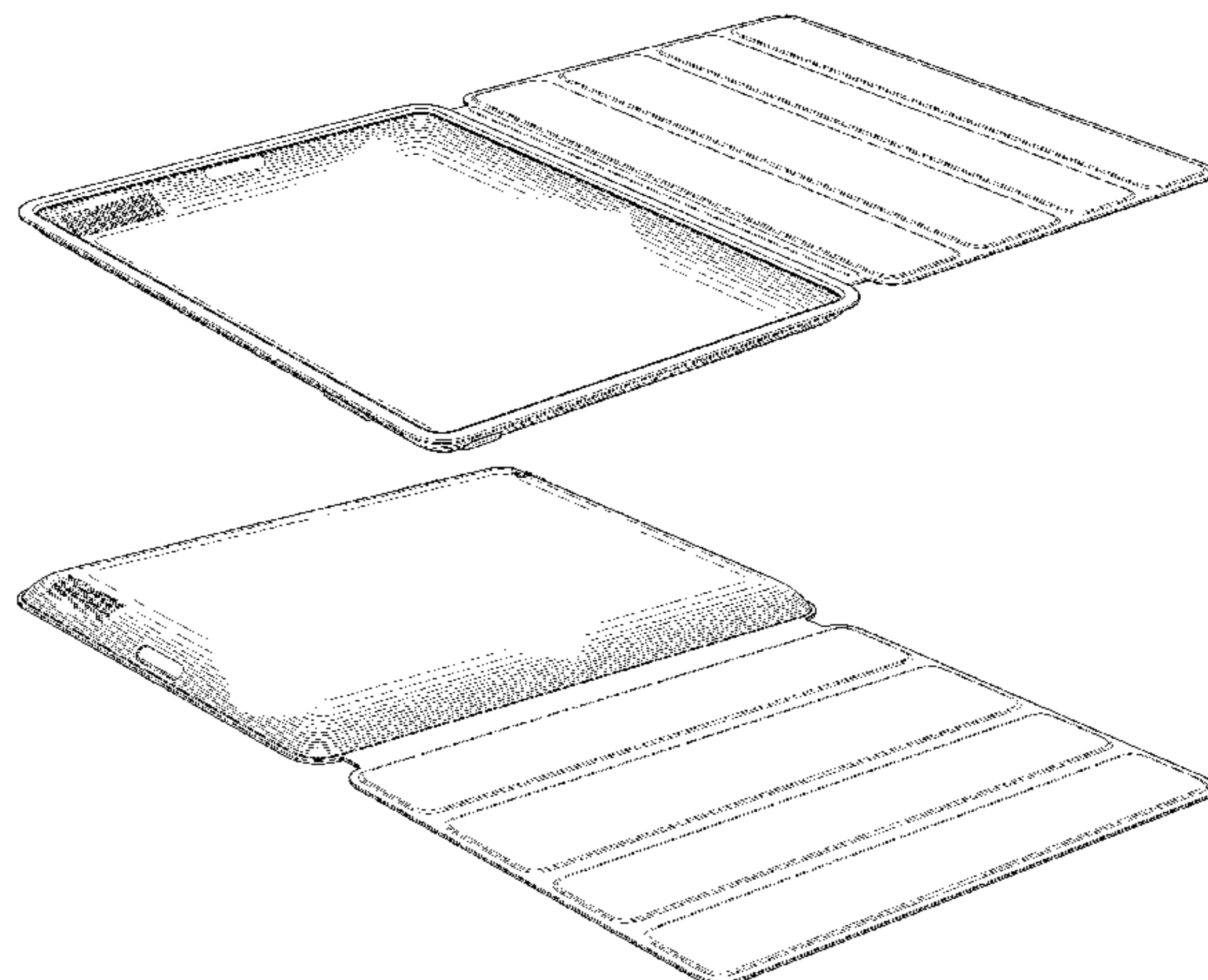
Related U.S. Application Data

(63) Continuation of application No. 29/415,035, filed on
Mar. 6, 2012, now abandoned.

(51) **LOC (10) Cl.** **14-02**

(52) **U.S. Cl.**
USPC **D14/440**

(58) **Field of Classification Search**
USPC D14/138 G, 250, 251, 253, 240, 217,
D14/496, 440, 203.3, 203.4, 203.5, 203.8,
D14/341, 318, 345; D3/218, 215, 201, 269,
D3/273, 294, 289, 303, 327, 900;
D21/469; 220/4.02; 248/309.1;



D674,799	S	*	1/2013	Kim	D14/440
D674,800	S	*	1/2013	Kim	D14/440
D678,260	S	*	3/2013	Bau	D14/250
D679,279	S	*	4/2013	Yang et al.	D14/440
D679,715	S	*	4/2013	Akana et al.	D14/440
D681,641	S	*	5/2013	Van Den Nieuwenhuizen et al.	D14/440
D682,836	S	*	5/2013	Akana et al.	D14/440
D682,838	S	*	5/2013	Akana et al.	D14/440
D687,438	S	*	8/2013	Lu	D14/440
D688,251	S	*	8/2013	Akana et al.	D14/440
D688,868	S	*	9/2013	Akana et al.	D3/303
D689,482	S	*	9/2013	Akana et al.	D14/341
D689,498	S	*	9/2013	Akana et al.	D14/440
D690,703	S	*	10/2013	Welch et al.	D14/440
D691,142	S	*	10/2013	Diebel	D14/440
D691,143	S	*	10/2013	Diebel	D14/440
D691,145	S	*	10/2013	Nam-Su	D14/440
D691,611	S	*	10/2013	Kirzinger	D14/440
D692,433	S	*	10/2013	Akana et al.	D14/440
D692,434	S	*	10/2013	Kim	D14/440
D694,741	S	*	12/2013	Kim	D14/250
D696,253	S	*	12/2013	Akana et al.	D14/345
D696,256	S	*	12/2013	Piedra et al.	D14/440
D696,669	S	*	12/2013	Akana et al.	D14/440
D696,693	S	*	12/2013	Kim et al.	D14/496
2009/0107858	A1		4/2009	Huang		
2009/0194209	A1		8/2009	De Filippis et al.		
2010/0289390	A1		11/2010	Kenney		
2010/0300909	A1		12/2010	Hung		
2011/0164365	A1		7/2011	McClure et al.		
2013/0020216	A1*		1/2013	Chiou	206/320
2013/0048520	A1*		2/2013	Garrett et al.	206/320
2013/0233762	A1*		9/2013	Balaji et al.	206/736
2013/0277271	A1*		10/2013	Toulotte	206/752

FOREIGN PATENT DOCUMENTS

EM	001266266-0001	3/2011
EM	001266282-0001	3/2011
EM	001266290-0001	3/2011
GB	4020173	6/2011
TW	D154071	6/2013

OTHER PUBLICATIONS

Incase, "Introducing the Convertible Magazine Jacket for iPad," goincase.com, accessed at <http://goincasing.com/blog/2010/11/23/introducing-the-convertible-magazine-jacket-for-ipad/>, posted Nov. 23, 2010, 7 pages.

Case-Parts, "Original Targus Folding Genuine Leather Case for Apple iPad with Built-in Holder," <http://www.case-parts.com/details/Onginal-Targus-Folding-Genuine-Leather-Case-for-Apple-iPad-with-Built-in-holder-IPAD-570/photos.htm>, 3 pages.

"Review: AViiQ Smart Case for iPad 2", which was published on YouTube at <http://www.youtube.com/watch?v=DaHizeVWEuA>, May 24, 2011, 3 pages.

"AViiQ Smart Case for iPad 2 compliments Apple's Smart Cover (Review)", which was published on YouTube at <http://www.youtube.com/watch?v=wMoZM-ZSn4g>, Aug. 31, 2011, 2 pages.

Design U.S. Appl. No. 29/415,062, filed Mar. 7, 2012, "Case", Akana et al. (not published).

Youtube.com, "iPad 2—Best Protective Case—Smart Cover + Smart Back Cover by Simplism", <http://www.youtube.com/watch?v=SRHhU98NAd0&feature=endscreen&NR=1>), May 15, 2011, 2 pages.

* cited by examiner

Primary Examiner — Deanna L Pratt
Assistant Examiner — Lilyana Bekic
 (74) *Attorney, Agent, or Firm* — Sterne, Kessler, Goldstein & Fox P.L.L.C.

(57) **CLAIM**
 The ornamental design for a case, as shown and described.

DESCRIPTION

FIG. 1 is a top front perspective view of a case in an open position showing our new design in an open position;
 FIG. 2 is a bottom rear perspective view thereof;
 FIG. 3 is a front view thereof;
 FIG. 4 is a rear view thereof;
 FIG. 5 is a bottom view thereof;
 FIG. 6 is a top view thereof;
 FIG. 7 is an enlarged left side view thereof showing the case in an open position;
 FIG. 8 is an enlarged right side view thereof showing the case in an open position;
 FIG. 9 is a front view thereof showing the case in a closed position;
 FIG. 10 is an enlarged bottom view of the case in an open position in two parts;
 FIG. 11 is an enlarged top view thereof in two parts;
 FIG. 12 is a cross-sectional view taken along line 12-12 of FIG. 3;
 FIG. 13 is a cross-sectional view taken along line 13-13 of FIG. 9;
 FIG. 14 is a cross-sectional view taken along lines 14-14 of FIG. 3; and,
 FIG. 15 is an enlarged cross-sectional view of a portion of FIG. 14.

The dot-dash-dot lines in FIGS. 10 and 11 show the location at which the two parts of each figure are divided for ease of illustration, and form no part of the claimed design. The dot-dot-dash line in FIG. 14 forms no part of the claimed design.

1 Claim, 9 Drawing Sheets

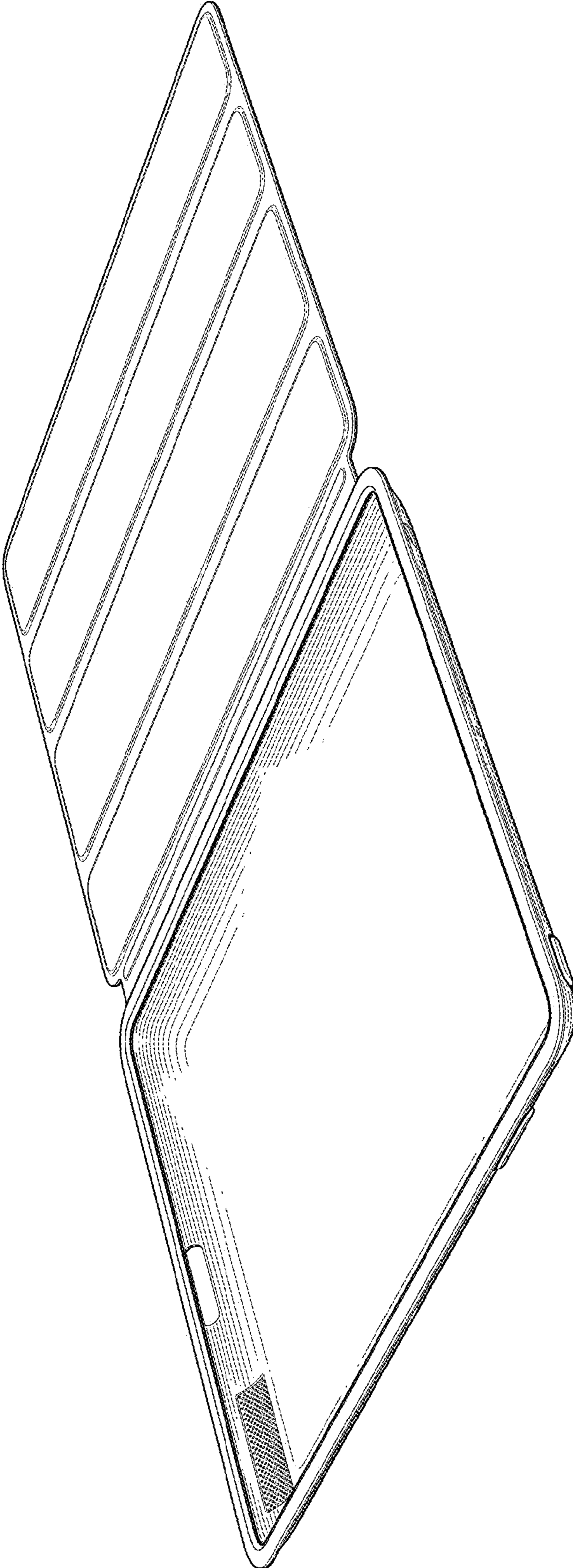


FIG. 1

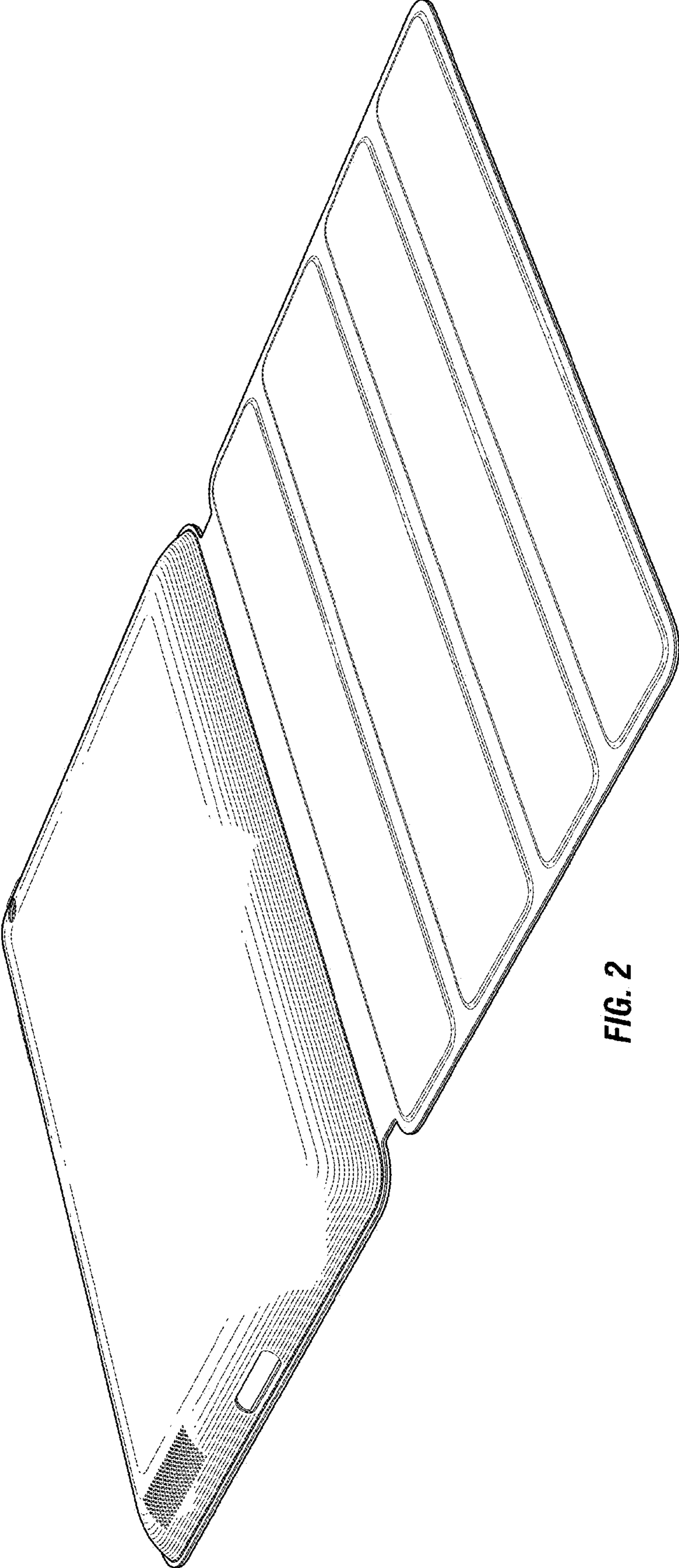


FIG. 2

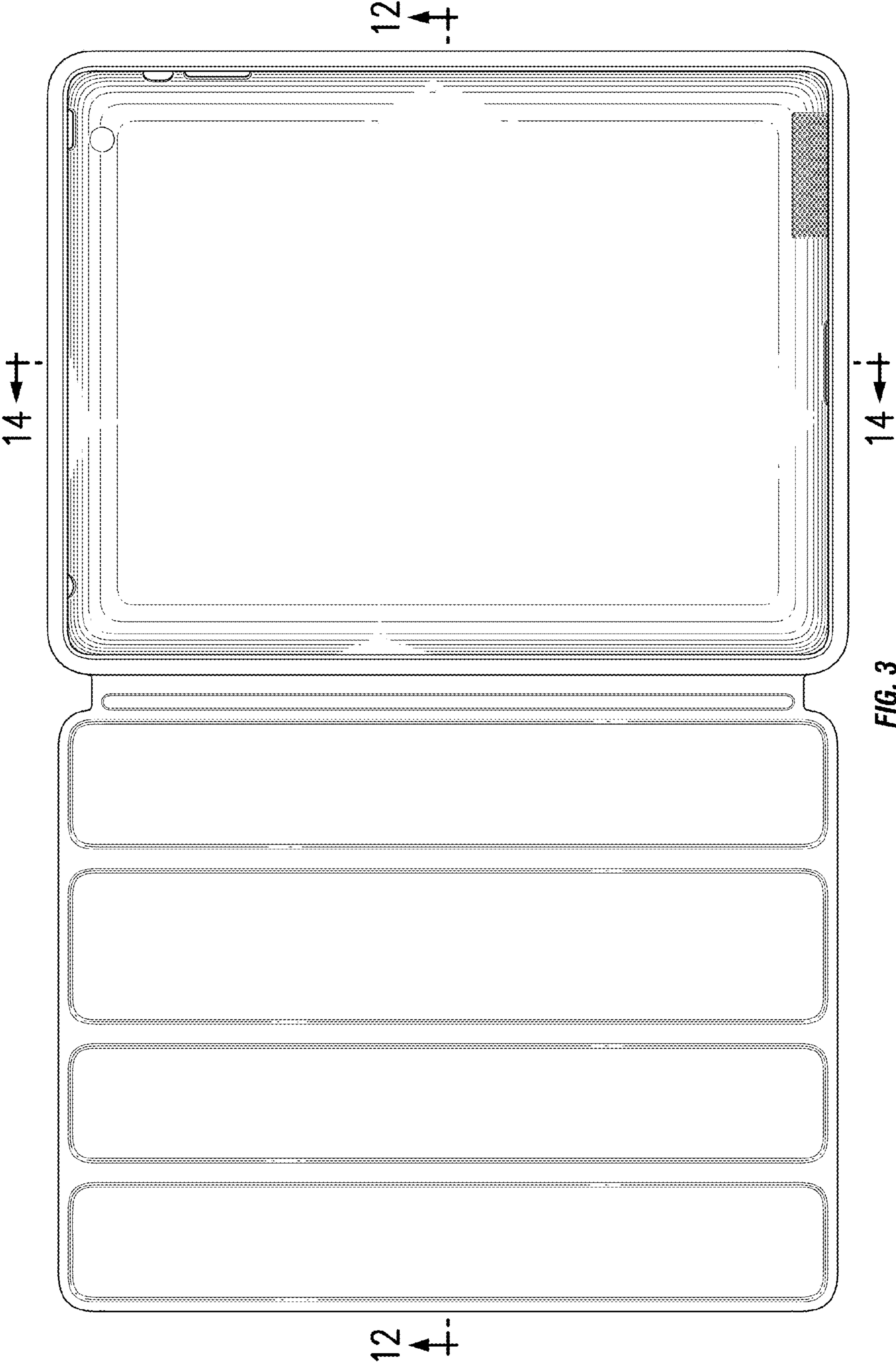


FIG. 3

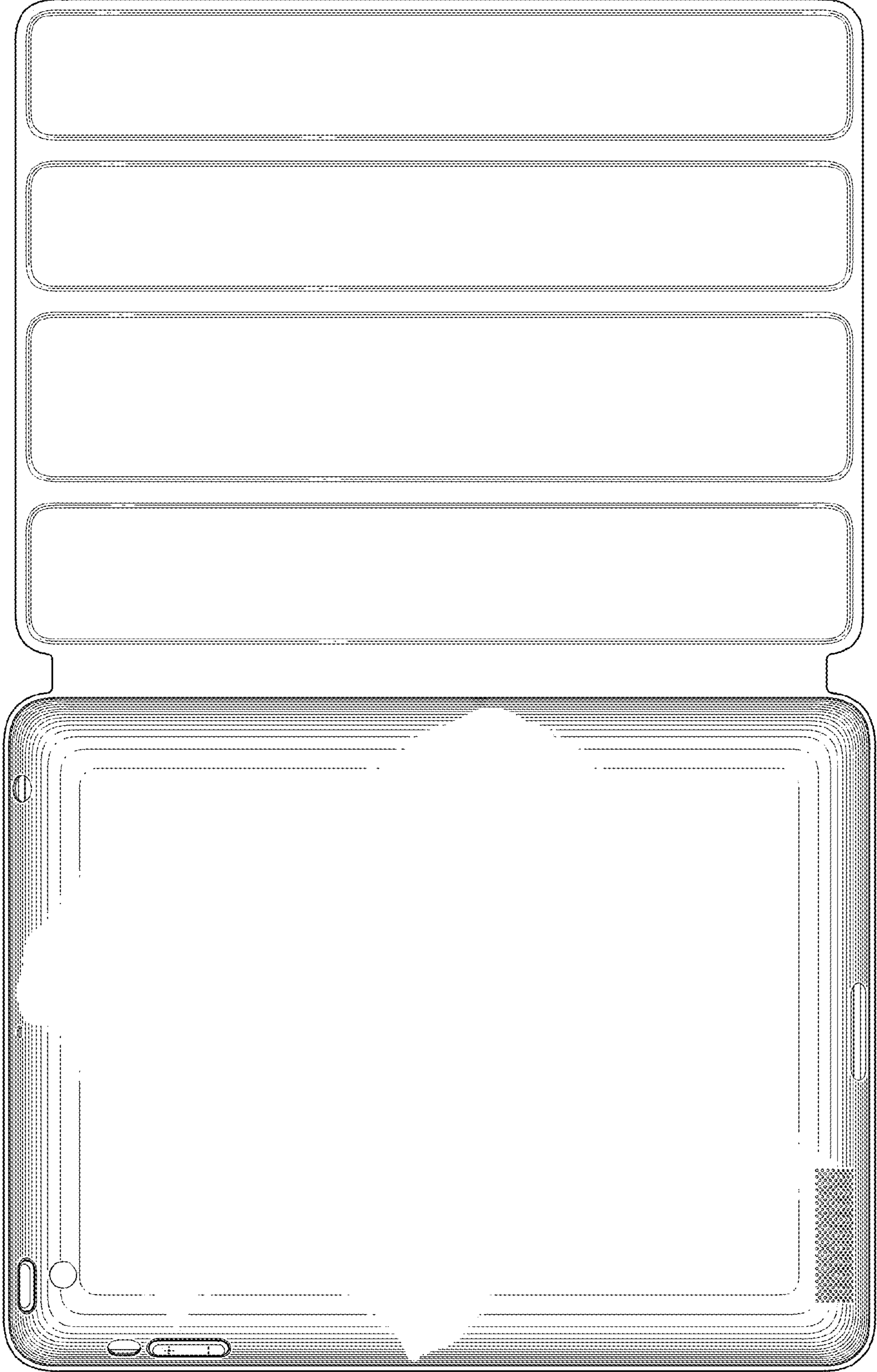


FIG. 4

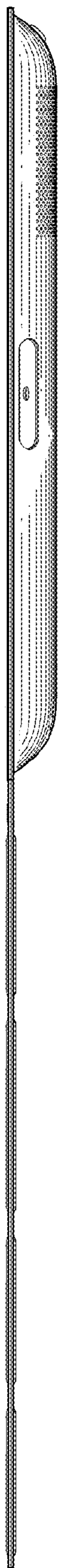


FIG. 5

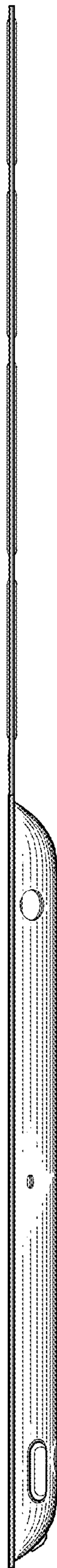


FIG. 6

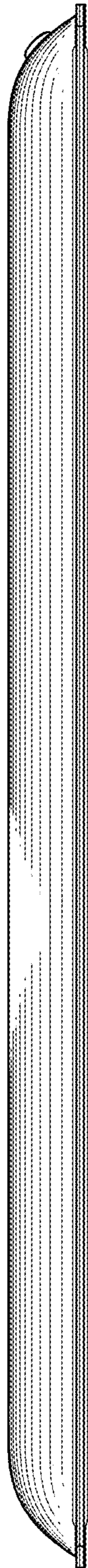


FIG. 7



FIG. 8

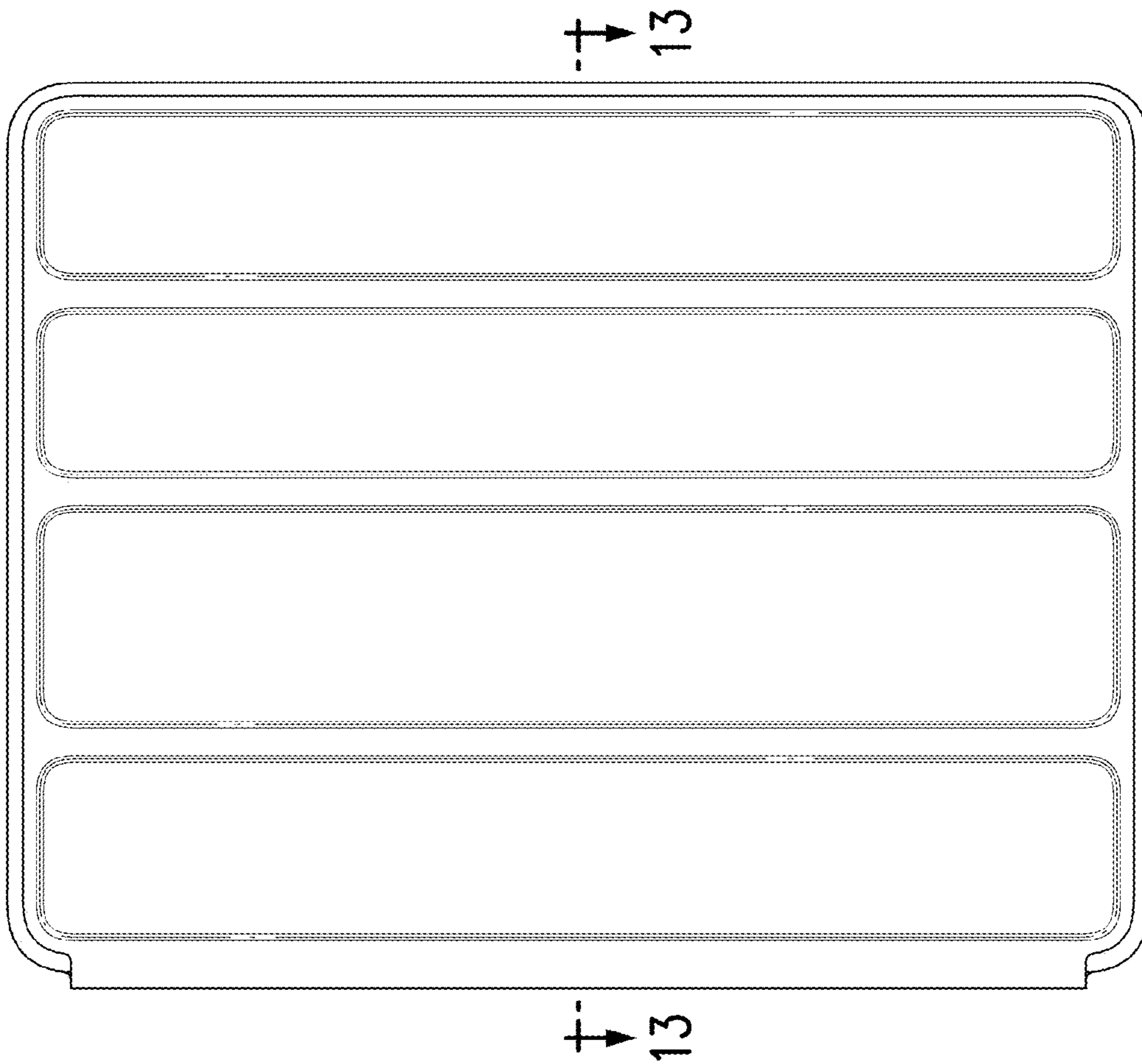


FIG. 9

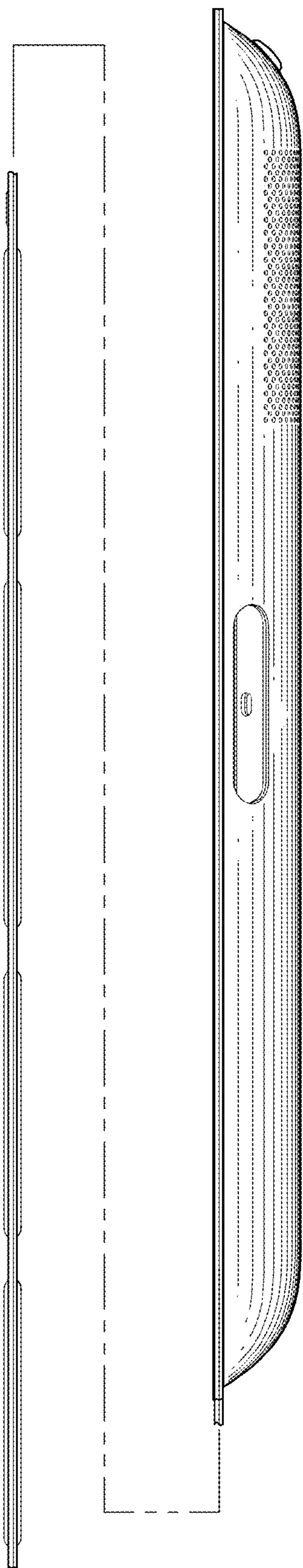


FIG. 10

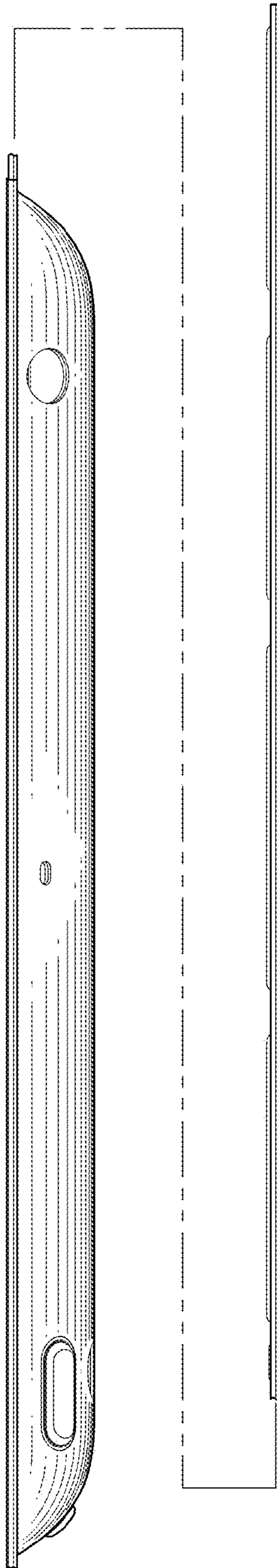


FIG. 11

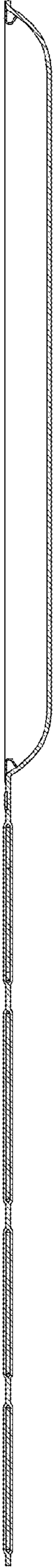


FIG. 12

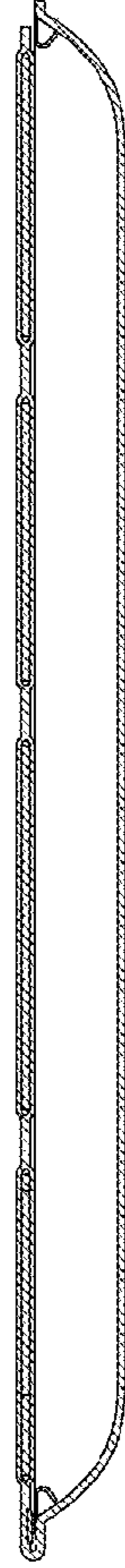


FIG. 13

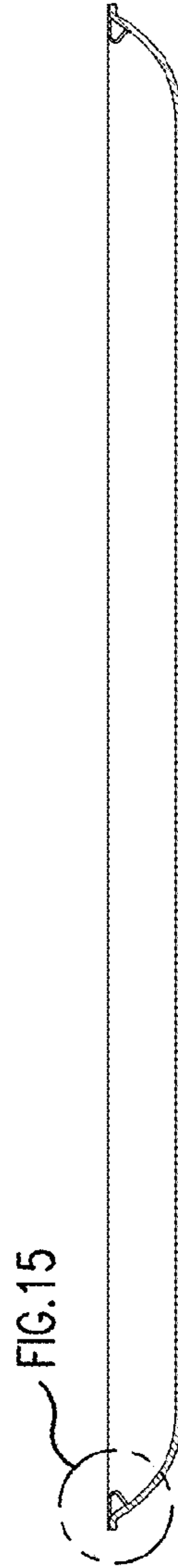


FIG. 14

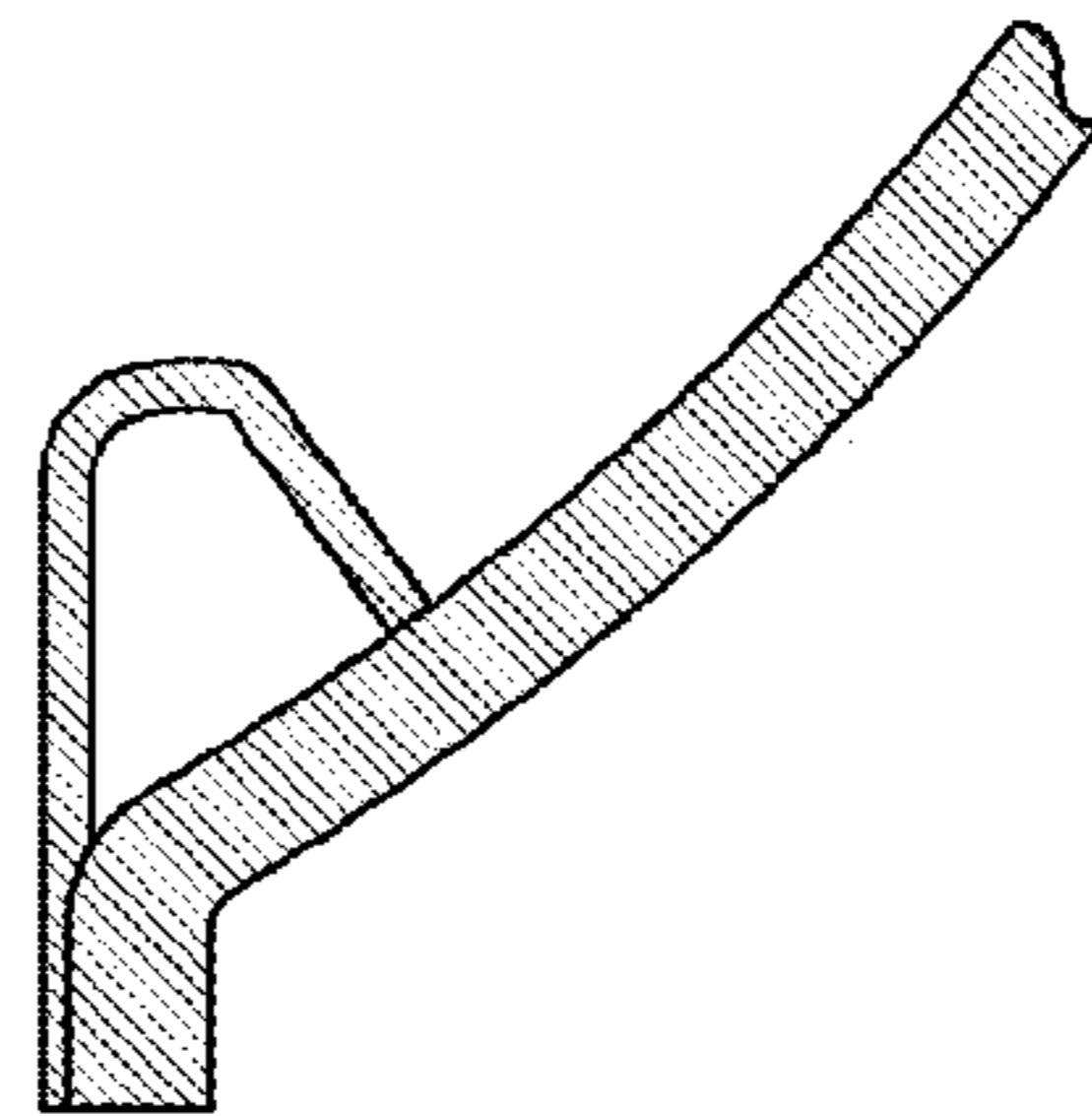


FIG. 15

FIG. 15