



US00D713847S

(12) **United States Design Patent**
Su

(10) **Patent No.:** **US D713,847 S**
(45) **Date of Patent:** **** Sep. 23, 2014**

- (54) **MOBILE DEVICE CASE**
 - (75) Inventor: **I-Hsuan Su**, New Taipei (TW)
 - (73) Assignee: **Fu-Hsiang Chang**, New Taipei (TW)
 - (**) Term: **14 Years**
 - (21) Appl. No.: **29/431,570**
 - (22) Filed: **Sep. 9, 2012**
 - (51) **LOC (10) Cl.** **14-02**
 - (52) **U.S. Cl.**
USPC **D14/440**
 - (58) **Field of Classification Search**
USPC D14/250, 251, 253, 240, 217, 496, 440,
D14/203.3, 203.4, 203.5, 203.8, 341, 318,
D14/44, 439, 432; D3/218, 215, 201, 294,
D3/289, 900; 220/4.02; 248/309.1;
361/679.56; 379/426, 433.11, 455;
455/575.1, 575.8; 190/100; 206/305,
206/320; D21/469
- See application file for complete search history.

(56) **References Cited**

U.S. PATENT DOCUMENTS

2,354,782	A *	8/1944	Stradling et al.	281/16
D230,376	S *	2/1974	Andrew	D19/91
4,259,568	A *	3/1981	Dynesen	235/1 D
4,703,160	A *	10/1987	Narishima et al.	235/1 D
4,718,550	A *	1/1988	Johnson	206/387.13
D323,937	S *	2/1992	Solomon	D3/299
5,375,076	A *	12/1994	Goodrich et al.	361/679.17
5,480,118	A *	1/1996	Cross	248/459
D513,008	S *	12/2005	Takizawa et al.	D14/447
D524,051	S *	7/2006	Krueger	D3/303
7,191,926	B1 *	3/2007	Costantino et al.	224/605
7,318,521	B2 *	1/2008	Lau	206/45.24
D582,405	S *	12/2008	Andre et al.	D3/299
7,542,052	B2 *	6/2009	Solomon et al.	345/659
7,561,415	B2 *	7/2009	Liou et al.	361/679.26
D637,814	S *	5/2011	Akana et al.	D3/303
D641,348	S *	7/2011	Kim et al.	D14/250

D646,266	S *	10/2011	Kim et al.	D14/250
D657,354	S *	4/2012	Kim	D14/250
D658,877	S *	5/2012	Janus	D3/301
D659,139	S *	5/2012	Gengler	D14/392
D663,304	S *	7/2012	Akana et al.	D14/440
8,230,992	B2 *	7/2012	Law et al.	206/320
D665,812	S *	8/2012	Huang et al.	D14/447
8,235,208	B2 *	8/2012	Sirichai et al.	206/320
D669,480	S *	10/2012	Piedra et al.	D14/440
D670,703	S *	11/2012	Hasbrook et al.	D14/447
D672,353	S *	12/2012	Liu	D14/440
D672,781	S *	12/2012	Lu	D14/440
D674,799	S *	1/2013	Kim	D14/440
D677,261	S *	3/2013	Hsu et al.	D14/447

(Continued)

Primary Examiner — Cynthia Underwood

(74) *Attorney, Agent, or Firm* — Muncy, Geissler, Olds & Lowe, P.C.

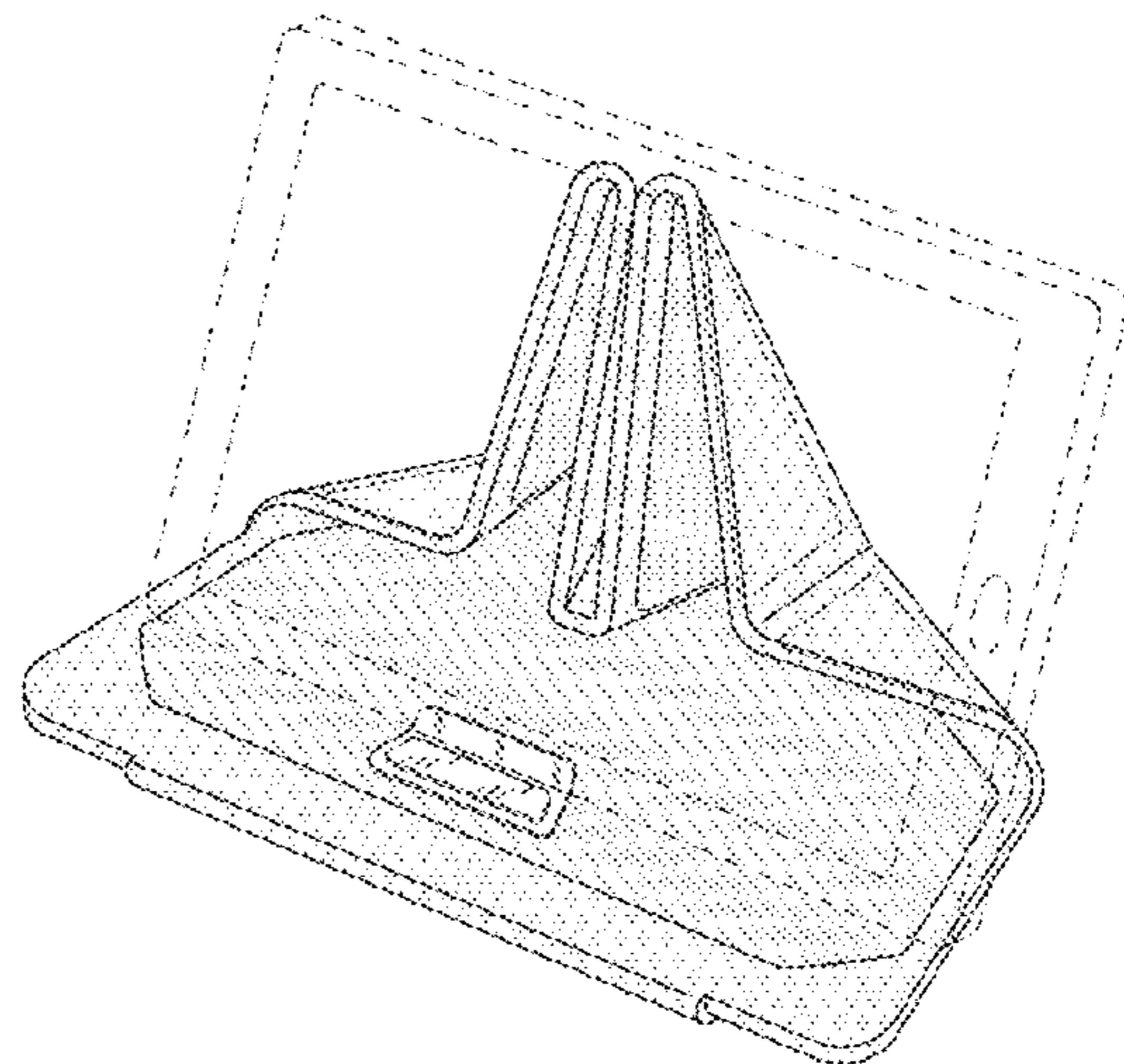
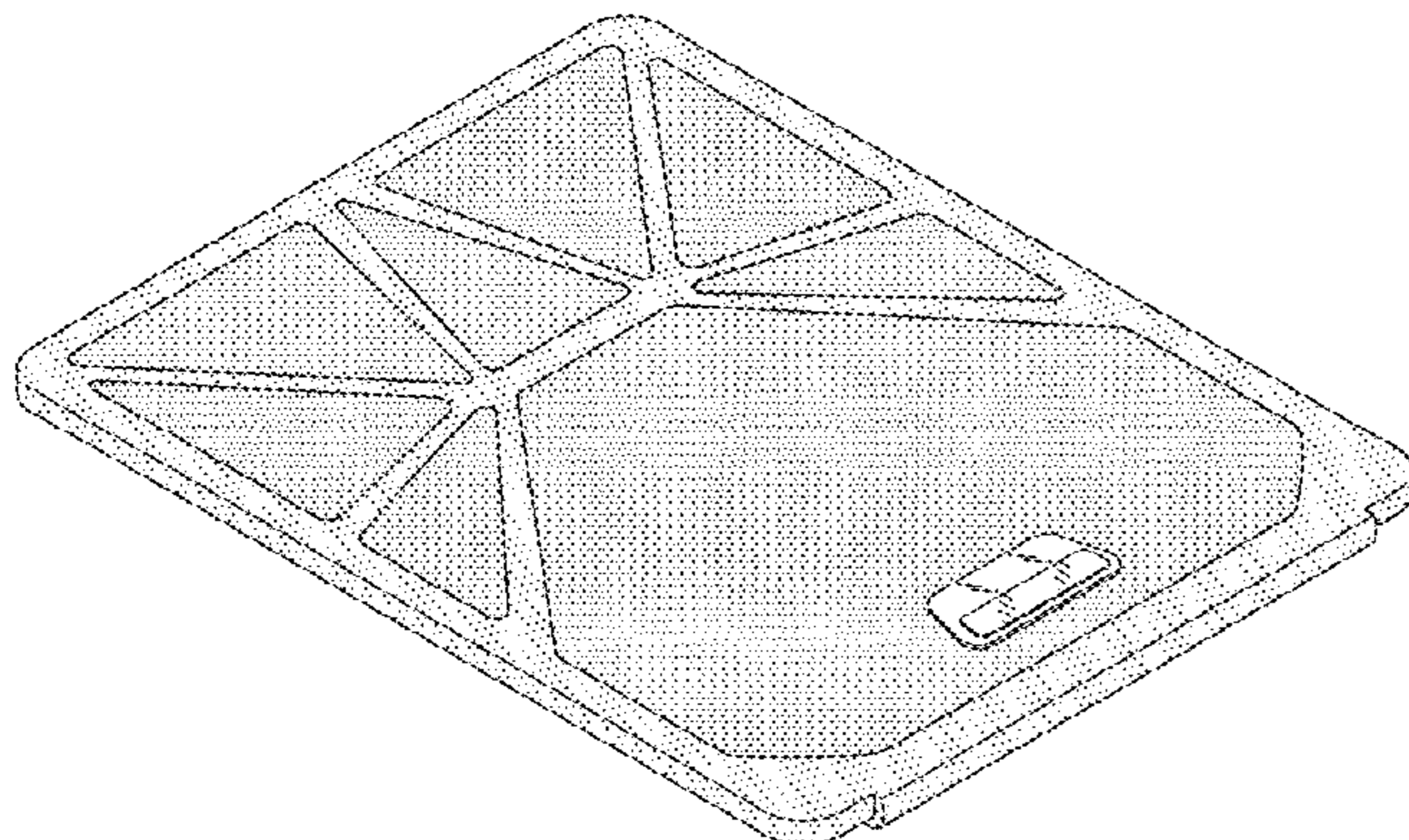
(57) **CLAIM**

The ornamental design for a mobile device case, as shown and described.

DESCRIPTION

FIG. 1 is a front perspective view of a mobile device case showing my new design;
 FIG. 2 is a front elevational view thereof;
 FIG. 3 is a rear elevational view thereof;
 FIG. 4 is a left side elevational view thereof;
 FIG. 5 is a right side elevational view thereof;
 FIG. 6 is a top plan view thereof;
 FIG. 7 is a bottom plan view thereof;
 FIG. 8 is a front perspective view of the case of FIGS. 1-7 in a folded state showing the case in an environment in which it may be used;
 FIG. 9 is a rear perspective view thereof; and,
 FIG. 10 is a front perspective view of the mobile device case in a folded state in an environment of use.
 The broken lines are included for illustrative purposes only and form no part of the claimed design.

1 Claim, 8 Drawing Sheets



(56)

References Cited

U.S. PATENT DOCUMENTS

D677,668	S	*	3/2013	Phillips et al.	D14/440	2004/0202858	A1*	10/2004	Lee	428/332
D678,272	S	*	3/2013	Groene et al.	D14/345	2009/0017883	A1*	1/2009	Lin	455/575.8
D679,279	S	*	4/2013	Yang et al.	D14/440	2010/0110625	A1*	5/2010	Chen	361/679.02
D681,041	S	*	4/2013	Phillips et al.	D14/440	2010/0294909	A1*	11/2010	Hauser et al.	248/456
D693,823	S	*	11/2013	Chen et al.	D14/440	2010/0300909	A1*	12/2010	Hung	206/320
D695,296	S	*	12/2013	Hsu	D14/440	2012/0043231	A1*	2/2012	Perrier et al.	206/216
2001/0040561	A1*		11/2001	Weinzierl et al.	345/169	2012/0170212	A1*	7/2012	Gallouzi et al.	361/679.56
							2012/0194448	A1*	8/2012	Rothkopf	345/173
							2012/0211613	A1*	8/2012	Yang et al.	248/174

* cited by examiner

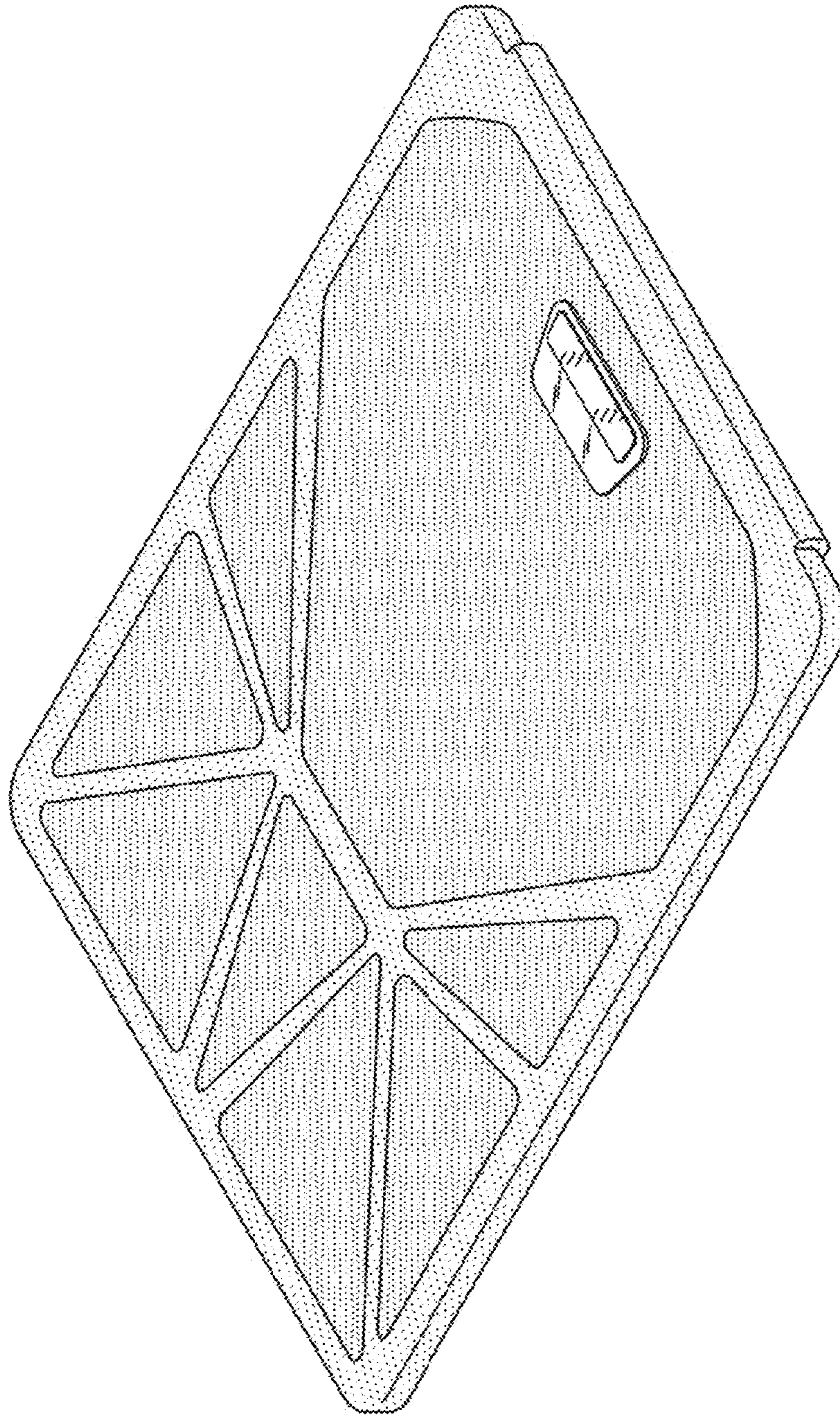


FIG. 1

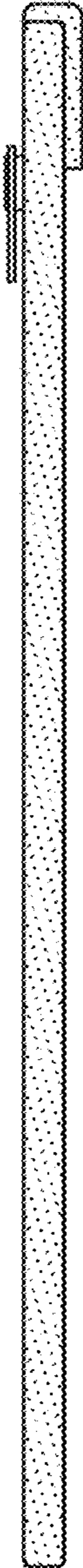


FIG. 2



FIG. 3

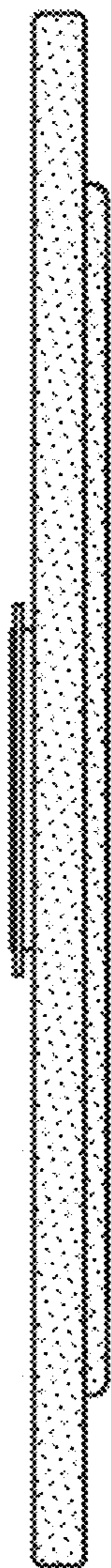


FIG. 4

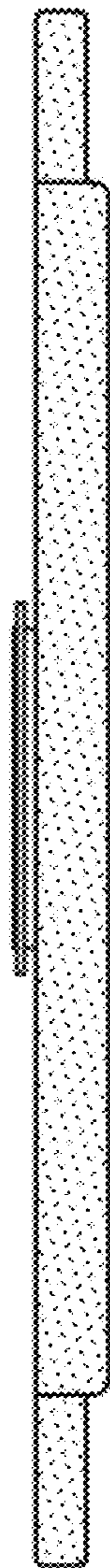


FIG. 5

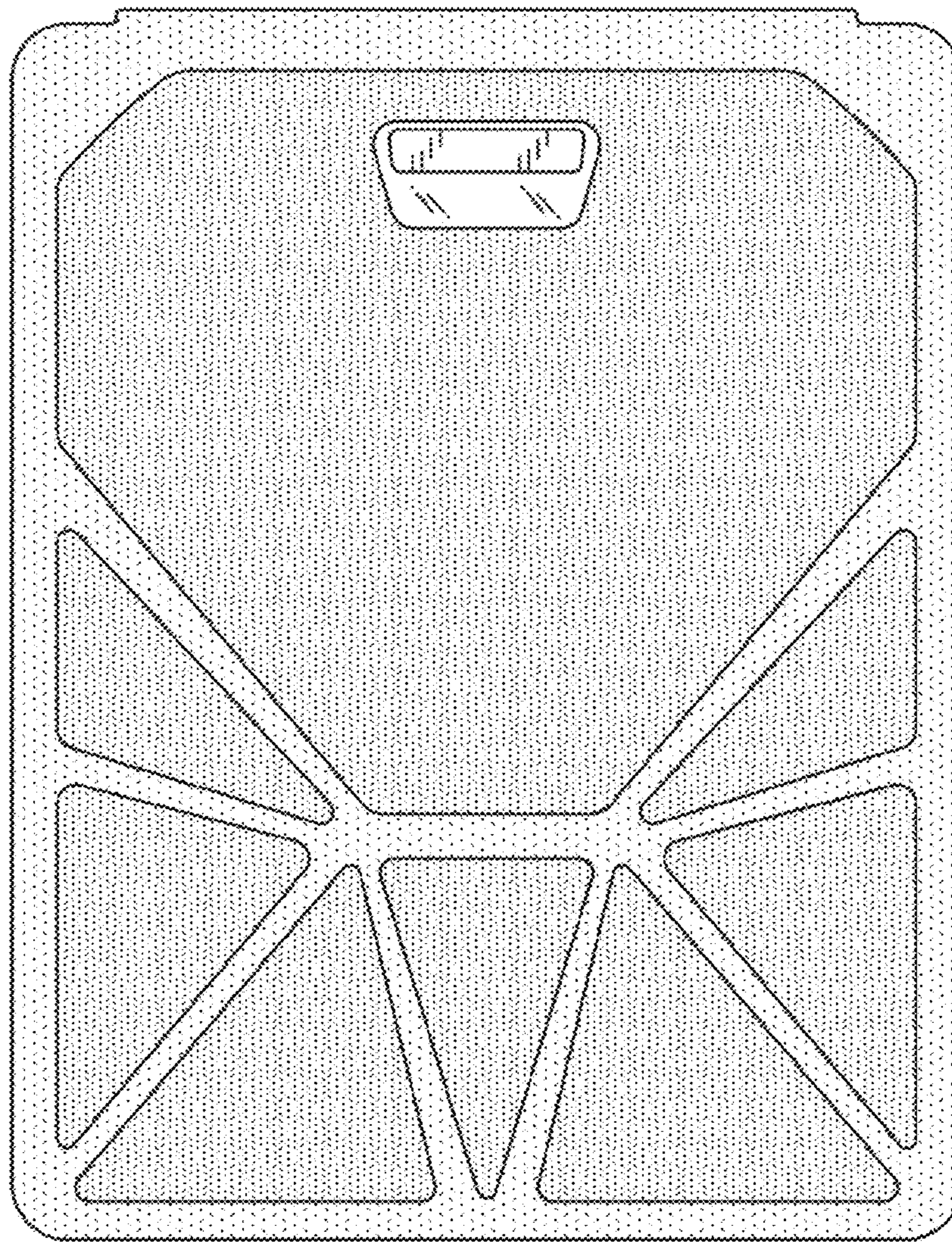


FIG. 6

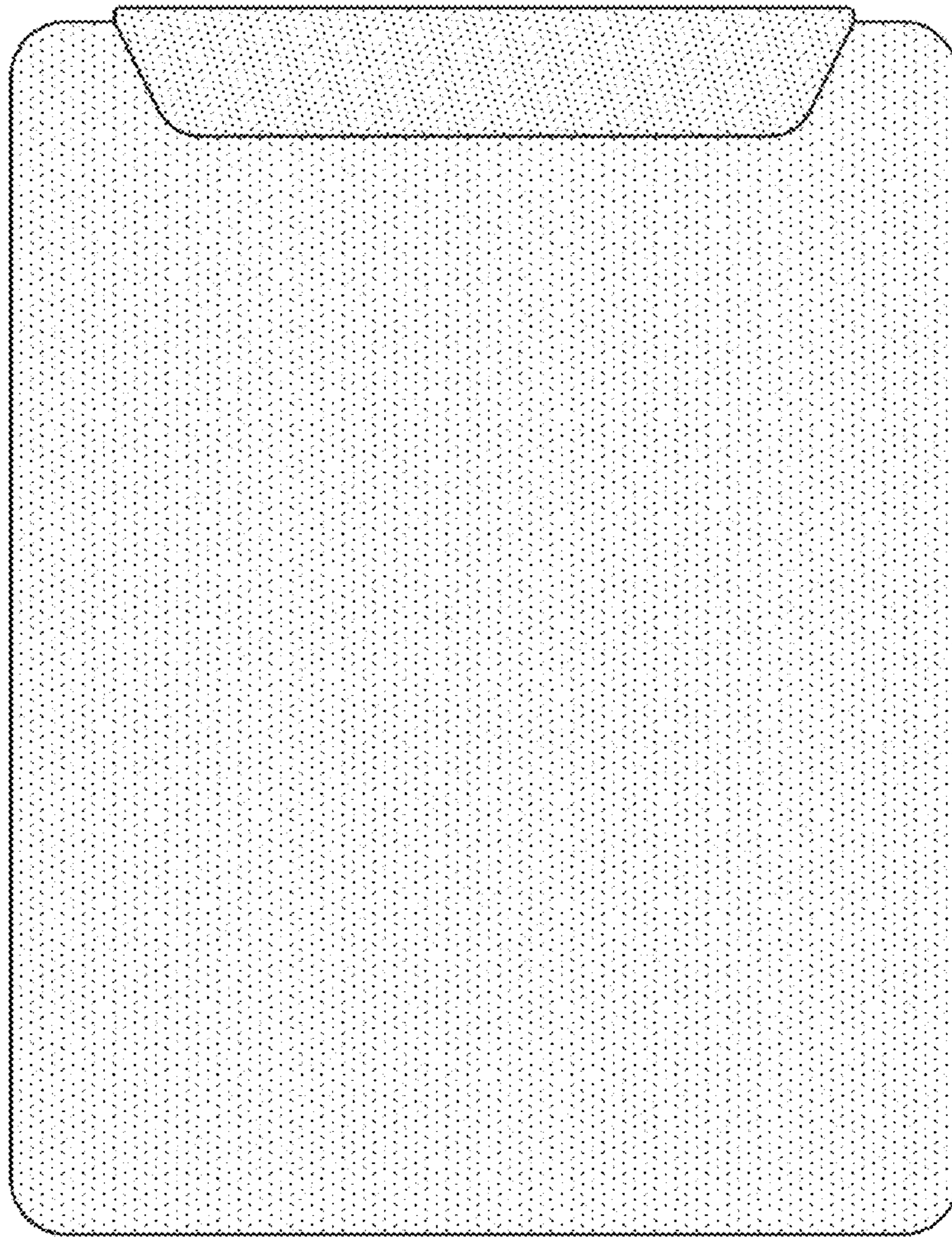


FIG. 7

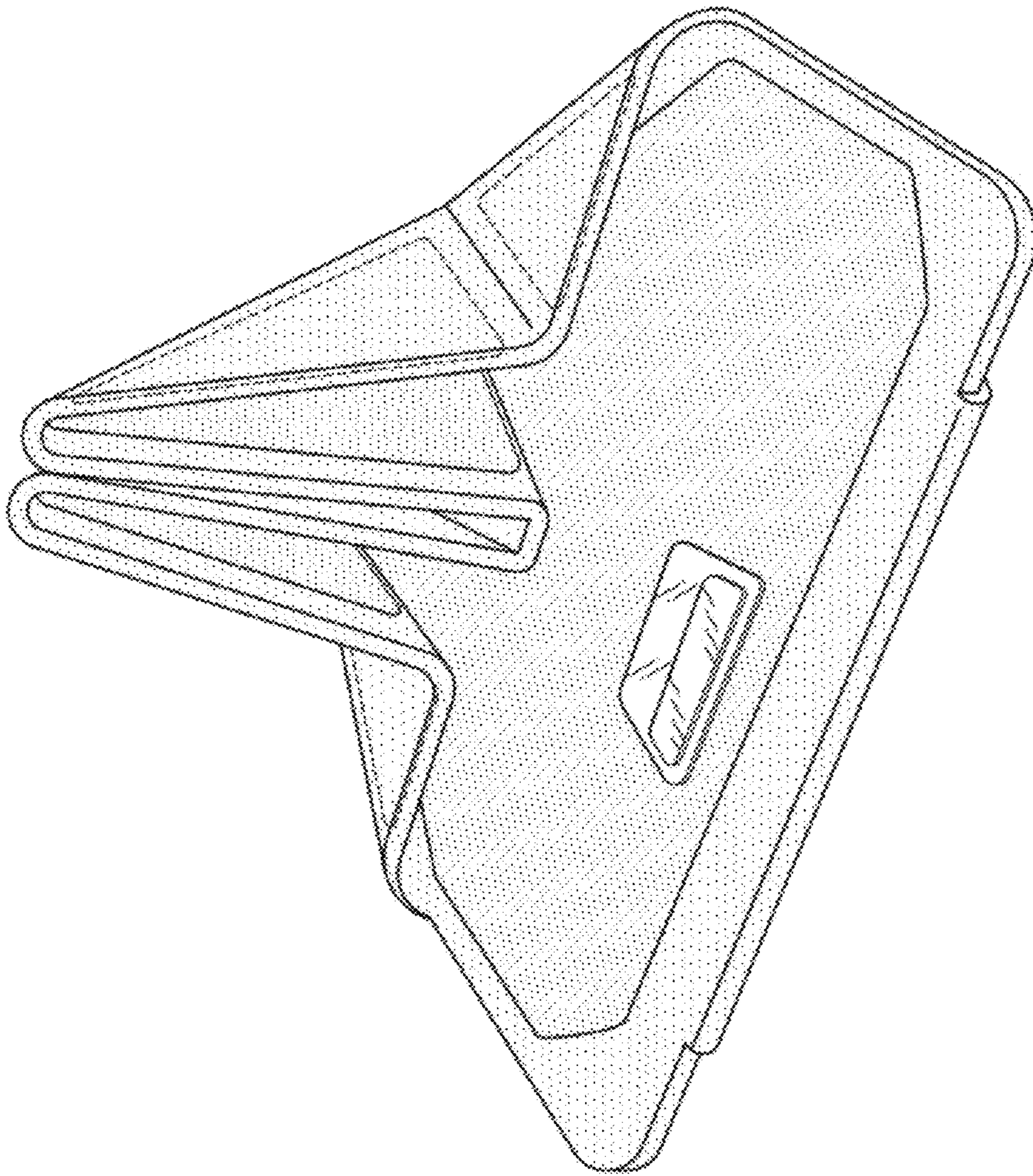


FIG. 8

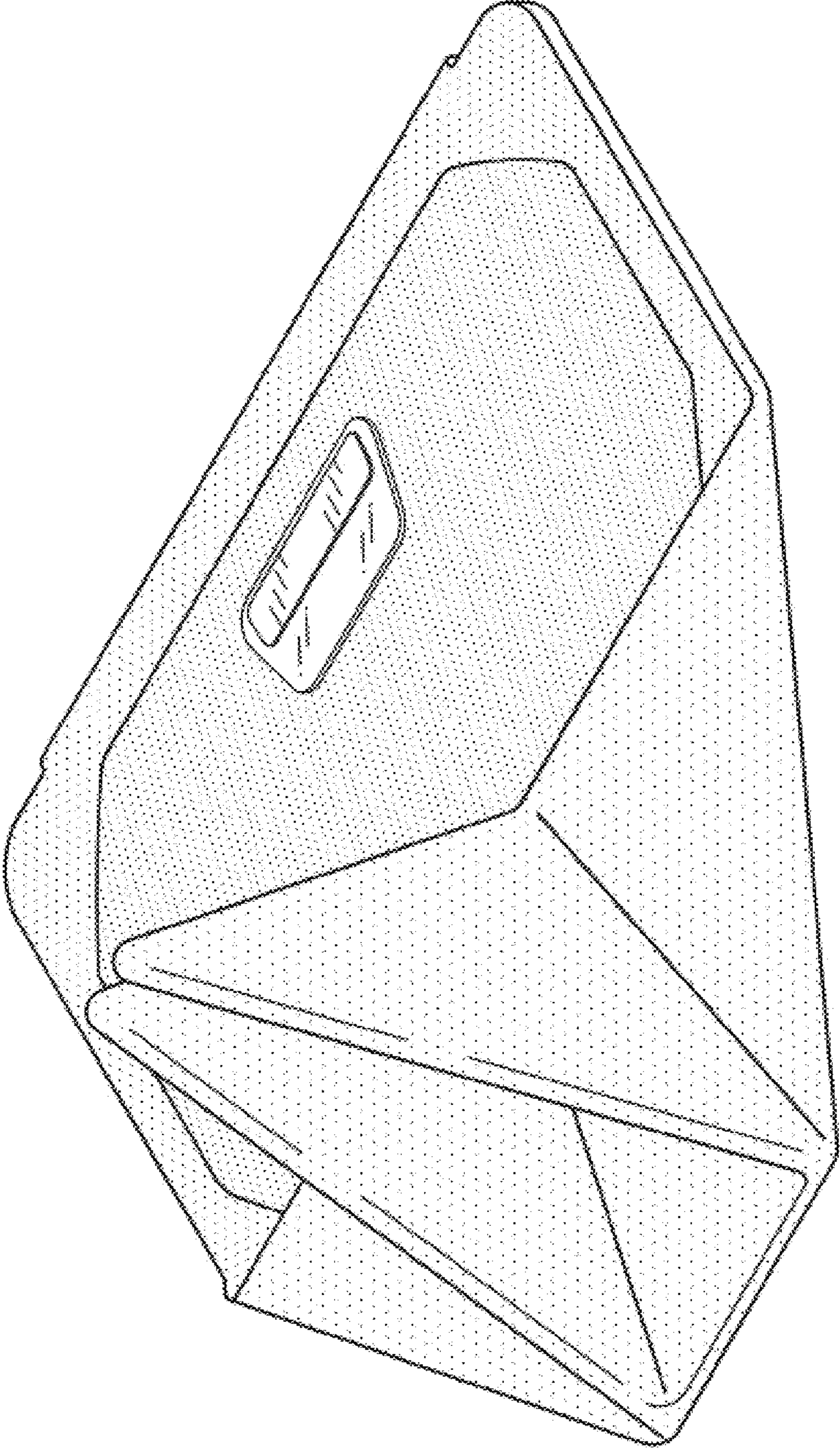


Fig. 9

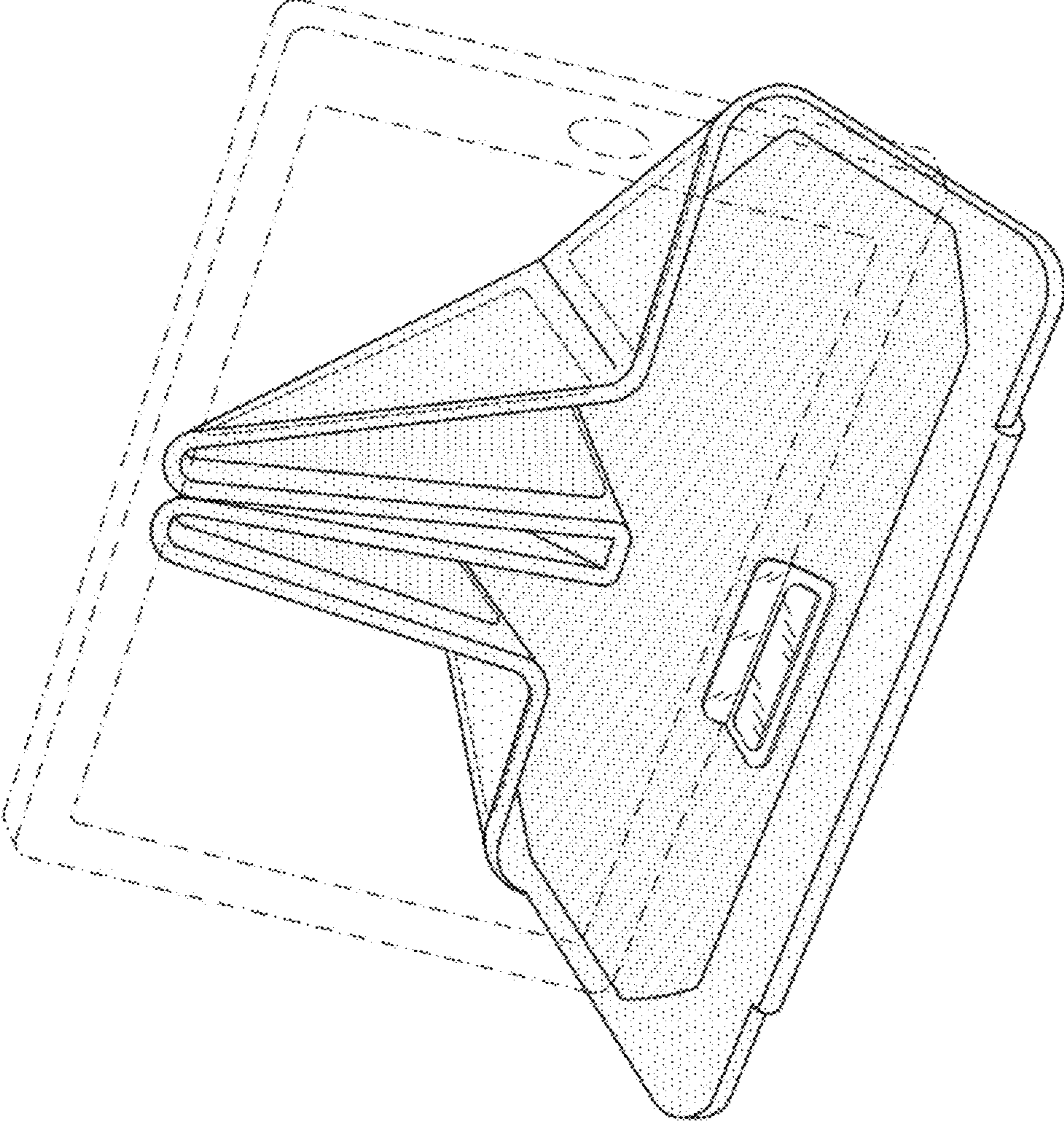


Fig. 10