

US00D713846S

(12) **United States Design Patent**
Chen et al.

(10) **Patent No.:** **US D713,846 S**
(45) **Date of Patent:** **** Sep. 23, 2014**

(54) **PROTECTION COVER FOR ELECTRONIC DEVICES**

(76) Inventors: **Ko-An Chen**, Taipei (TW); **Hyun Jong Kim**, Taipei (TW)

(**) Term: **14 Years**

(21) Appl. No.: **29/416,743**

(22) Filed: **Mar. 27, 2012**

(51) **LOC (10) Cl.** **14-02**

(52) **U.S. Cl.**
USPC **D14/440**

(58) **Field of Classification Search**
USPC D14/250, 251, 253, 240, 217, 496, 440,
D14/203.3, 203.4, 203.5, 203.8, 341, 318;
D3/218, 215, 201, 294, 289, 900;
220/4.02; 248/309.1; 361/679.56;
379/426, 433.11, 455; 455/575.1,
455/575.8; 190/100; 206/305, 320;
D21/469

See application file for complete search history.

(56) **References Cited**

U.S. PATENT DOCUMENTS

3,486,945 A * 12/1969 O'Donnell et al. 429/7
4,486,689 A * 12/1984 Davis et al. 315/92

4,576,430 A * 3/1986 Dufresne 439/429
4,634,216 A * 1/1987 Calevo et al. 385/65
4,758,195 A * 7/1988 Walsh 446/85
4,808,234 A * 2/1989 McKay et al. 134/21
D341,567 S * 11/1993 Acker et al. D13/110
5,475,376 A * 12/1995 Chikamitue et al. 340/5.73
5,768,710 A * 6/1998 Williams 2/161.1
5,990,584 A * 11/1999 Luo et al. 310/36
6,107,572 A * 8/2000 Miyazaki 174/75 C
D664,529 S * 7/2012 Chuang D14/253
D697,061 S * 1/2014 Specht et al. D14/251

* cited by examiner

Primary Examiner — Cynthia Underwood

(74) *Attorney, Agent, or Firm* — Leong C. Lei

(57) **CLAIM**

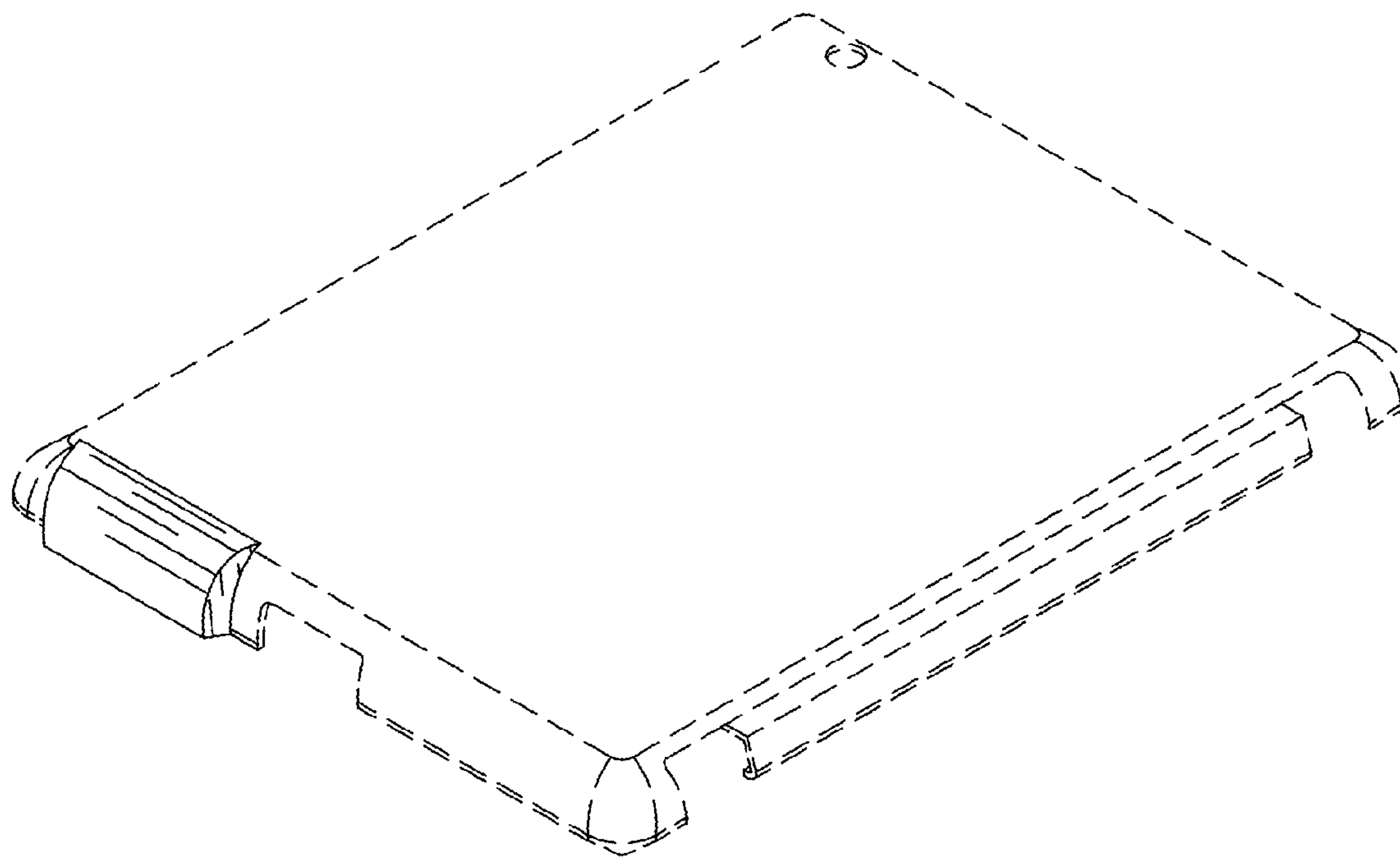
The ornamental design for a protection cover for electronic devices, as shown and described.

DESCRIPTION

FIG. 1 is a perspective view of a protection cover for electronic devices showing my new design;
FIG. 2 is a front elevational view thereof;
FIG. 3 is a rear elevational view thereof;
FIG. 4 is a right side elevational view thereof;
FIG. 5 is a left side elevational view thereof; and,
FIG. 6 is a top plan view thereof.

The dotted line showing the rest of the protection cover is for illustrative purposes only and forms no part of the claimed design.

1 Claim, 4 Drawing Sheets



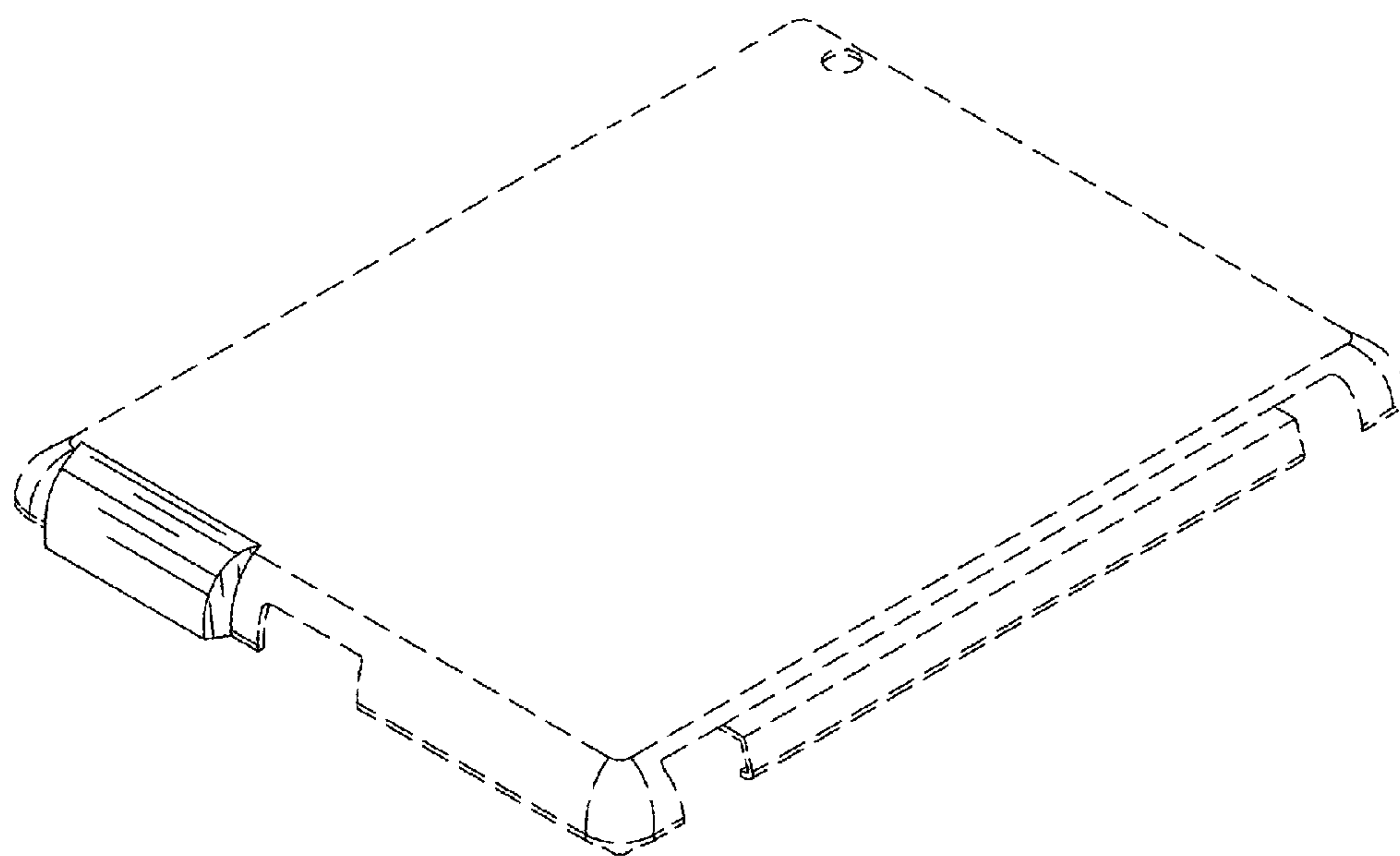


FIG. 1

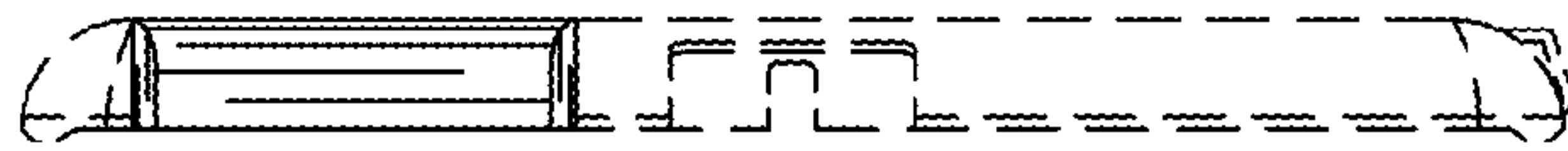


FIG. 2



FIG. 3

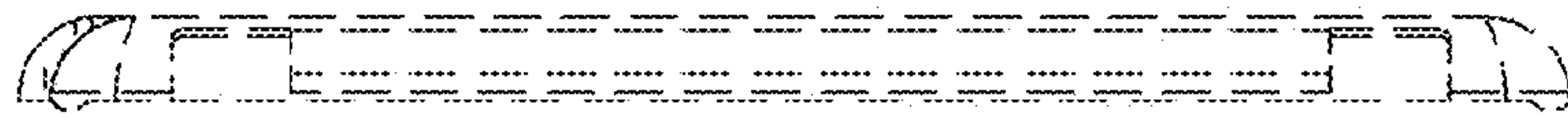


FIG. 4



FIG. 5

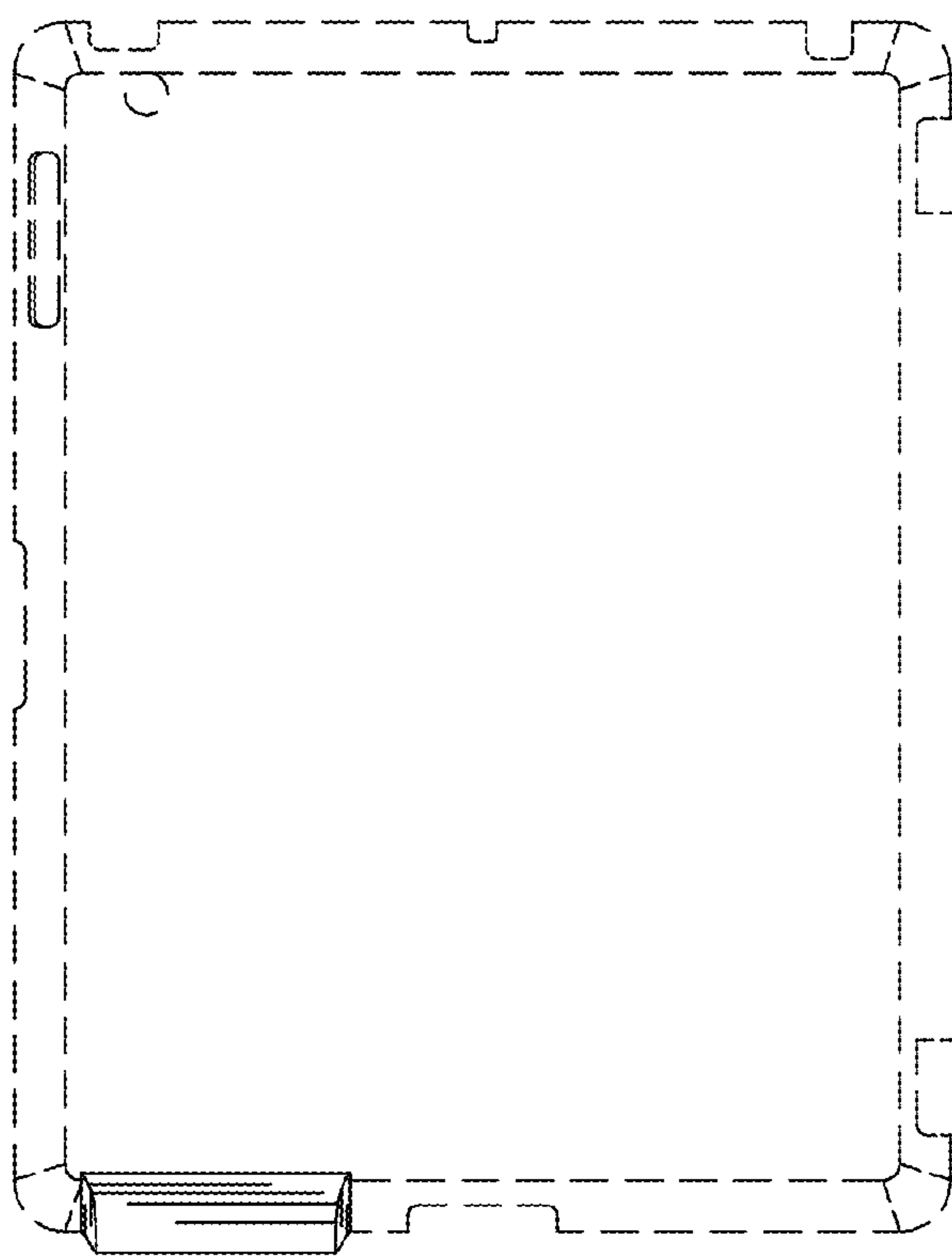


FIG. 6