



US00D713845S

(12) **United States Design Patent**
Taniho et al.

(10) **Patent No.:** **US D713,845 S**

(45) **Date of Patent:** **** Sep. 23, 2014**

(54) **SCANNER**

(56) **References Cited**

(71) Applicants: **Kiichi Taniho**, Kahoku (JP); **Yuusuke Kasashima**, Kahoku (JP); **Toshiki Satoji**, Milan (IT); **Alvise Gangarossa**, Milan (IT)

(72) Inventors: **Kiichi Taniho**, Kahoku (JP); **Yuusuke Kasashima**, Kahoku (JP); **Toshiki Satoji**, Milan (IT); **Alvise Gangarossa**, Milan (IT)

(73) Assignee: **PFU Limited**, Ishikawa (JP)

(**) Term: **14 Years**

(21) Appl. No.: **29/434,839**

(22) Filed: **Oct. 17, 2012**

(30) **Foreign Application Priority Data**

Sep. 27, 2012 (JP) 2012-023492

(51) **LOC (10) Cl.** **14-02**

(52) **U.S. Cl.**
USPC **D14/422**

(58) **Field of Classification Search**
USPC D14/420, 422, 425, 462-470, 424, 389, D14/125, 399; D18/54, 55, 50, 53, 36-39, D18/14, 18-21, 49, 46, 52, 56, 51, 54.4; D13/164, 168; 358/400, 401, 448, 474, 358/486-488, 496, 497, 494, 473, 302, 468, 358/498; 382/312, 317, 321, 315; 400/613, 400/613.1-613.4, 690.1-690.4, 691-694, 400/88, 175; 399/107, 379, 380, 211, 212; 235/462.11, 462.41, 472.01, 470, 235/462.43; 361/680, 681; 378/177, 187, 378/188; 101/93.4, 269; 355/78; D24/165, D24/169, 186; 600/502, 503, 499, 494, 490, 600/485, 500, 492, 480, 493, 495, 479; 128/900; 16/286; 347/104, 109, 5; 271/186, 225, 126, 121, 137, 138

See application file for complete search history.

U.S. PATENT DOCUMENTS

3,375,781 A *	4/1968	Grimm et al.	101/132
D240,080 S *	5/1976	Brown	D18/36
D258,959 S *	4/1981	Clayton et al.	D18/54
D263,397 S *	3/1982	Vierling et al.	D18/54
D263,831 S *	4/1982	Barbera et al.	D14/462
D264,846 S *	6/1982	Taguchi	D14/462
D266,151 S *	9/1982	Dawson	D10/81
D268,111 S *	3/1983	Clemens	D18/54
D277,133 S *	1/1985	Houlihan	D24/165
D279,783 S *	7/1985	Jordan et al.	D18/55
D285,965 S *	9/1986	Nishibori et al.	D24/165
D286,437 S *	10/1986	Nishibori	D24/165

(Continued)

OTHER PUBLICATIONS

Notice of Allowance and Fee(s) Due dated Oct. 21, 2013, for U.S. Appl. No. 29/434,835, including Notice of References Cited.

(Continued)

Primary Examiner — Susan Moon Lee

(74) *Attorney, Agent, or Firm* — RatnerPrestia

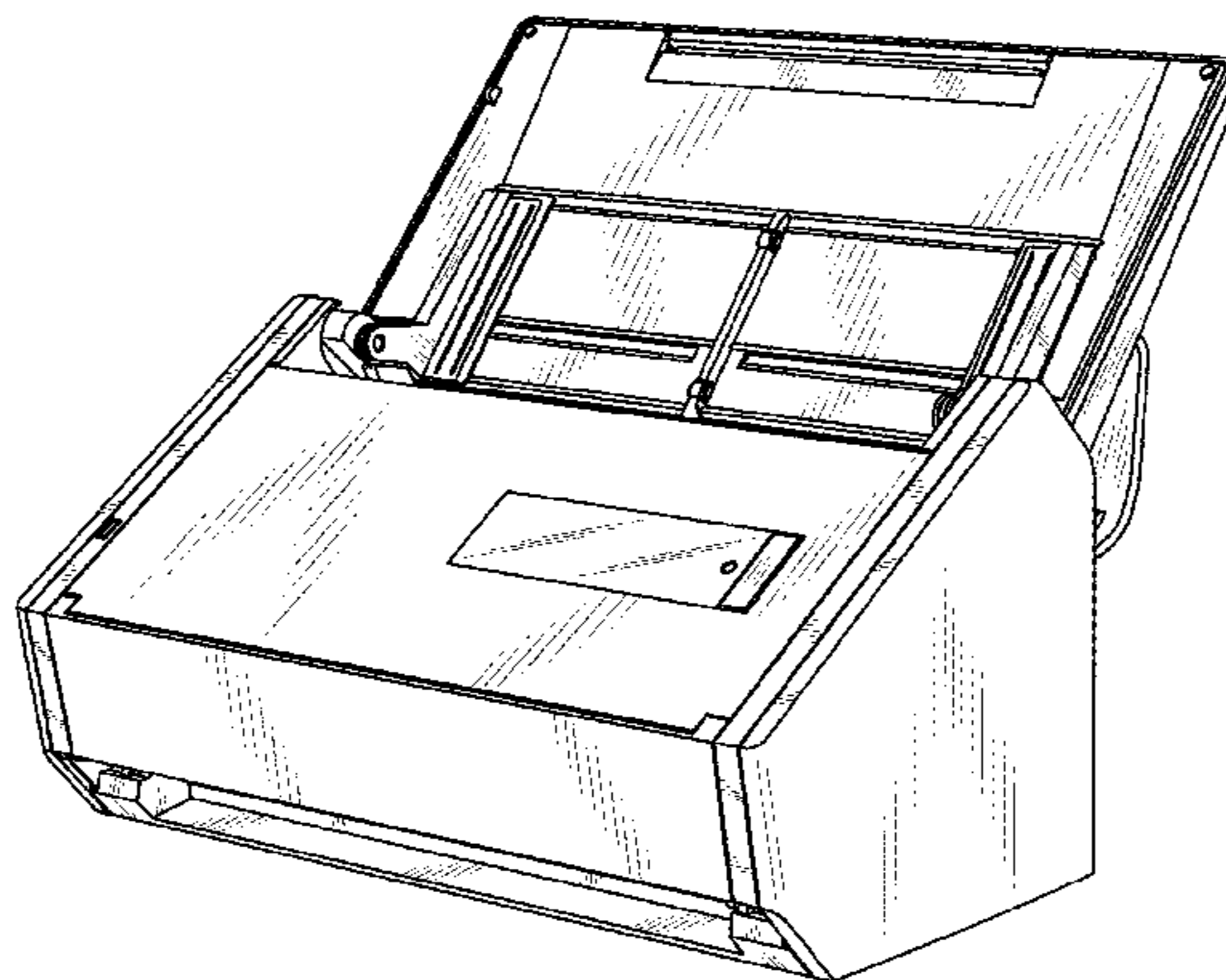
(57) **CLAIM**

The ornamental design for a scanner, as shown and described.

DESCRIPTION

FIG. 1 is a front perspective view of a scanner showing our new design;
FIG. 2 is a front view thereof;
FIG. 3 is a rear view thereof;
FIG. 4 is a right side view thereof;
FIG. 5 is a left side view thereof;
FIG. 6 is a top plan view thereof;
FIG. 7 is a bottom plan view thereof; and,
FIG. 8 is another perspective view of the scanner with both catch and paper feed trays shown in an open position. Broken lines and unshaded portions contained within broken lines are not claimed.

1 Claim, 5 Drawing Sheets



(56)

References Cited

U.S. PATENT DOCUMENTS

D292,976 S * 12/1987 Kando D14/466
 D295,186 S * 4/1988 Hadtke D18/54
 D297,051 S * 8/1988 Kawamura D24/165
 4,806,036 A * 2/1989 Ward et al. 400/691
 D301,485 S * 6/1989 Kato et al. D18/55
 D304,724 S * 11/1989 Hashimoto et al. D14/467
 D310,120 S * 8/1990 Wickham et al. D24/186
 D315,360 S * 3/1991 Tokuda et al. D18/54
 D315,361 S * 3/1991 Kojima et al. D18/55
 D316,869 S * 5/1991 Sugawara et al. D18/54
 D317,783 S * 6/1991 Matsumoto et al. D18/54
 D318,066 S * 7/1991 Moro D18/54
 D321,898 S * 11/1991 Kasee et al. D18/55
 D324,395 S * 3/1992 Dubson D18/54
 D326,678 S * 6/1992 Uchibori et al. D18/55
 D335,894 S * 5/1993 Nishikaze et al. D18/55
 D337,608 S * 7/1993 Miyamoto D18/55
 5,239,808 A * 8/1993 Wells et al. 53/512
 D340,740 S * 10/1993 Kawashima D18/50
 D343,636 S * 1/1994 Horie et al. D18/55
 D345,966 S * 4/1994 Perez D18/4.5
 D348,054 S * 6/1994 Minasian et al. D14/425
 D350,075 S * 8/1994 Reeder D10/94
 D350,364 S * 9/1994 Kawashima et al. D18/50
 D356,745 S * 3/1995 Ninomiya et al. D10/81
 D358,836 S * 5/1995 Yamaguchi et al. D18/55
 D367,821 S * 3/1996 Fischer D10/65
 D370,026 S * 5/1996 McGlashan D18/55
 D371,158 S * 6/1996 Yoshida D18/50
 D374,685 S * 10/1996 Tsuruoka D18/54
 D378,100 S * 2/1997 Sekine D18/54
 D378,927 S * 4/1997 Kasahara et al. D18/50
 D392,311 S * 3/1998 Takano D18/50
 D401,271 S * 11/1998 Nakajima D18/55
 D408,799 S * 4/1999 Daury D14/385
 5,917,995 A * 6/1999 Ota 358/1.12
 D422,570 S * 4/2000 Kobayashi D14/509
 D428,047 S * 7/2000 Kolls D18/4.6
 D441,358 S * 5/2001 Chu D14/337
 6,231,043 B1 * 5/2001 James et al. 271/209
 D443,878 S * 6/2001 Sakata et al. D14/422
 D444,813 S * 7/2001 Quijano D18/55
 D444,819 S * 7/2001 Kurz et al. D21/329
 D445,451 S * 7/2001 Clark et al. D18/55
 D446,306 S * 8/2001 Ochi et al. D24/186
 D451,540 S * 12/2001 Tokuda et al. D18/55
 D456,020 S * 4/2002 Obata et al. D14/336
 6,367,996 B1 * 4/2002 Edwards 400/582
 D463,485 S * 9/2002 Yoshida et al. D18/50
 D475,052 S * 5/2003 Chujou et al. D14/422
 D478,618 S * 8/2003 Obara D18/54
 D517,554 S * 3/2006 Yanagisawa et al. D14/421
 D518,826 S * 4/2006 Chujou et al. D14/422

D530,739 S * 10/2006 Tsai D18/55
 7,134,259 B2 * 11/2006 Huang 53/512
 D533,897 S * 12/2006 Workman et al. D18/34.3
 D549,705 S * 8/2007 Sugitani et al. D14/422
 7,290,952 B2 * 11/2007 Kagami 400/693
 D571,370 S * 6/2008 Sugitani et al. D14/422
 D571,371 S * 6/2008 Kuroda et al. D14/422
 D573,596 S * 7/2008 Laidlaw et al. D14/422
 D574,829 S * 8/2008 Shirai et al. D14/422
 D579,016 S * 10/2008 Romanoff et al. D14/422
 D583,060 S * 12/2008 Kitamura et al. D24/165
 D586,383 S * 2/2009 Takatani D18/50
 D601,259 S * 9/2009 Guthrie et al. D24/169
 D607,506 S * 1/2010 Kim et al. D18/55
 D609,711 S * 2/2010 Kuroda et al. D14/453
 D610,146 S * 2/2010 Kuroda et al. D14/422
 D610,147 S * 2/2010 Kuroda et al. D14/422
 D610,148 S * 2/2010 Kuroda et al. D14/422
 D610,149 S * 2/2010 Kuroda et al. D14/422
 D610,150 S 2/2010 Kuroda et al.
 D610,151 S 2/2010 Kuroda et al.
 D610,154 S * 2/2010 Kuroda et al. D14/453
 D610,155 S * 2/2010 Kuroda et al. D14/453
 D612,276 S * 3/2010 Duffy et al. D10/81
 D615,515 S * 5/2010 Hwang D14/130
 D616,889 S * 6/2010 Kuroda et al. D14/422
 D619,588 S 7/2010 Kuroda et al.
 D619,589 S 7/2010 Kuroda et al.
 D624,574 S * 9/2010 Hall et al. D15/146
 D625,304 S * 10/2010 Armstrong D14/307
 D631,050 S * 1/2011 Iliffe-Moon et al. D14/422
 D632,295 S * 2/2011 Kuroda D14/422
 D642,179 S * 7/2011 Kuroda et al. D14/422
 8,169,669 B2 * 5/2012 Yoshida et al. 358/471
 D669,080 S * 10/2012 Iwai et al. D14/422
 D669,081 S * 10/2012 Iwai et al. D14/422
 D671,542 S * 11/2012 Siekmann et al. D14/422
 D680,157 S * 4/2013 Umezawa et al. D18/34.3
 D687,436 S * 8/2013 Penke et al. D14/422
 D689,865 S * 9/2013 Kitamura et al. D14/422
 D689,866 S * 9/2013 Anzai et al. D14/422
 D692,891 S * 11/2013 Kuroda et al. D14/422
 D696,339 S * 12/2013 Hasui et al. D18/34.3
 D700,908 S * 3/2014 Taniho et al. D14/422
 8,699,101 B2 * 4/2014 Mukai 358/498
 2003/0063337 A1 * 4/2003 Shirai et al. 358/498
 2007/0188818 A1 * 8/2007 Westcott et al. 358/296
 2010/0060948 A1 * 3/2010 Yoshida et al. 358/474
 2010/0118327 A1 * 5/2010 Caspar et al. 358/1.13

OTHER PUBLICATIONS

Non-Final Office Action dated Jul. 7, 2014, corresponding to U.S. Appl. No. 29/434,845, filed Oct. 17, 2012.

* cited by examiner

Fig. 1

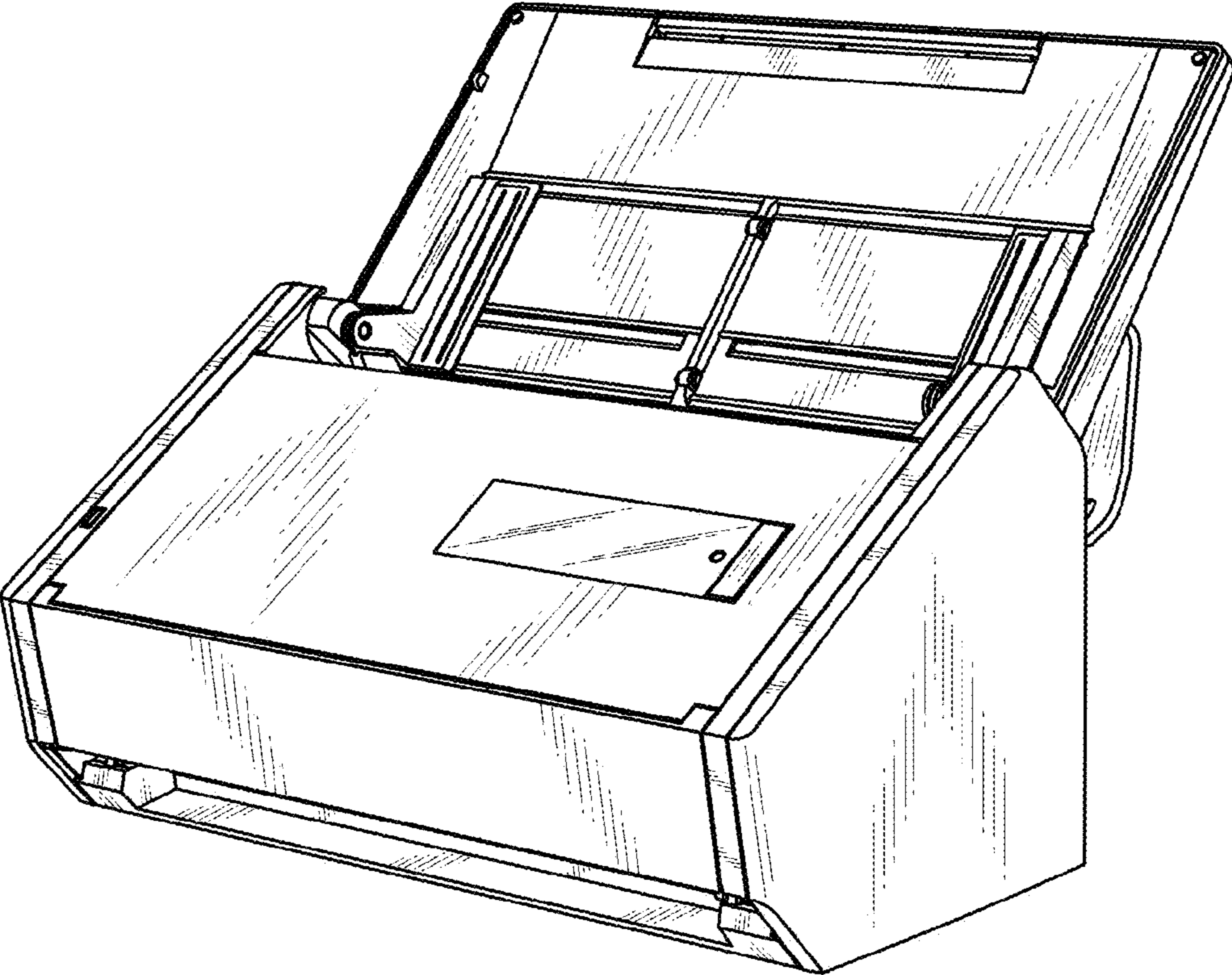


Fig.2

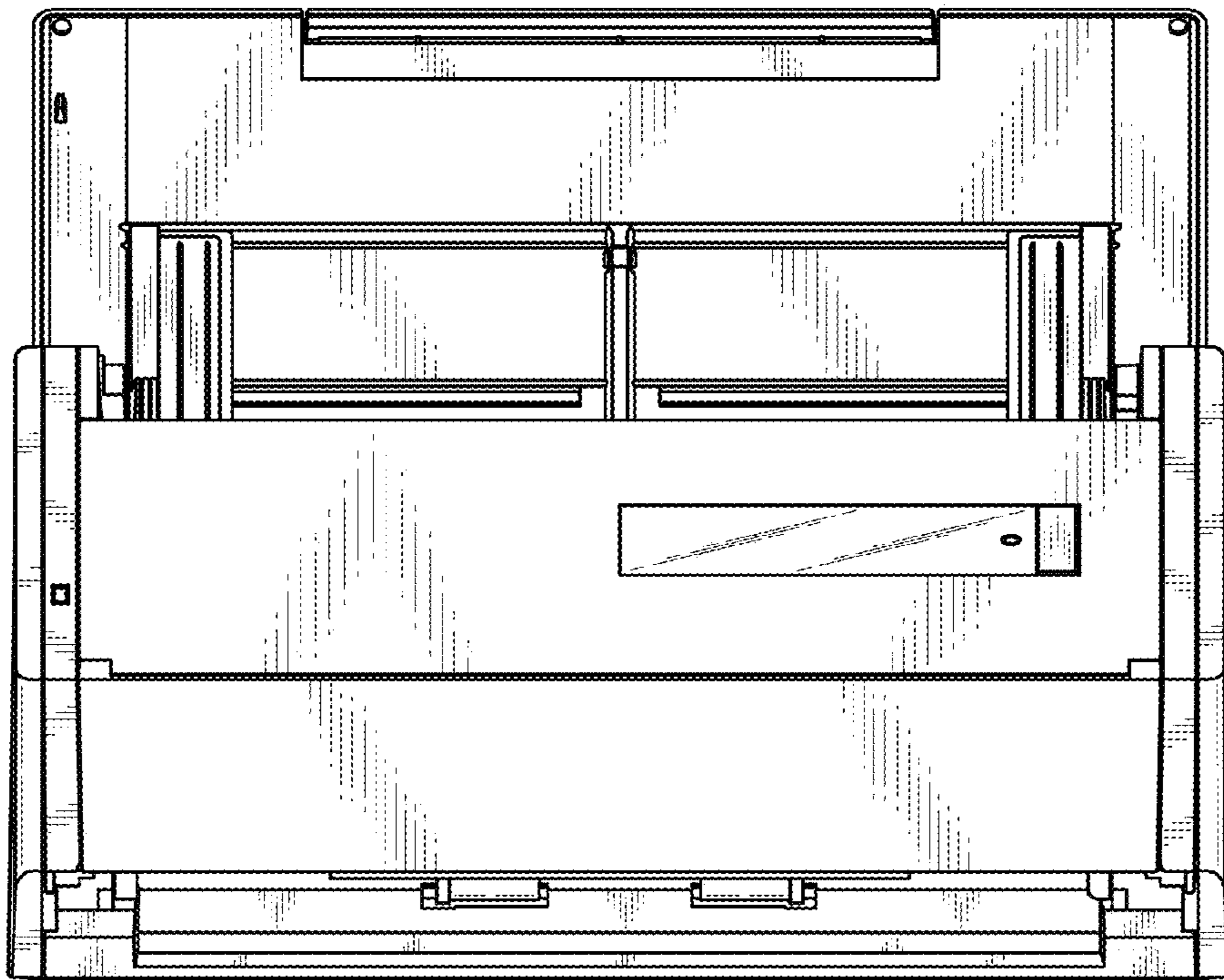


Fig.3

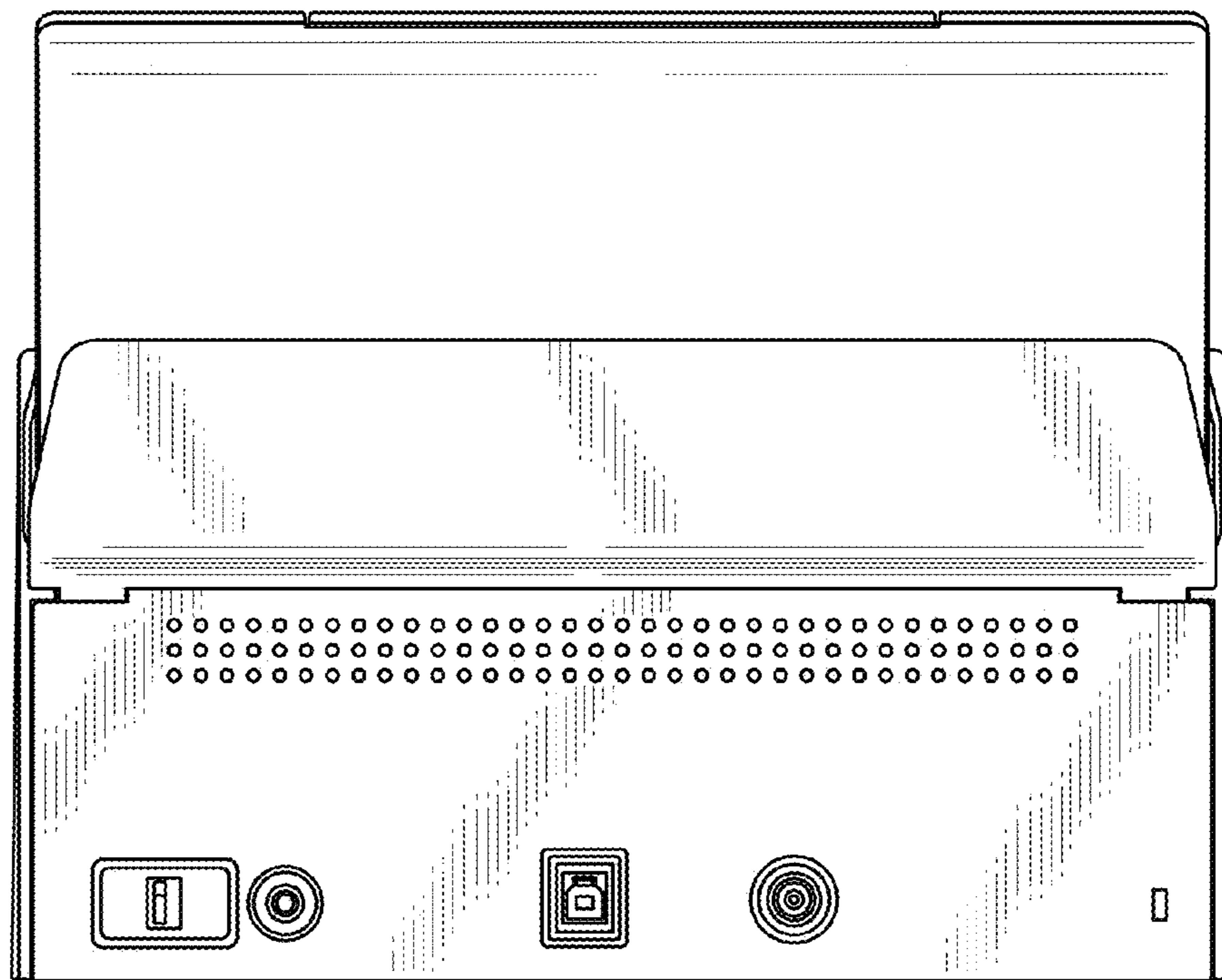


Fig.4

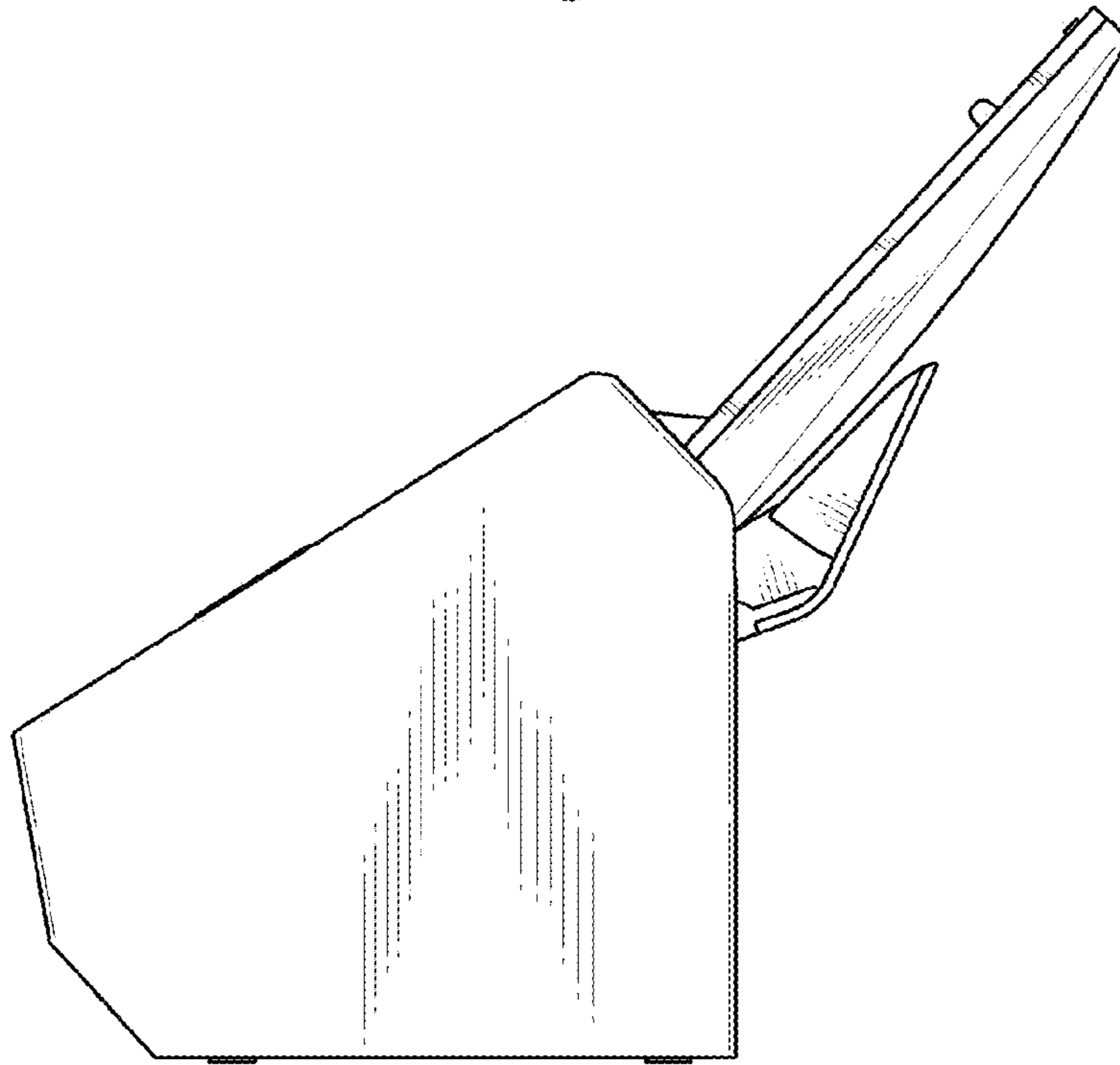


Fig.5

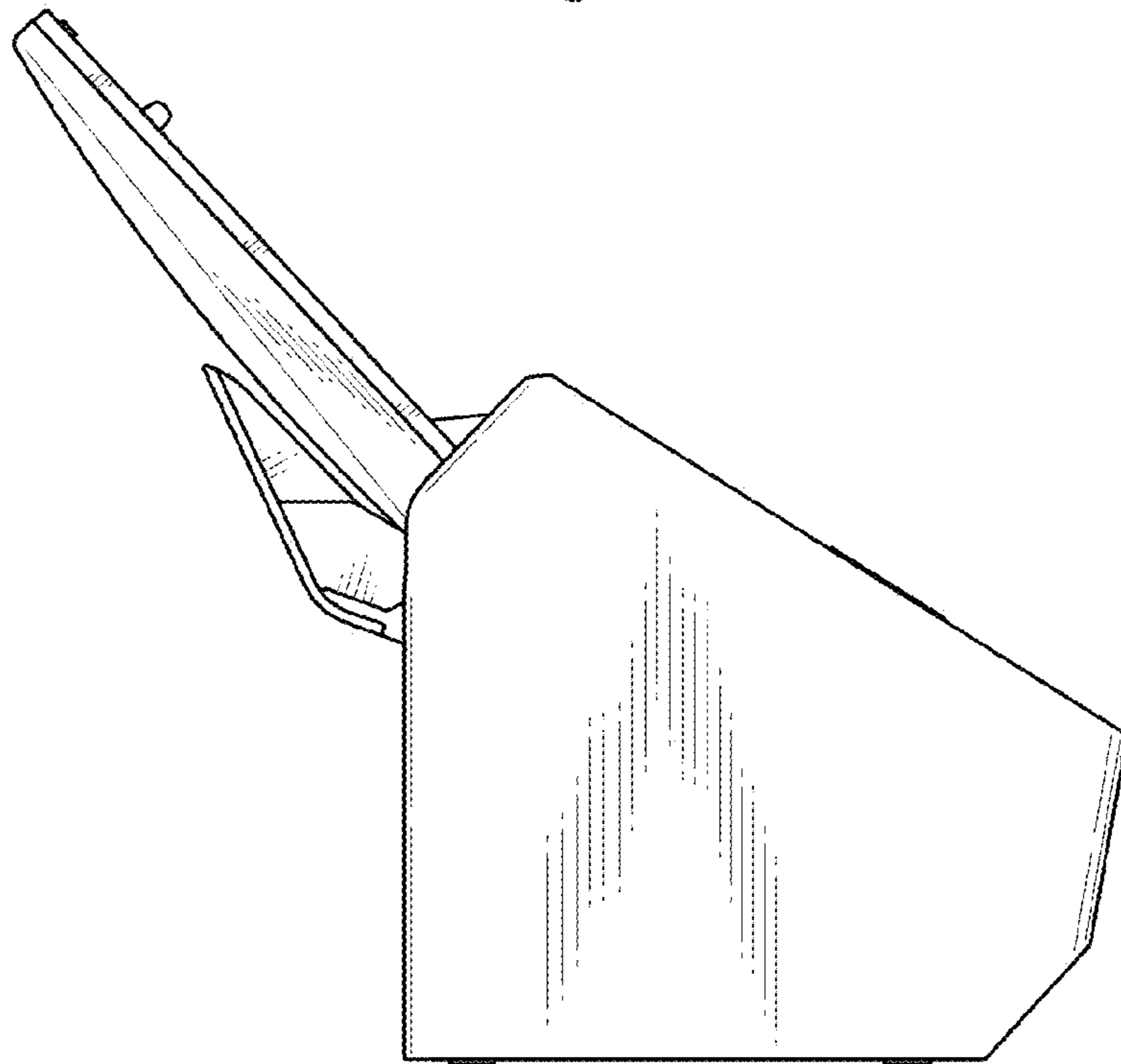


Fig.6

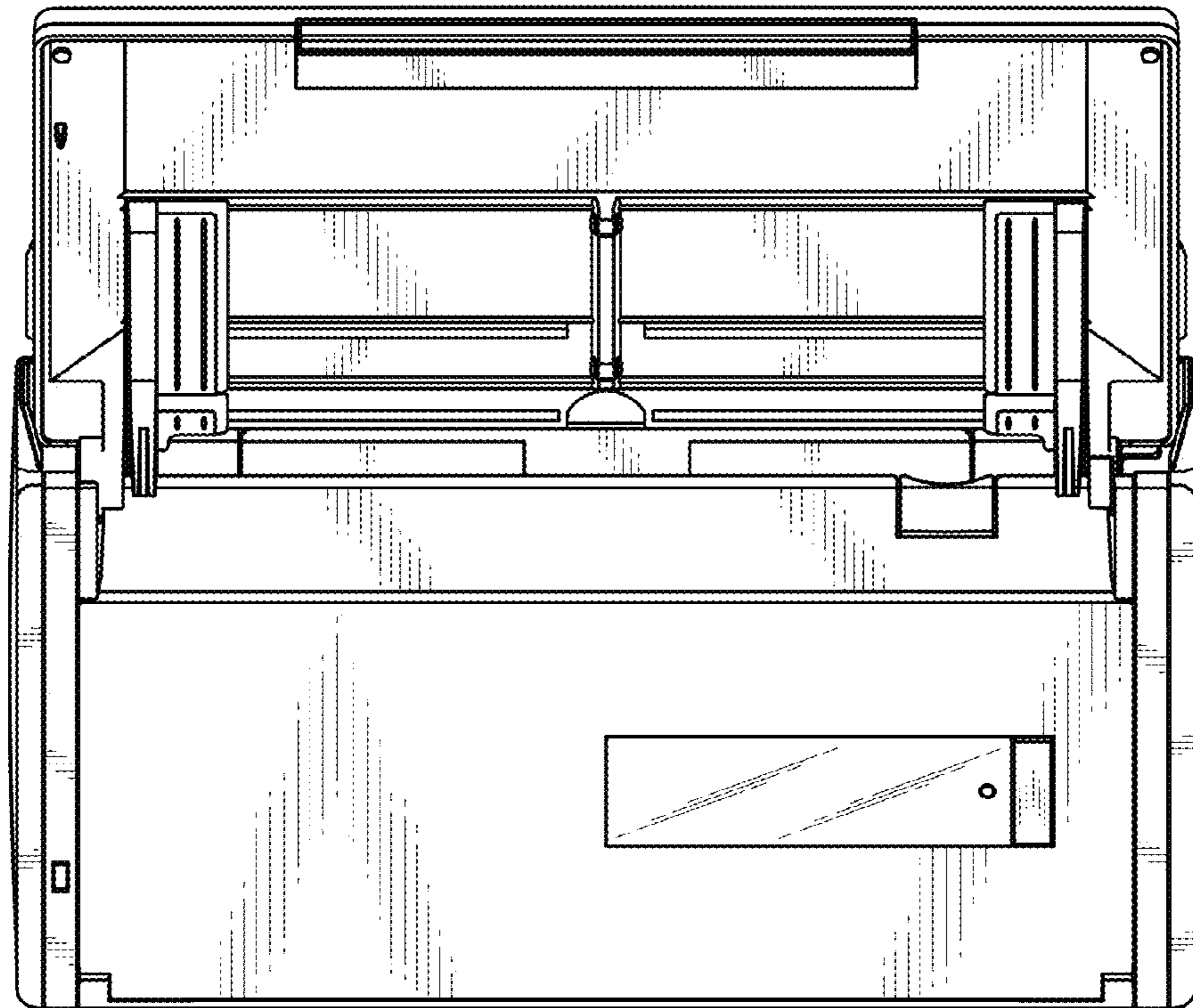


Fig.7

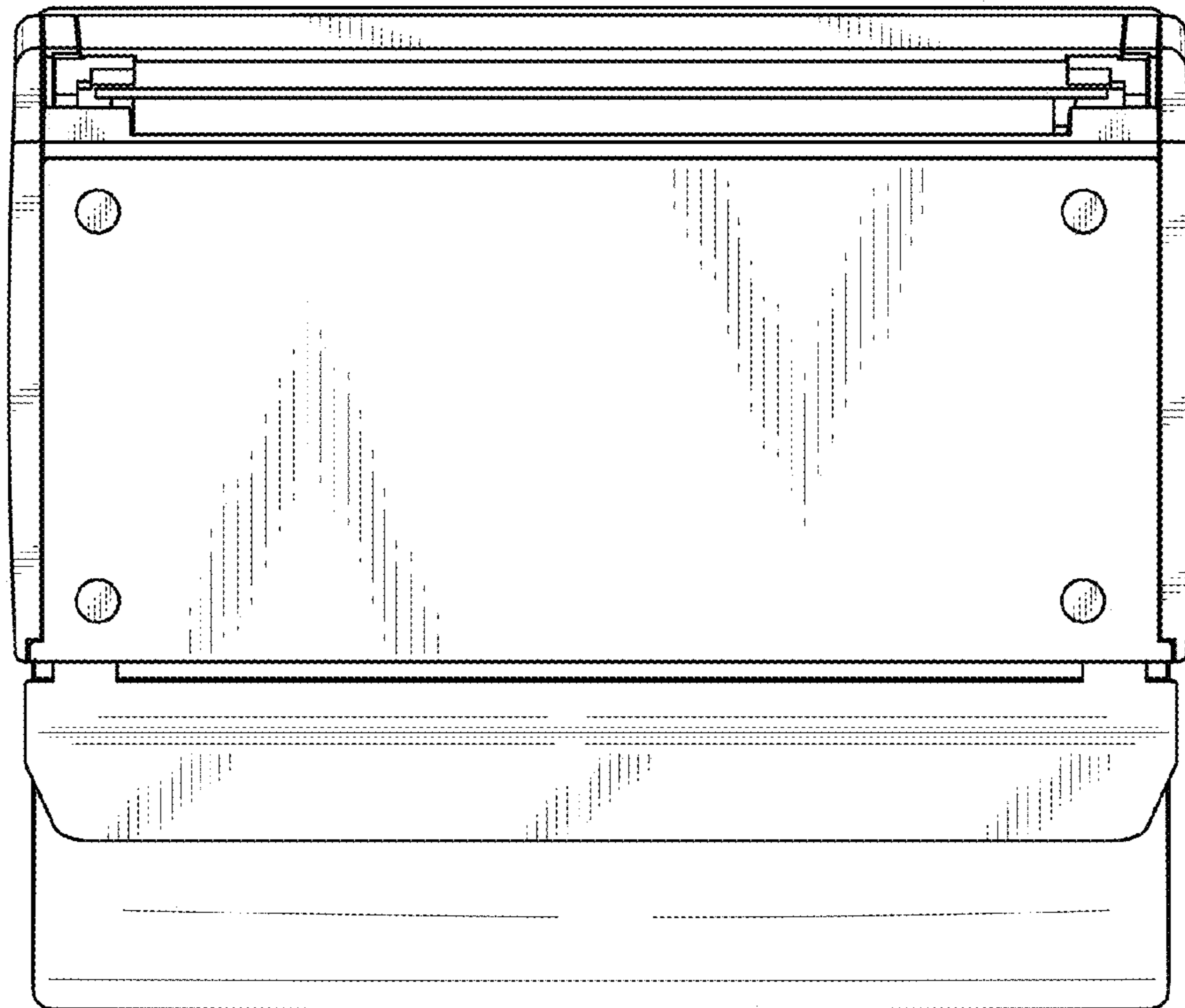


Fig.8

