



US00D713844S

(12) **United States Design Patent**
Zerayohannes et al.

(10) **Patent No.:** **US D713,844 S**

(45) **Date of Patent:** **** Sep. 23, 2014**

(54) **STYLUS WITH CHISEL-SHAPED TIP**

(71) Applicant: **Nvidia Corporation**, Santa Clara, CA (US)

(72) Inventors: **Berhanu Zerayohannes**, Santa Clara, CA (US); **Siarhei Murauyou**, Sunnyvale, CA (US); **Tommy Lee**, Danville, CA (US); **Glenn Wernig**, San Jose, CA (US); **Nelson Au**, Foster City, CA (US); **Arman Toorians**, San Jose, CA (US)

(73) Assignee: **Nvidia Corporation**, Santa Clara, CA (US)

(**) Term: **14 Years**

(21) Appl. No.: **29/477,413**

(22) Filed: **Dec. 20, 2013**

(51) **LOC (10) Cl.** **14-02**

(52) **U.S. Cl.**
USPC **D14/411**

(58) **Field of Classification Search**
USPC D8/61; D14/411; D19/35, 36, 41-51, D19/54-58; 401/55, 99, 100, 104-107, 196, 401/197, 202, 208, 209, 213, 192, 195, 401/243; 708/107; 345/179, 173; 178/19.01; 700/94

See application file for complete search history.

(56) **References Cited**

U.S. PATENT DOCUMENTS

D395,875 S 7/1998 Aiken et al.
D461,499 S * 8/2002 Boyle et al. D19/36
D588,638 S * 3/2009 Busri D19/36

D596,668 S * 7/2009 Ehara et al. D19/55
D611,476 S * 3/2010 Busri D14/411
D623,650 S * 9/2010 Ishibashi et al. D14/411
D630,220 S * 1/2011 Zenri et al. D14/411
D633,500 S 3/2011 Bouniol
D660,296 S * 5/2012 Iwamura D14/411
D663,301 S 7/2012 Lien
D669,897 S 10/2012 Nakata
D670,289 S 11/2012 Bae et al.
D670,700 S 11/2012 Halsinger et al.
D686,620 S * 7/2013 Chung D14/411
D694,236 S * 11/2013 Chung D14/411
D694,238 S * 11/2013 Du D14/411
D697,915 S * 1/2014 Lien D14/411

* cited by examiner

Primary Examiner — Austin Murphy

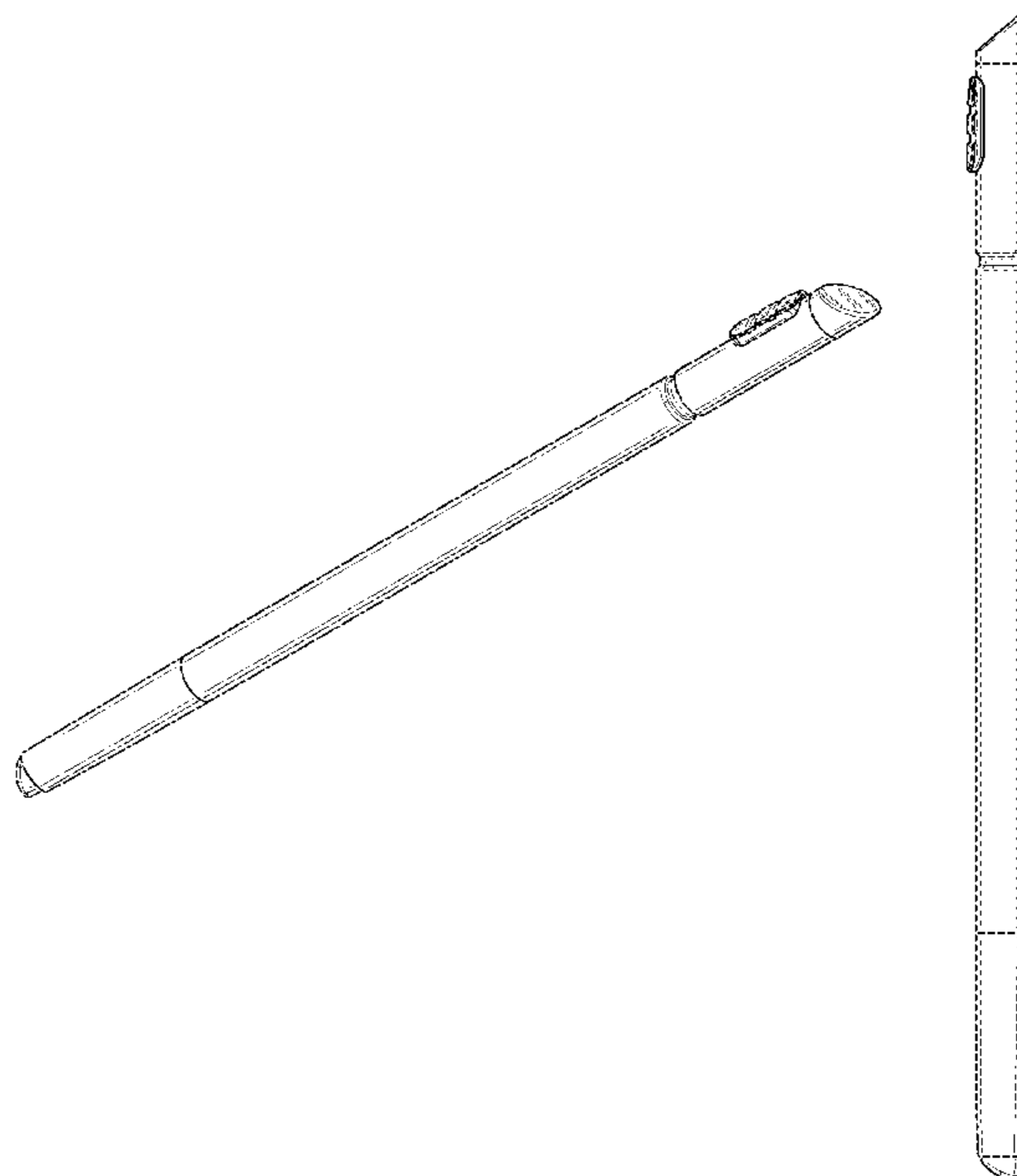
(57) **CLAIM**

We claim the ornamental design for a stylus with chisel-shaped tip, as shown and described.

DESCRIPTION

FIG. 1 is an upper right front perspective view of a stylus with chisel-shaped tip;
FIG. 2 is an upper left front perspective view of a stylus with chisel-shaped tip;
FIG. 3 is a front elevational view of a stylus with chisel-shaped tip;
FIG. 4 is a right side elevational view of a stylus with chisel-shaped tip;
FIG. 5 is a rear elevational view of a stylus with chisel-shaped tip;
FIG. 6 is a left side elevational view of a stylus with chisel-shaped tip;
FIG. 7 is a top plan view of a stylus with chisel-shaped tip; and,
FIG. 8 is a bottom plan view of a stylus with chisel-shaped tip.

1 Claim, 2 Drawing Sheets



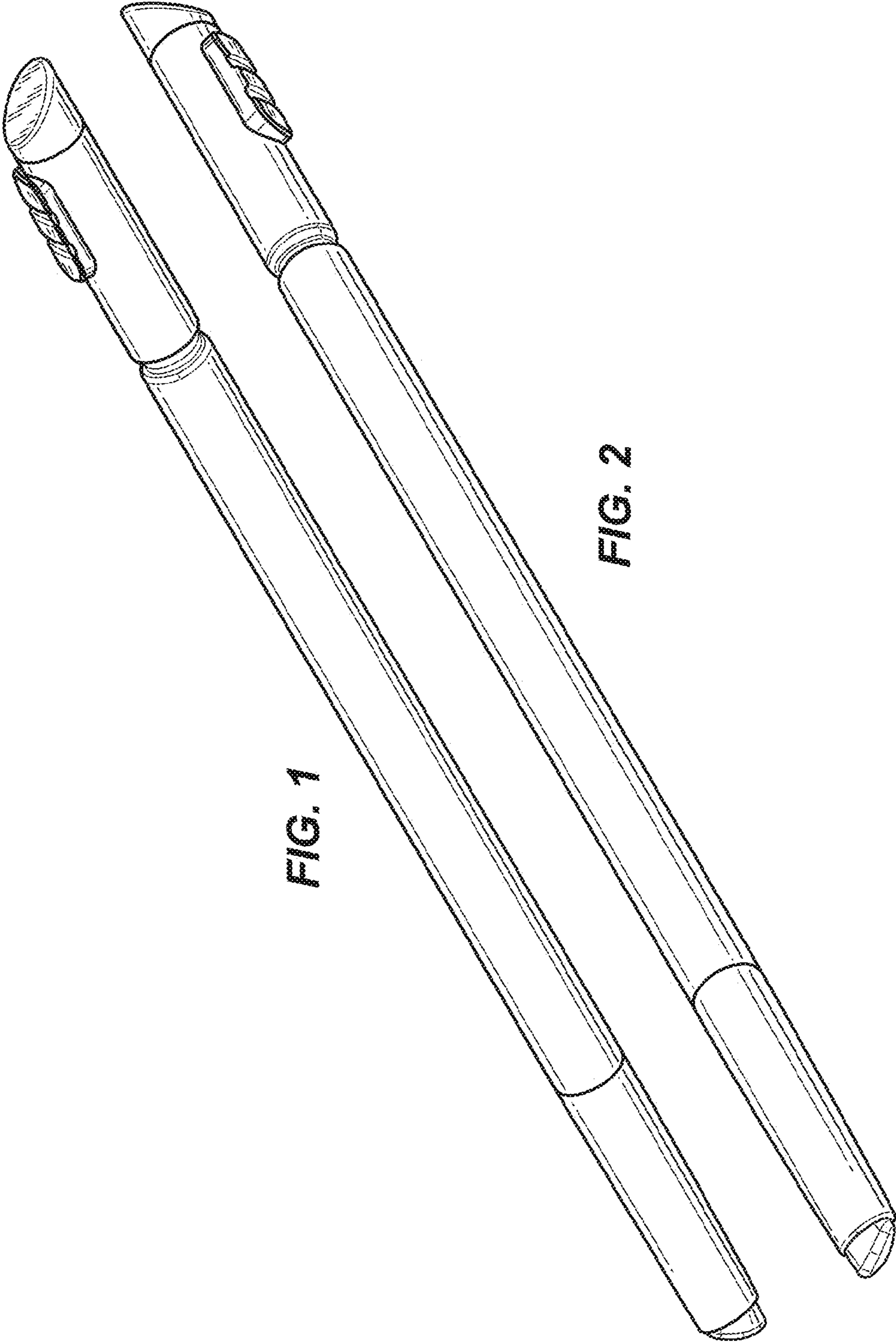


FIG. 1

FIG. 2

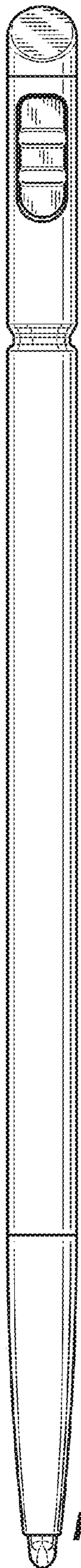


FIG. 3

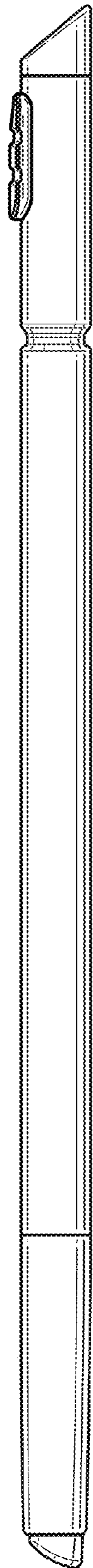


FIG. 4



FIG. 5

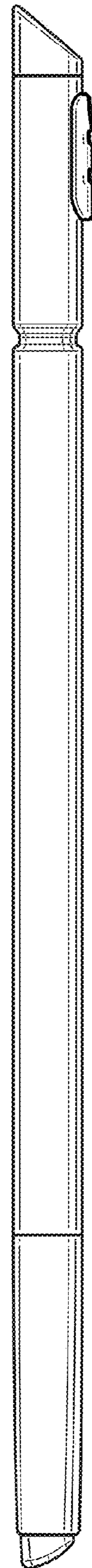


FIG. 6



FIG. 7



FIG. 8