



US00D713841S

(12) **United States Design Patent**
Lim et al.

(10) **Patent No.:** **US D713,841 S**
(45) **Date of Patent:** **** Sep. 23, 2014**

(54) **TABLET COMPUTER**

(71) Applicant: **Samsung Display Co., Ltd.**, Yongin-si (KR)

(72) Inventors: **Ji-Soo Lim**, Yongin-si (KP); **Yong-Joon Lee**, Yongin-si (KR); **Hae-Kang Lee**, Yongin-si (KR)

(73) Assignee: **Samsung Display Co., Ltd.**, Yongin-si (KR)

(**) Term: **14 Years**

(21) Appl. No.: **29/434,208**

(22) Filed: **Oct. 10, 2012**

(51) **LOC (10) Cl.** **14-02**

(52) **U.S. Cl.**
USPC **D14/341**

(58) **Field of Classification Search**
USPC D14/341-347, 137, 138 AA, 138 R, D14/138 C, 138 G, 496, 203.1, 203.3, 203.7, D14/426, 129, 130, 420, 147, 218, 247-248, D14/389, 388, 315-318; D10/65, 104.1; D18/6-7; D21/324, 329, 330; 455/556.1, 556.2, 566, 575.1, 90.3; 379/433.04, 433.01, 433.06, 916; 345/173, 901, 905; 361/679.26, 361/679.27, 679.3, 679.55, 679.56, 361/680-686; 248/917-924; 348/373, 376; D19/60

See application file for complete search history.

(56) **References Cited**

U.S. PATENT DOCUMENTS

D553,750 S * 10/2007 Yamaoka D24/172
D584,304 S * 1/2009 Lin D14/346
D628,575 S * 12/2010 Ko et al. D14/374
D631,043 S * 1/2011 Kell
D640,691 S * 6/2011 Nieves D14/346
D655,307 S * 3/2012 Maier et al. D14/496

D659,692 S * 5/2012 Jung et al. D14/341
D669,467 S * 10/2012 Ballout D14/336
D680,110 S * 4/2013 Rossiter et al. D14/341

(Continued)

FOREIGN PATENT DOCUMENTS

KR 10-2010-0082451 7/2010
KR 30-0605973 7/2011

OTHER PUBLICATIONS

Internet Material, Article About Proposed Design, Sep. 14, 2011; Address: <http://www.inewidea.com/?s=no+keyboard>, 1 page.

(Continued)

Primary Examiner — Barbara Fox

(74) *Attorney, Agent, or Firm* — Christie, Parker & Hale, LLP

(57) **CLAIM**

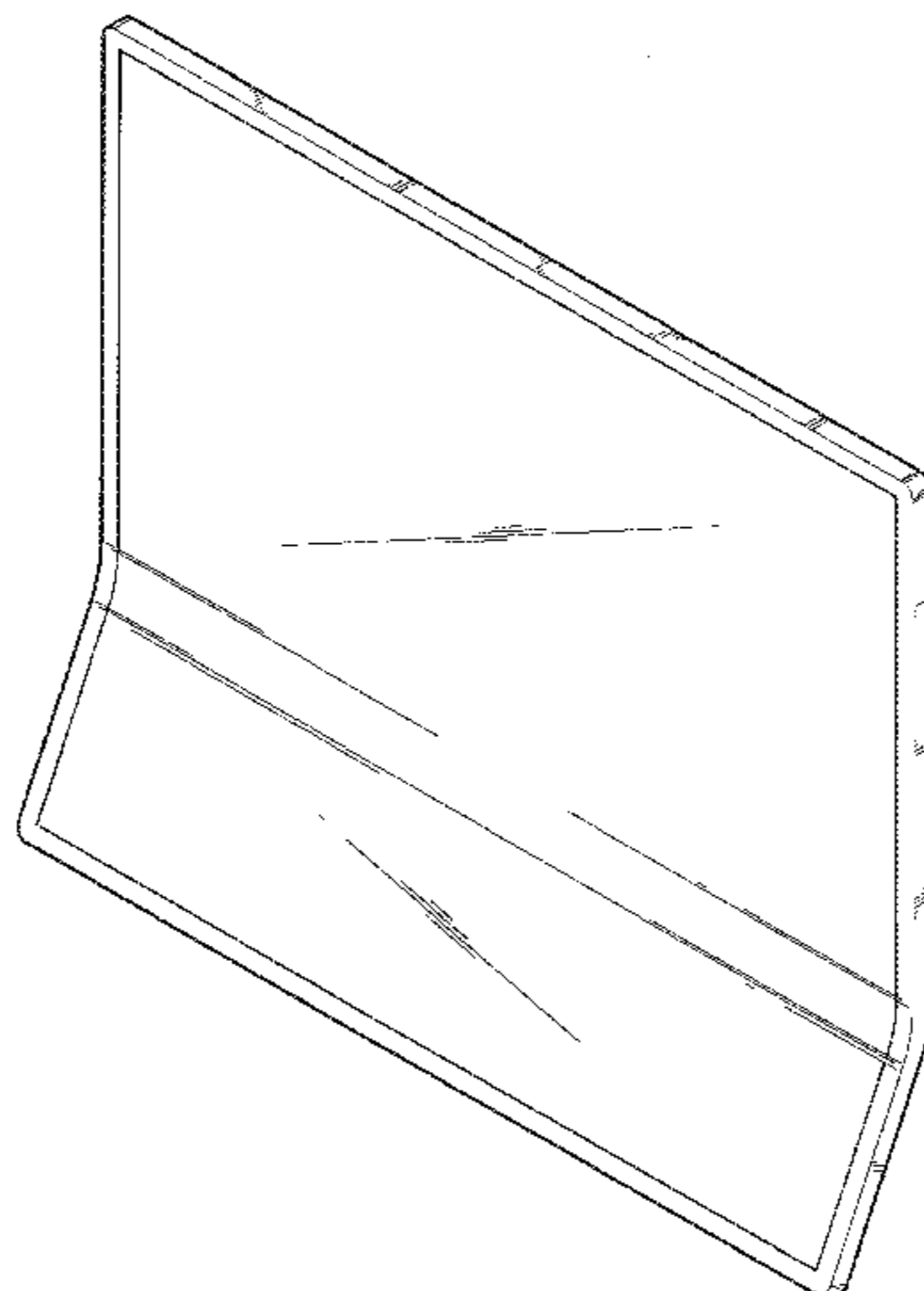
The ornamental design for a tablet computer, as shown and described.

DESCRIPTION

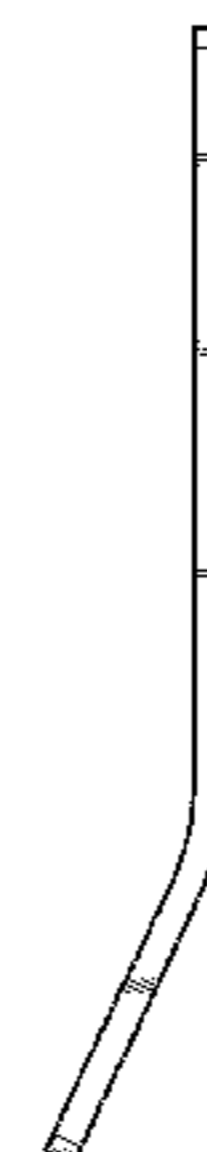
FIG. 1 is a front perspective view of the tablet computer showing our new design;
FIG. 2 is a front view thereof;
FIG. 3 is a rear view thereof;
FIG. 4 is a left side view thereof;
FIG. 5 is a right side view thereof;
FIG. 6 is a top view thereof;
FIG. 7 is a bottom view thereof;
FIG. 8 is a illustrates a use status in which the tablet computer is unbent while an internet browser is executed; and,
FIG. 9 illustrates a use state in which the tablet computer is bent while an internet browser is executed and a keyboard image is displayed to allow a search word to be input therein. The broken lines show portions of the tablet computer which form no part of the claimed design.

1 Claim, 8 Drawing Sheets

[PERSPECTIVE VIEW]



[RIGHT SIDE VIEW]



(56)

References Cited

OTHER PUBLICATIONS

U.S. PATENT DOCUMENTS

D681,054 S * 4/2013 Koh et al. D14/496
D682,263 S * 5/2013 Kim et al. D14/341
2010/0120470 A1* 5/2010 Kim et al. 455/566
2010/0182265 A1 7/2010 Kim et al.
2013/0307816 A1* 11/2013 Lee et al. 345/174

Internet Material, Search Request: AKZ=40404167.1 or {VART =
tell-verf and AKZF—40404167.1 }; Result list: 6 result/s, 1 page.

* cited by examiner

FIG. 1
[PERSPECTIVE VIEW]

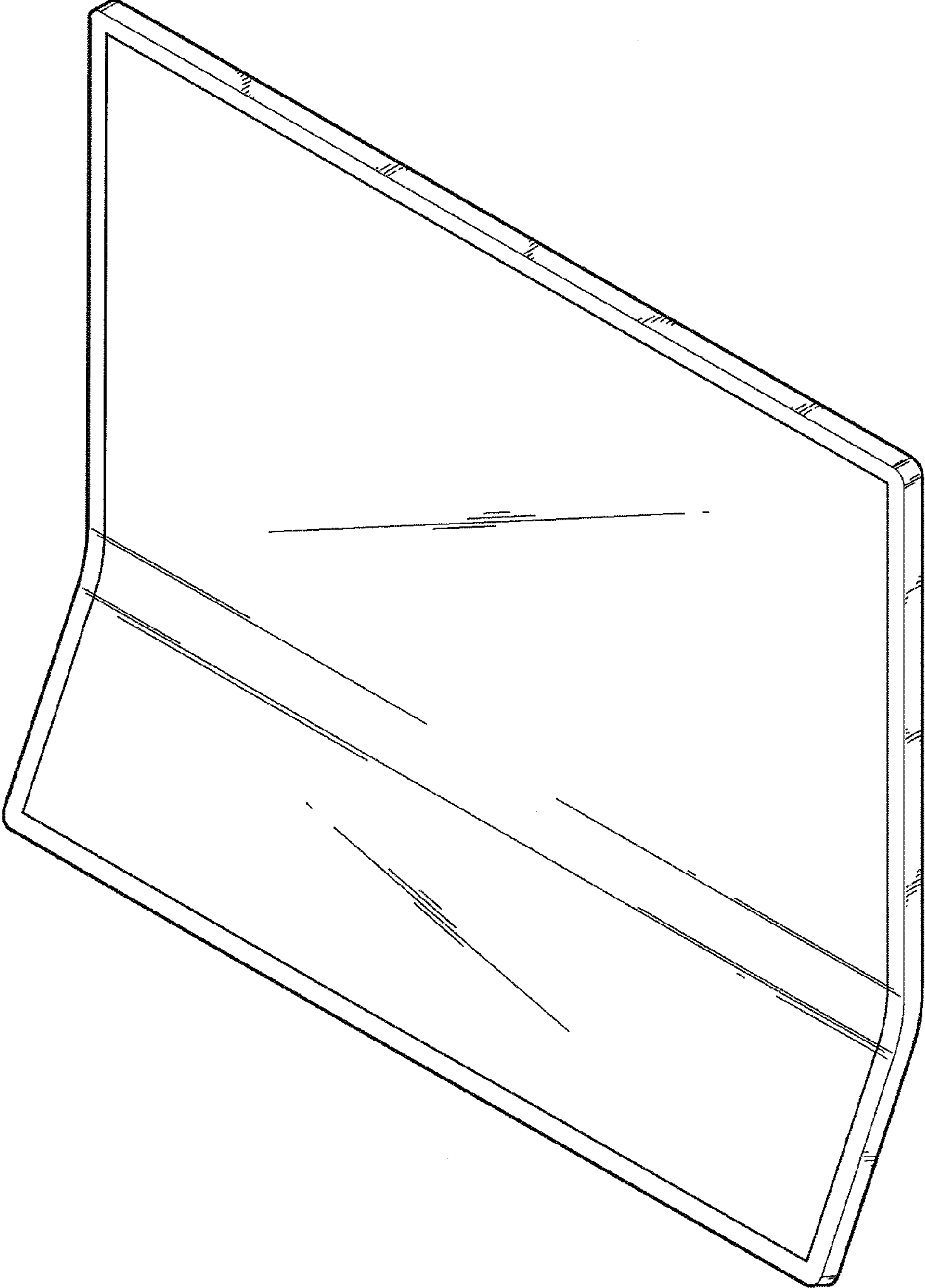


FIG. 2
[FRONT VIEW]

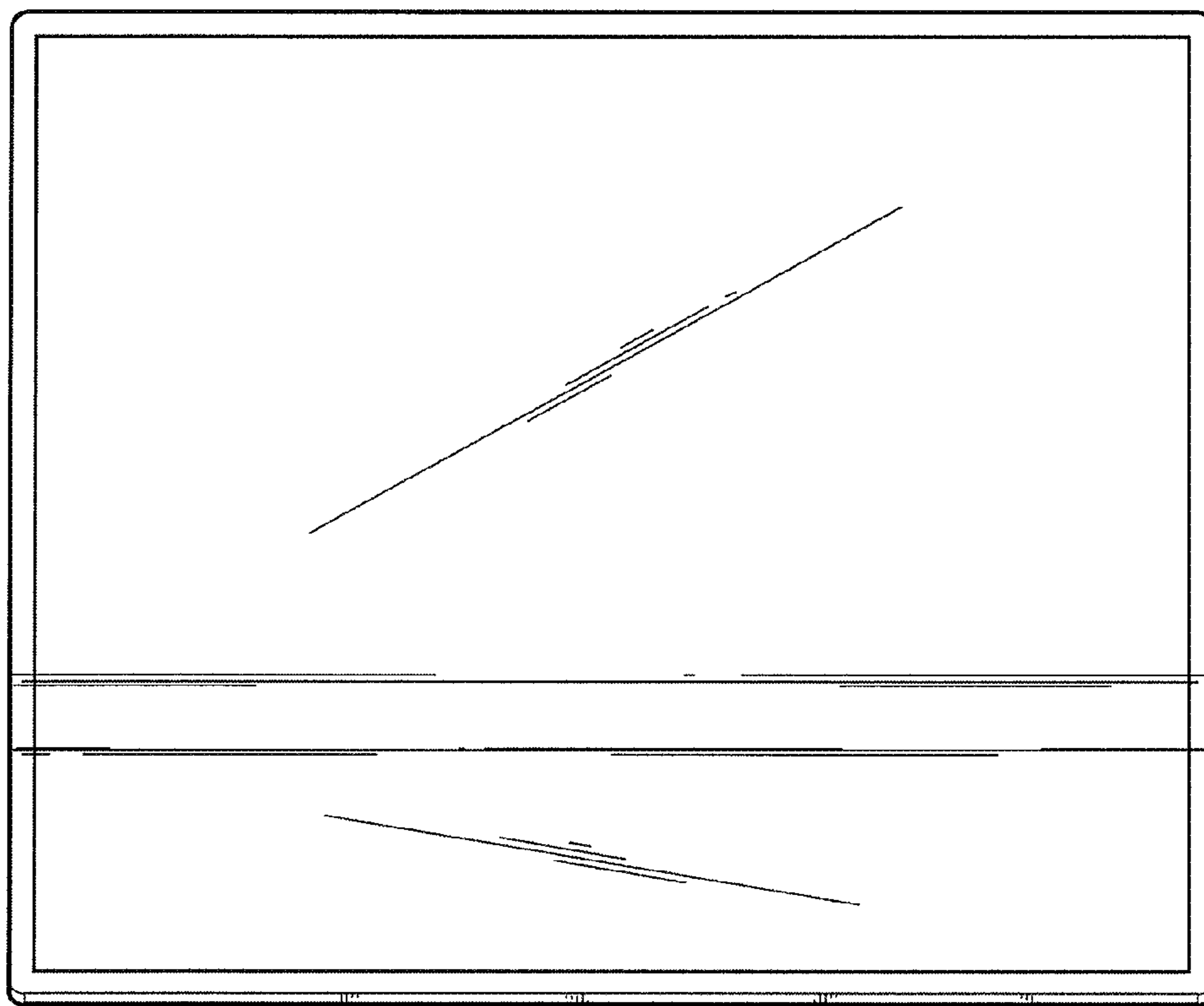


FIG. 3
[REAR VIEW]

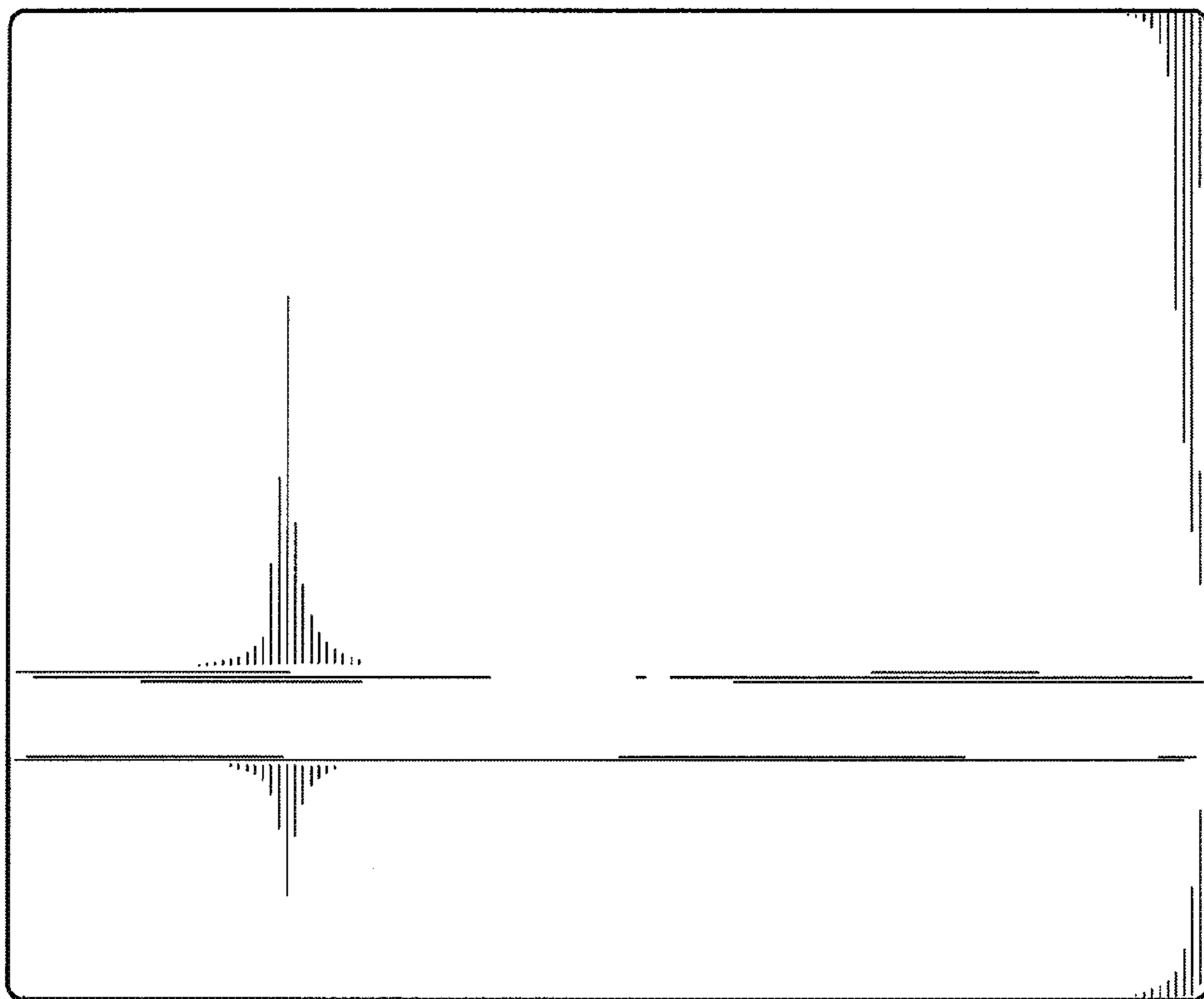


FIG. 4
[LEFT SIDE VIEW]

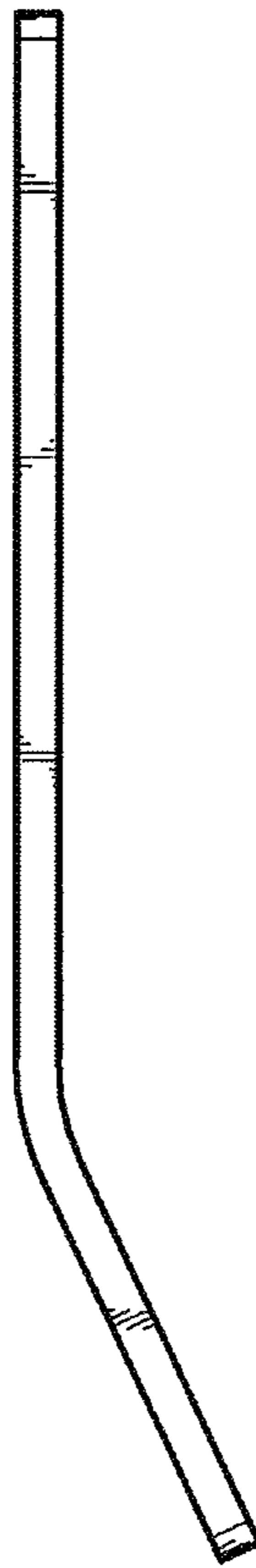


FIG. 5
[RIGHT SIDE VIEW]



FIG. 6
[PLANE VIEW]

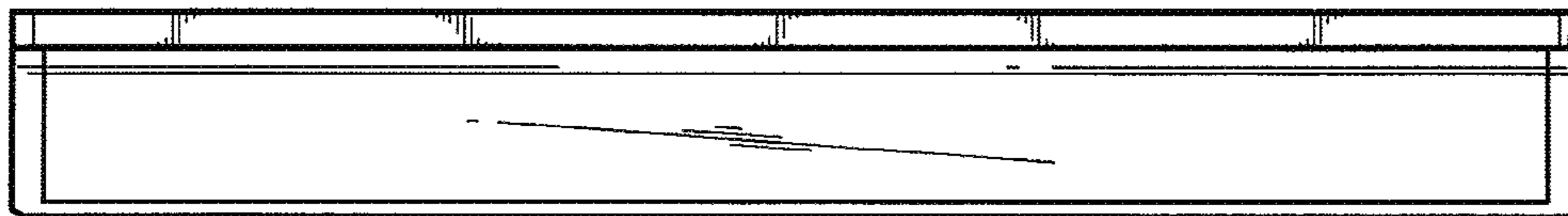


FIG. 7
[BOTTOM VIEW]

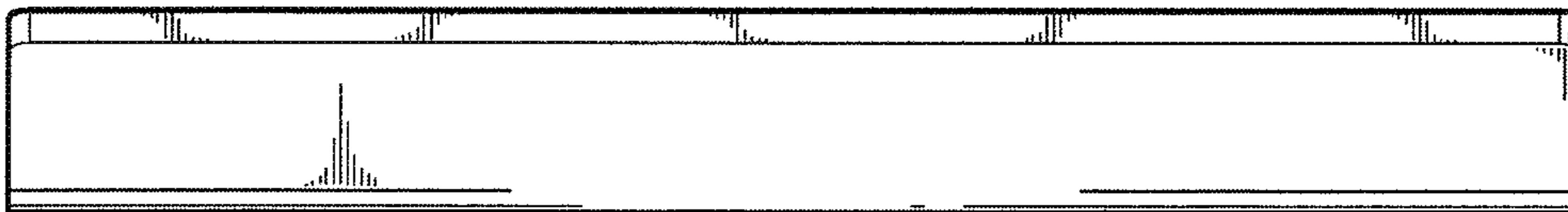


FIG. 8

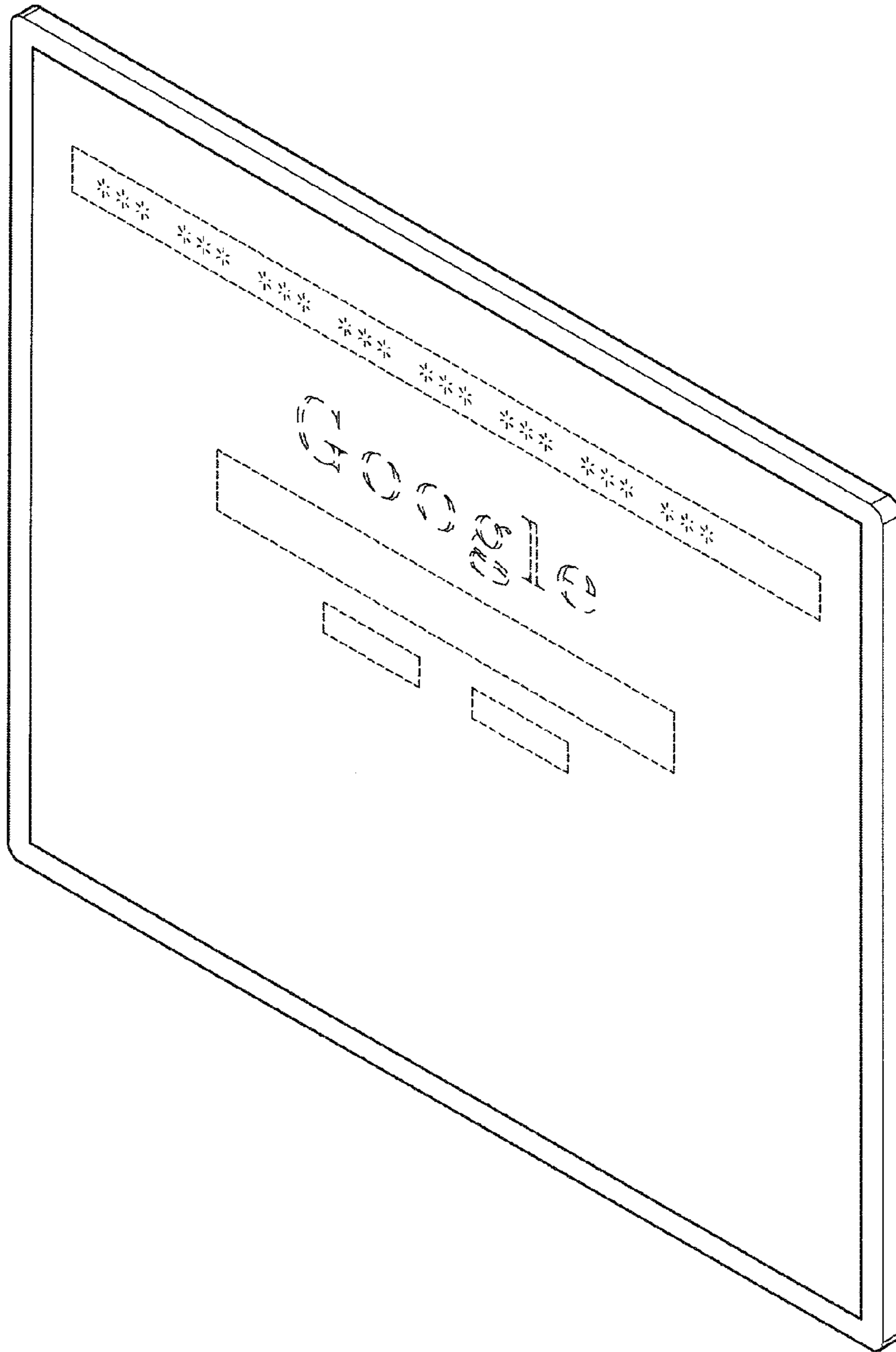
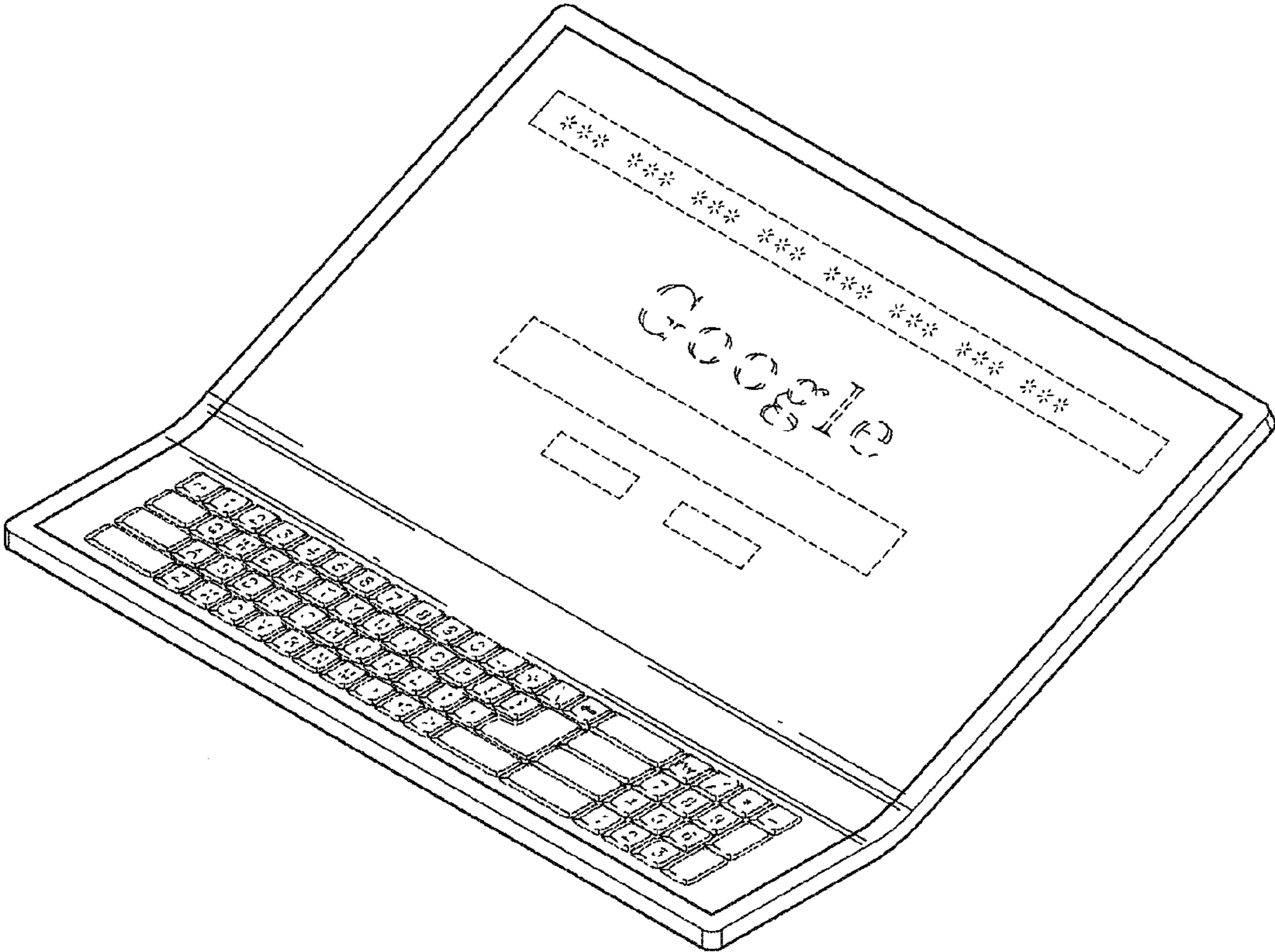


FIG. 9



UNITED STATES PATENT AND TRADEMARK OFFICE
CERTIFICATE OF CORRECTION

PATENT NO. : D713,841 S
APPLICATION NO. : 29/434208
DATED : September 23, 2014
INVENTOR(S) : Ji-Soo Lim et al.

Page 1 of 1

It is certified that error appears in the above-identified patent and that said Letters Patent is hereby corrected as shown below:

On the Title Page

Item (30) Foreign Application Priority Data

Insert

-- (30) Foreign Application Priority Data

May 25, 2012 (KR) 30-2012-0026103 --

Description, line 9

Delete "is a"

Signed and Sealed this
Thirtieth Day of December, 2014



Michelle K. Lee
Deputy Director of the United States Patent and Trademark Office