



US00D713840S

(12) **United States Design Patent**  
**Daniel**

(10) **Patent No.:** **US D713,840 S**  
(45) **Date of Patent:** **\*\* Sep. 23, 2014**

(54) **IMMIGRATION EXIT DESK TERMINAL**

(71) Applicant: **Isaac S. Daniel**, Miramar, FL (US)

(72) Inventor: **Isaac S. Daniel**, Miramar, FL (US)

(\*\*) Term: **14 Years**

(21) Appl. No.: **29/469,092**

(22) Filed: **Oct. 7, 2013**

(51) **LOC (10) Cl.** ..... **14-02**

(52) **U.S. Cl.**  
USPC ..... **D14/307**

(58) **Field of Classification Search**  
USPC ..... D14/302-307, 900-902; D13/163;  
D20/10; D21/332, 325, 369, 370;  
D99/28; D6/397, 466; 194/206;  
361/679.01, 679.02, 679.04, 679.21,  
361/679.57, 725

See application file for complete search history.

(56) **References Cited**

**U.S. PATENT DOCUMENTS**

D366,975 S *	2/1996	Kaga	.....	D6/470
D425,875 S *	5/2000	Wilson	.....	D14/307
D532,417 S *	11/2006	Becker et al.	.....	D14/307
D537,440 S *	2/2007	Esplo	.....	D14/307
D628,742 S *	12/2010	Hsu	.....	D28/9
D653,419 S *	1/2012	Rohan et al.	.....	D99/28
D661,292 S *	6/2012	Kuroda et al.	.....	D14/307

D669,891 S *	10/2012	Bowles et al.	.....	D14/307
D675,610 S *	2/2013	Ono	.....	D14/307
D691,141 S *	10/2013	Cruz	.....	D14/439
D695,285 S *	12/2013	Smith et al.	.....	D14/307
D696,658 S *	12/2013	Winston et al.	.....	D14/307
D702,676 S *	4/2014	Smith et al.	.....	D14/307

\* cited by examiner

*Primary Examiner* — Austin Murphy

(74) *Attorney, Agent, or Firm* — Carol N. Green, Esq.

(57) **CLAIM**

The ornamental design for an immigration exit desk terminal, as shown and described.

**DESCRIPTION**

FIG. 1 is a front perspective view of the immigration exit desk terminal.

FIG. 2 is a rear perspective view of the immigration exit desk terminal.

FIG. 3 is a right side view of the immigration exit desk terminal.

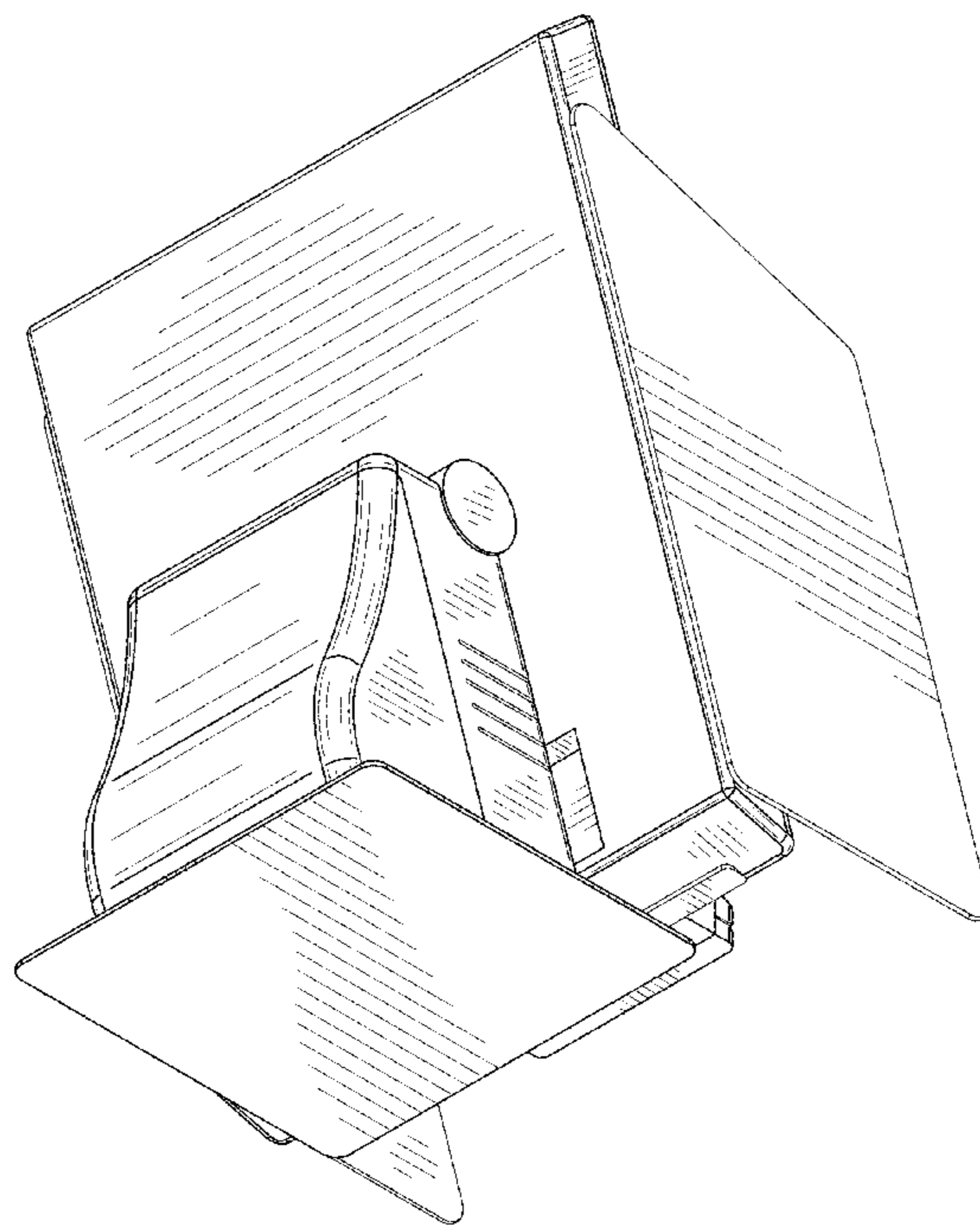
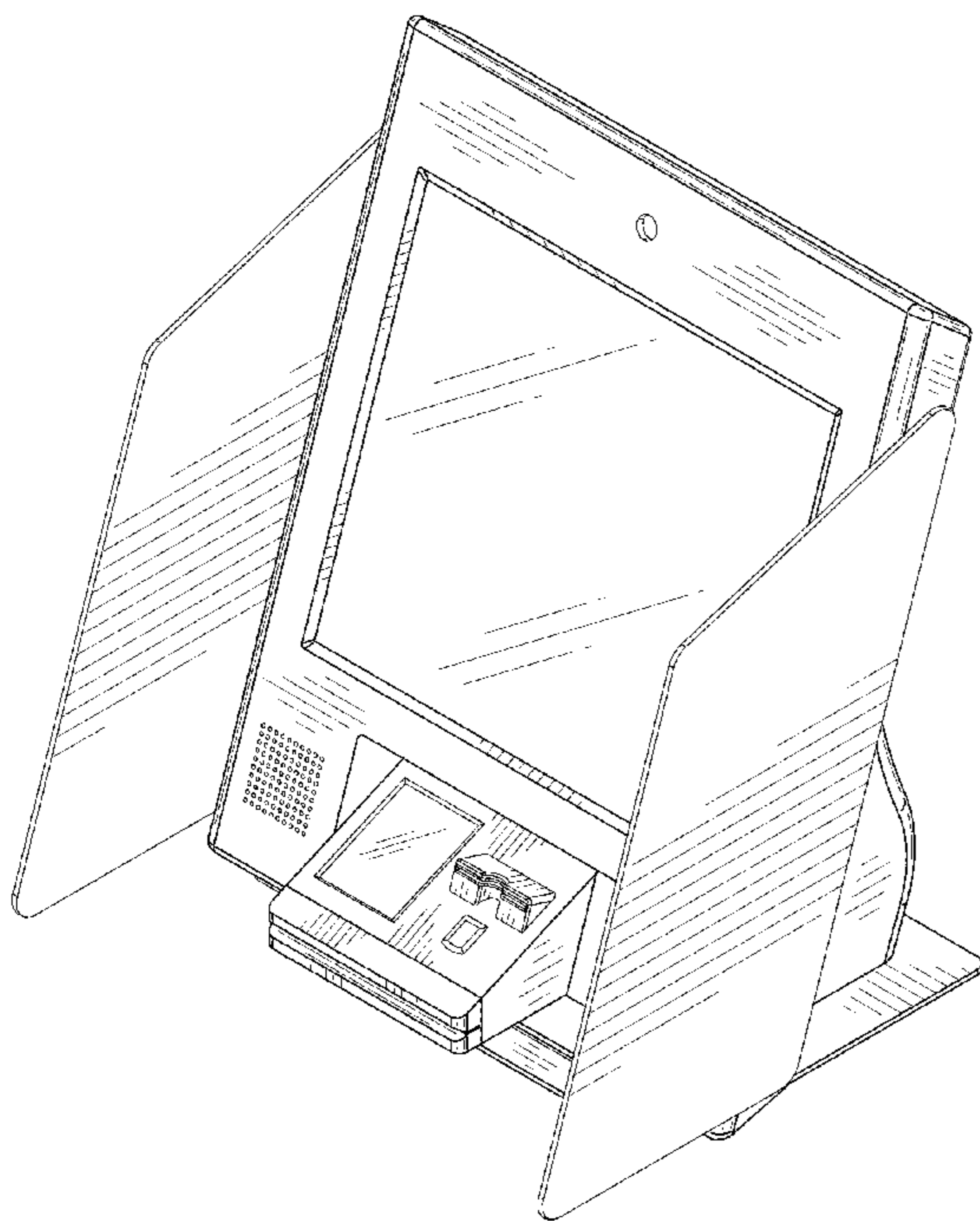
FIG. 4 is a front plan view of the immigration exit desk terminal.

FIG. 5 is a rear plan view of the immigration exit desk terminal.

FIG. 6 is a top view of the immigration exit desk terminal; and,

FIG. 7 is a rear view of the immigration exit desk terminal.

**1 Claim, 7 Drawing Sheets**



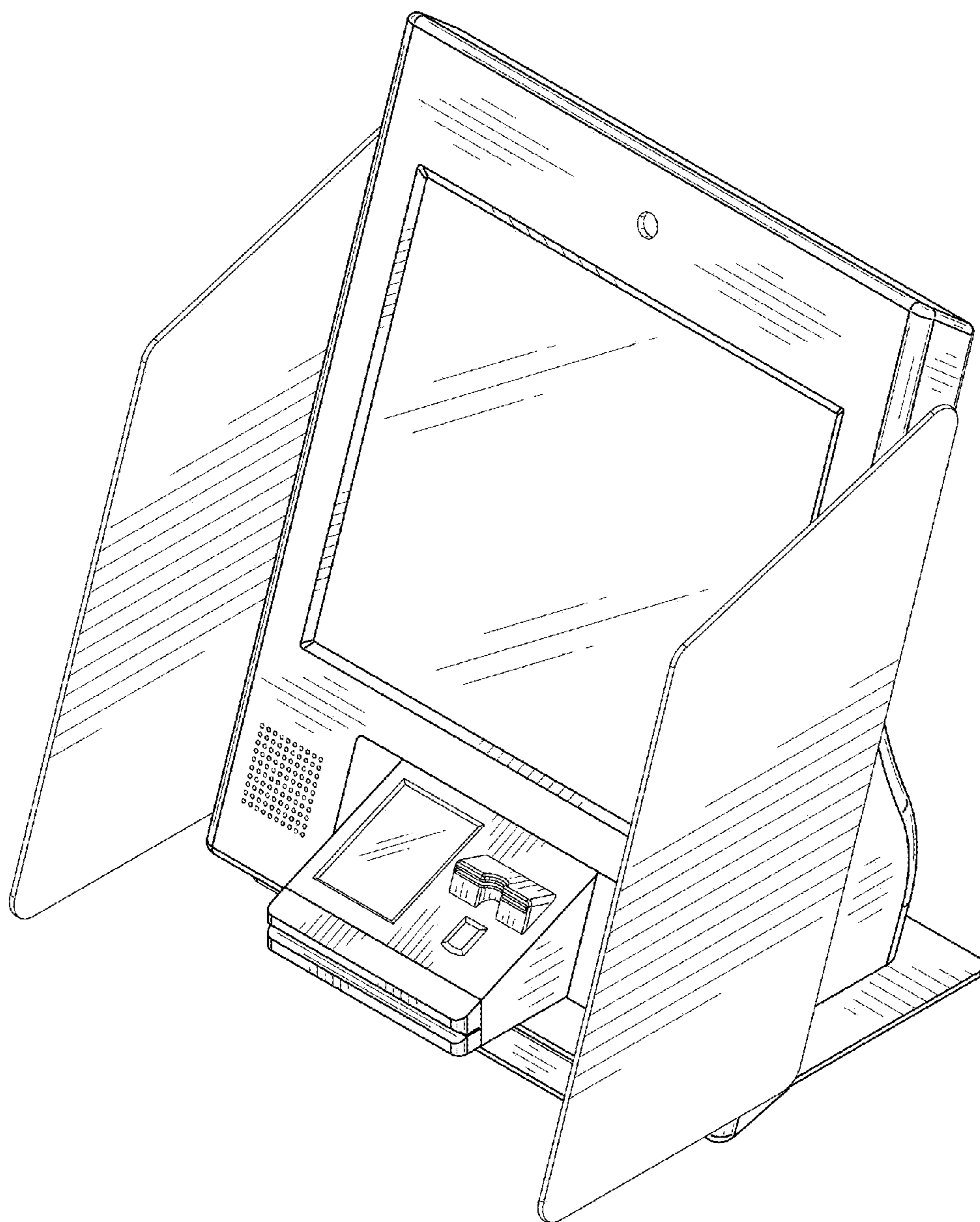


FIG. 1

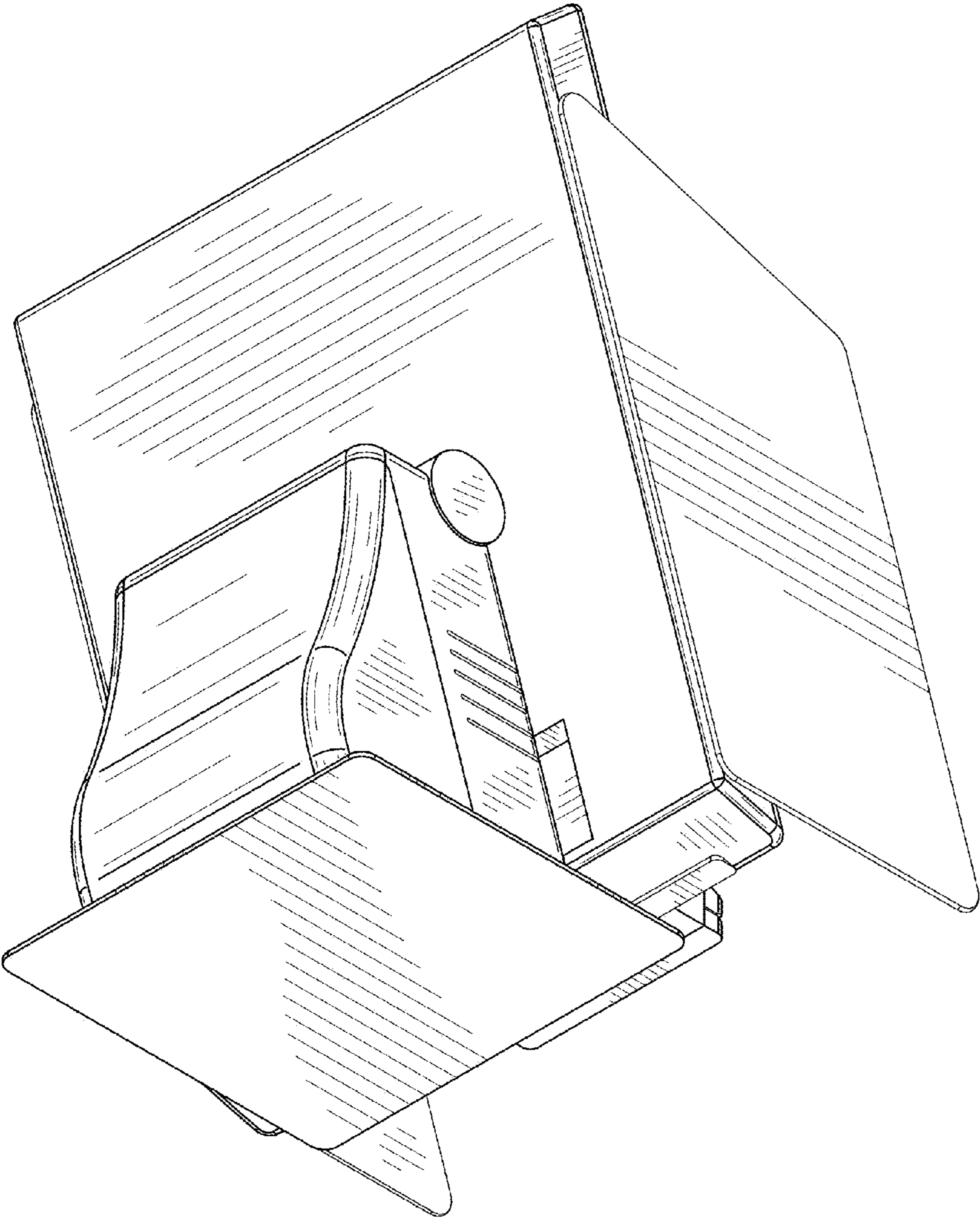


FIG. 2

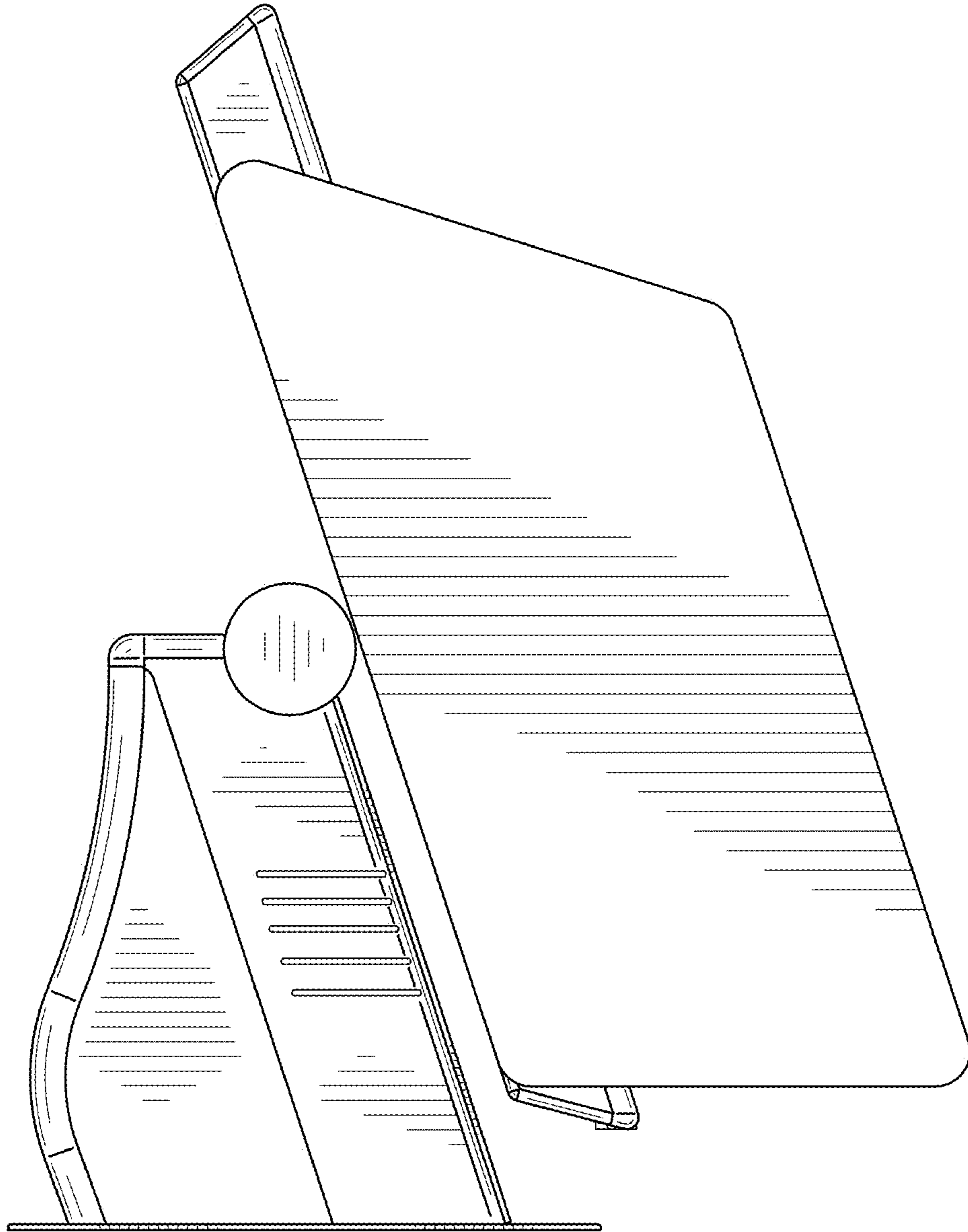


FIG. 3

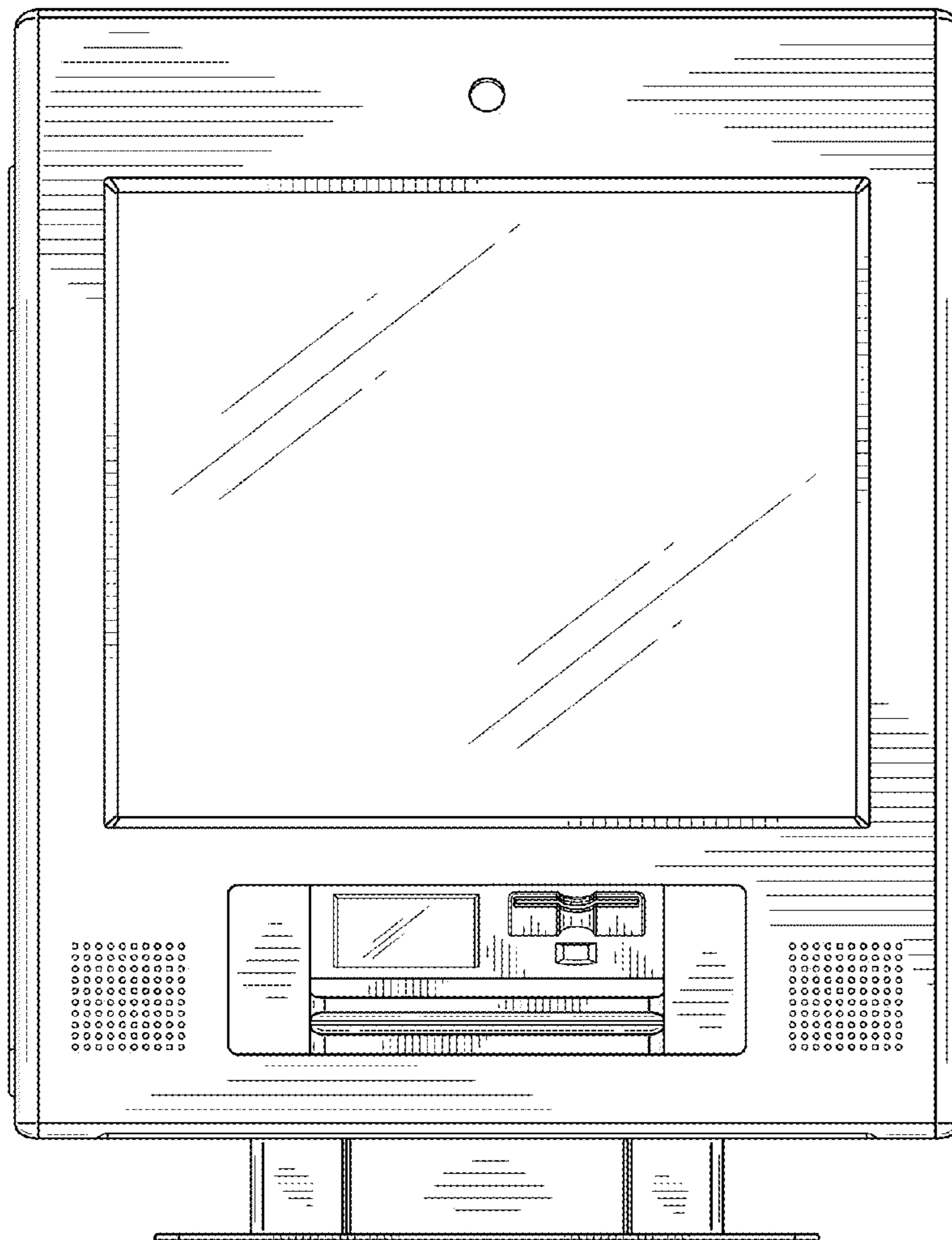


FIG. 4

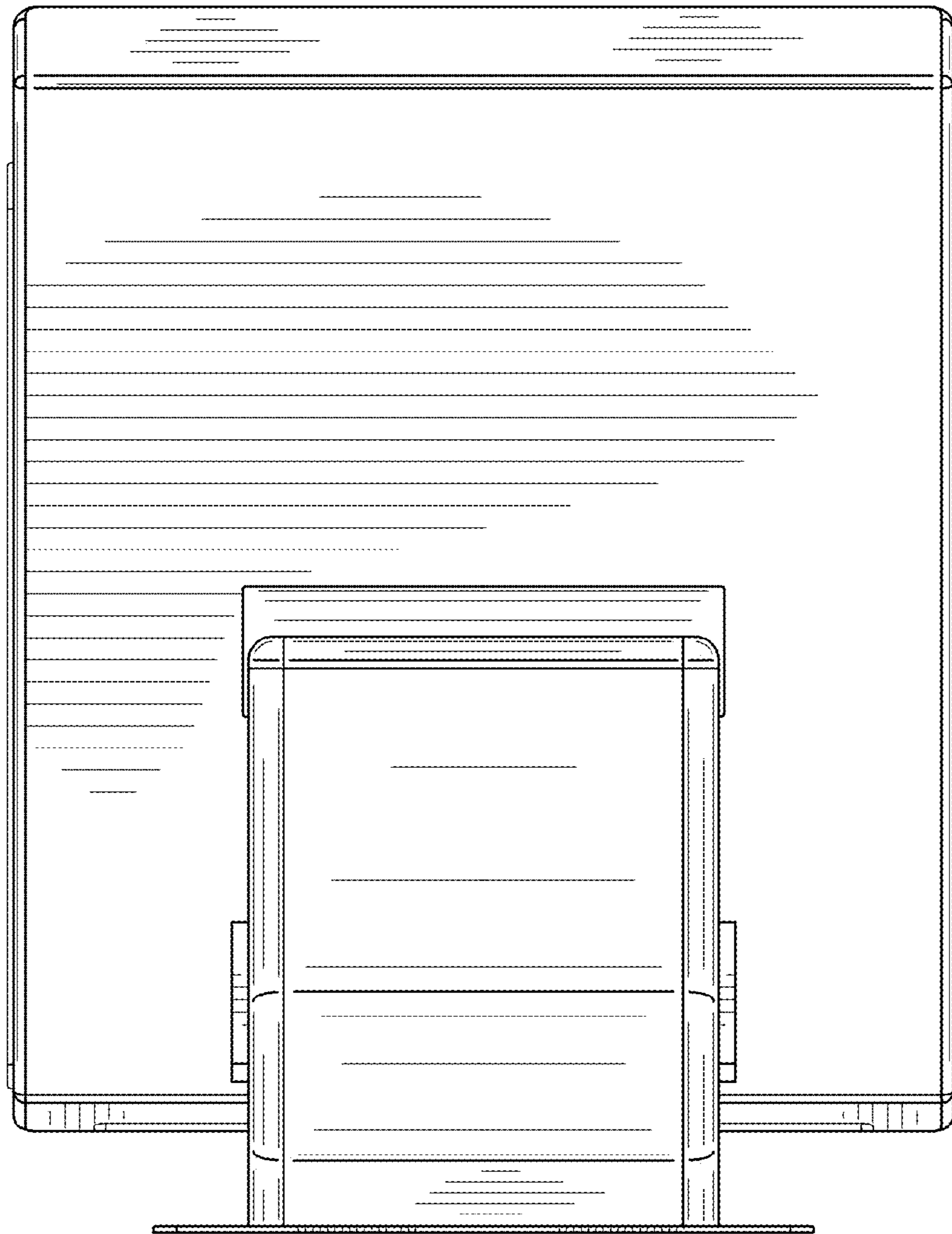


FIG. 5

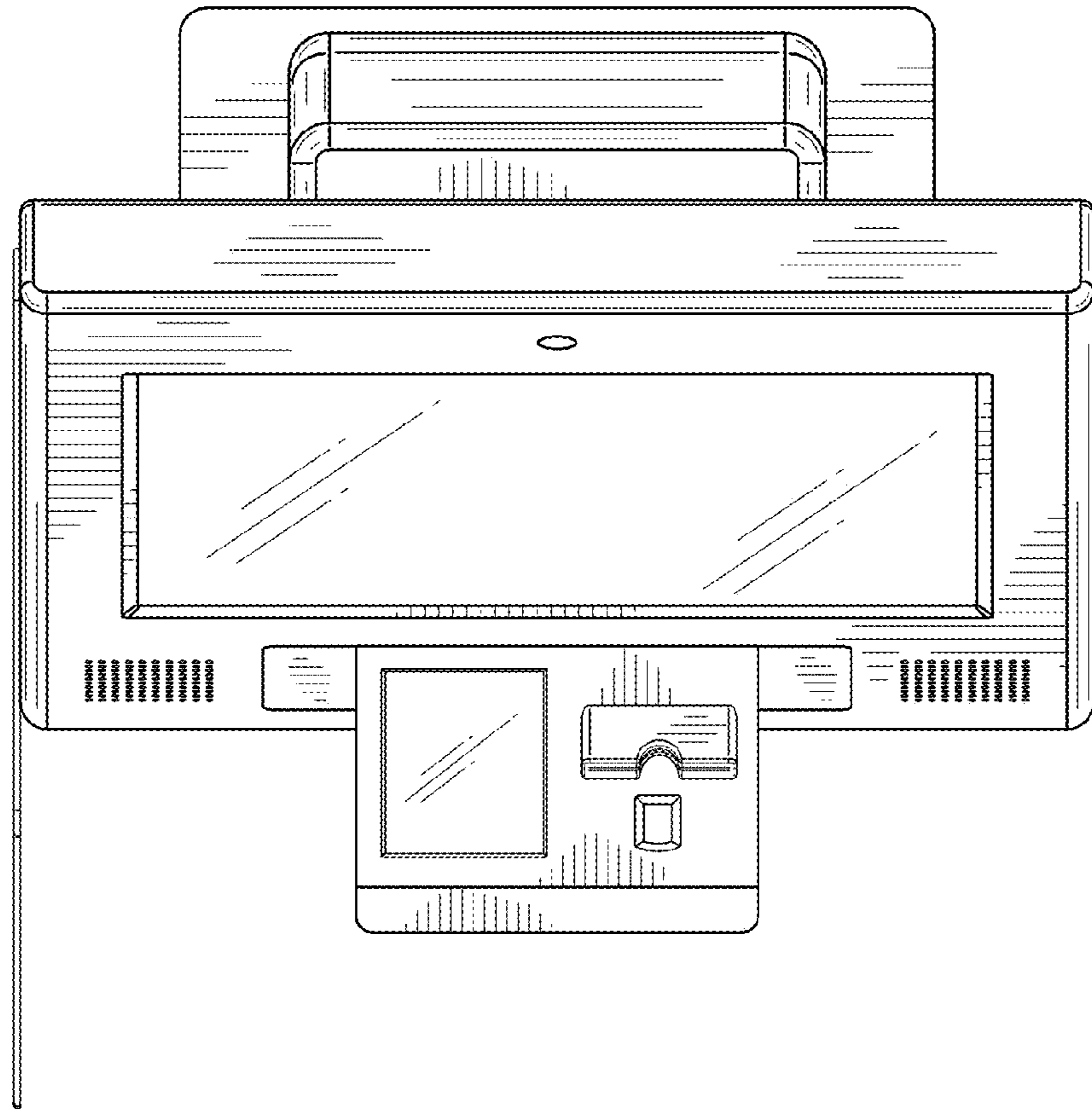


FIG. 6

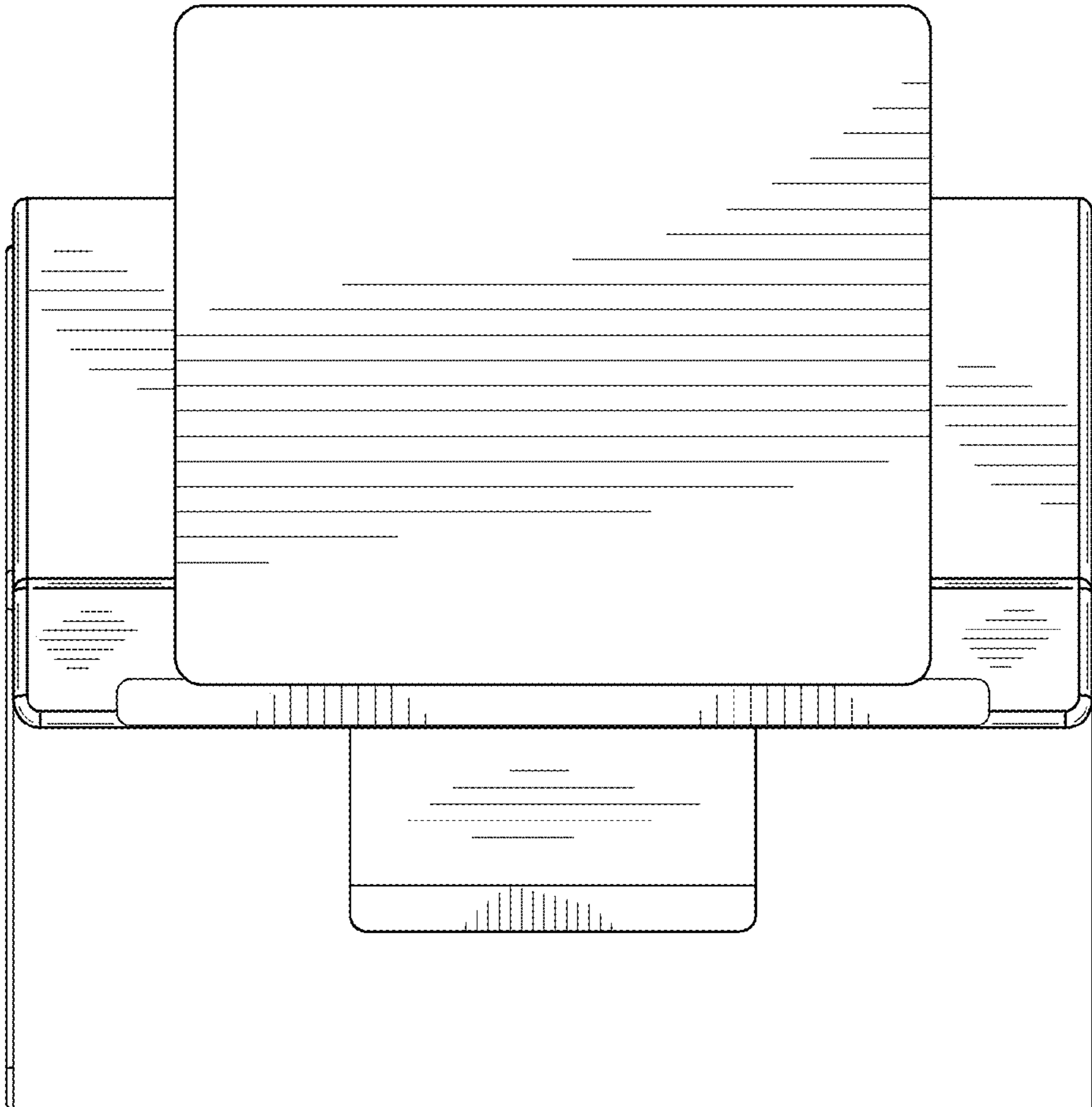


FIG. 7