



US00D713838S

(12) **United States Design Patent**  
**André**

(10) **Patent No.:** **US D713,838 S**

(45) **Date of Patent:** **\*\* Sep. 23, 2014**

(54) **BUILDING BLOCK PHONE STAND**

(71) Applicant: **Intermed Asia Limited**, Hong Kong (CN)

(72) Inventor: **Olivier André**, Hong Kong (CN)

(73) Assignee: **Intermed Asia Limited**, Hung Hom, Kowloon (HK)

(\*\*) Term: **14 Years**

(21) Appl. No.: **29/477,620**

(22) Filed: **Dec. 24, 2013**

(30) **Foreign Application Priority Data**

Aug. 15, 2013 (CN) ..... 2013 3 0390707

(51) **LOC (10) Cl.** ..... **14-03**

(52) **U.S. Cl.**  
USPC ..... **D14/253**; D21/484; D21/504

(58) **Field of Classification Search**  
USPC ..... D14/208, 209.1, 217, 238.1, 243, D14/250-253, 434, 440, 447, 496, D14/203.3-203.7, 248, 240, 341-347; D3/201, 215, 218, 226, 269, 273, 301, D3/303; D19/90; D6/553; 455/575.1, 455/575.8; 206/305, 320; 320/108, 115; 429/96; 220/4.02; 150/165; 361/679.56, 679.3, 679.25, 816; 379/426, 446, 455, 433.1; 248/309.1, 248/371, 176.3, 668; 224/411; D12/223, D12/407; D21/502, 504, 484

See application file for complete search history.

(56) **References Cited**

U.S. PATENT DOCUMENTS

D308,705 S *	6/1990	Olsen .....	D21/501
D311,940 S *	11/1990	Anderson .....	D21/497
D351,005 S *	9/1994	Hojlund et al. ....	D21/501
D453,155 S *	1/2002	Michel .....	D14/253
D668,662 S *	10/2012	Suiter .....	D14/447
D672,350 S *	12/2012	Gioscia et al. ....	D14/434
D674,392 S *	1/2013	Cheng et al. ....	D14/434
D688,670 S *	8/2013	Huang .....	D14/447
D689,045 S *	9/2013	Mardas .....	D14/253
D695,851 S *	12/2013	Holm .....	D21/504
D696,360 S *	12/2013	Holm .....	D21/484
D699,246 S *	2/2014	Ringlein .....	D14/447
D701,925 S *	4/2014	Jensen .....	D21/504

\* cited by examiner

*Primary Examiner* — Susan Bennett Hattan

*Assistant Examiner* — Janice Hallmark

(74) *Attorney, Agent, or Firm* — Merchant & Gould P.C.

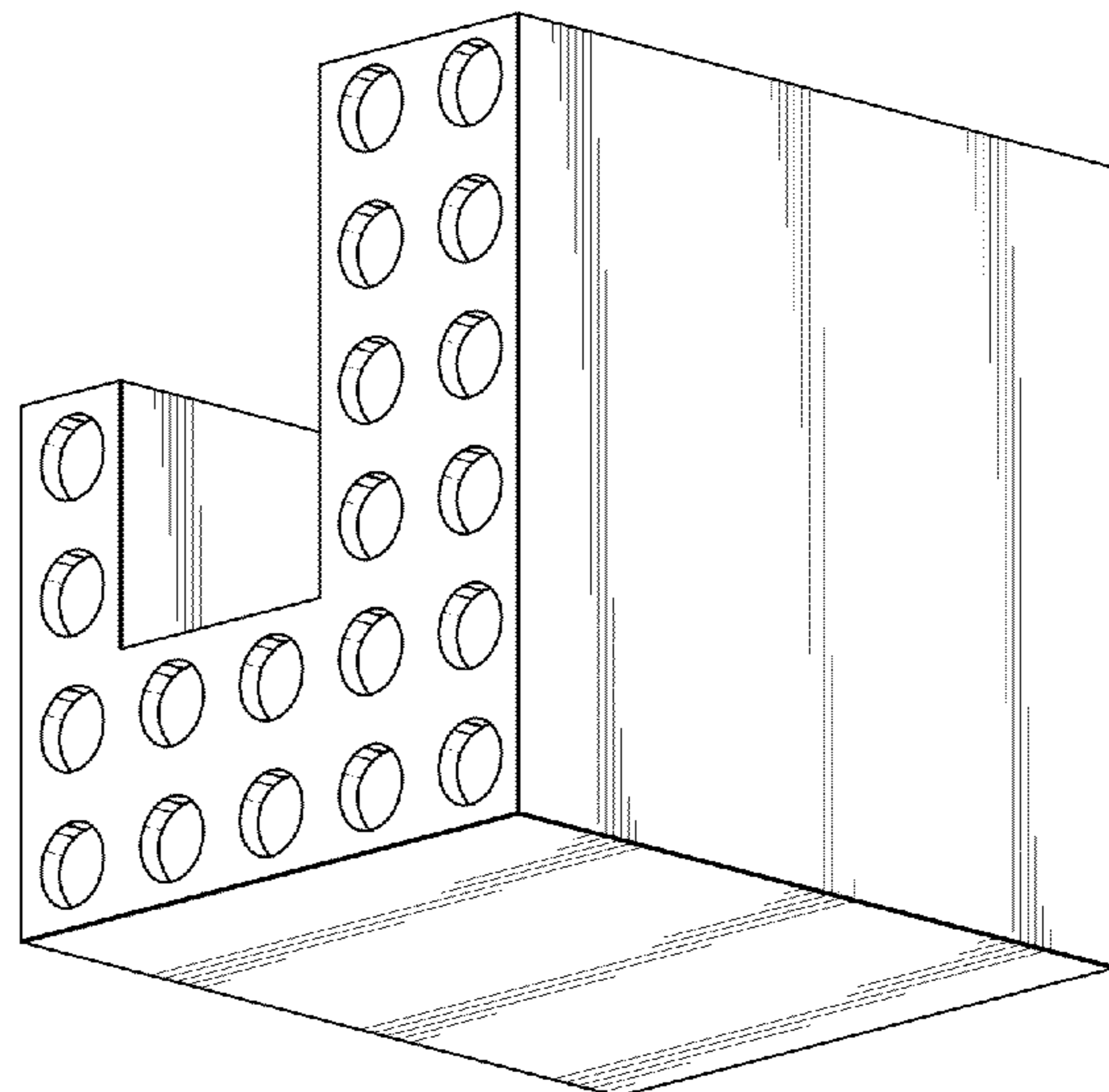
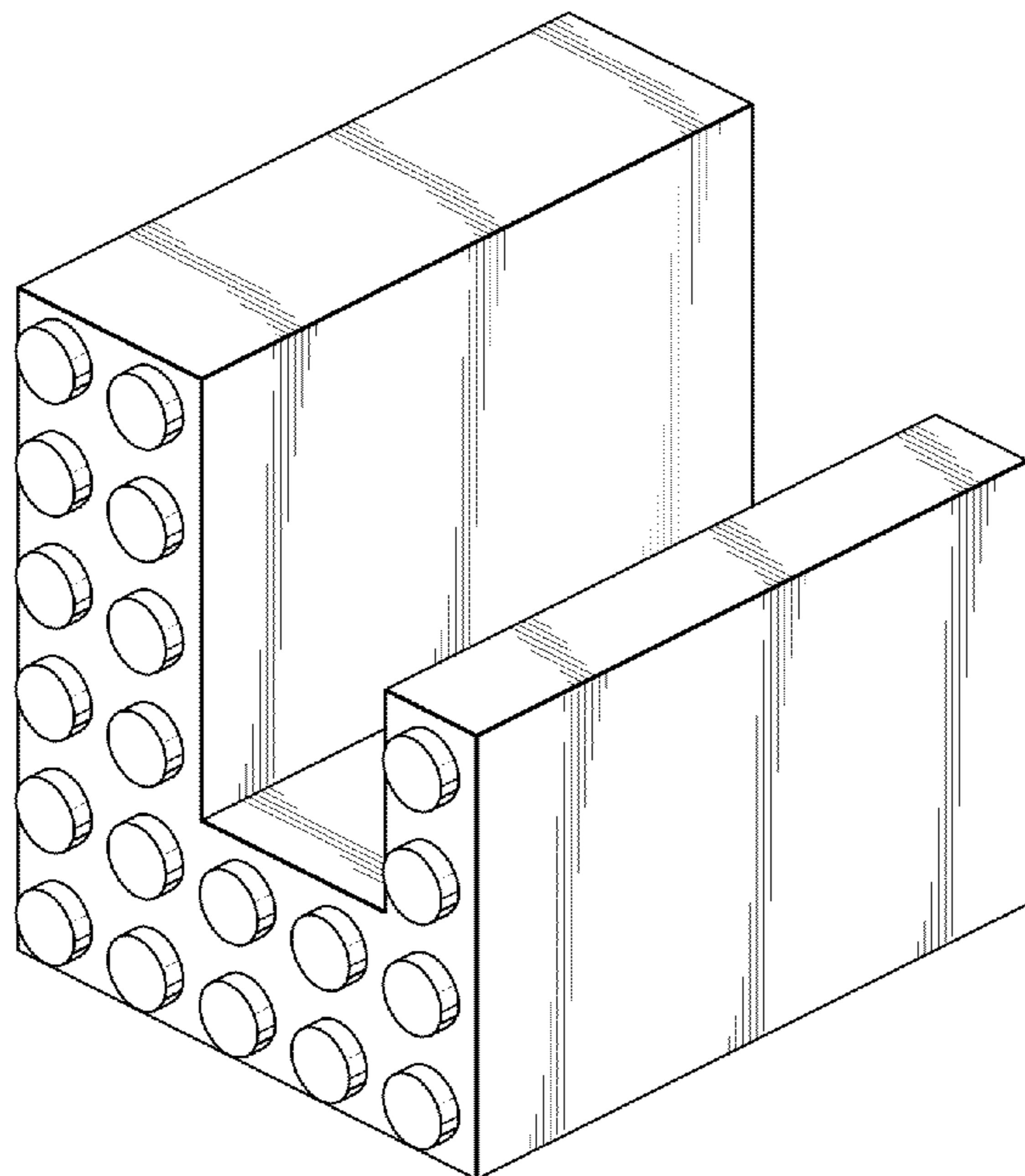
(57) **CLAIM**

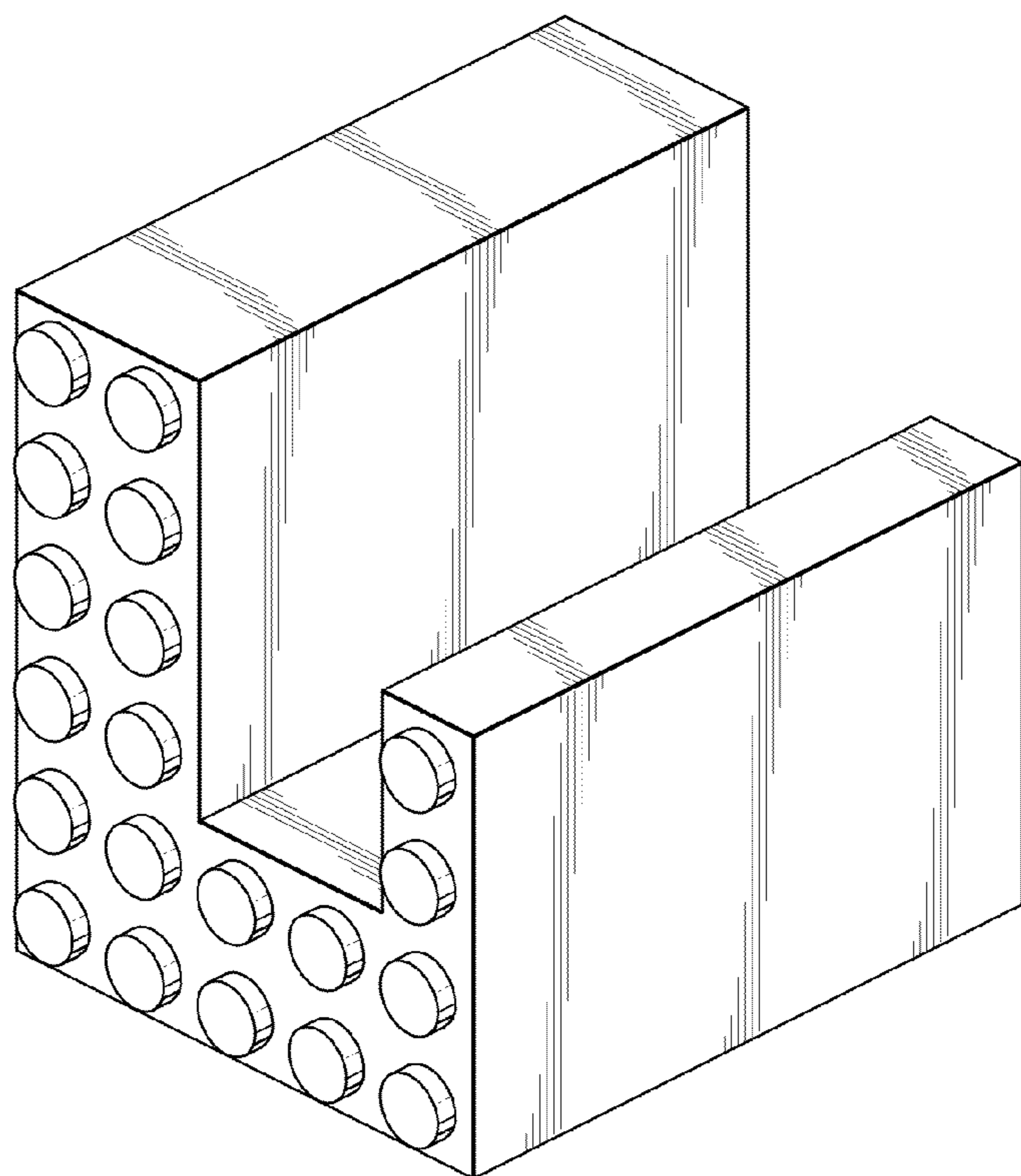
The ornamental design for a building block phone stand, as shown and described.

**DESCRIPTION**

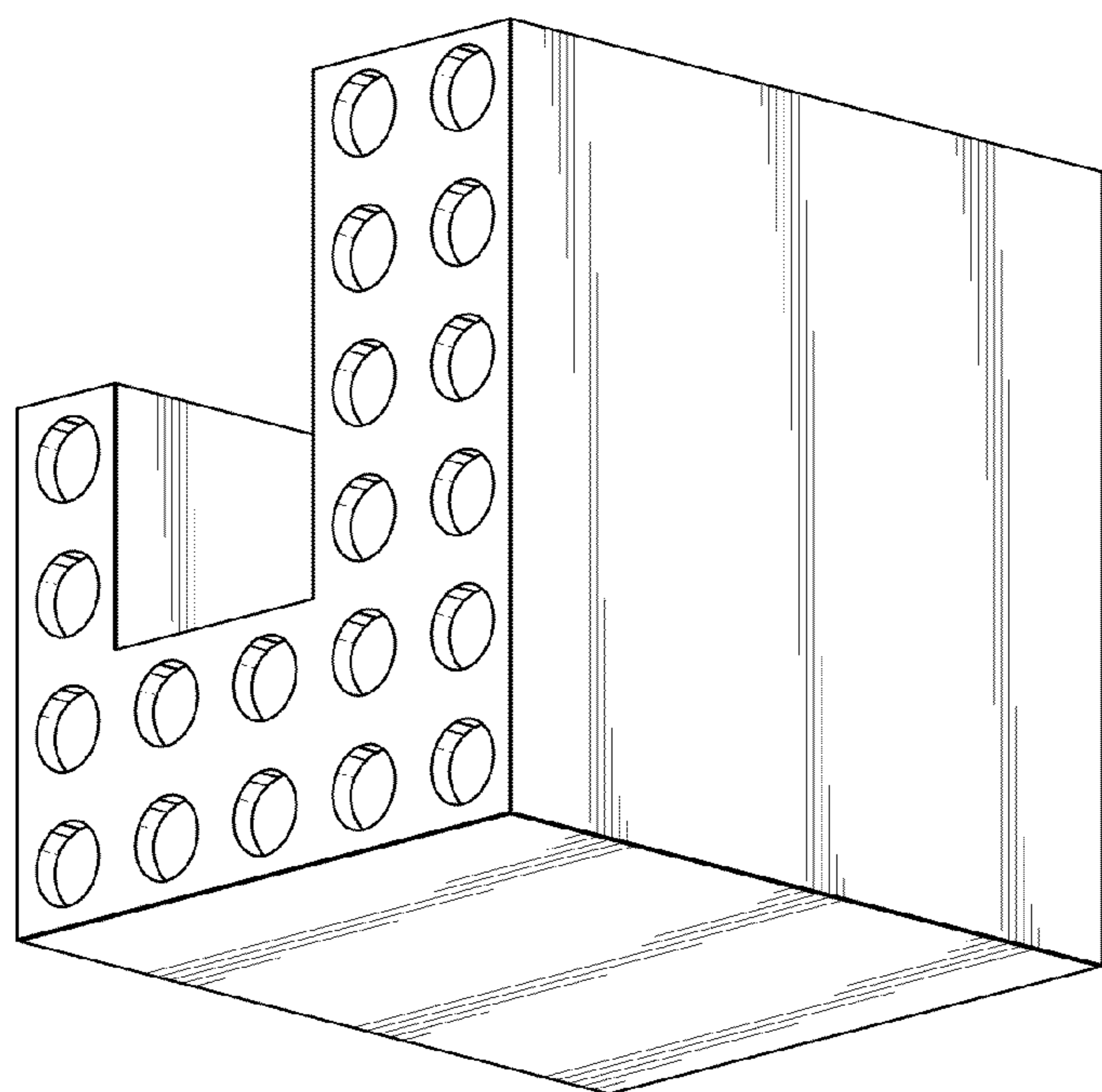
FIG. 1 is a front perspective view showing a building block phone stand;  
FIG. 2 is a rear perspective view thereof;  
FIG. 3 is a right side view thereof;  
FIG. 4 is a left side view thereof;  
FIG. 5 is a top view thereof;  
FIG. 6 is a bottom view thereof;  
FIG. 7 is a front plan view thereof; and,  
FIG. 8 is a rear plan view thereof.

**1 Claim, 4 Drawing Sheets**

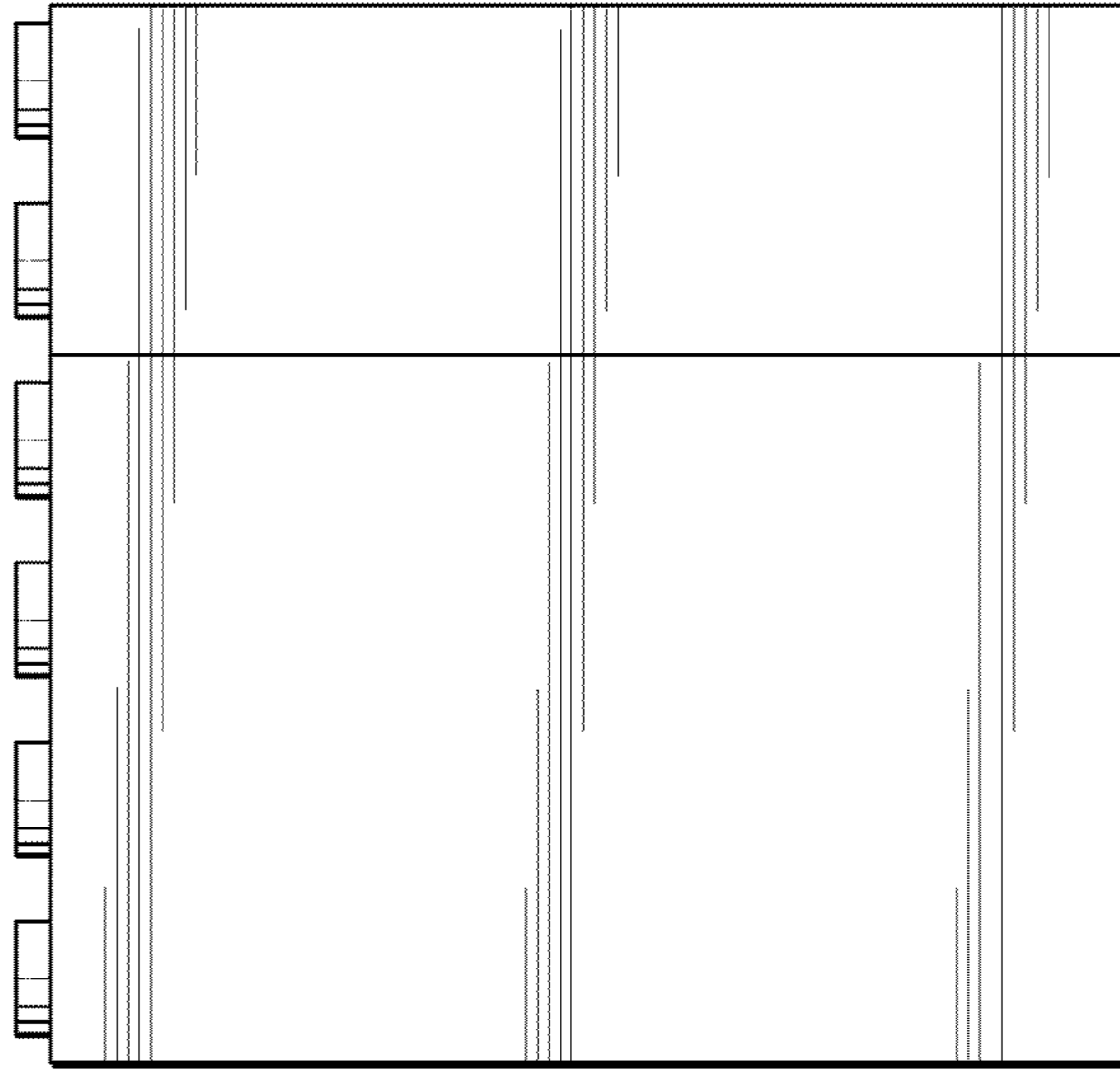




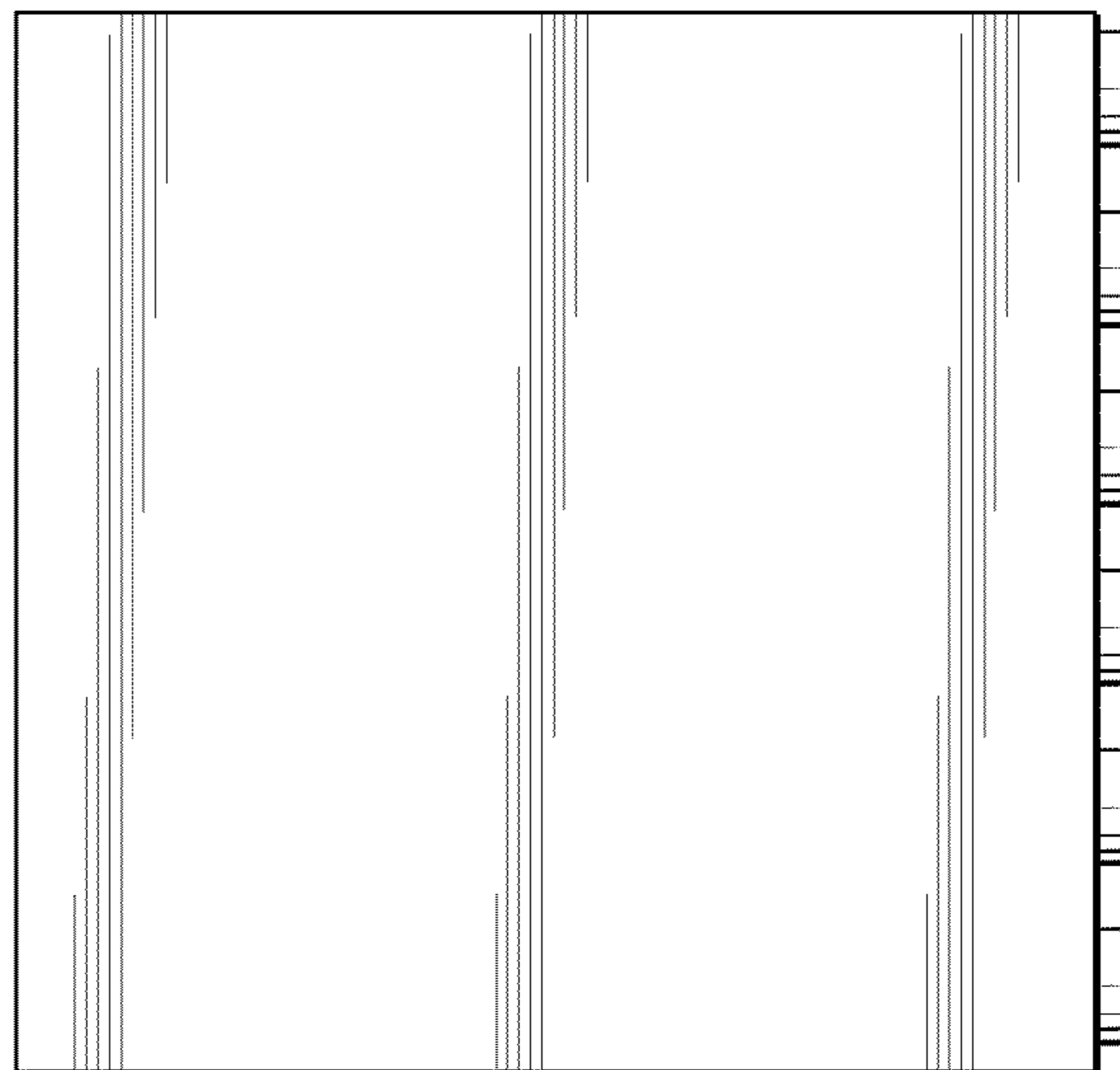
**FIG. 1**



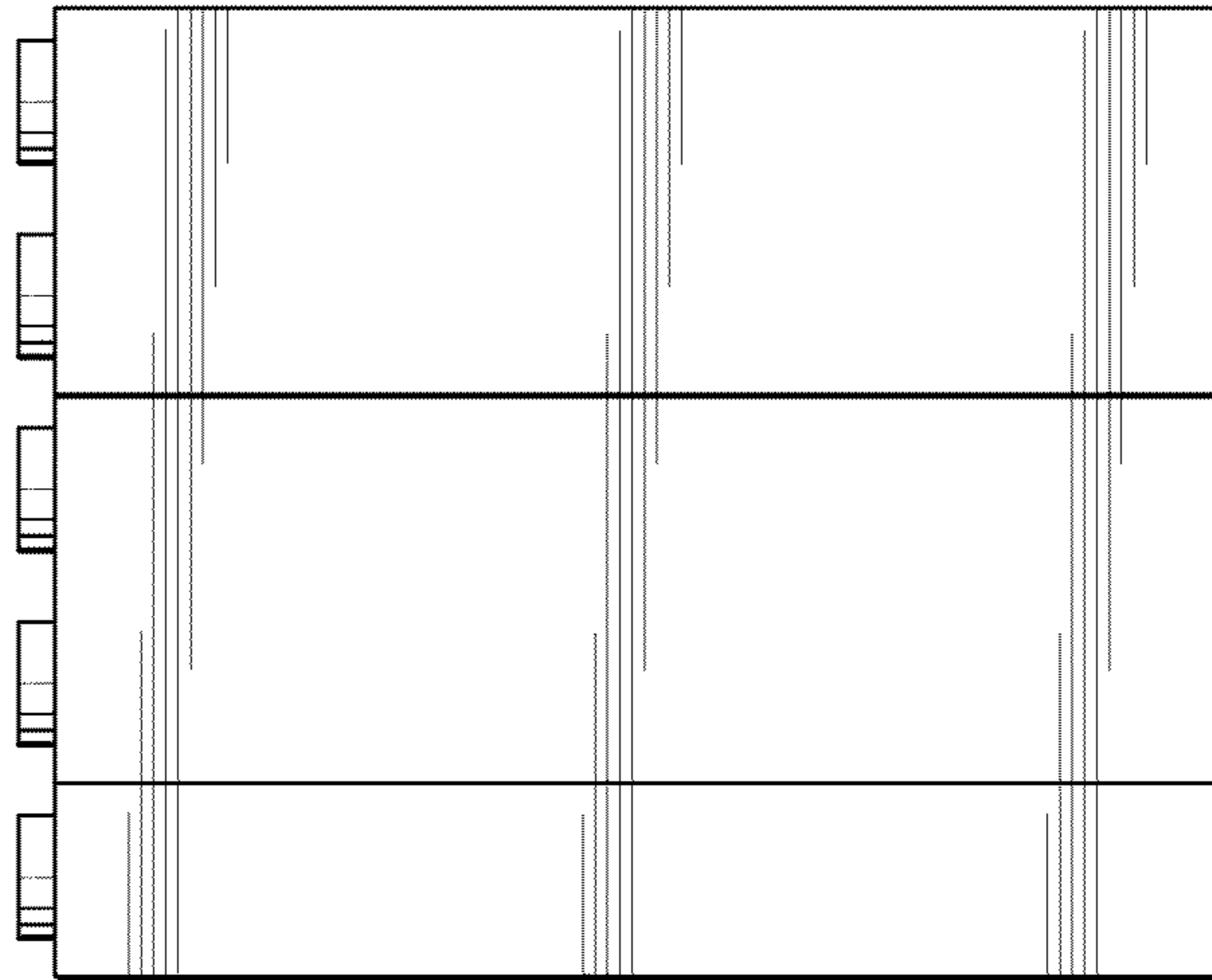
**FIG. 2**



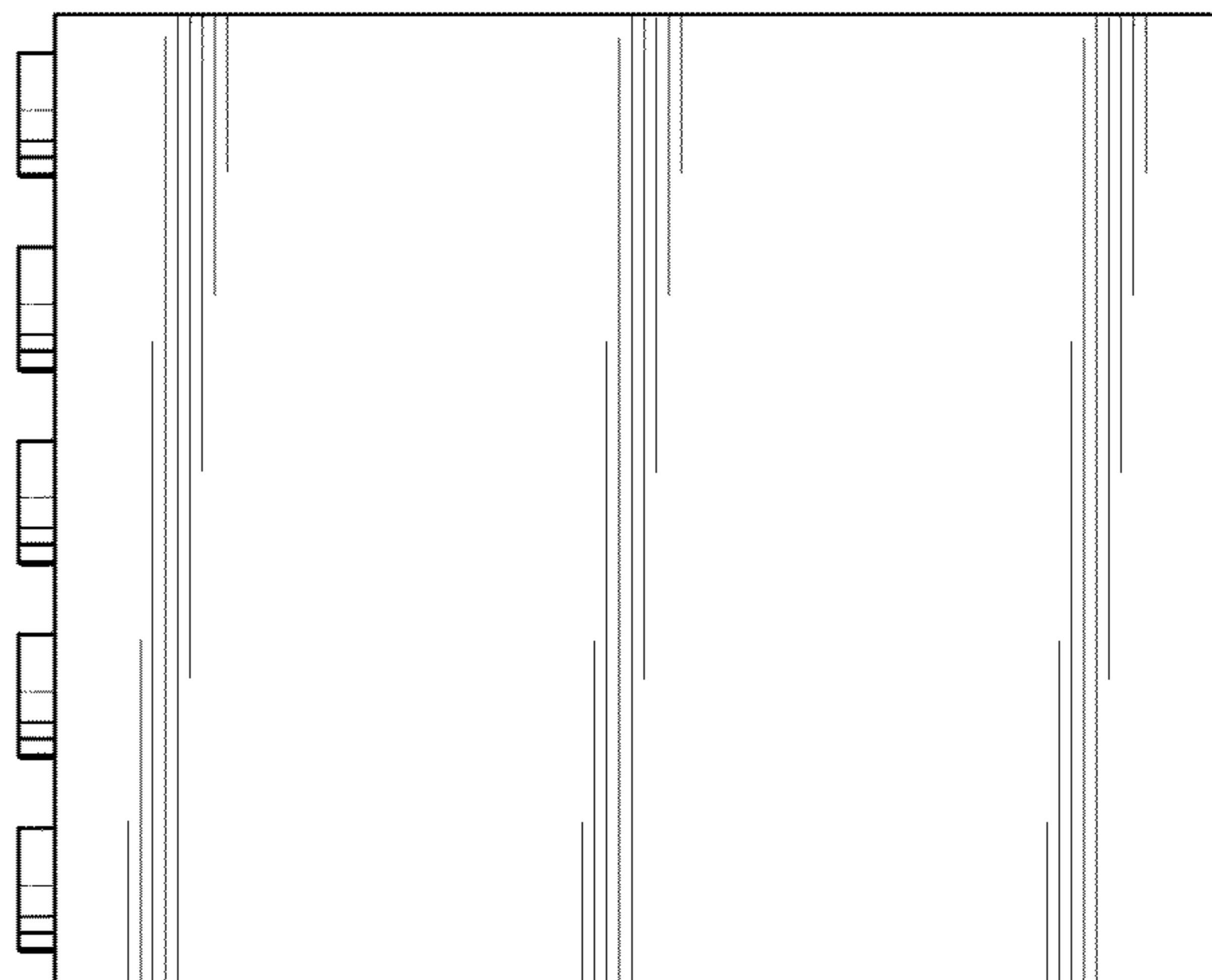
*FIG. 3*



*FIG. 4*

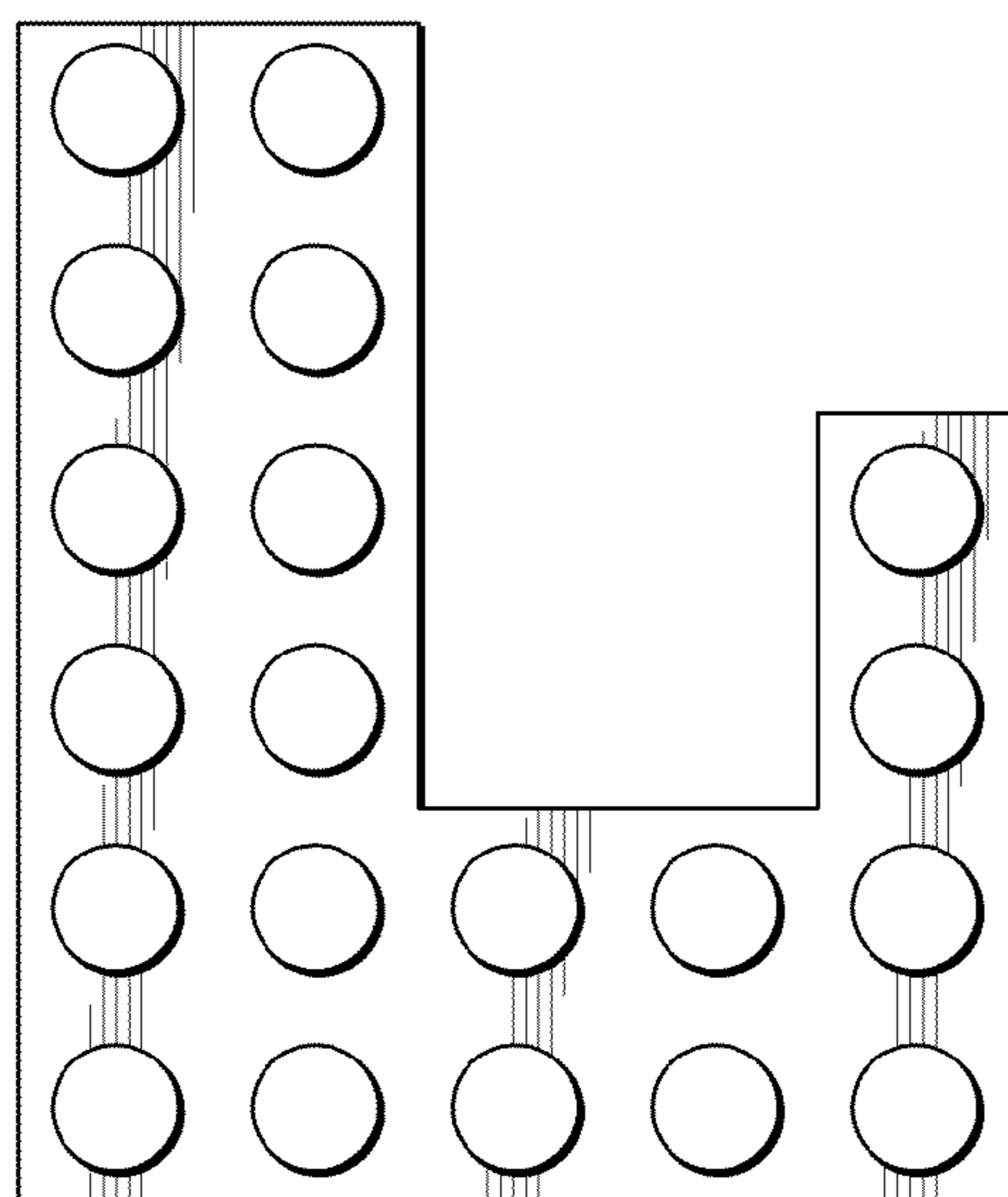


*FIG. 5*

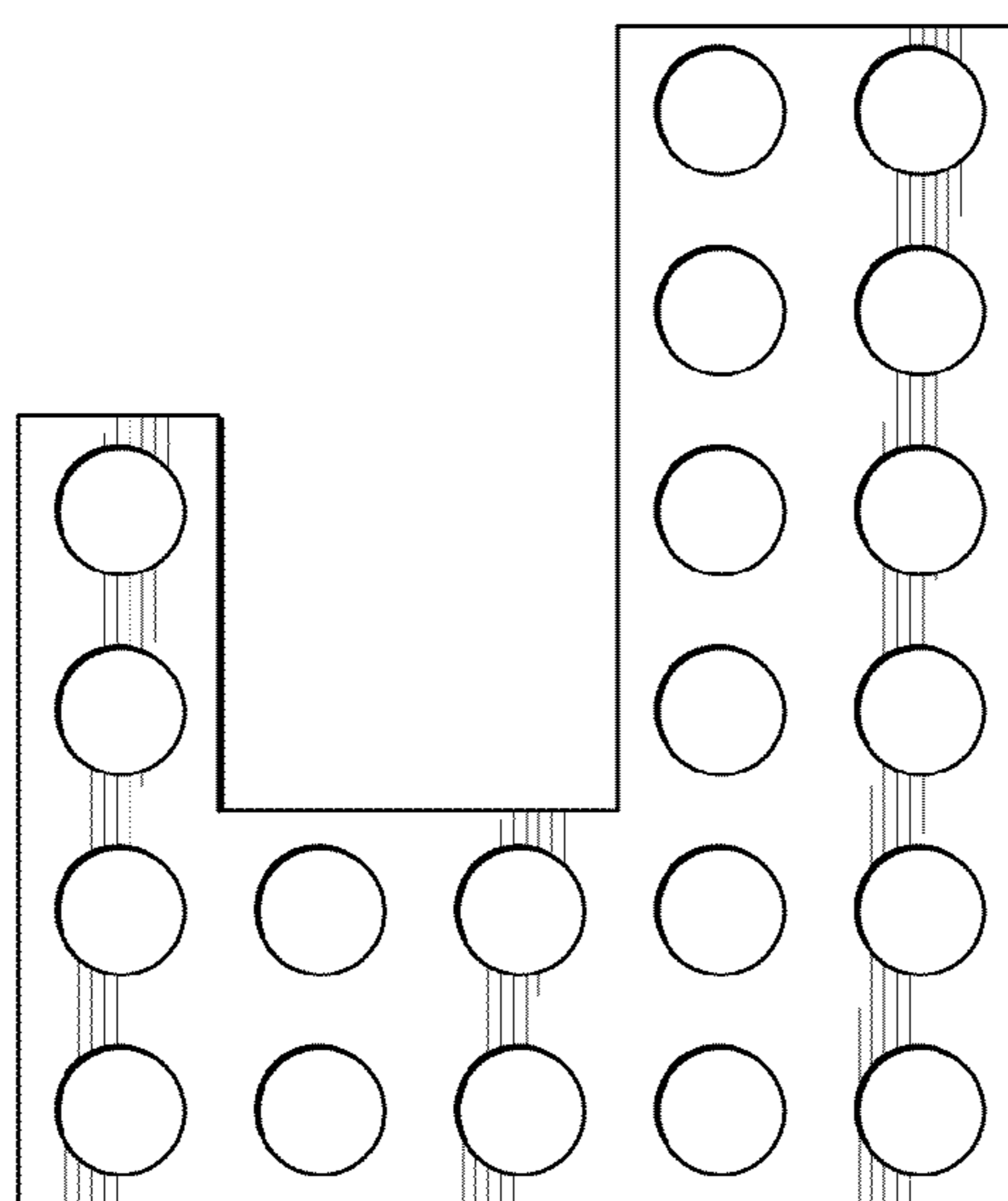


*FIG. 6*





*FIG. 7*



*FIG. 8*