



US00D713837S

(12) **United States Design Patent**
Chul Kim

(10) **Patent No.:** **US D713,837 S**

(45) **Date of Patent:** **** Sep. 23, 2014**

(54) **CRADLE FOR A MOBILE PHONE**
(71) Applicant: **Jong Chul Kim**, Suwon (KR)
(72) Inventor: **Jong Chul Kim**, Suwon (KR)

7,712,720 B1 * 5/2010 Cheng et al. 248/346.07
D654,119 S * 2/2012 Lin D21/333
D654,493 S * 2/2012 Baumann et al. D14/253
D655,692 S * 3/2012 Silverman et al. D14/217
D683,724 S * 6/2013 Wada D14/251
2014/0145051 A1* 5/2014 Gwag 248/298.1

(**) Term: **14 Years**

FOREIGN PATENT DOCUMENTS

(21) Appl. No.: **29/471,579**

CN 30-0674199 1/2013
KR 30-0650139 6/2012

(22) Filed: **Nov. 1, 2013**

* cited by examiner

(51) **LOC (10) Cl.** **14-03**

(52) **U.S. Cl.**
USPC **D14/253**

Primary Examiner — Susan Bennett Hattan

Assistant Examiner — Janice Hallmark

(58) **Field of Classification Search**
USPC D14/203.3–203.7, 209.1, 216, 217,
D14/224.1, 238.1, 243, 250–253, 302, 321,
D14/420–423, 434, 440, 447; 455/575.1;
320/114, 115; 150/165; 361/679.56,
361/679.3, 679.25; 379/426, 446, 455,
379/433.1; D13/107, 108, 144; D3/201,
D3/215, 218, 226, 269, 273, 301, 303;
D26/51, 52, 106, 107, 138

(74) *Attorney, Agent, or Firm* — The Doherty Law Firm;
Akins Doherty, Esq.

See application file for complete search history.

(57) **CLAIM**

The ornamental design for a cradle for a mobile phone, as shown and described.

(56) **References Cited**

DESCRIPTION

U.S. PATENT DOCUMENTS

5,988,577 A * 11/1999 Phillips et al. 248/231.81
D487,270 S * 3/2004 Richter D14/447
D590,835 S * 4/2009 Richter D14/447
7,513,472 B2 * 4/2009 Yang 248/231.81
D592,205 S * 5/2009 O'Brien D14/253
D592,206 S * 5/2009 O'Brien D14/253
D593,103 S * 5/2009 Richter D14/447
D603,322 S * 11/2009 Nicieja D12/415

FIG. 1 is a top view of the cradle for a mobile phone.
FIG. 2 is a rear view of the cradle for a mobile phone.
FIG. 3 is a front view of the cradle for a mobile phone, with its grabbing head bent downwards.
FIG. 4 is an isometric view of the cradle for a mobile phone.
FIG. 5 is a side view of the cradle for a mobile phone; and,
FIG. 6 is a bottom view of the cradle for a mobile phone.
The broken lines in the drawing depict environmental subject matter only and form no part of the claimed design.
This cradle for holding a mobile phone simplifies the process of placing a mobile phone in a cradle. This allows the user to easily place the phone in the cradle using one hand.

1 Claim, 6 Drawing Sheets

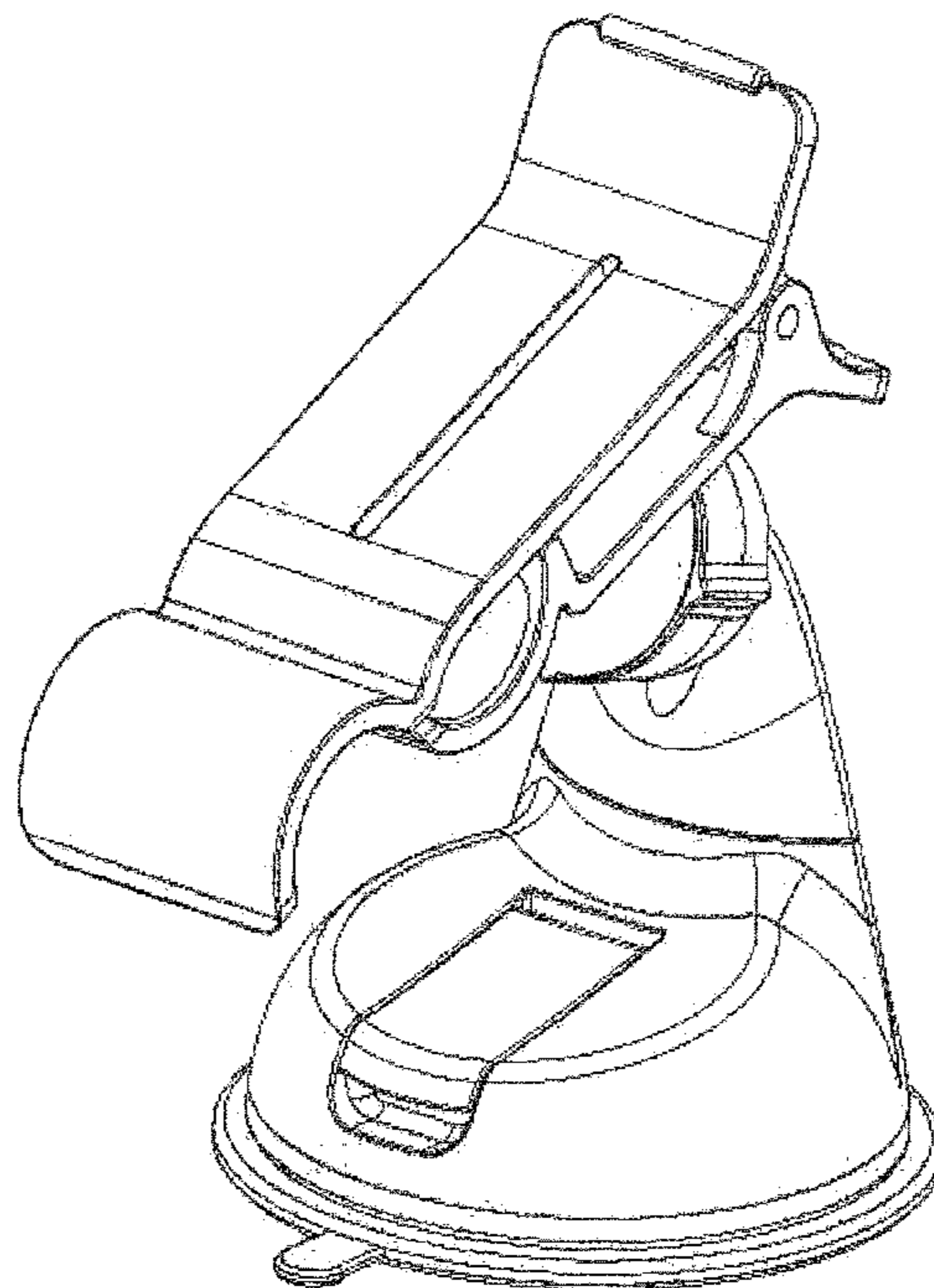
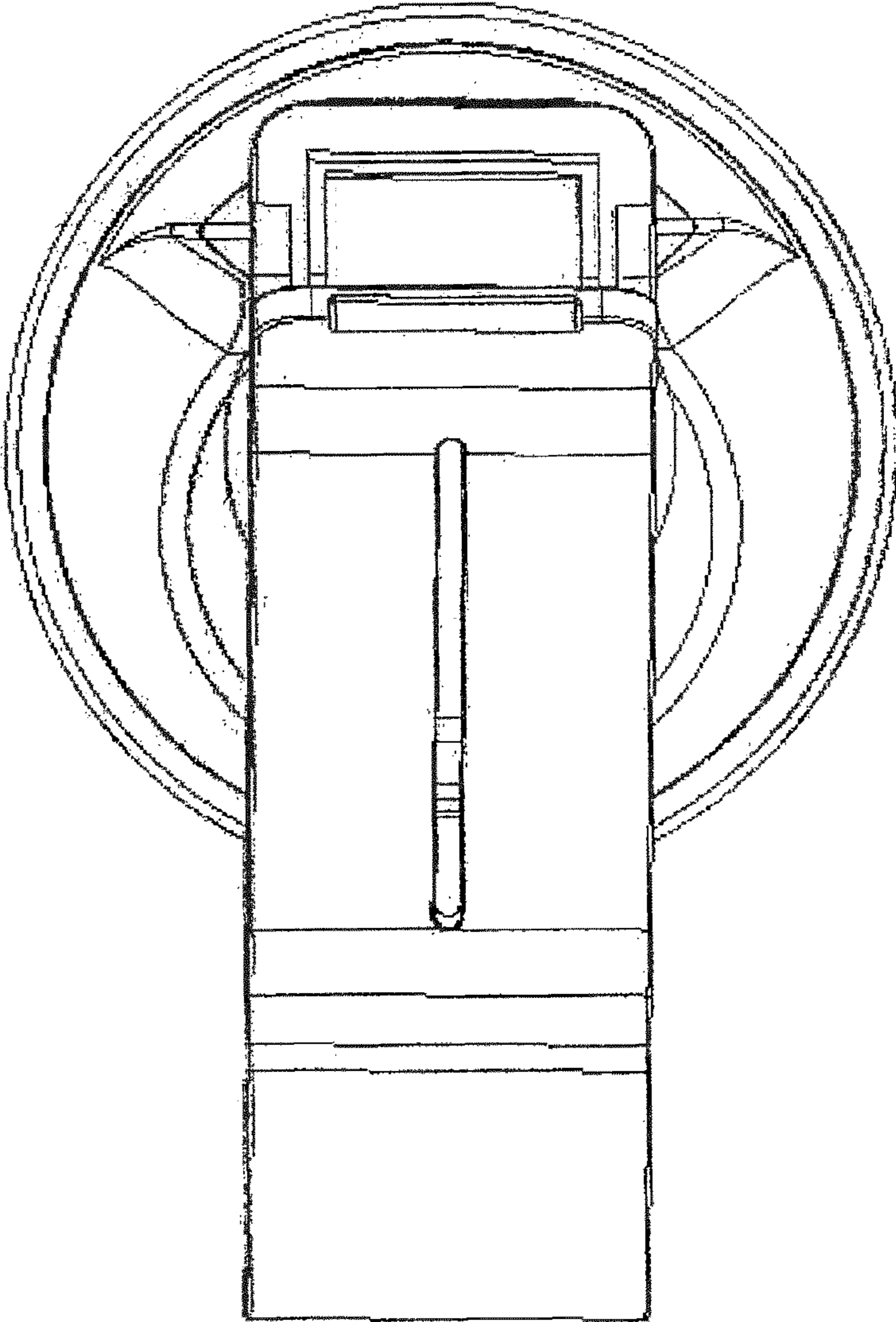


FIG.1



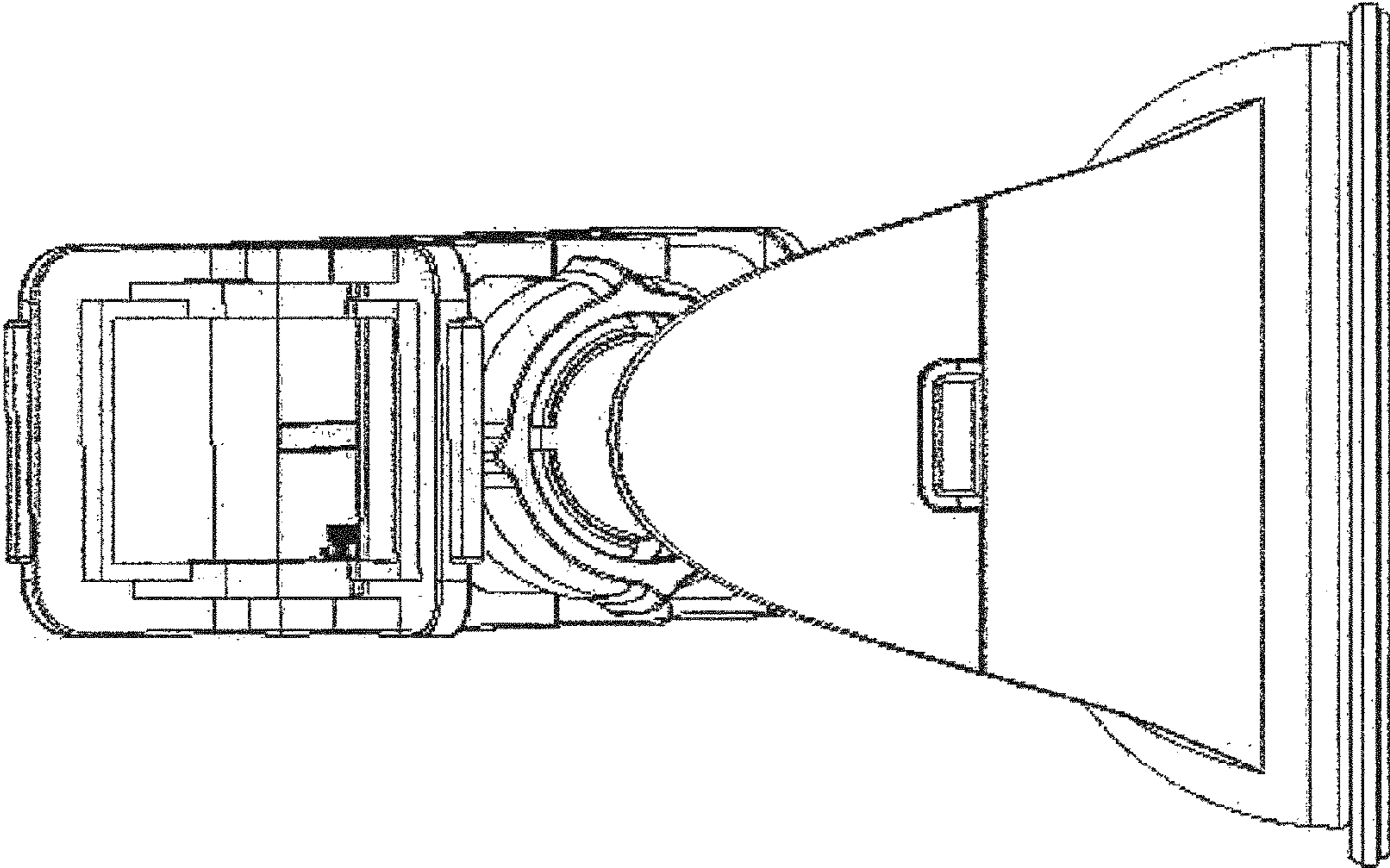


FIG. 2

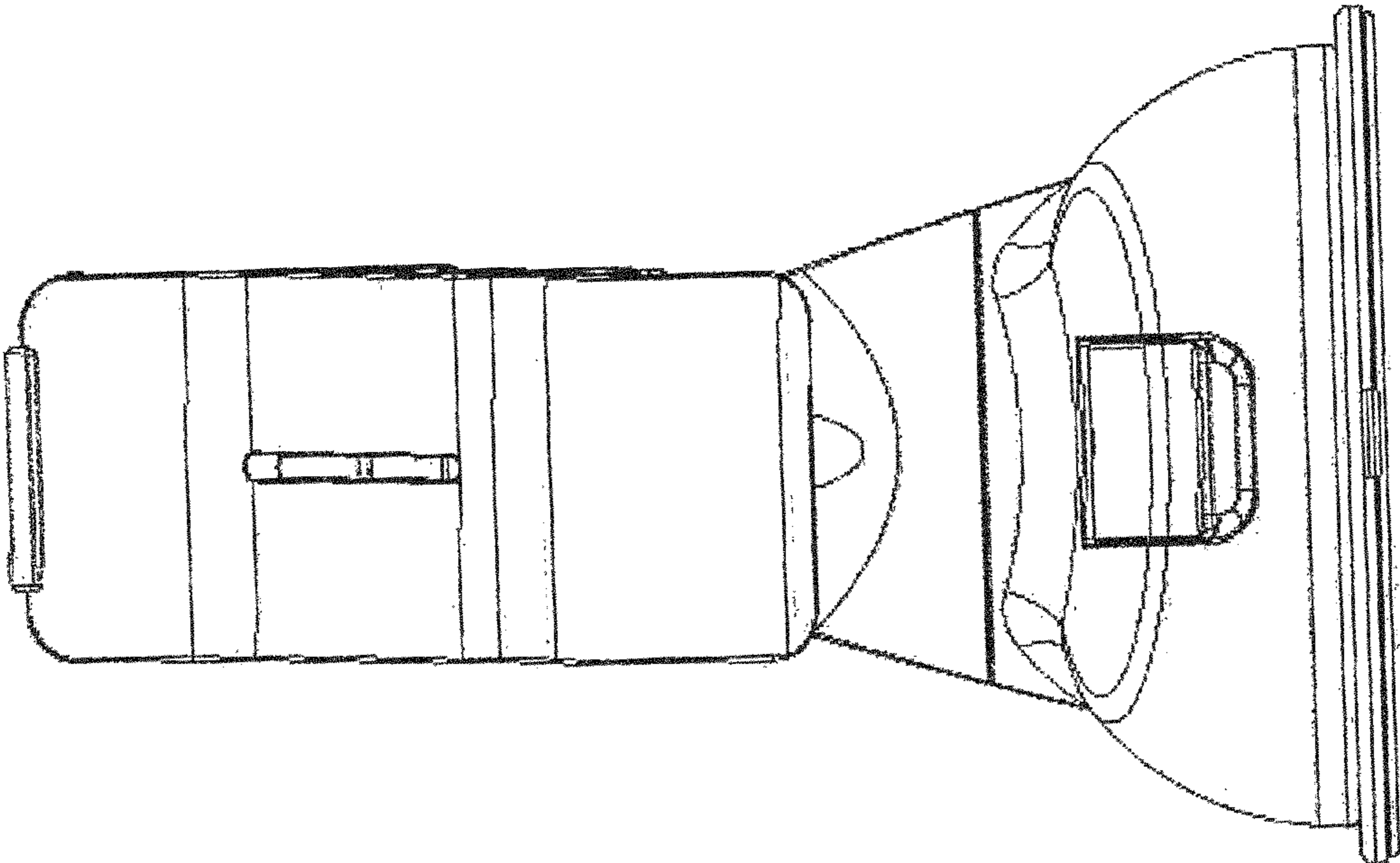


FIG. 3

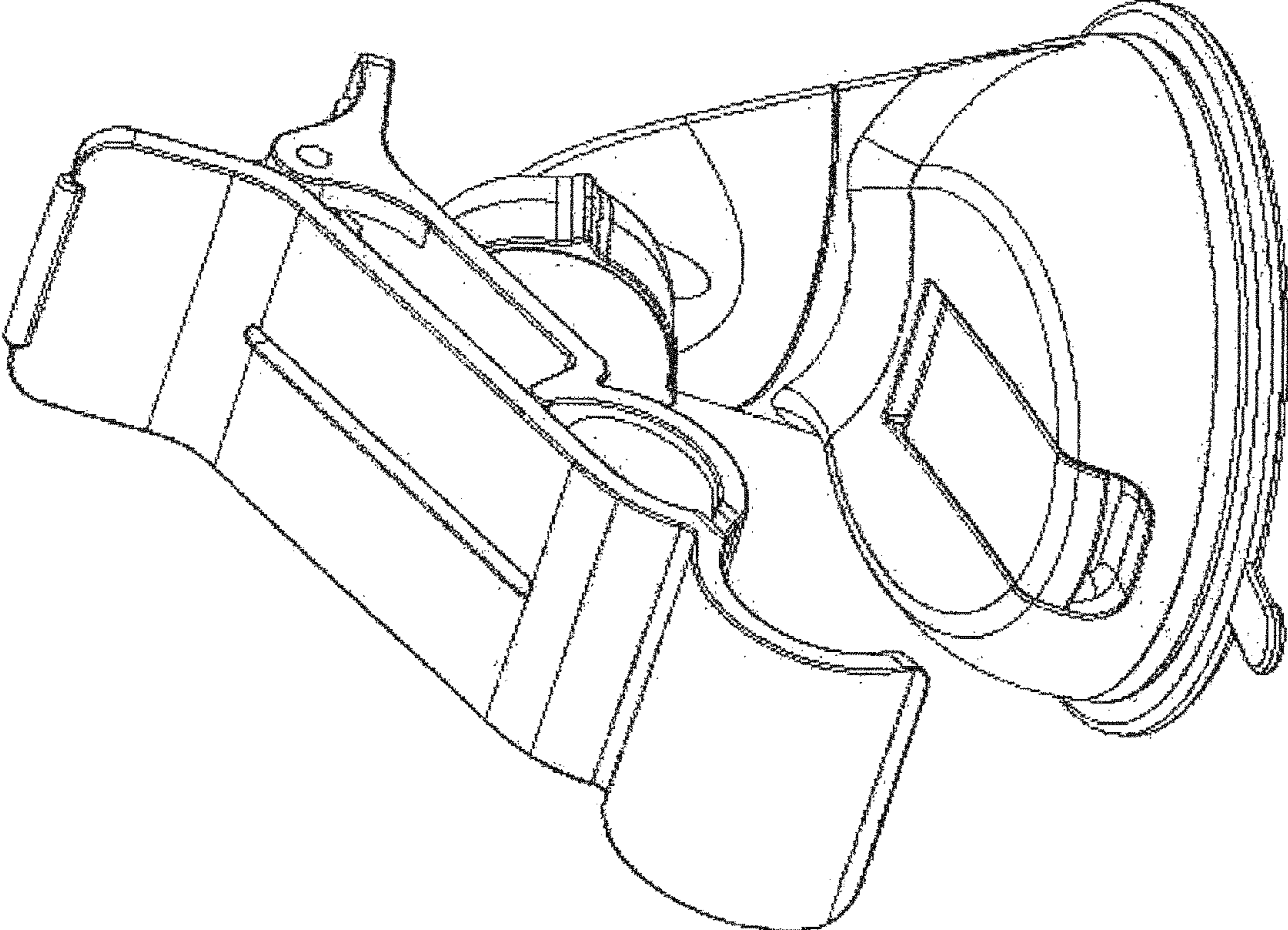


FIG. 4

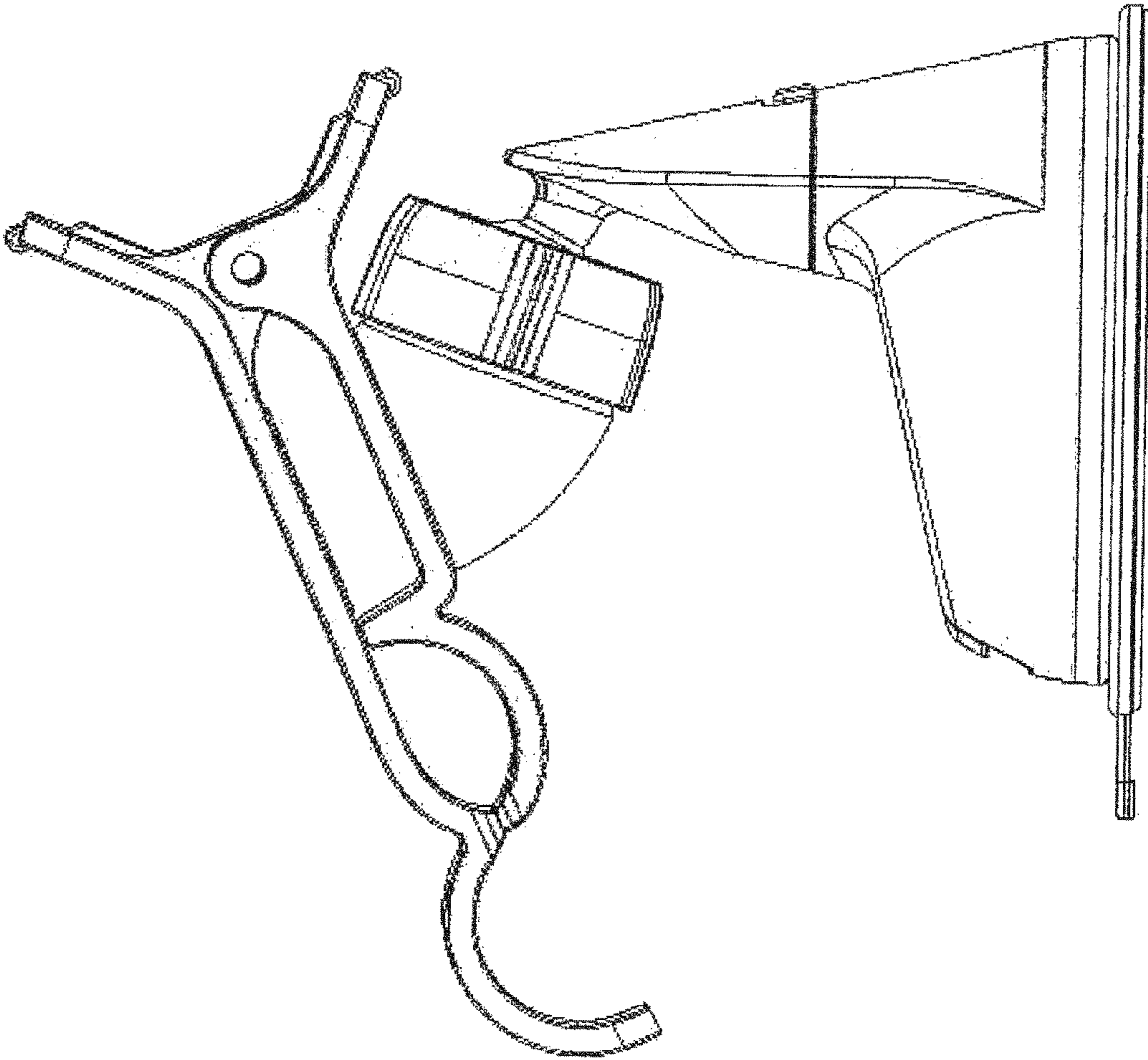


FIG. 5

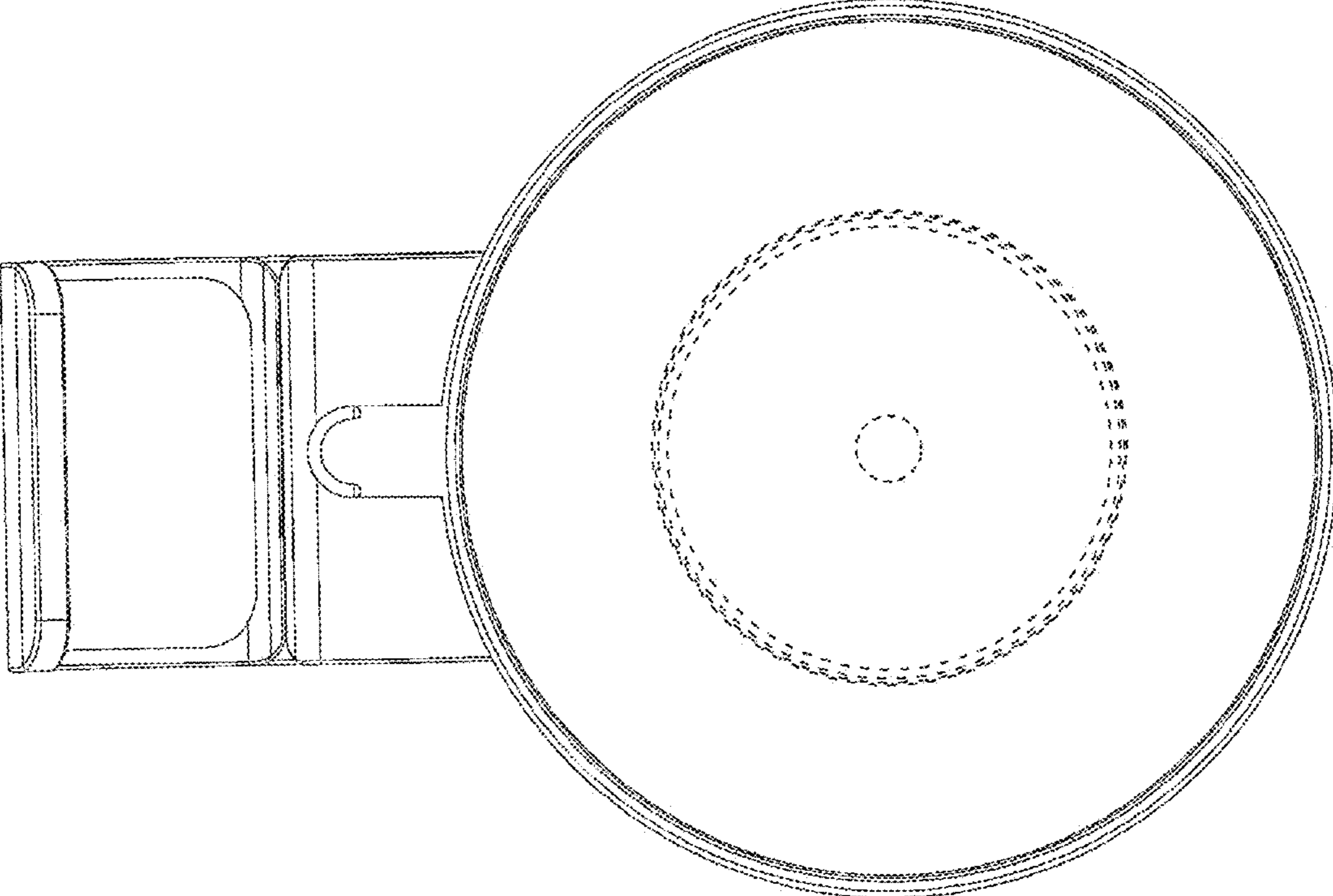


FIG. 6