



US00D713836S

(12) **United States Design Patent**  
**Cheon**

(10) **Patent No.:** **US D713,836 S**

(45) **Date of Patent:** **\*\* Sep. 23, 2014**

(54) **MOBILE PHONE HOLDER**

(71) Applicant: **Megacreate Co., Ltd.**, Daejeon (KR)

(72) Inventor: **An Cheon**, Daejeon (KR)

(73) Assignee: **Megacreate Co., Ltd.**, Daejeon (KR)

(\*\*) Term: **14 Years**

(21) Appl. No.: **29/470,985**

(22) Filed: **Oct. 26, 2013**

(51) **LOC (10) Cl.** ..... **14-03**

(52) **U.S. Cl.**  
USPC ..... **D14/253**

(58) **Field of Classification Search**  
USPC ..... D14/208, 209.1, 217, 238.1, 243,  
D14/250–253, 434, 440, 447, 496,  
D14/203.3–203.7, 248, 240, 341–347;  
D3/201, 215, 218, 226, 269, 273, 301,  
D3/303; D19/90; D6/553; 455/575.1,  
455/575.8; 206/305, 320; 320/108, 115;  
429/96; 220/4.02; 150/165;  
361/679.56, 679.3, 679.25, 816;  
379/426, 446, 455, 433.1; 248/309.1,  
248/371, 176.3, 668; 224/411; D12/223,  
D12/407

See application file for complete search history.

(56) **References Cited**

U.S. PATENT DOCUMENTS

D530,273 S \* 10/2006 Solland ..... D13/108

D530,319 S \* 10/2006 Sarasjoki et al. .... D14/253  
D549,707 S \* 8/2007 Depay ..... D14/434  
D623,641 S \* 9/2010 Harden et al. .... D14/253  
D636,395 S \* 4/2011 Anderson et al. .... D14/434  
D640,249 S \* 6/2011 Choi ..... D14/253  
D640,708 S \* 6/2011 Lee ..... D14/447  
D645,820 S \* 9/2011 Lin ..... D13/118  
D680,110 S \* 4/2013 Rossiter et al. .... D14/341  
D680,543 S \* 4/2013 Rossiter et al. .... D14/434  
D689,476 S \* 9/2013 Alexander ..... D14/252  
D691,125 S \* 10/2013 Cheon et al. .... D14/253

\* cited by examiner

*Primary Examiner* — Susan Bennett Hattan

*Assistant Examiner* — Janice Hallmark

(74) *Attorney, Agent, or Firm* — The PL Law Group, PLLC

(57) **CLAIM**

The ornamental design for a mobile phone holder, as shown and described.

**DESCRIPTION**

FIG. 1 is a perspective view of a mobile phone holder, showing my new design;  
FIG. 2 is a front view thereof;  
FIG. 3 is a rear view thereof;  
FIG. 4 is a left side view thereof;  
FIG. 5 is a right side view thereof;  
FIG. 6 is a top plan view thereof; and,  
FIG. 7 is a bottom plan view thereof.  
The broken lines in the drawings depict environmental subject matter only and form no part of the claimed design.

**1 Claim, 7 Drawing Sheets**

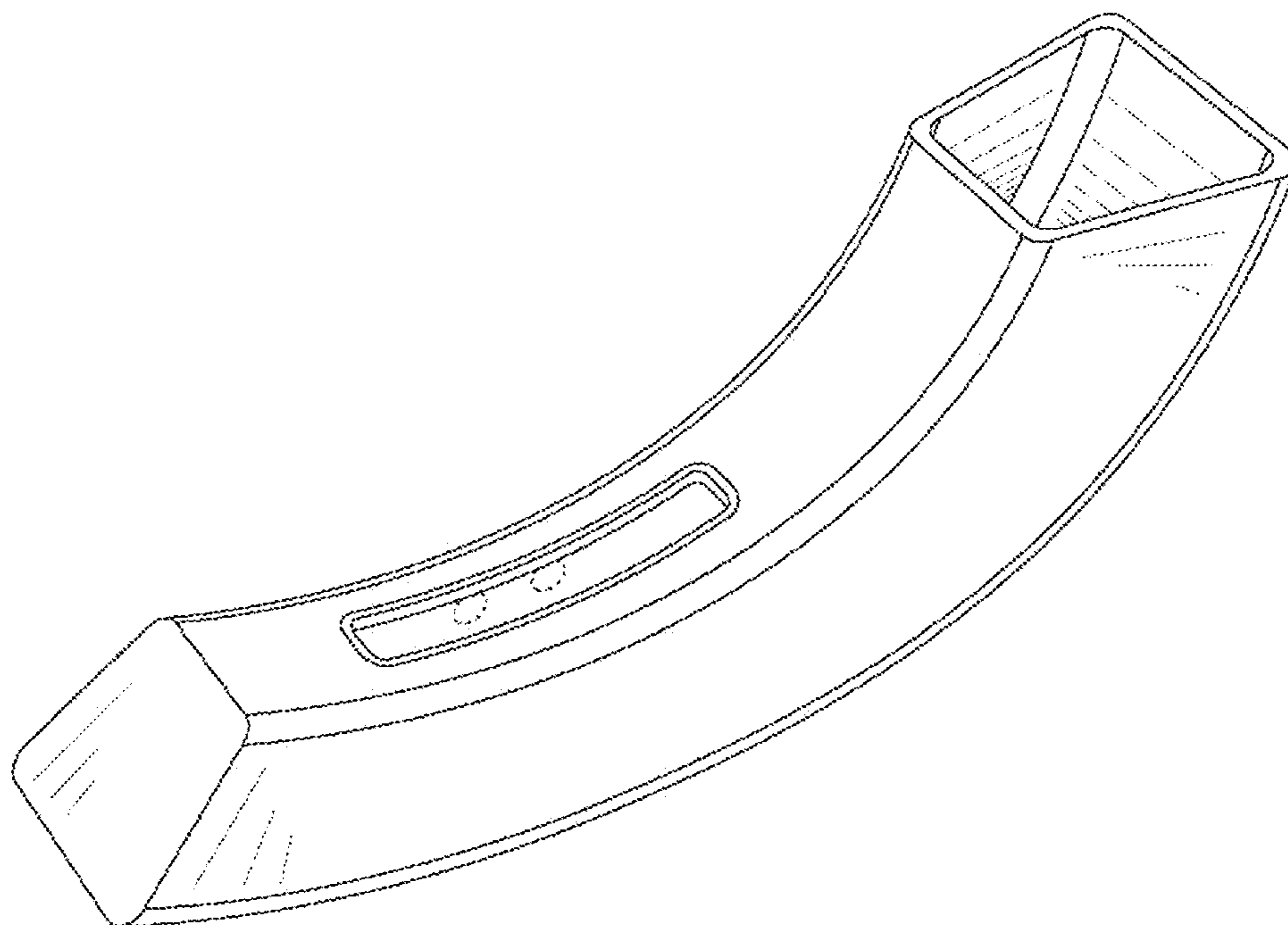


FIG. 1

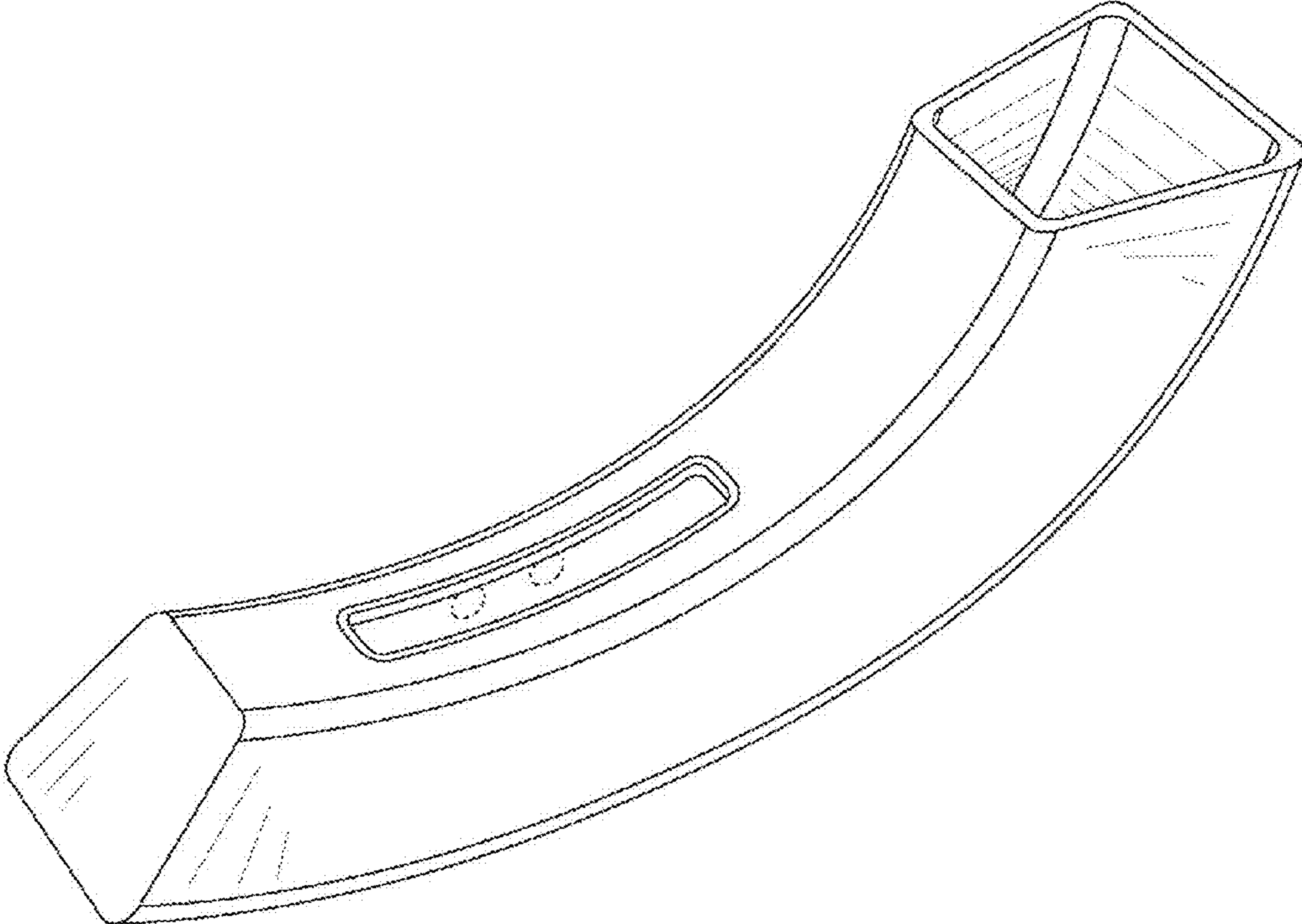


FIG. 2

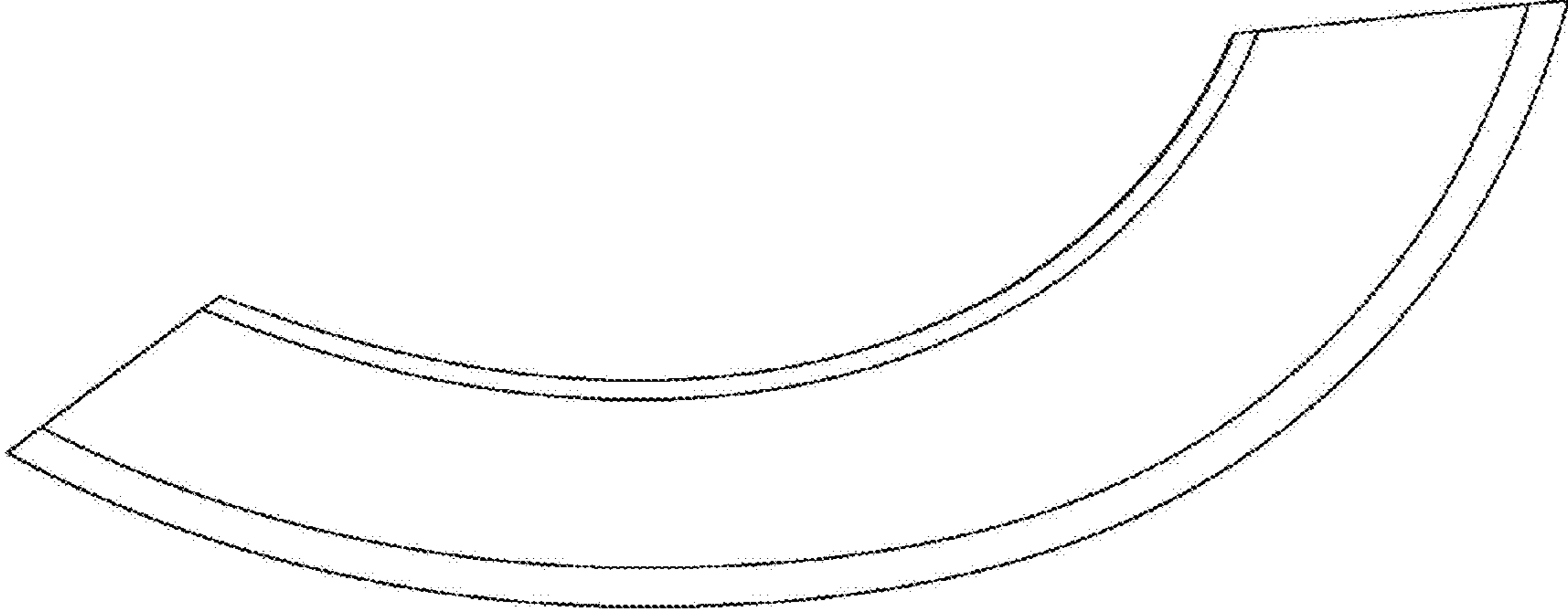


FIG. 3

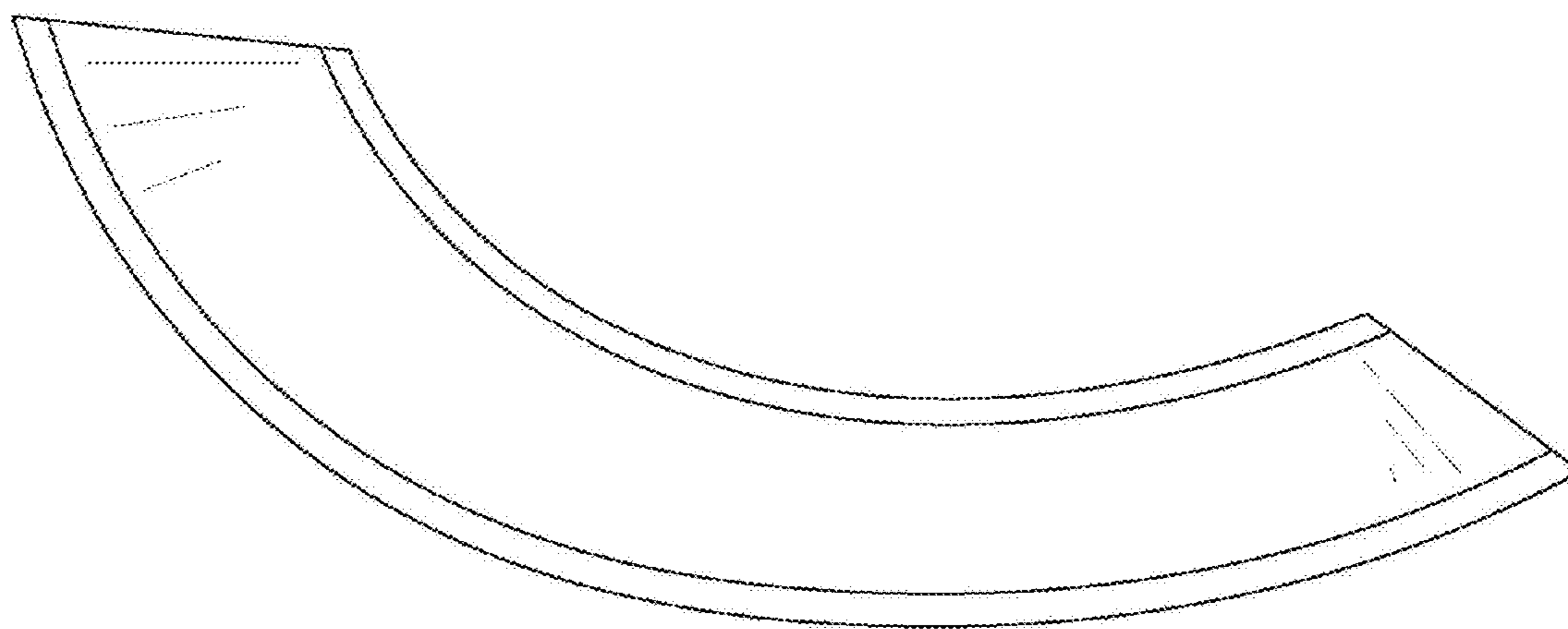


FIG. 4

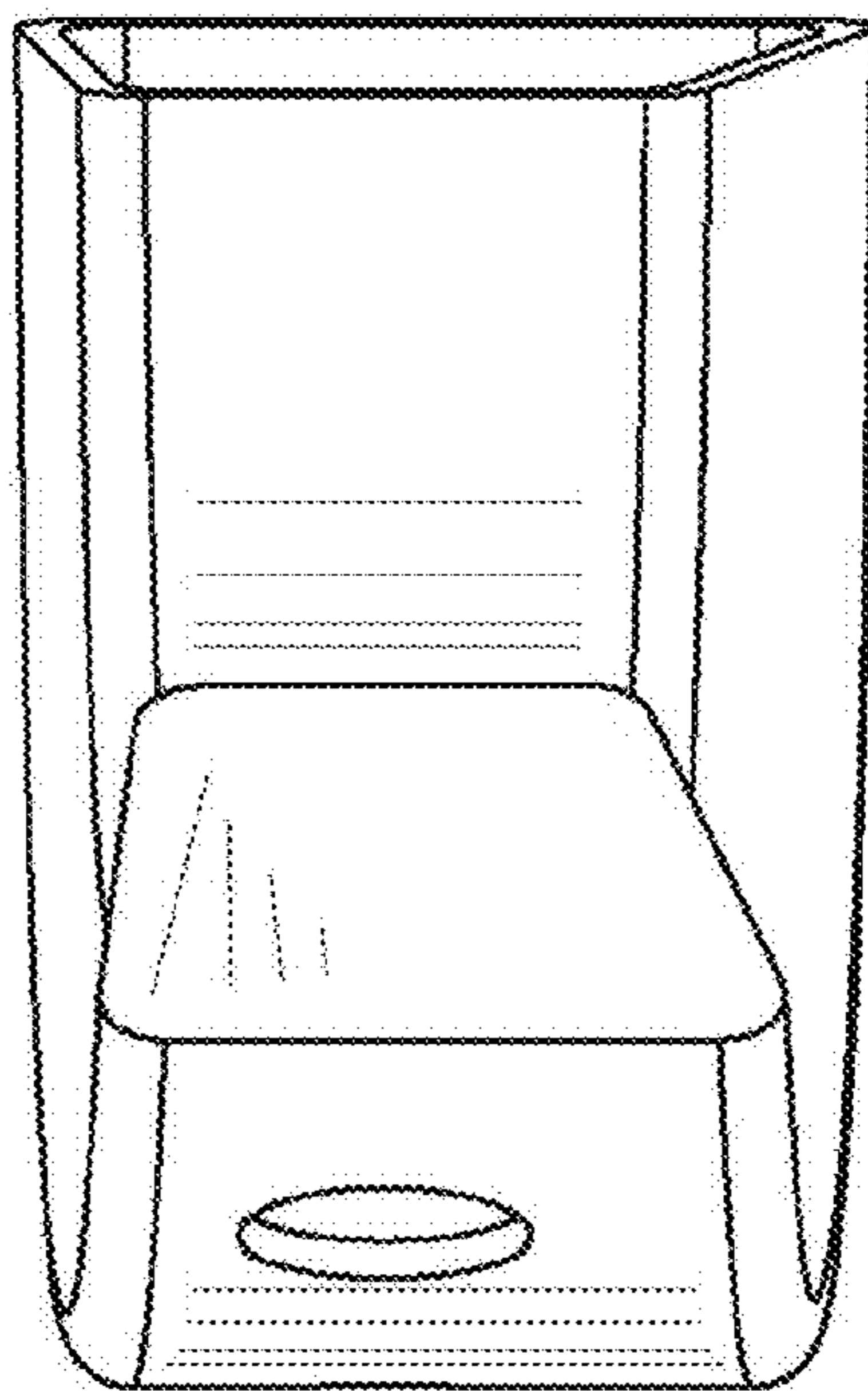


FIG. 5

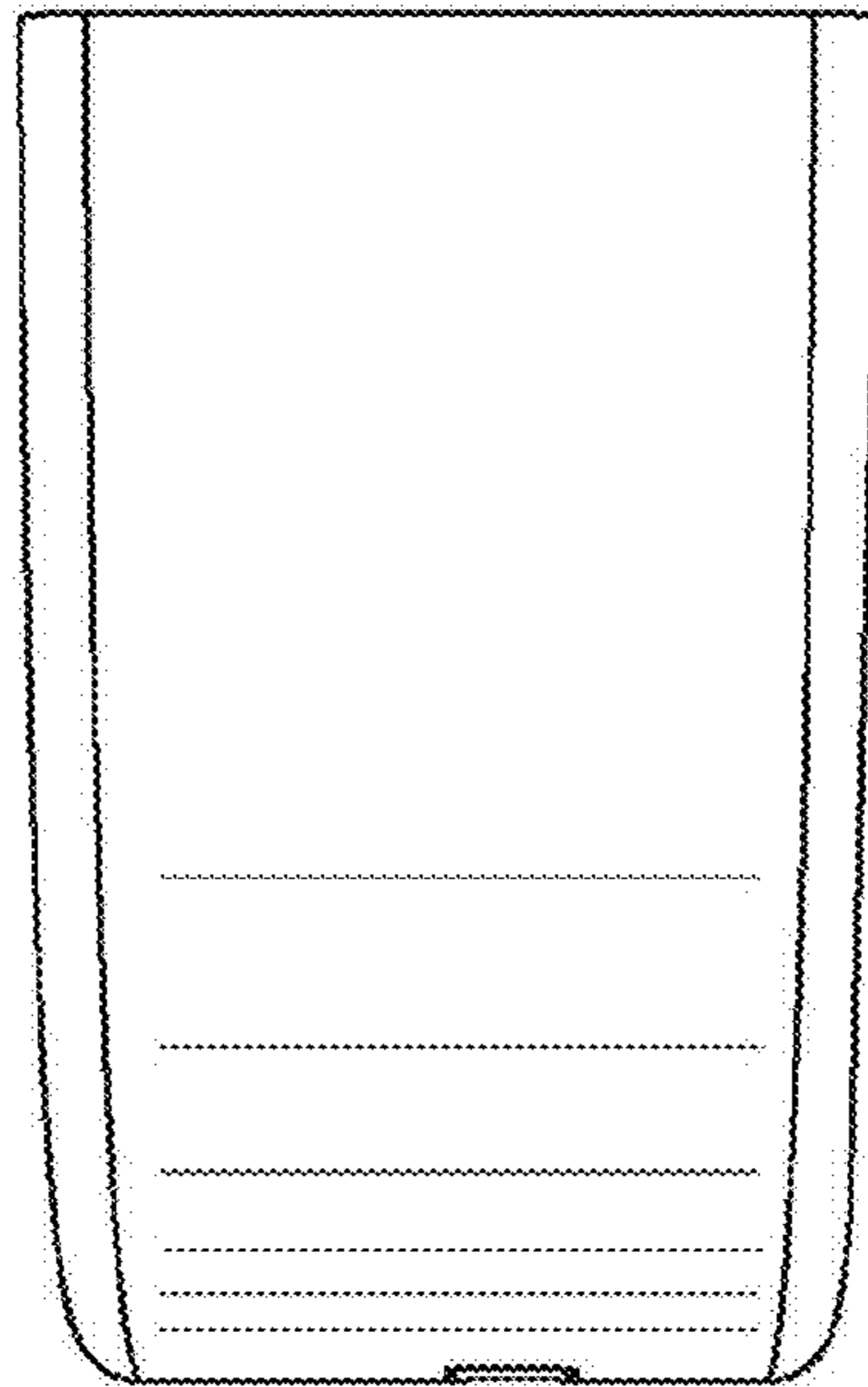


FIG. 6

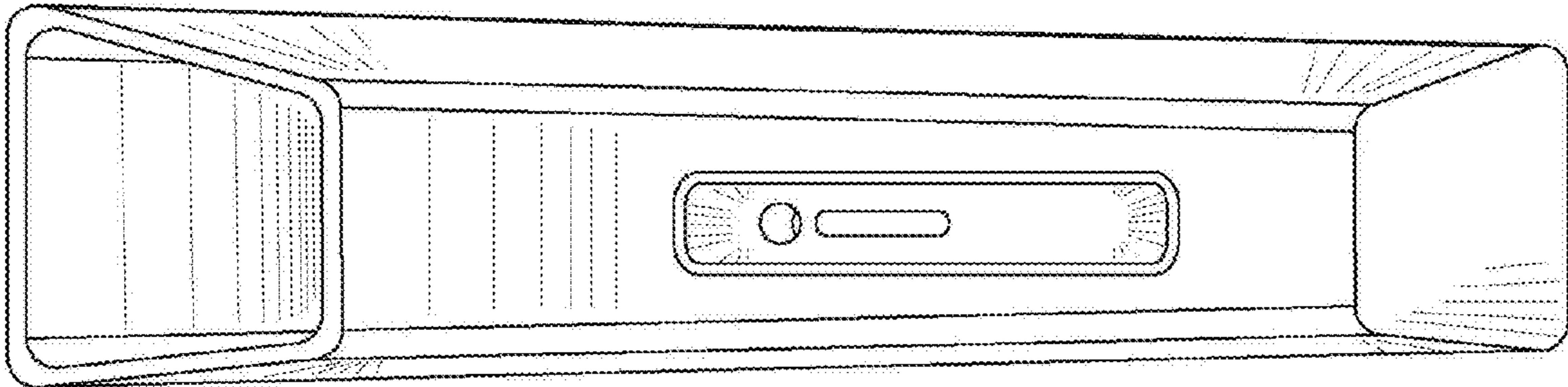




FIG. 7

