



US00D713835S

(12) **United States Design Patent**
Sirichai

(10) **Patent No.:** **US D713,835 S**
(45) **Date of Patent:** **** Sep. 23, 2014**

(54) **CRADLE FOR A PORTABLE ELECTRONIC
DEVICE WITH ARMBAND ATTACHMENT**

(71) Applicant: **World Richman Manufacturing
Corporation**, Elgin, IL (US)

(72) Inventor: **Saharut Sirichai**, Bangkok (TH)

(73) Assignee: **World Richman Manufacturing
Corporation**, Elgin, IL (US)

(**) Term: **14 Years**

(21) Appl. No.: **29/455,401**

(22) Filed: **May 20, 2013**

(51) **LOC (10) Cl.** **14-03**

(52) **U.S. Cl.**
USPC **D14/253; D3/226**

(58) **Field of Classification Search**
USPC D14/217, 238.1, 243, 250–253, 434,
D14/440, 447, 496, 203.3–203.7, 248, 240,
D14/341–347; D3/201, 215, 218, 226, 269,
D3/273, 301, 303; D19/90; D6/553;
455/575.1, 575.8; 206/305, 320;
320/108, 115; 429/96; 220/4.02;
150/165; 361/679.56, 679.3, 679.25,
361/816; 379/426, 446, 455, 433.1;
248/371, 176.3, 668

See application file for complete search history.

(56) **References Cited**

U.S. PATENT DOCUMENTS

4,432,447	A	2/1984	Tanaka	
5,697,071	A	12/1997	Fan	
D404,908	S *	2/1999	Lollis	D3/215
D440,760	S *	4/2001	Joseph et al.	D3/218
6,561,702	B1	5/2003	Yik	
6,616,111	B1	9/2003	White	
D541,044	S *	4/2007	Wagner, II	D3/226
D576,792	S *	9/2008	Wagner, II	D3/226

(Continued)

FOREIGN PATENT DOCUMENTS

AU 2012220528 A1 4/2013
DE 20 2005 008 646 U1 11/2005

Primary Examiner — Susan Bennett Hattan

Assistant Examiner — Janice Hallmark

(74) *Attorney, Agent, or Firm* — Brie A. Crawford

(57) **CLAIM**

The ornamental design for a cradle for a portable electronic device with armband attachment, as shown and described.

DESCRIPTION

FIG. 1 is a front plan view of the cradle for a portable electronic device with armband attachment shown with the armband removed for clarity of disclosure;

FIG. 2 is a rear plan view thereof;

FIG. 3 is a front perspective view thereof;

FIG. 4 is a rear perspective view thereof;

FIG. 5 is a side plan view thereof;

FIG. 6 is a side plan view thereof;

FIG. 7 is a top plan view thereof;

FIG. 8 is a bottom plan view thereof;

FIG. 9 is a front plan view of the cradle for a portable electronic device with armband attachment;

FIG. 10 is a rear plan view thereof;

FIG. 11 is a side plan view thereof;

FIG. 12 is a side plan view thereof;

FIG. 13 is a top plan view thereof;

FIG. 14 is a bottom plan view thereof;

FIG. 15 is a front perspective view thereof;

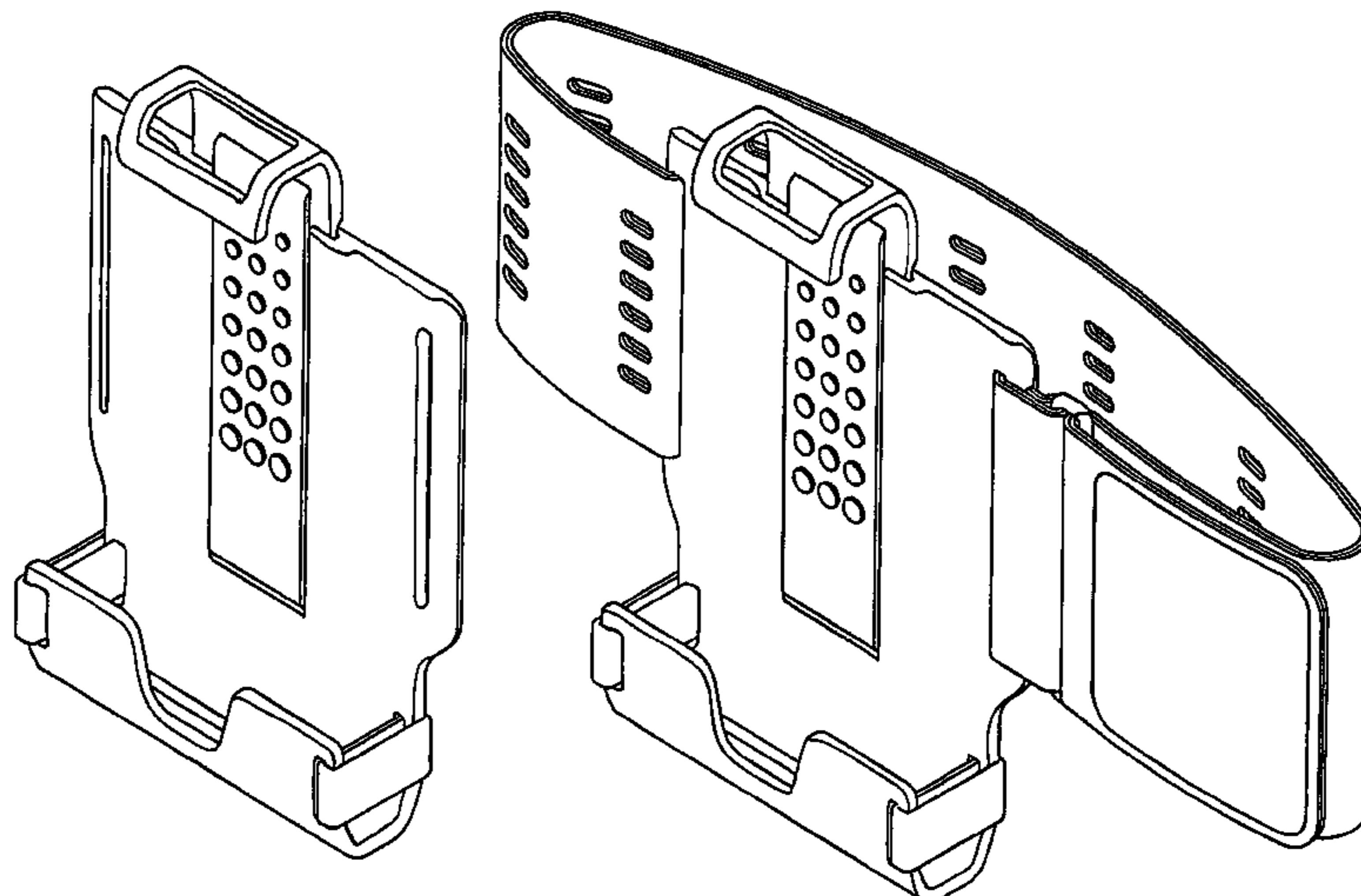
FIG. 16 is a rear perspective view thereof;

FIG. 17 is a front perspective view of FIG. 9 shown in an environment of use with a portable electronic device inserted into the cradle; and,

FIG. 18 is a front perspective view of FIG. 1 shown in an environment of use with a portable electronic device inserted into the cradle.

The broken lines in the drawings depict environmental subject matter only and form no part of the claimed design.

1 Claim, 9 Drawing Sheets



(56)

References Cited

U.S. PATENT DOCUMENTS

D577,358 S *	9/2008	Kettula et al.	D14/253	2010/0025444 A1	2/2010	Tipton	
D590,184 S *	4/2009	Barabas et al.	D6/466	2010/0032462 A1*	2/2010	Cameron et al.	224/222
7,555,325 B2	6/2009	Goros		2010/0320341 A1	12/2010	Baumann	
D620,706 S *	8/2010	Wagner, II	D3/226	2011/0000945 A1	1/2011	Mongan	
D622,058 S *	8/2010	Wagner, II	D3/226	2011/0031290 A1	2/2011	Remo	
D629,193 S *	12/2010	Liu	D3/218	2011/0247959 A1	10/2011	Nelson	
7,886,903 B1	2/2011	Wurzelbacher, Jr.		2012/0018595 A1	1/2012	Berry	
8,016,107 B2	9/2011	Emsky		2012/0025035 A1	2/2012	Huang	
8,074,951 B2	12/2011	Carnevali		2012/0025036 A1	2/2012	Huang	
8,204,561 B2	6/2012	Mongan		2012/0043247 A1	2/2012	Westrup	
D676,371 S *	2/2013	Son	D12/415	2012/0074184 A1	3/2012	Morgan	
D700,774 S *	3/2014	Morgan et al.	D3/226	2012/0104059 A1	5/2012	Yen	
2009/0061958 A1	3/2009	Osgood		2012/0160773 A1	6/2012	Strohmaier et al.	
2009/0218454 A1	9/2009	Stanley		2012/0175474 A1	7/2012	Barnard	
2009/0219677 A1	9/2009	Mori		2012/0205503 A1	8/2012	Kobal	
2009/0230161 A1	9/2009	Emsky		2012/0257345 A1	10/2012	Hulet	
				2012/0286118 A1	11/2012	Richards	
				2013/0032617 A1	2/2013	Adelman	
				2013/0092811 A1	4/2013	Funk	

* cited by examiner

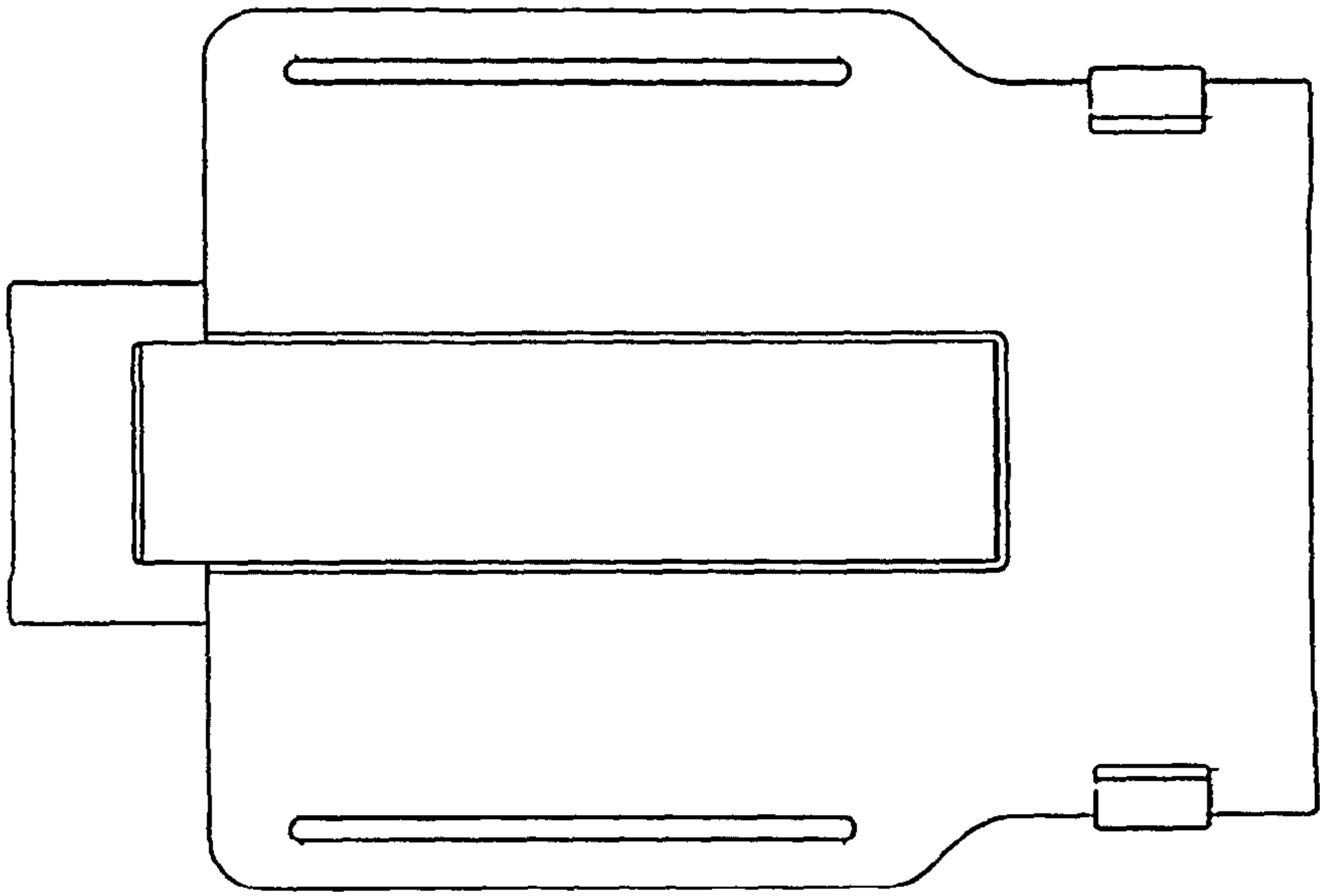


fig.2

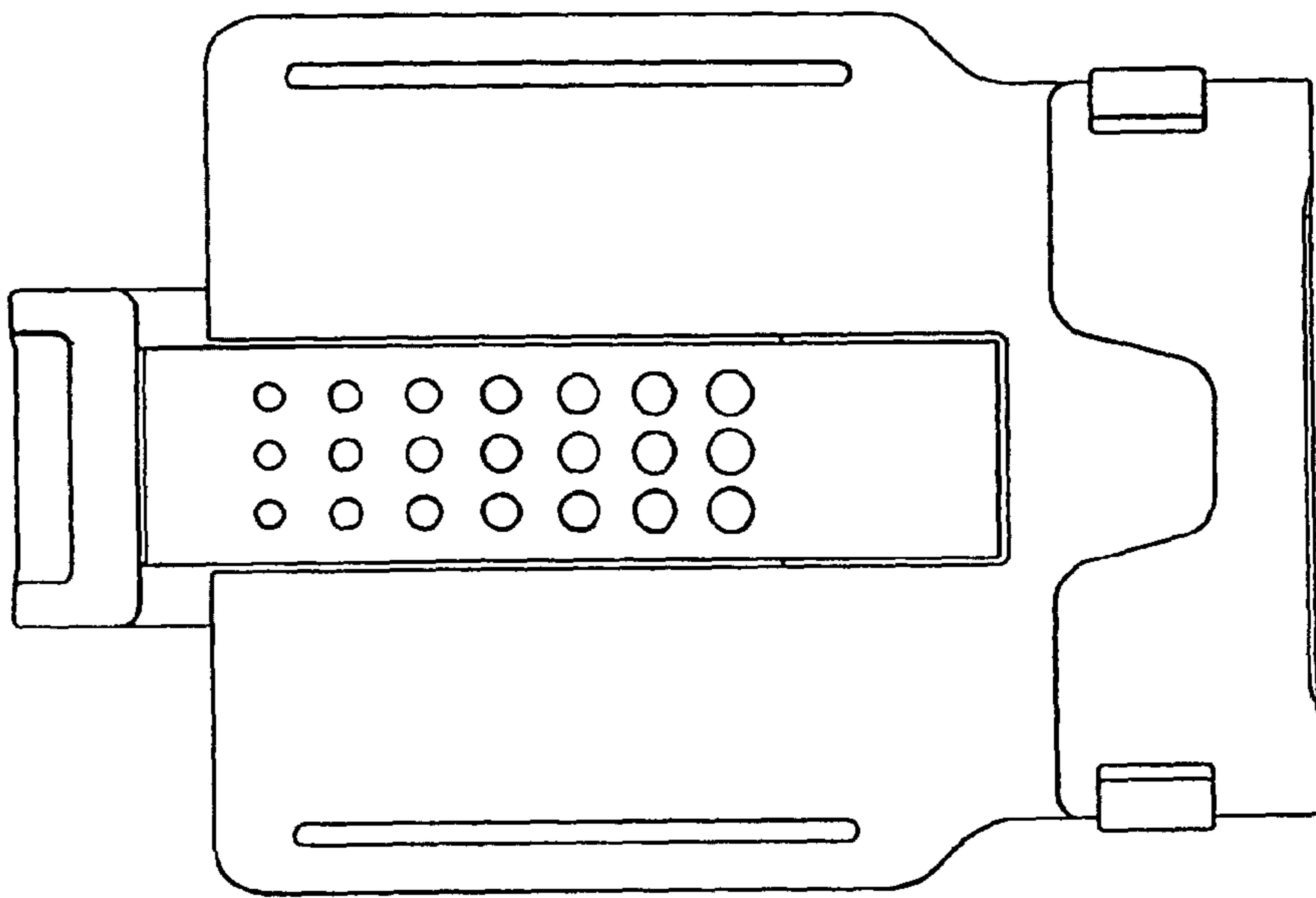


fig.1

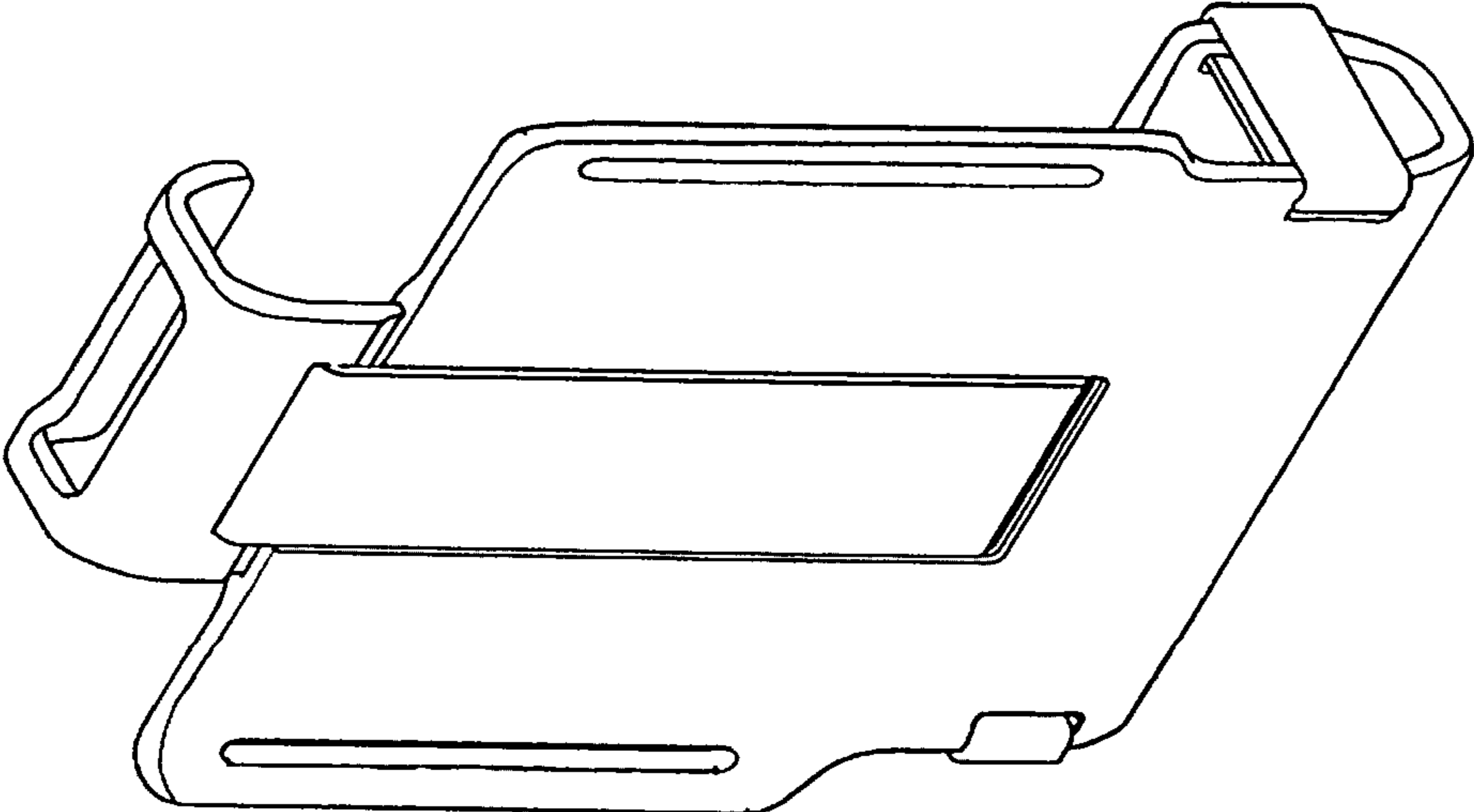


fig.4

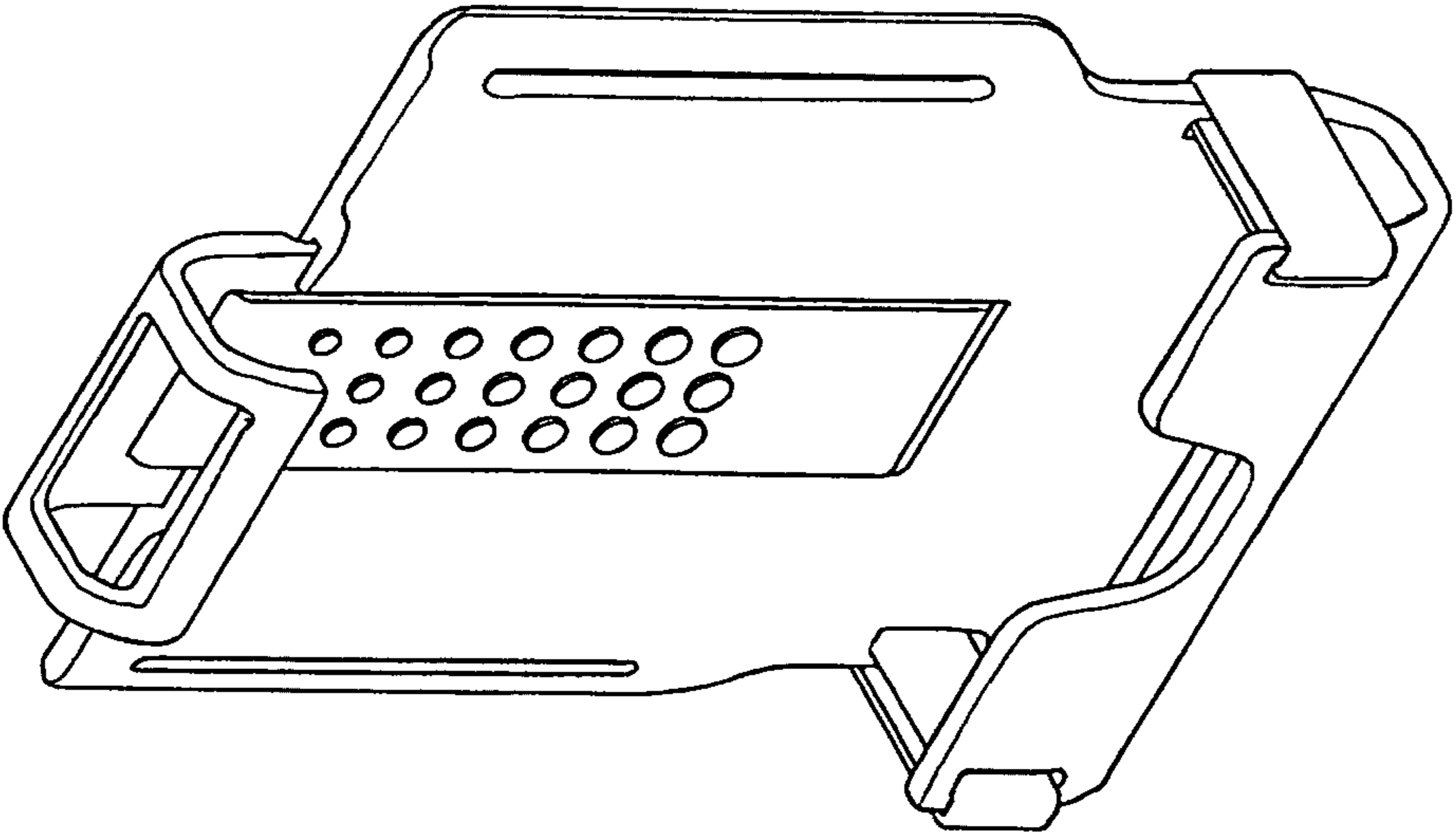


fig.3

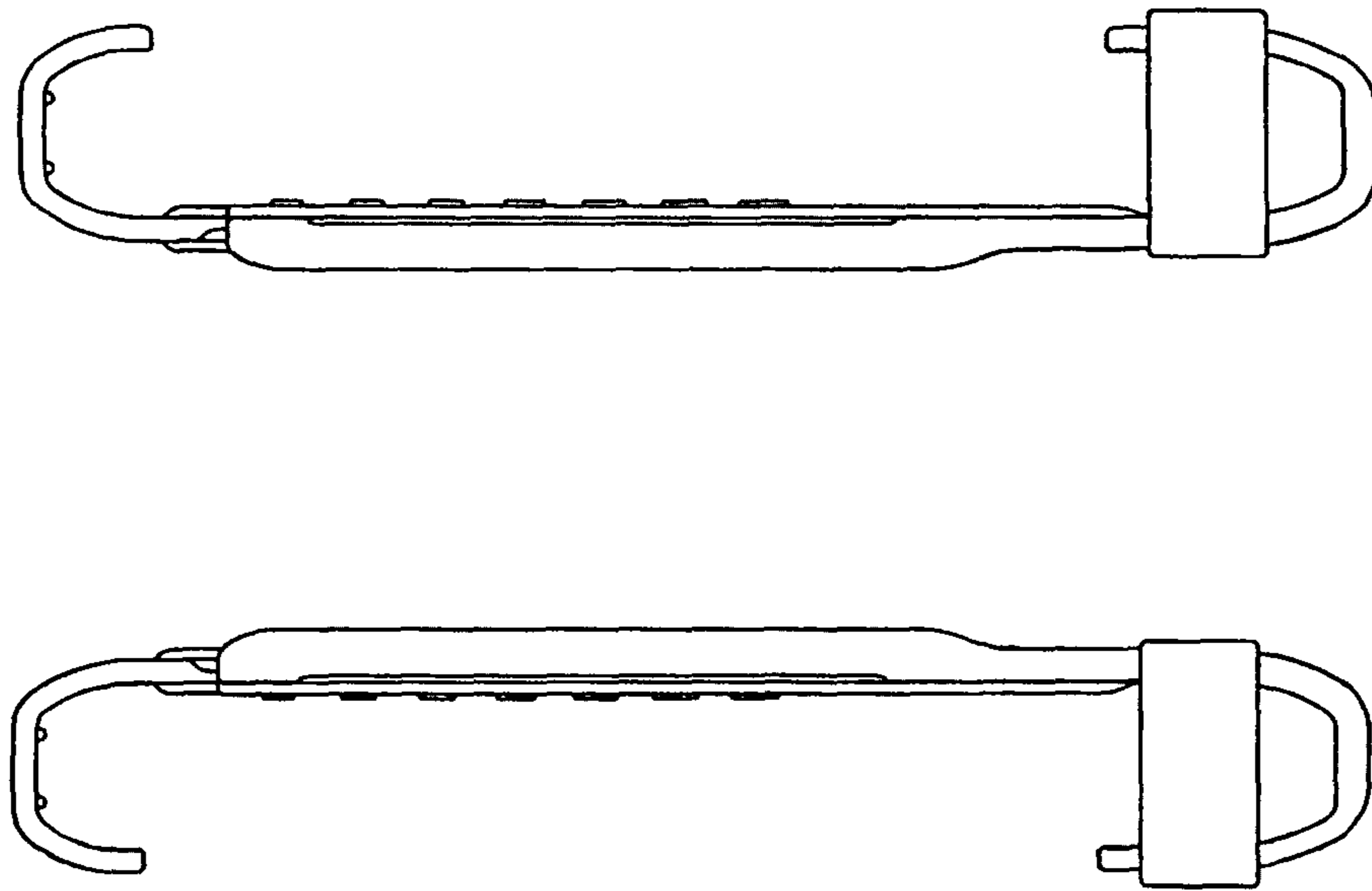


fig.5

fig.6

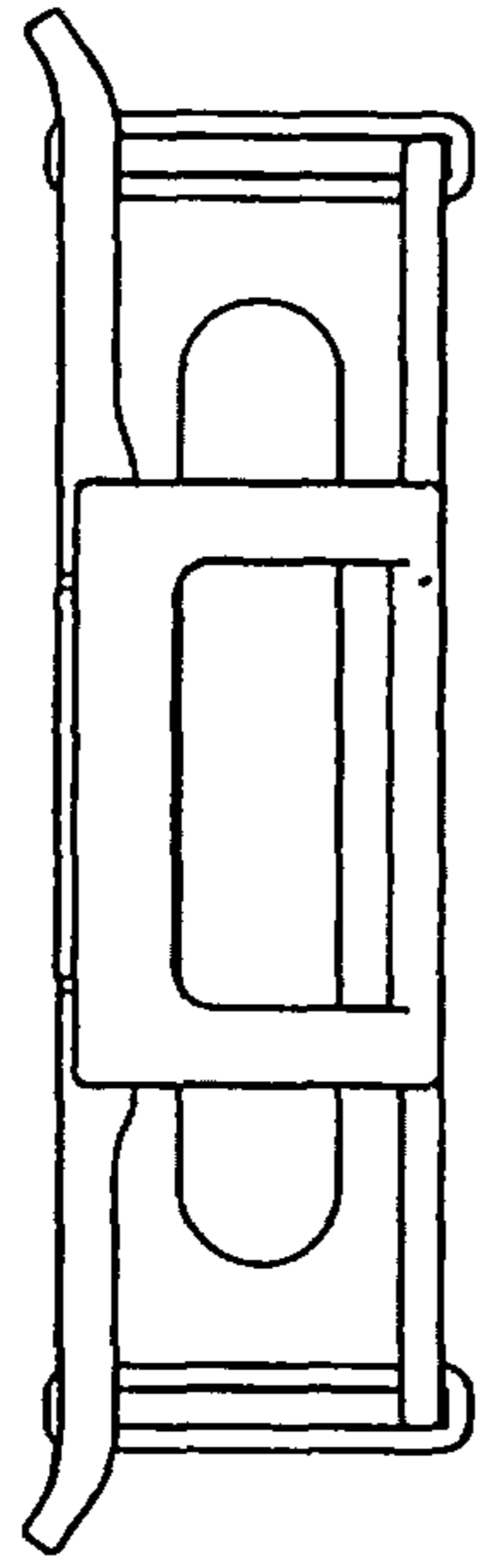


fig.7

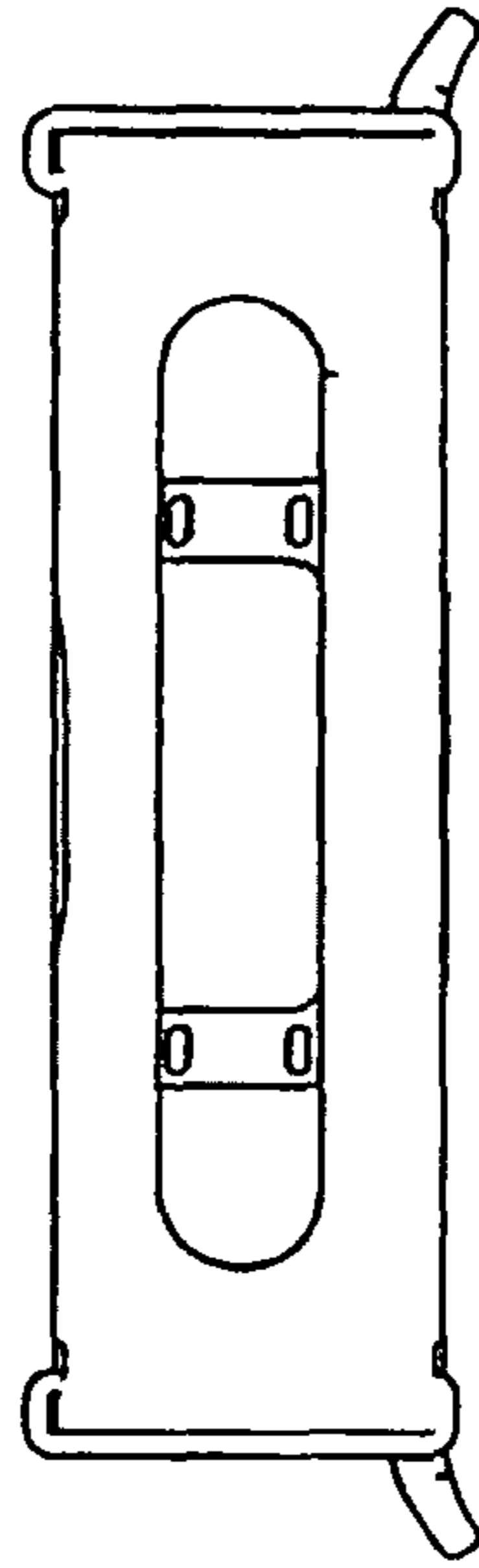


fig.8

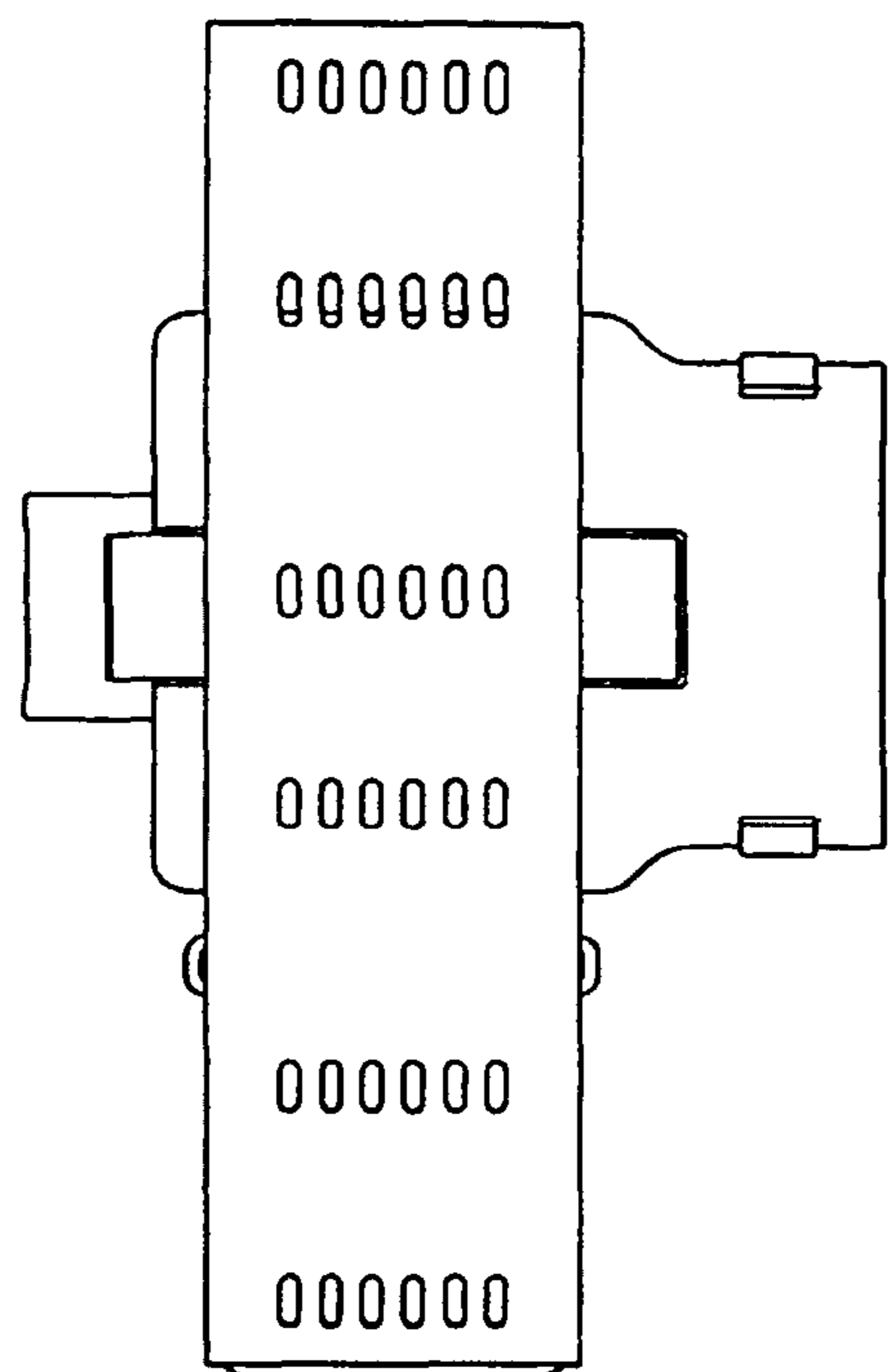


fig.10

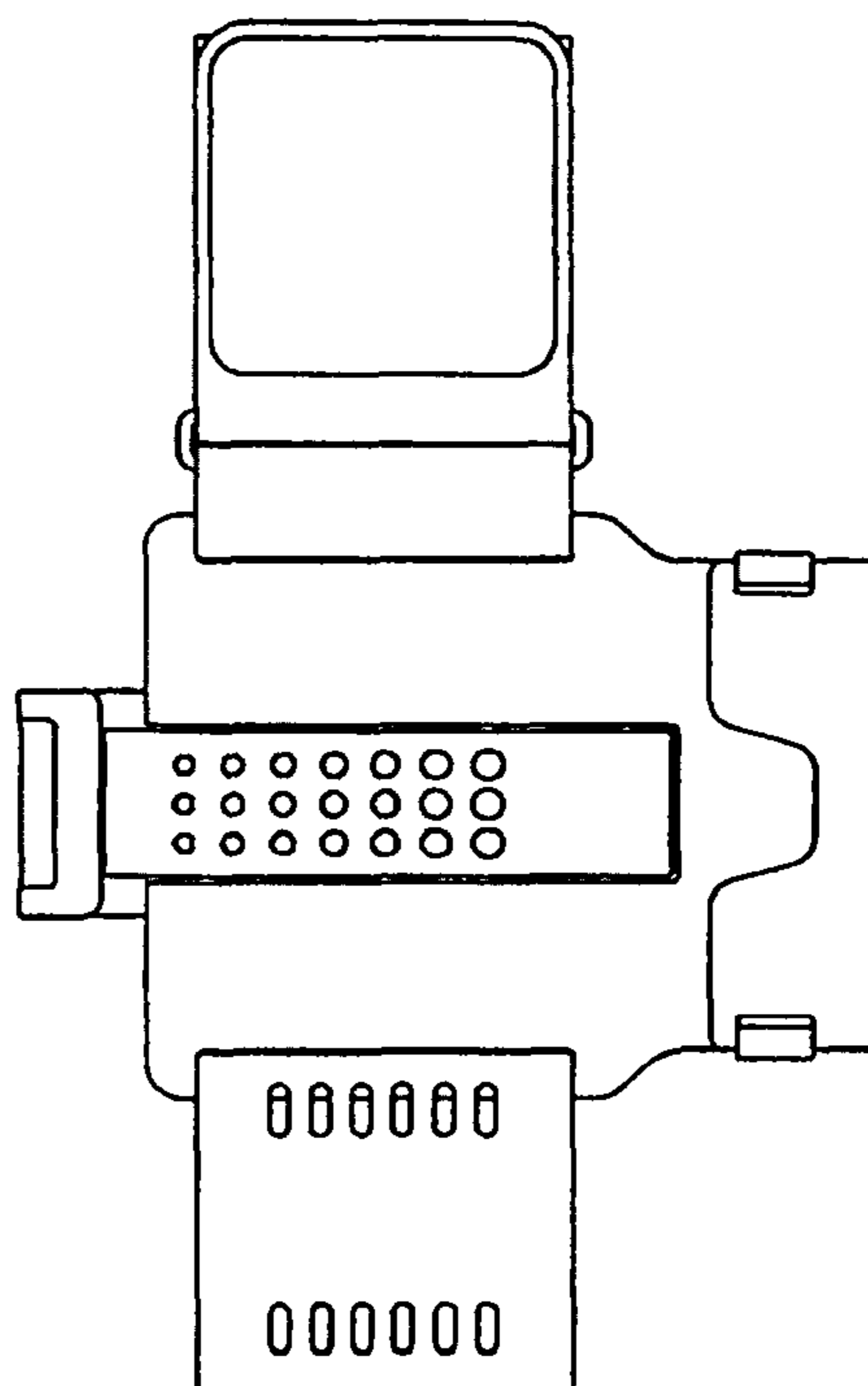


fig.9

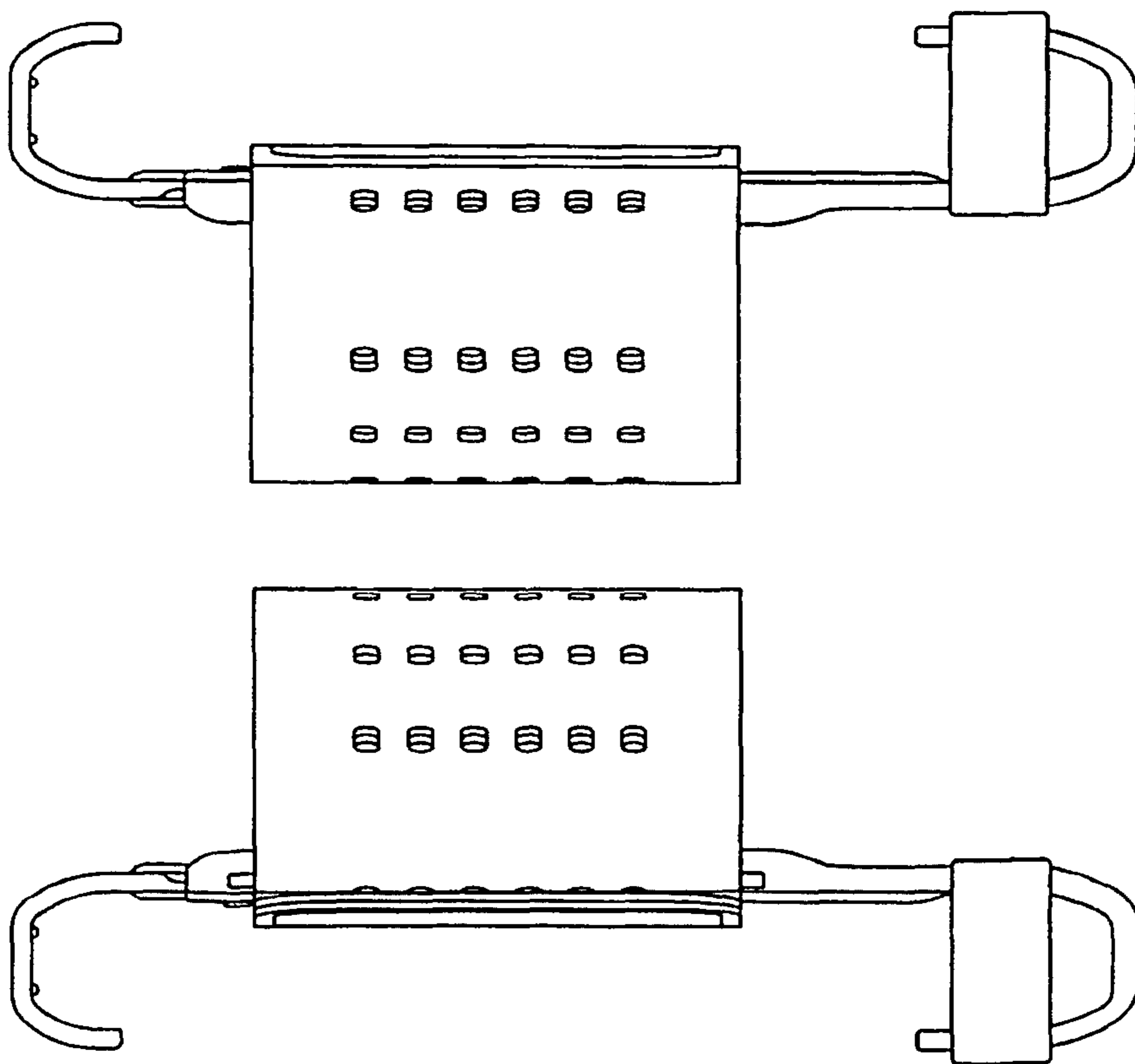


fig.11

fig.12

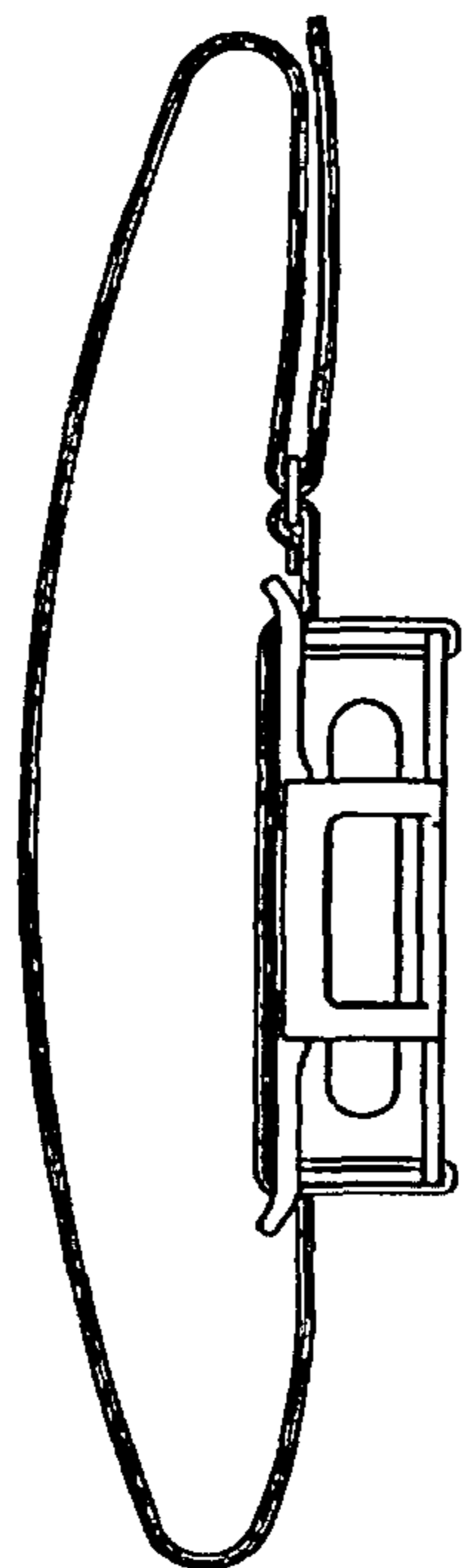


fig.13

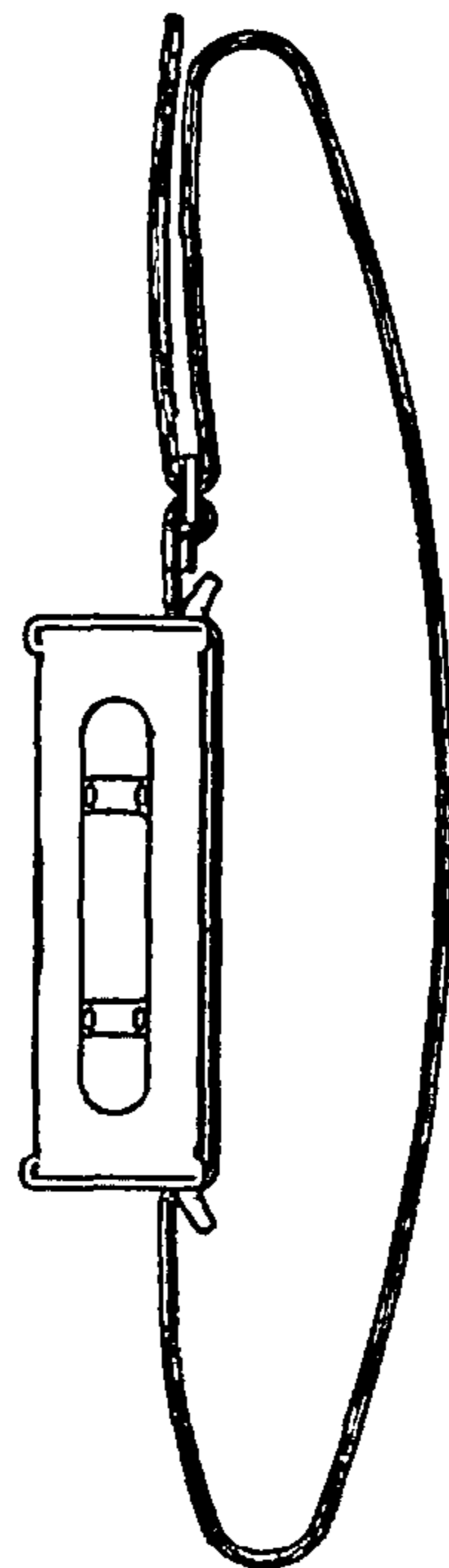


fig.14

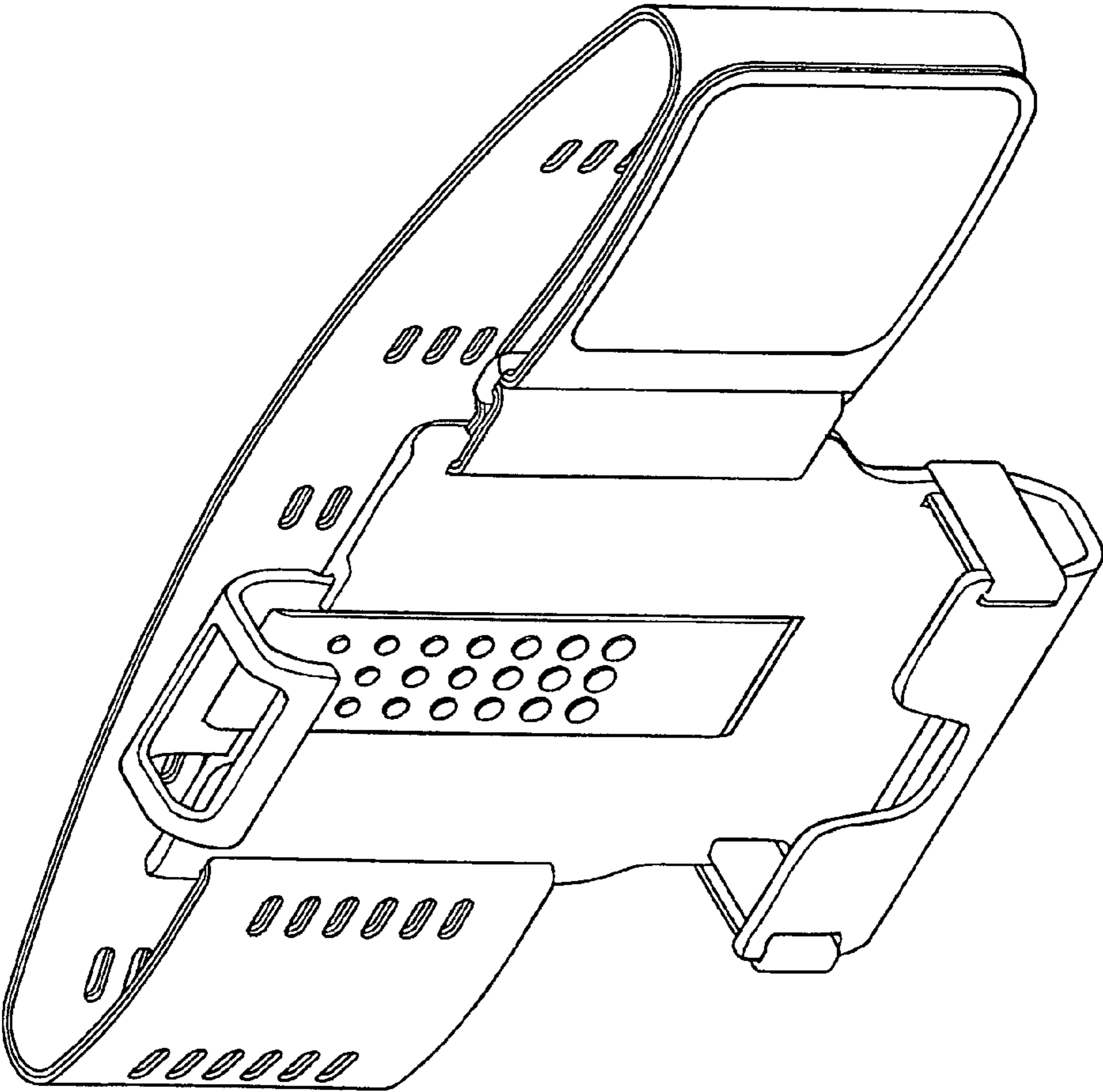


fig.15

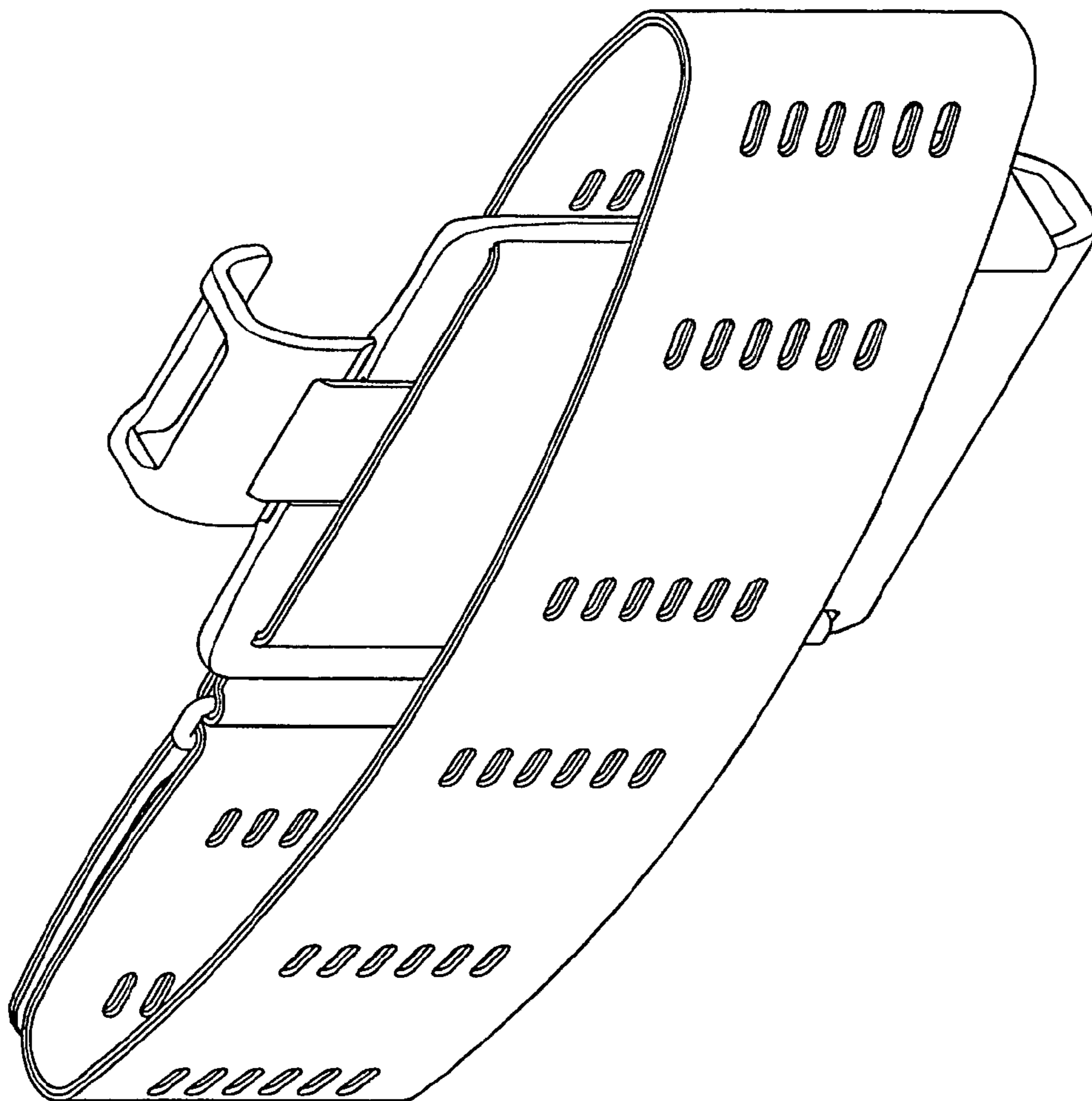


fig.16

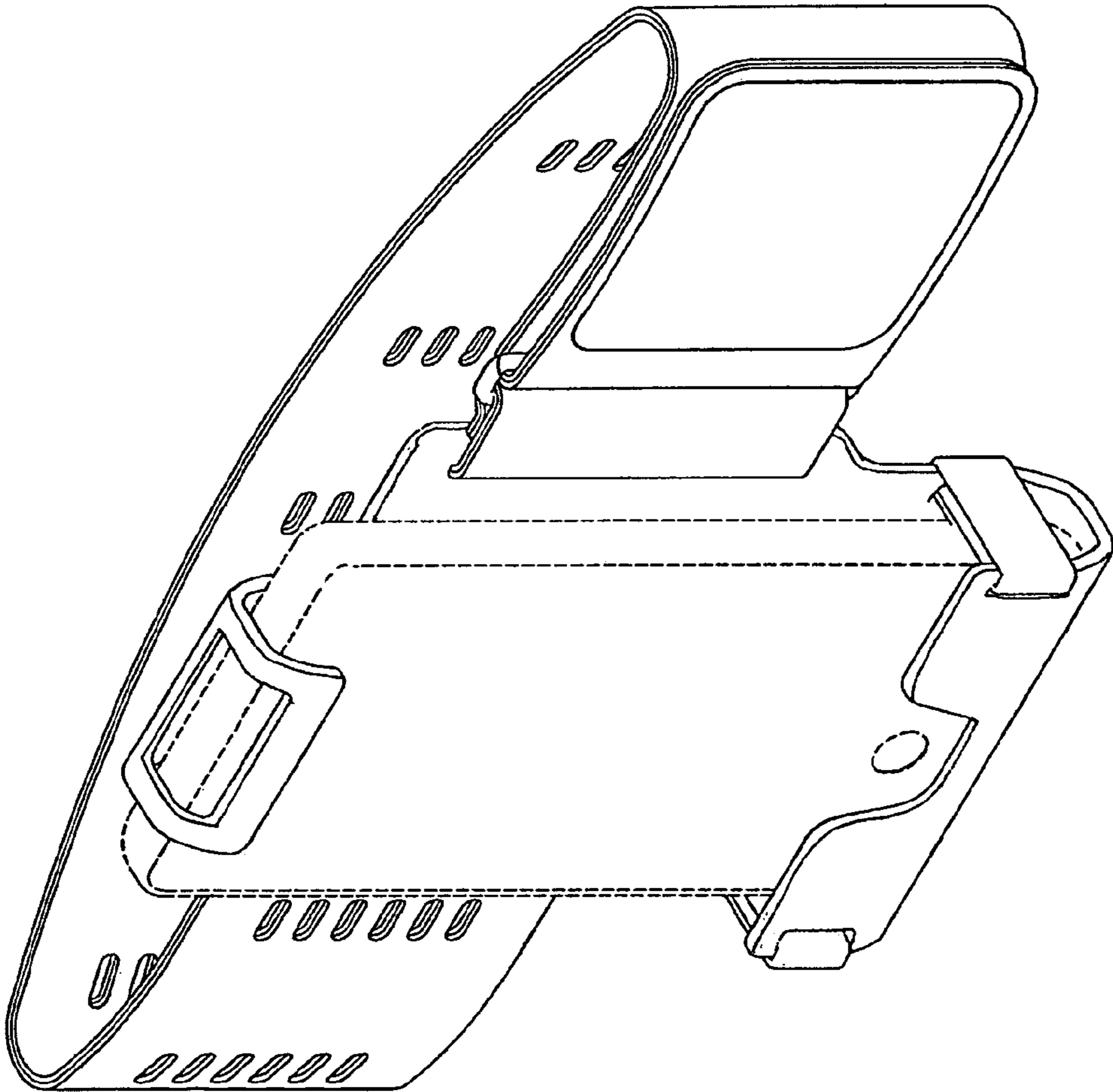


fig.17

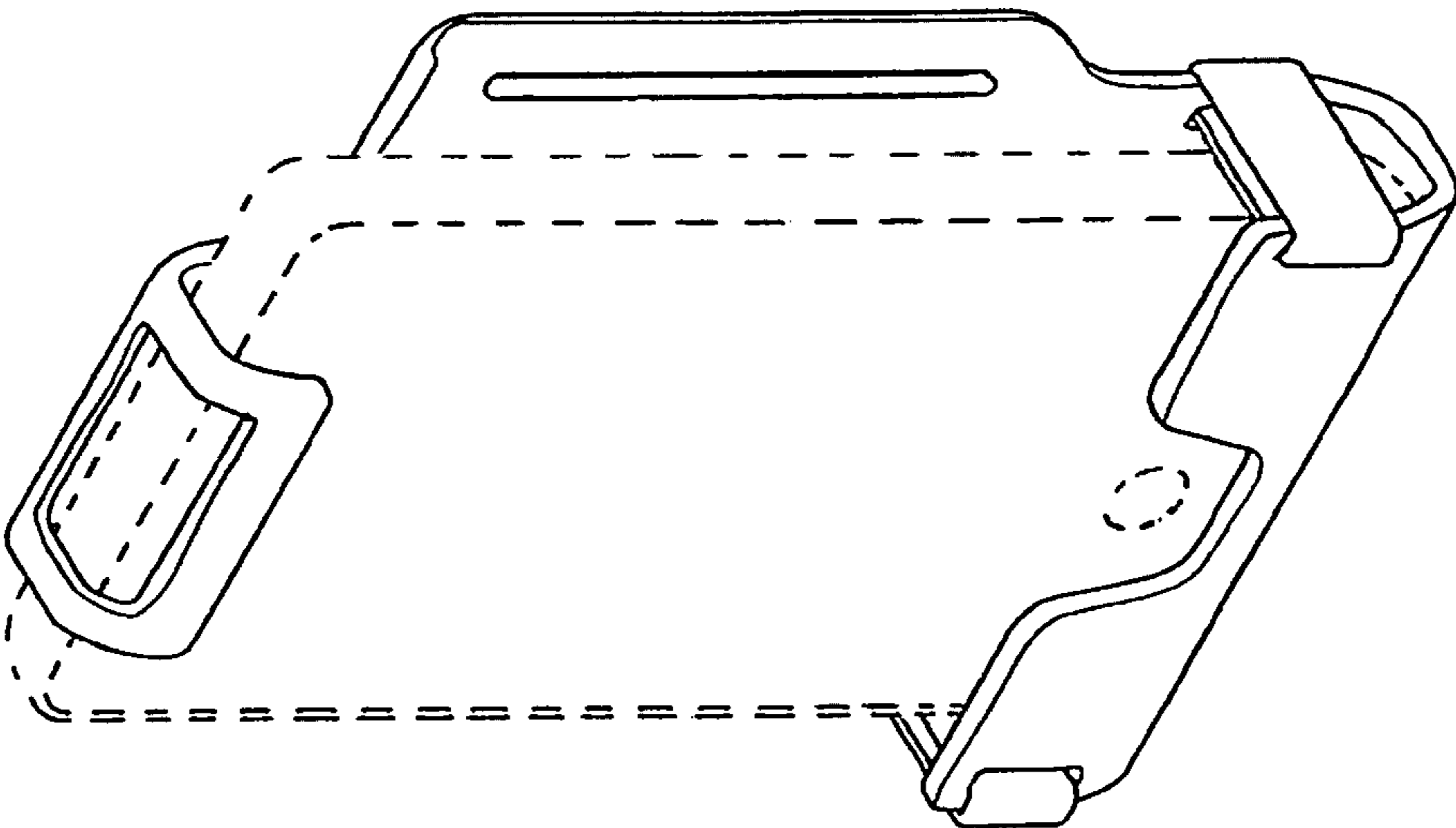


fig.18