



US00D713829S

(12) **United States Design Patent**  
**Lee et al.**

(10) **Patent No.:** **US D713,829 S**  
(45) **Date of Patent:** **\*\* Sep. 23, 2014**

(54) **TELEVISION RECEIVER**

- (71) Applicant: **LG Electronics Inc.**, Seoul (KR)
- (72) Inventors: **Jeongrok Lee**, Seoul (KR); **Yongho Lee**, Seoul (KR)
- (73) Assignee: **LG Electronics Inc.**, Seoul (KR)
- (\*\*) Term: **14 Years**
- (21) Appl. No.: **29/460,079**
- (22) Filed: **Jul. 8, 2013**

(30) **Foreign Application Priority Data**

- Jan. 7, 2013 (KR) ..... 30-2013-0001033
- (51) **LOC (10) Cl.** ..... **14-03**
- (52) **U.S. Cl.**  
USPC ..... **D14/239**

(58) **Field of Classification Search**

- CPC ..... H04N 2005/00; H04N 5/64
- USPC ..... D14/125-134, 239, 371, 136, 374-377, D14/440, 450, 448, 336, 342, 159; 312/7.2; 348/836, 838, 180, 184, 325, 739; 341/12; 248/917-924, 465; 345/104, 345/133, 156, 168, 87, 173; 720/605, 669, 720/600, 655; 369/99, 197; D6/477, 479, D6/300; 273/148 B; 446/484, 175, 356; D10/15, 26

See application file for complete search history.

(56) **References Cited**

U.S. PATENT DOCUMENTS

D601,523	S	*	10/2009	Chen	.....	D14/126
D618,641	S	*	6/2010	Kim et al.	.....	D14/126
D624,894	S	*	10/2010	Kasuga et al.	.....	D14/126
D629,374	S	*	12/2010	Fujii et al.	.....	D14/129
D631,860	S	*	2/2011	Chai et al.	.....	D14/126
D643,002	S	*	8/2011	Choi et al.	.....	D14/126
D659,663	S	*	5/2012	Xu et al.	.....	D14/126
D662,917	S	*	7/2012	Kasuga et al.	.....	D14/239
D669,872	S	*	10/2012	Yagi	.....	D14/126
D681,575	S	*	5/2013	Lee et al.	.....	D14/126
D682,232	S	*	5/2013	Lee et al.	.....	D14/126
8,542,264	B2	*	9/2013	Lu et al.	.....	348/14.08
D694,750	S	*	12/2013	Shin et al.	.....	D14/337

\* cited by examiner

*Primary Examiner* — Randall Gholson

(74) *Attorney, Agent, or Firm* — Morgan, Lewis & Bockius LLP

(57) **CLAIM**

The ornamental design for a television receiver, as shown and described.

**DESCRIPTION**

FIG. 1 is a rear perspective view of a television receiver showing our new design;  
 FIG. 2 is a front view thereof;  
 FIG. 3 is a rear view thereof;  
 FIG. 4 is a left side view thereof where the right side view is a mirror image;  
 FIG. 5 is a top plan view thereof; and,  
 FIG. 6 is a bottom plan view thereof.  
 The dashed broken lines show unclaimed subject matter only and form no part of the claimed design. The dash-dot broken lines define the bounds of the claimed design and form no part thereof.

**1 Claim, 6 Drawing Sheets**

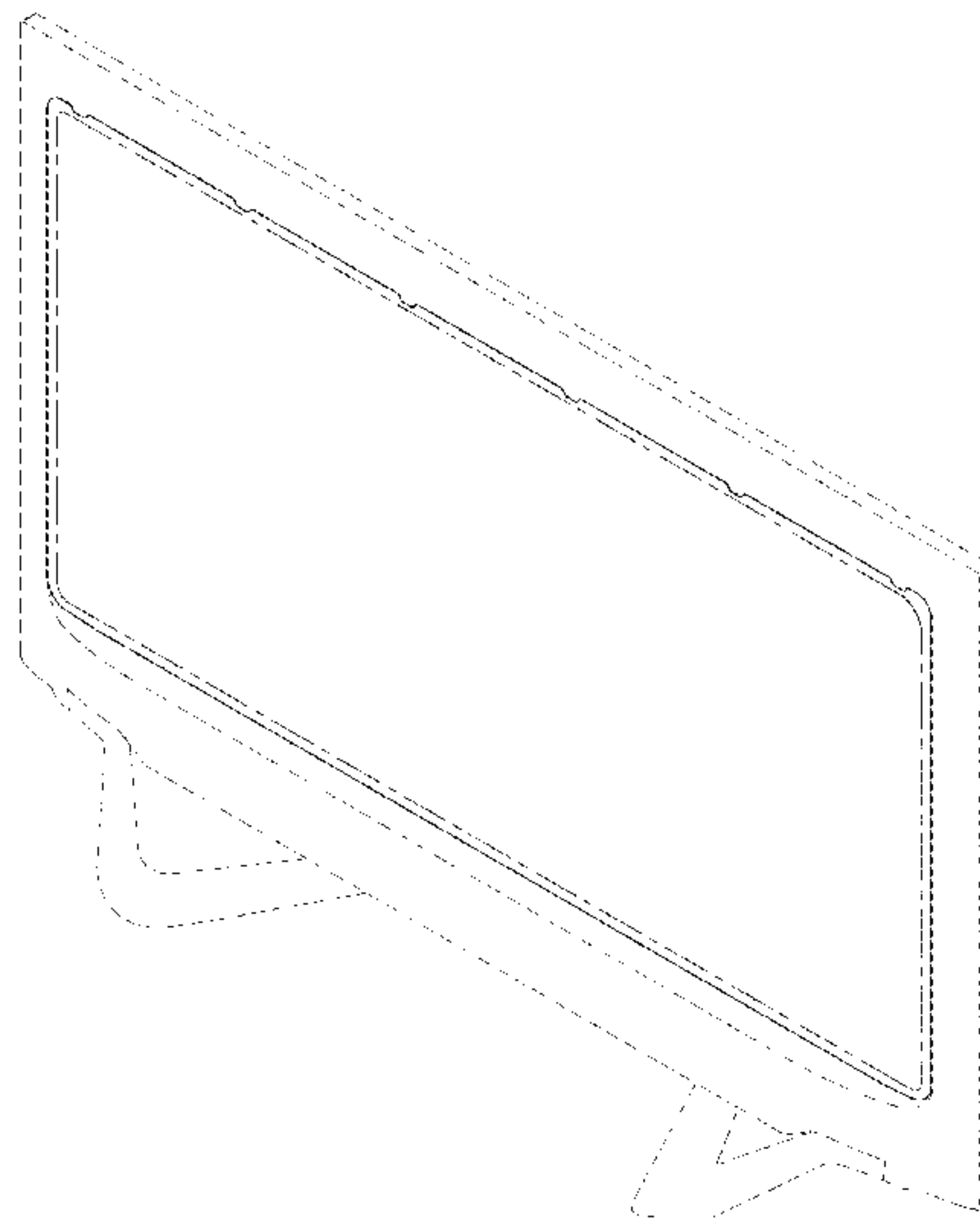


FIG. 1

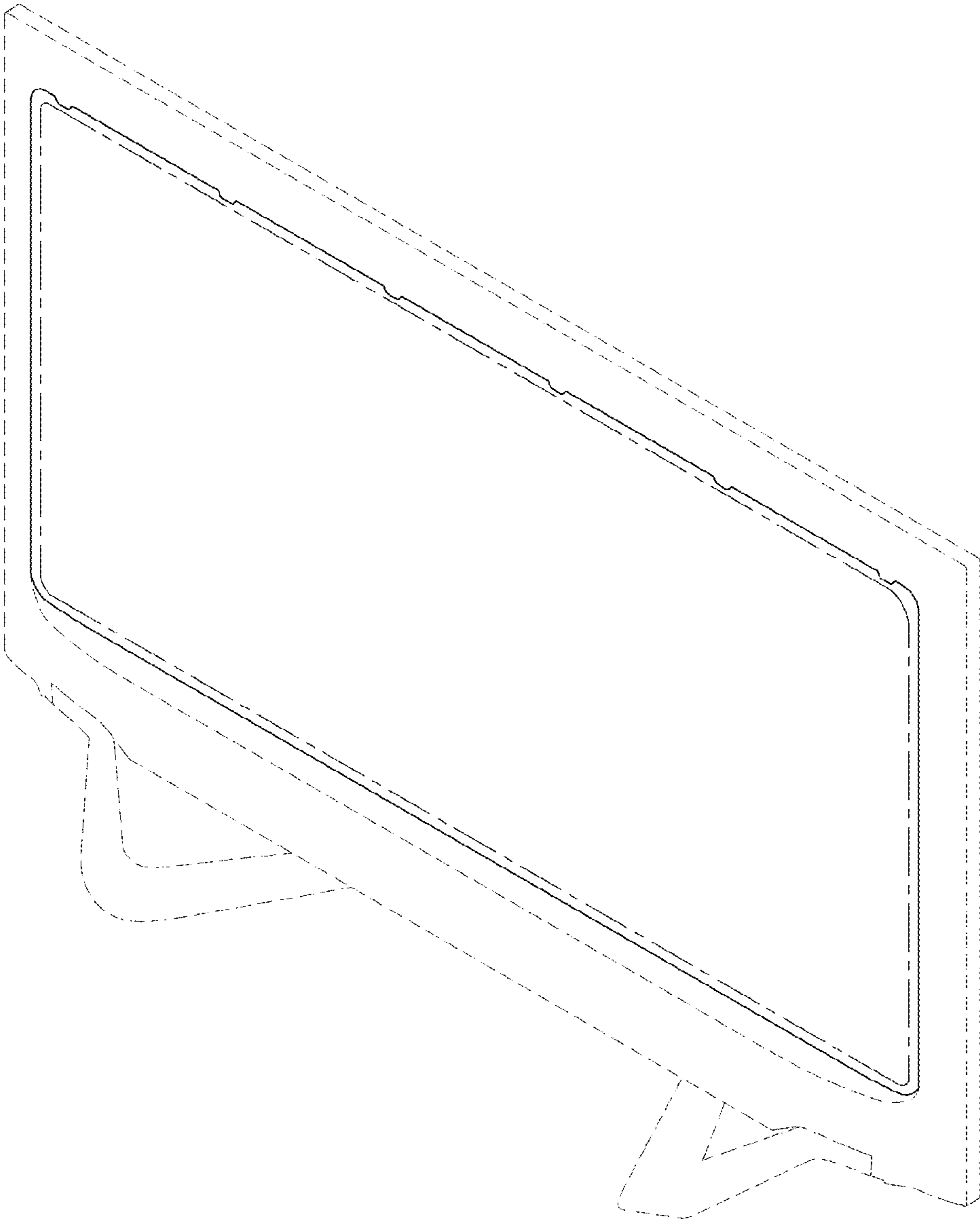


FIG. 2

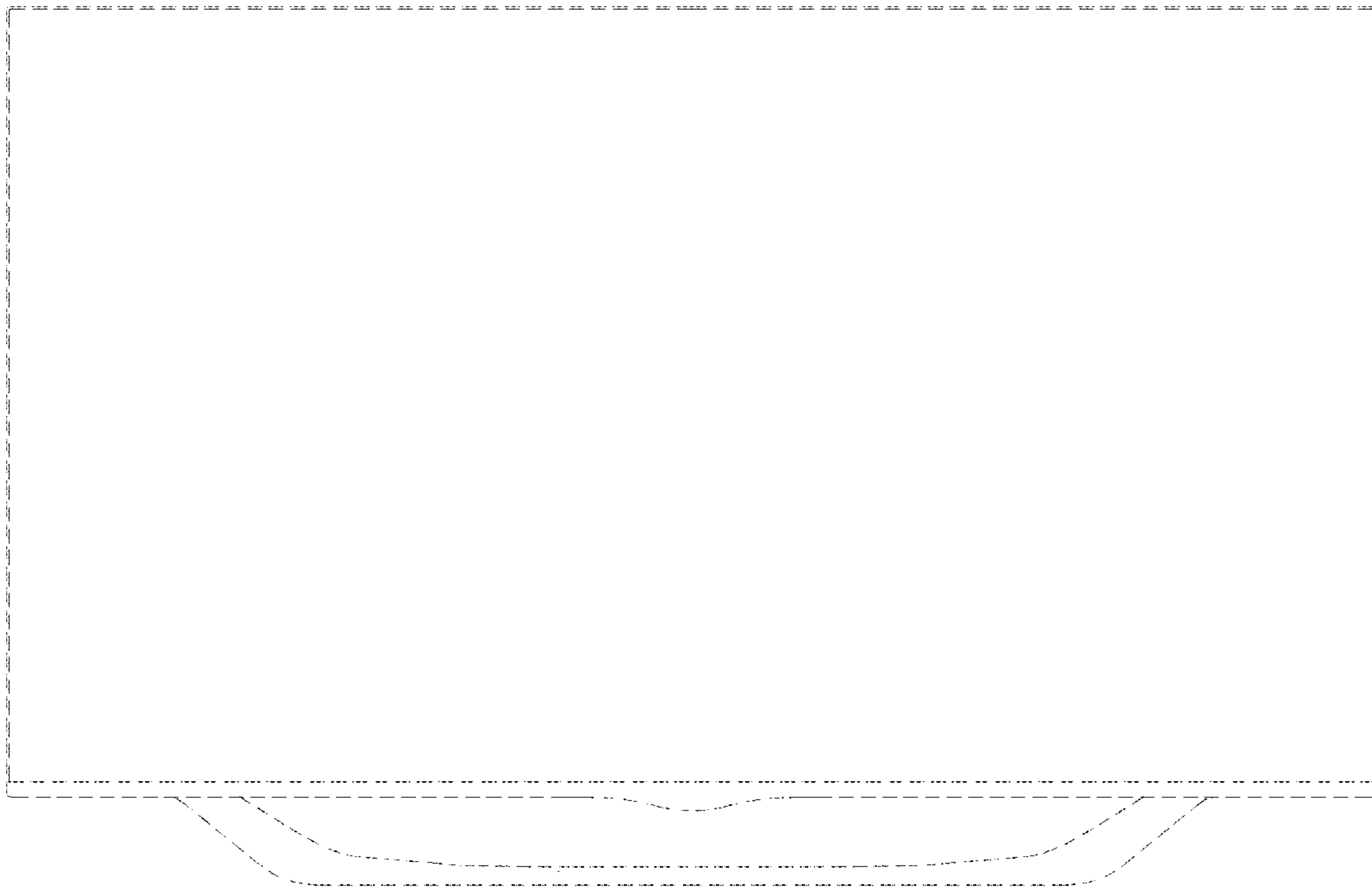


FIG. 3

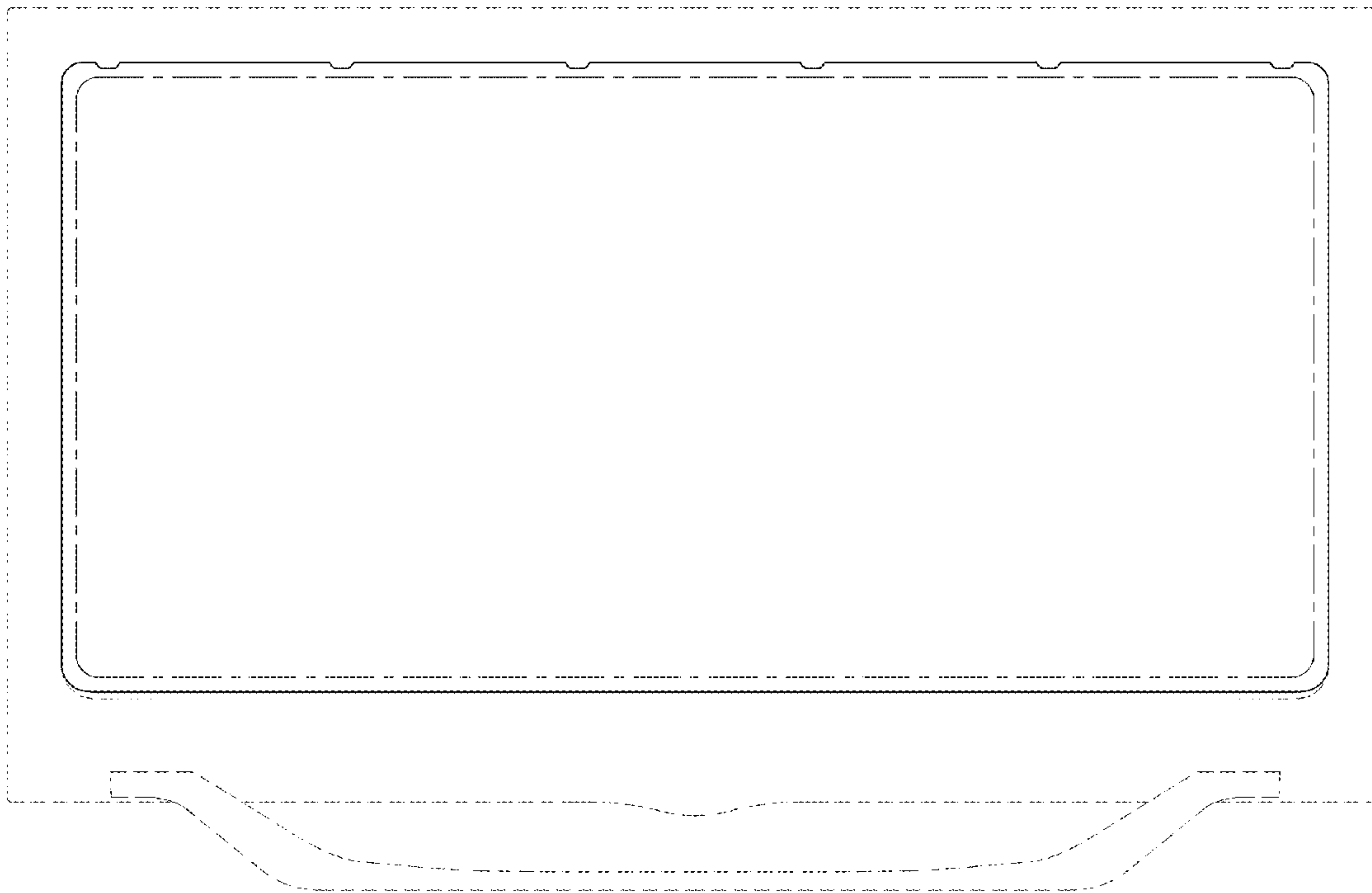


FIG. 4

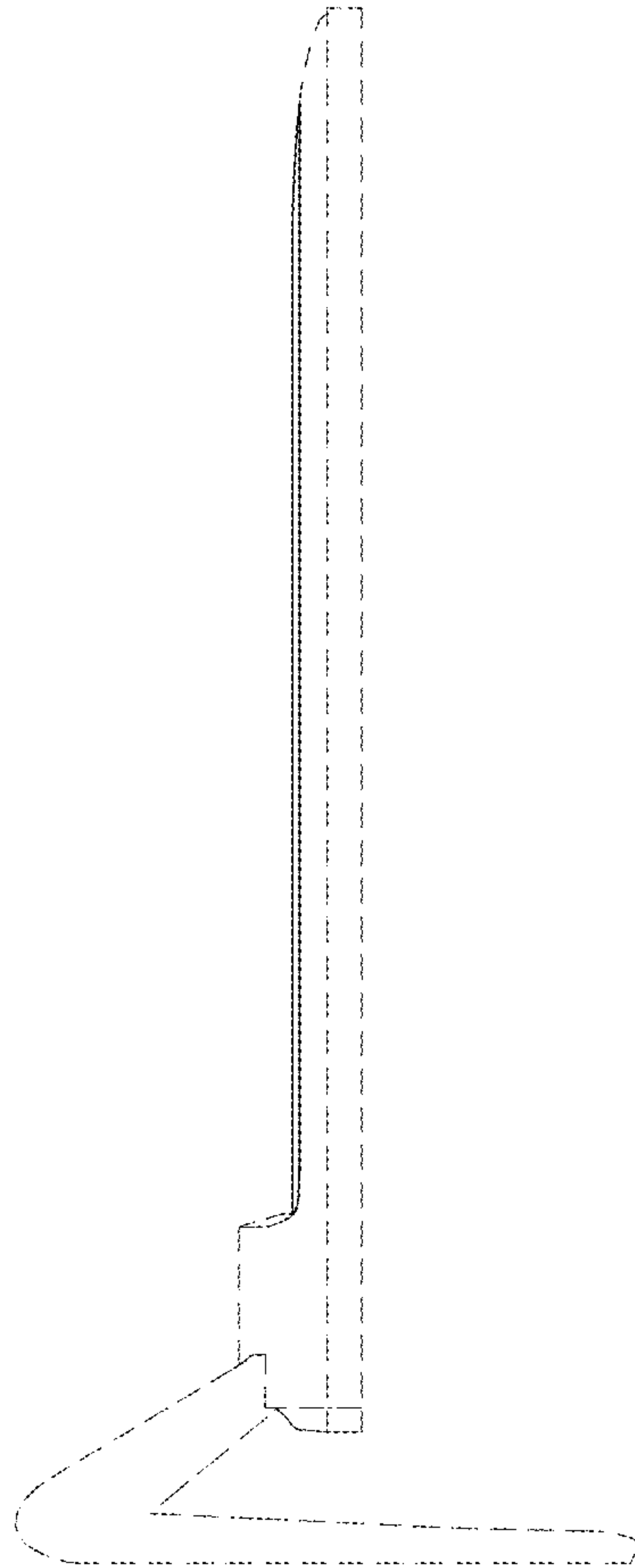


FIG. 5

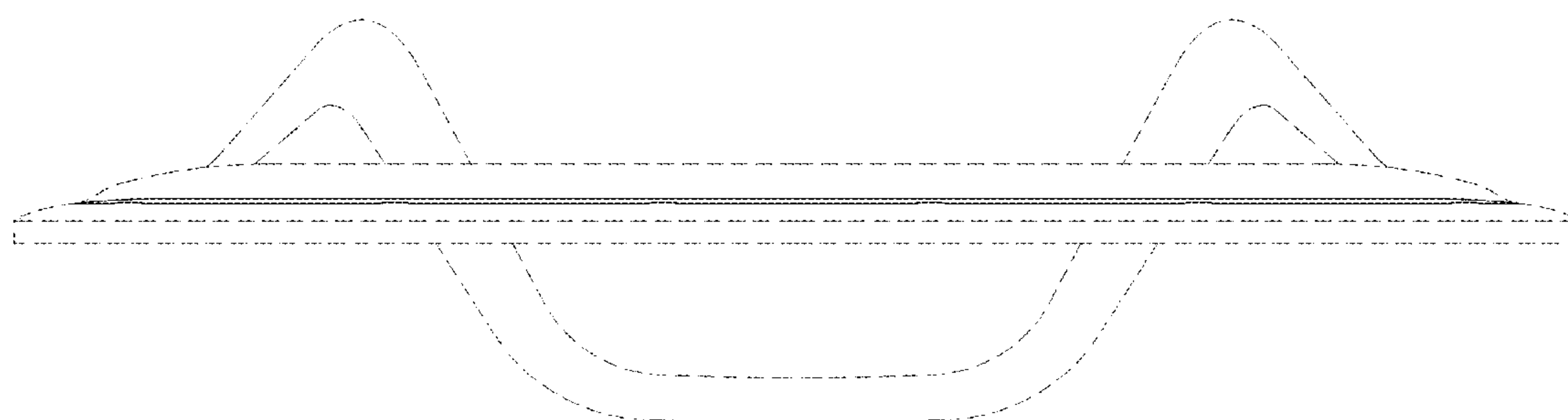


FIG. 6

