



US00D713827S

(12) **United States Design Patent**
Forster et al.

(10) **Patent No.:** **US D713,827 S**

(45) **Date of Patent:** **** Sep. 23, 2014**

(54) **ANTENNA**

(71) Applicant: **Avery Dennison Retail Information Services, LLC**, Mentor, OH (US)

(72) Inventors: **Ian James Forster**, Essex (GB);
Norman A Howard, Essex (GB)

(**) Term: **14 Years**

(21) Appl. No.: **29/479,610**

(22) Filed: **Jan. 17, 2014**

(51) **LOC (10) Cl.** **14-03**

(52) **U.S. Cl.**
USPC **D14/230**

(58) **Field of Classification Search**
USPC D14/138, 230-238, 299, 358; D12/42,
D12/43; 343/700 MS, 700 R-705, 711-713,
343/735, 736, 741, 748, 767, 795, 819, 840,
343/846, 866, 871-908; 455/90.2, 90.3, 91,
455/128, 269, 344, 347, 562.1

See application file for complete search history.

(56) **References Cited**

U.S. PATENT DOCUMENTS

D535,264 S *	1/2007	Lai	D13/182
D546,821 S *	7/2007	Oliver	D14/230
D573,589 S *	7/2008	Montgomery et al.	D14/230
D611,037 S *	3/2010	Oliver	D14/230
8,177,138 B2 *	5/2012	Kato et al.	235/492
8,448,874 B2 *	5/2013	Koskelainen	235/492
8,528,829 B2 *	9/2013	Kato et al.	235/492
D694,737 S *	12/2013	Bufe	D14/230
2007/0200782 A1 *	8/2007	Hayama et al.	343/795

* cited by examiner

Primary Examiner — John Windmuller

(74) *Attorney, Agent, or Firm* — Avery Dennison Corporation

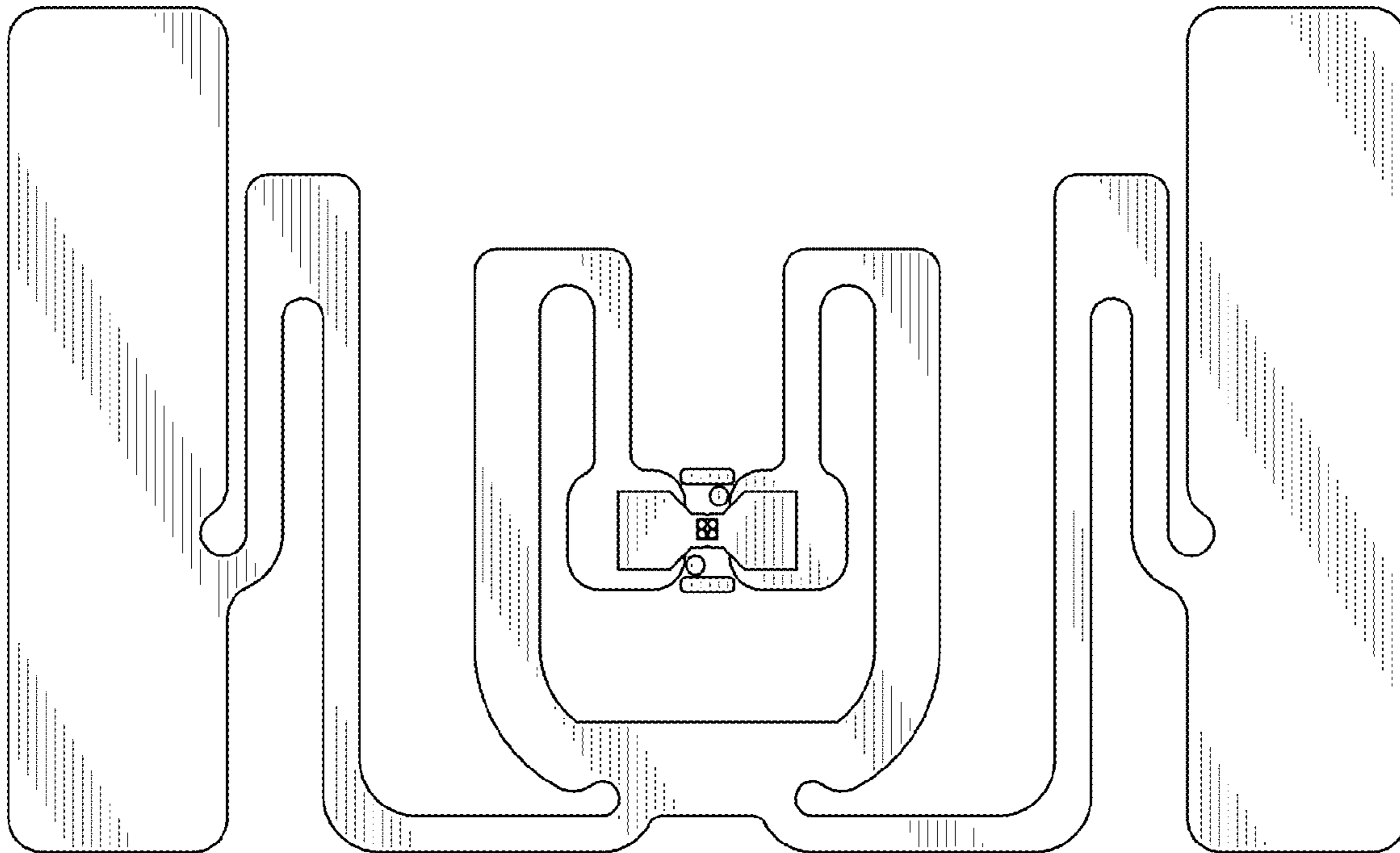
(57) **CLAIM**

The ornamental design for an antenna, as shown and described.

DESCRIPTION

FIG. 1 is a perspective view of our new antenna design; and, FIG. 2 is a top view of FIG. 1.

1 Claim, 1 Drawing Sheet



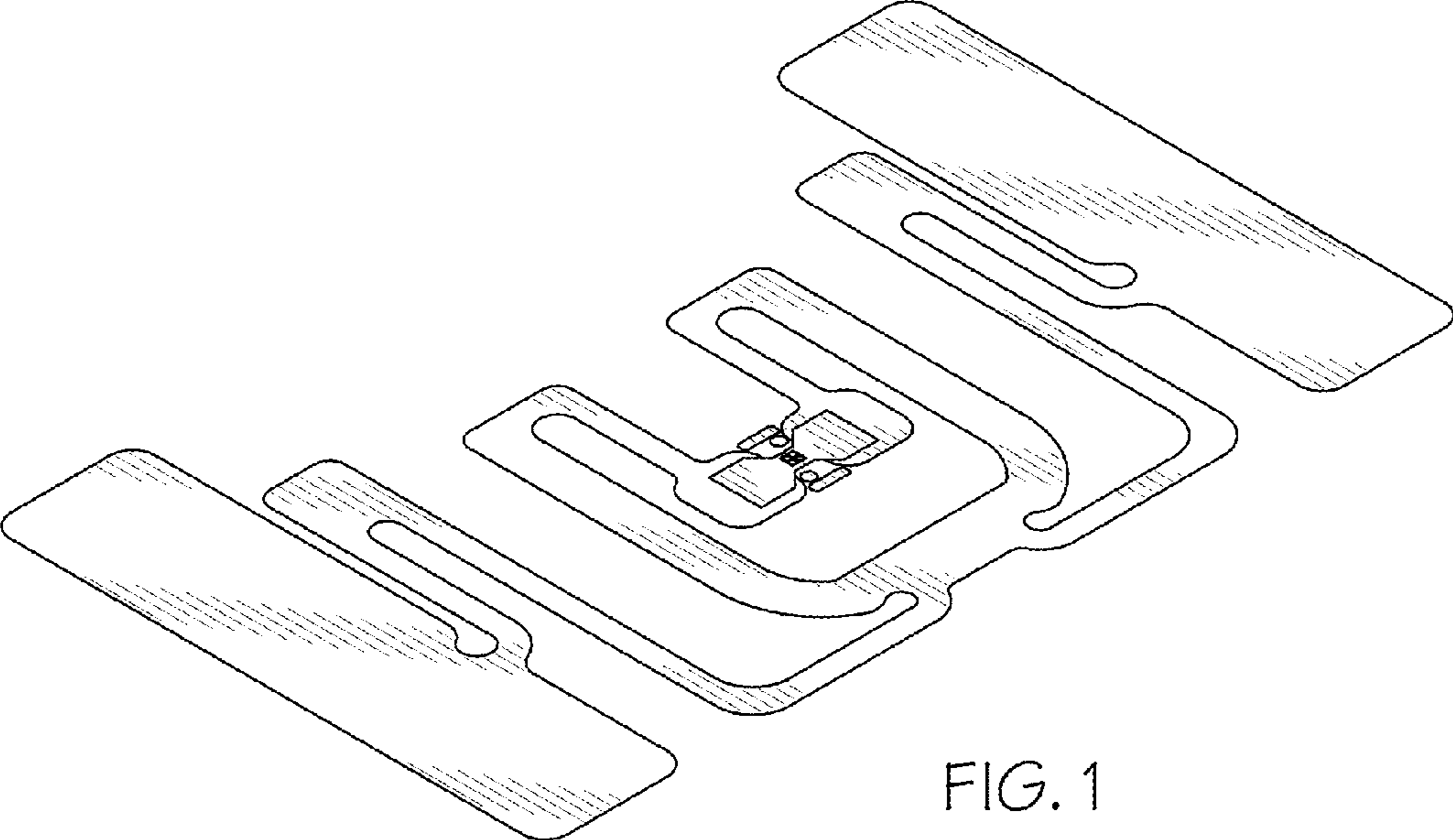


FIG. 1

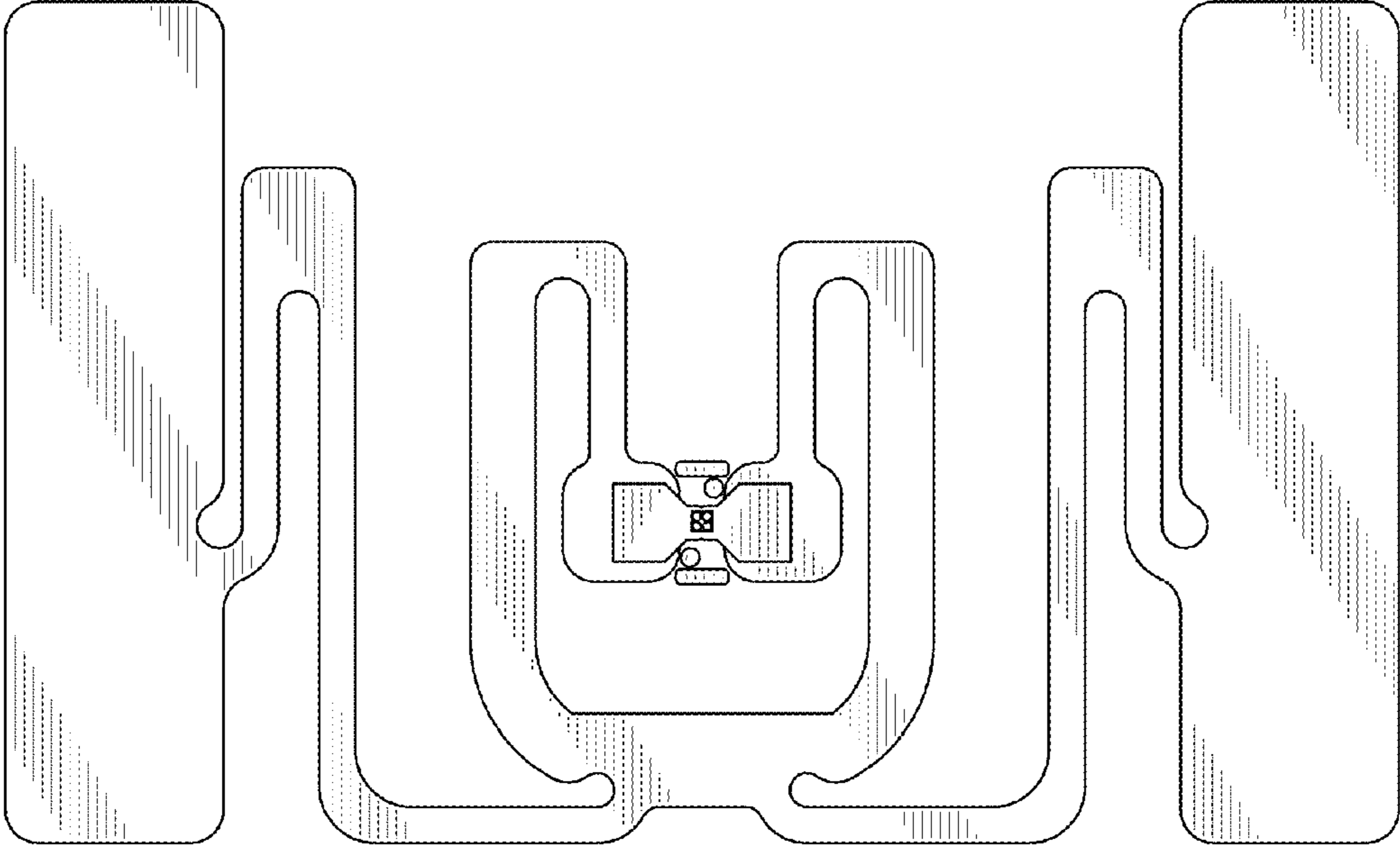


FIG. 2