



US00D713826S

(12) **United States Design Patent**
McDonnell

(10) **Patent No.:** **US D713,826 S**
(45) **Date of Patent:** **** Sep. 23, 2014**

(54) **TELEVISION ANTENNA**

(71) Applicant: **Joshua M. McDonnell**, Fairfield, CT
(US)

(72) Inventor: **Joshua M. McDonnell**, Fairfield, CT
(US)

(**) Term: **14 Years**

(21) Appl. No.: **29/466,997**

(22) Filed: **Sep. 13, 2013**

(51) **LOC (10) Cl.** **14-03**

(52) **U.S. Cl.**
USPC **D14/230**

(58) **Field of Classification Search**
USPC D14/138, 230–238, 299, 358; D12/42,
D12/43; 343/700 MS, 700 R–705, 711–713,
343/735, 736, 741, 748, 767, 795, 819, 840,
343/846, 866, 871–908; 455/90.2, 90.3, 91,
455/128, 269, 344, 347, 562.1

See application file for complete search history.

(56) **References Cited**

U.S. PATENT DOCUMENTS

3,273,158	A *	9/1966	Fouts et al.	343/792
4,315,272	A *	2/1982	Vorhaus	257/270
6,140,975	A *	10/2000	Cohen	343/846
7,019,704	B2 *	3/2006	Weiss	343/770
7,113,141	B2 *	9/2006	Almog et al.	343/795
7,123,208	B2 *	10/2006	Puente Baliarda et al. ...	343/800
7,129,935	B2 *	10/2006	Mackey	345/174
D533,546	S *	12/2006	Iizuka et al.	D14/230
7,177,236	B2 *	2/2007	Harchanko et al.	369/13.33
7,245,196	B1 *	7/2007	Baliarda et al.	333/219
7,453,401	B2 *	11/2008	Jow	343/700 MS
D585,436	S *	1/2009	Fang et al.	D14/230
7,486,249	B2 *	2/2009	Fujita et al.	343/795
D587,691	S *	3/2009	Oliver	D14/230
D587,693	S *	3/2009	Ohshima	D14/230
D592,192	S *	5/2009	Oliver	D14/230
7,579,998	B1 *	8/2009	Fang et al.	343/795

D604,275	S *	11/2009	Norris et al.	D14/230
D608,769	S *	1/2010	Bufe	D14/230
D630,196	S *	1/2011	Hall	D14/230
D645,459	S *	9/2011	Ni	D14/230
8,274,486	B2 *	9/2012	Barbier et al.	345/173
D668,638	S *	10/2012	Matsumoto et al.	D14/230
D668,640	S *	10/2012	Matsumoto et al.	D14/230
D679,100	S *	4/2013	Kuriki	D5/63
8,436,627	B1 *	5/2013	Peng et al.	324/658
D685,196	S *	7/2013	Kuriki	D5/63
D692,869	S *	11/2013	Gladstone	D14/230
D694,737	S *	12/2013	Bufe	D14/230
D697,059	S *	1/2014	Miller	D14/230
2007/0096993	A1 *	5/2007	Tikhov et al.	343/700 MS
2007/0152886	A1 *	7/2007	Baliarda et al.	343/700 MS

(Continued)

Primary Examiner — John Windmuller

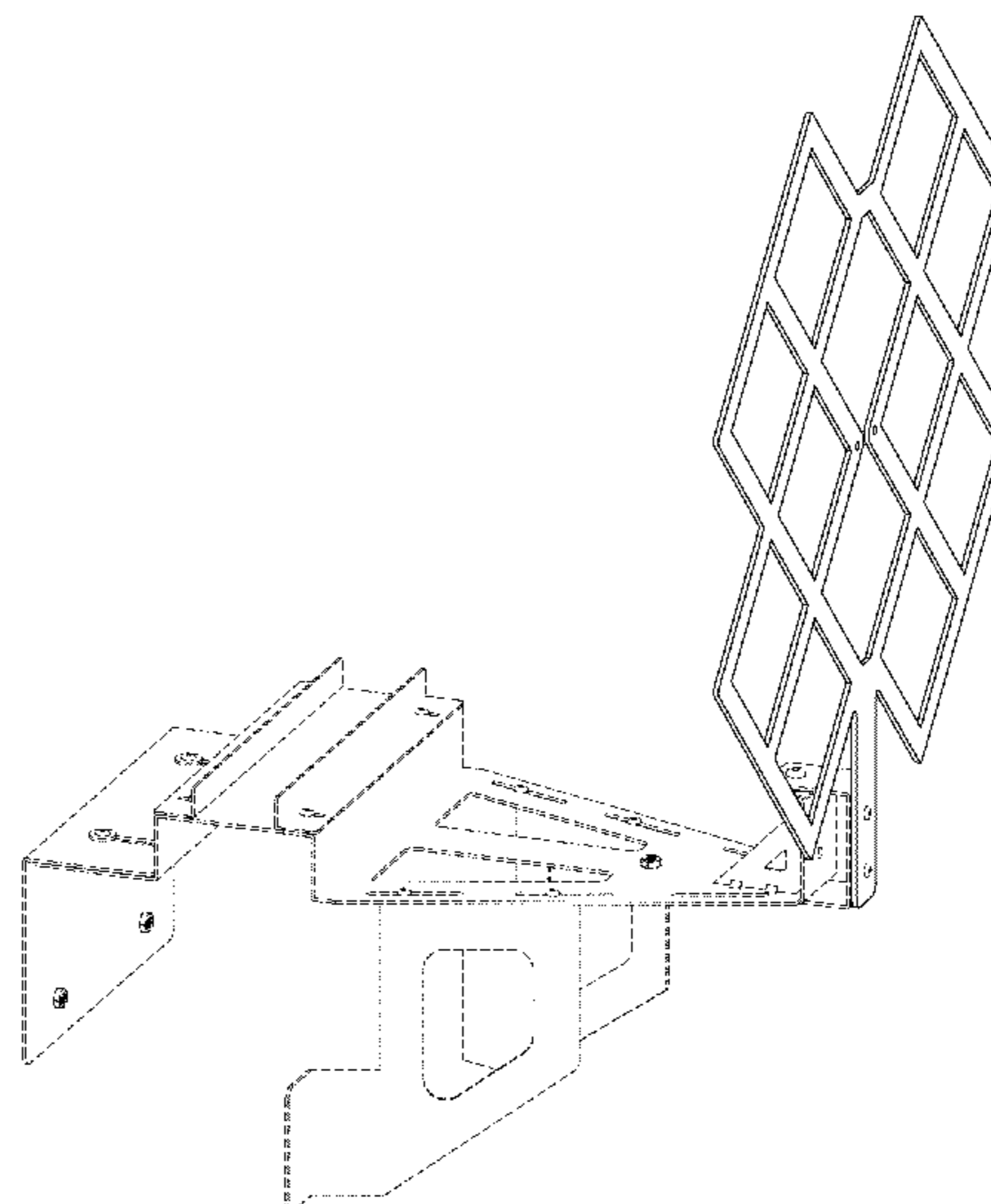
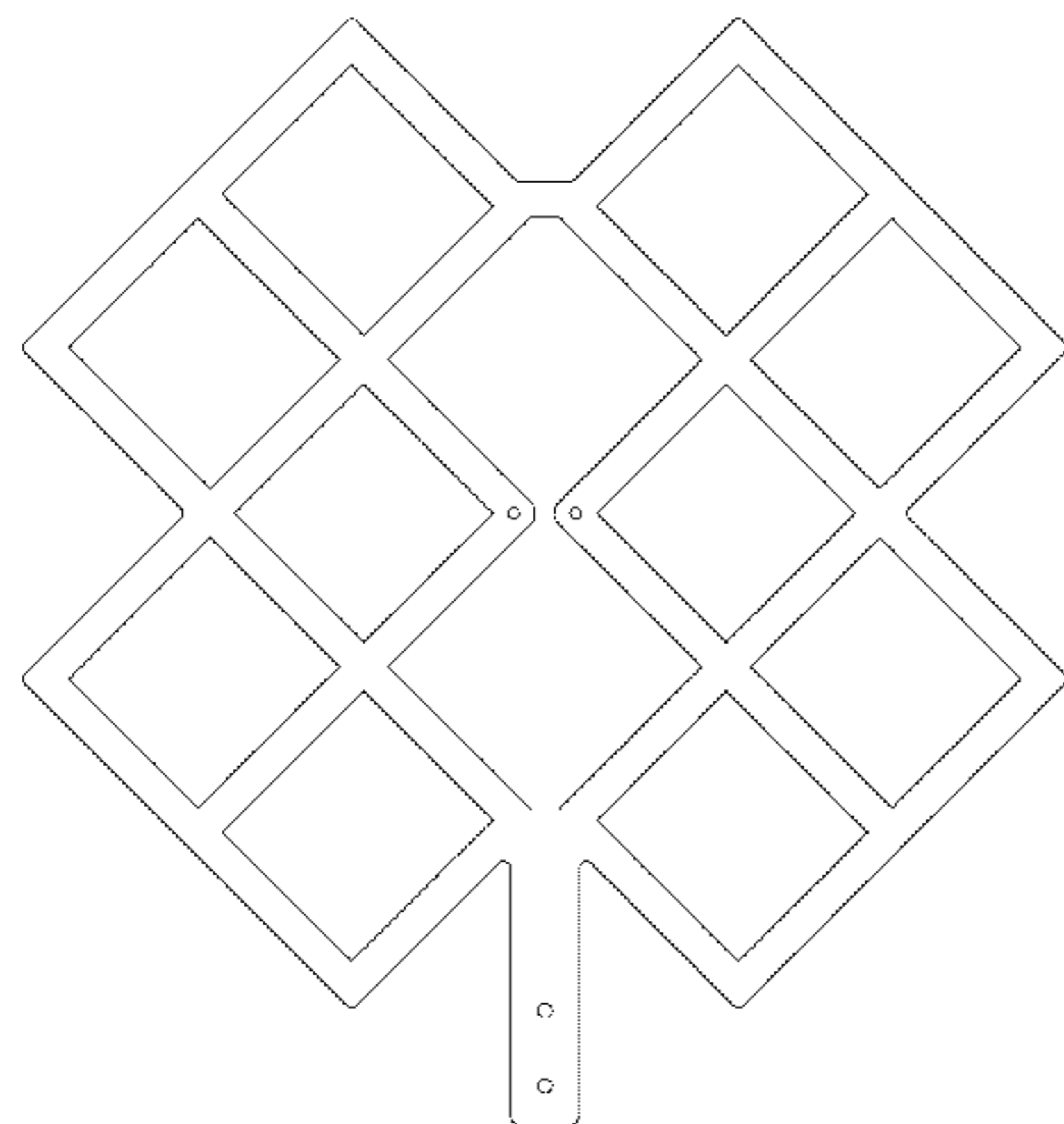
(57) **CLAIM**

The ornamental design for a television antenna, as shown and described.

DESCRIPTION

FIG. 1 is front perspective view of a television antenna showing my new design;
 FIG. 2 is a front elevation view thereof;
 FIG. 3 is a top plan view thereof;
 FIG. 4 is a bottom plan view thereof;
 FIG. 5 is a side elevation view thereof, the opposite side elevation view being a mirror image thereof;
 FIG. 6 is a rear side perspective view thereof in use with a window bracket;
 FIG. 7 is a front elevation view thereof;
 FIG. 8 is a side elevation view thereof, the opposite side elevation view being a mirror image thereof;
 FIG. 9 is a top plan view thereof;
 FIG. 10 is a bottom plan view thereof; and,
 FIG. 11 is a rear elevation view thereof.
 The broken line showing of a window bracket depicts environment only and forms no part of the claimed design.

1 Claim, 10 Drawing Sheets



US D713,826 S

Page 2

(56)

References Cited

2011/0254739 A1* 10/2011 Dudley et al. 343/700 MS
2012/0268341 A1 10/2012 McDonnell

U.S. PATENT DOCUMENTS

2010/0085326 A1* 4/2010 Anno 345/174 * cited by examiner

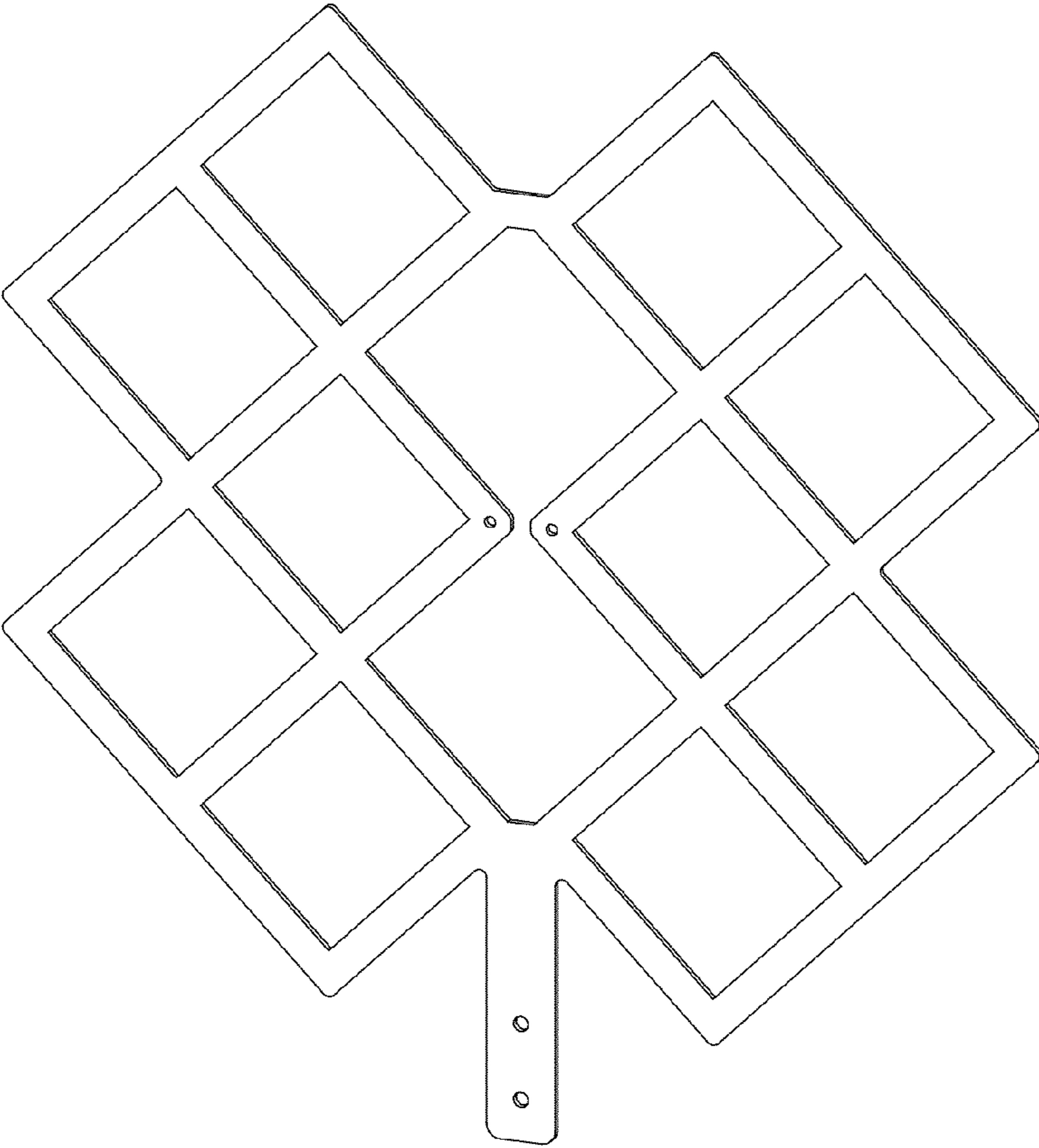


FIG. 1

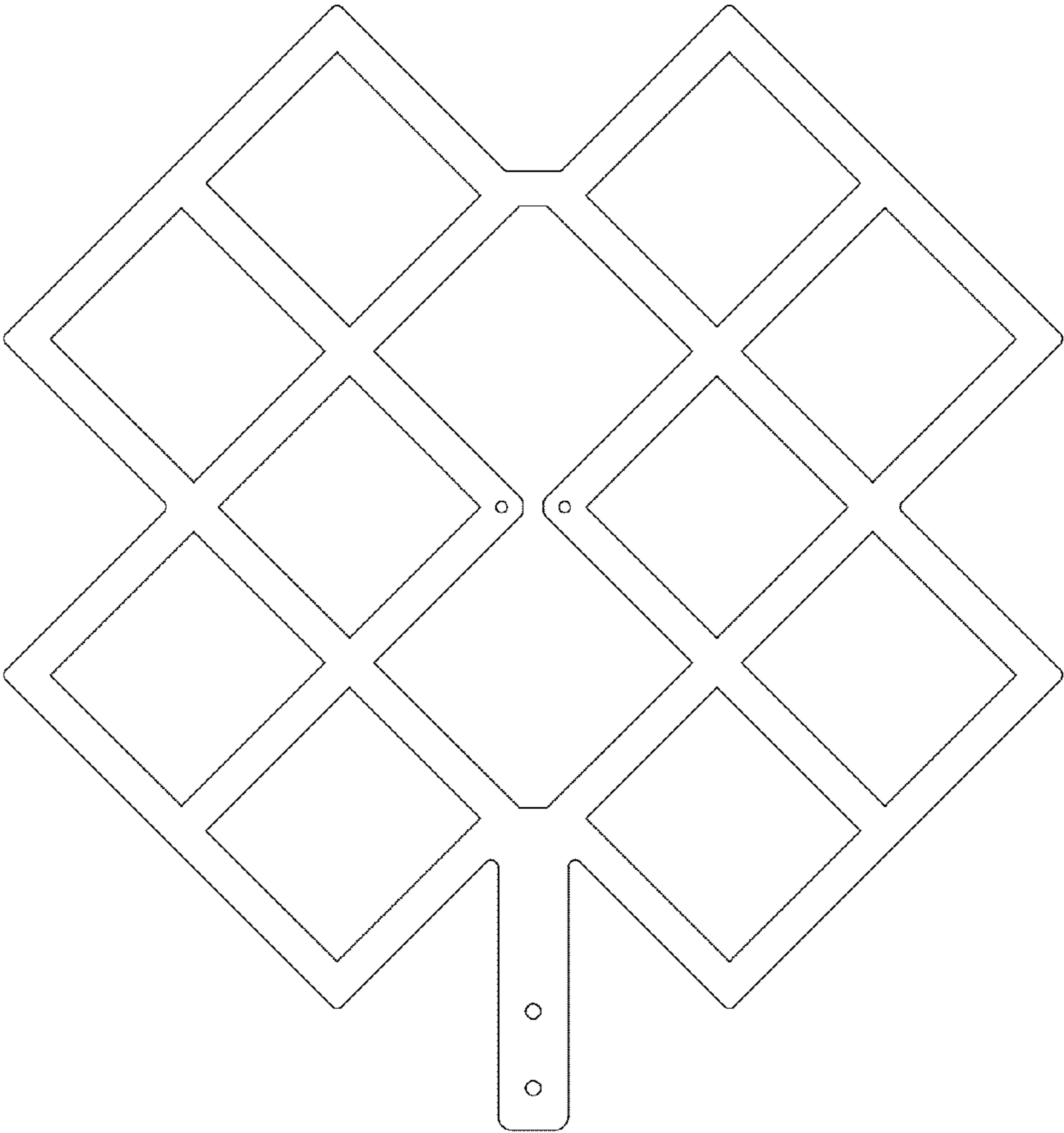


FIG. 2

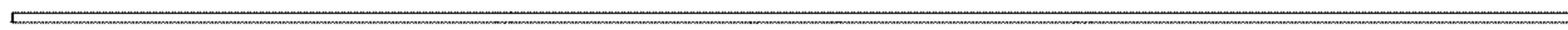


FIG. 3



FIG. 4



FIG. 5

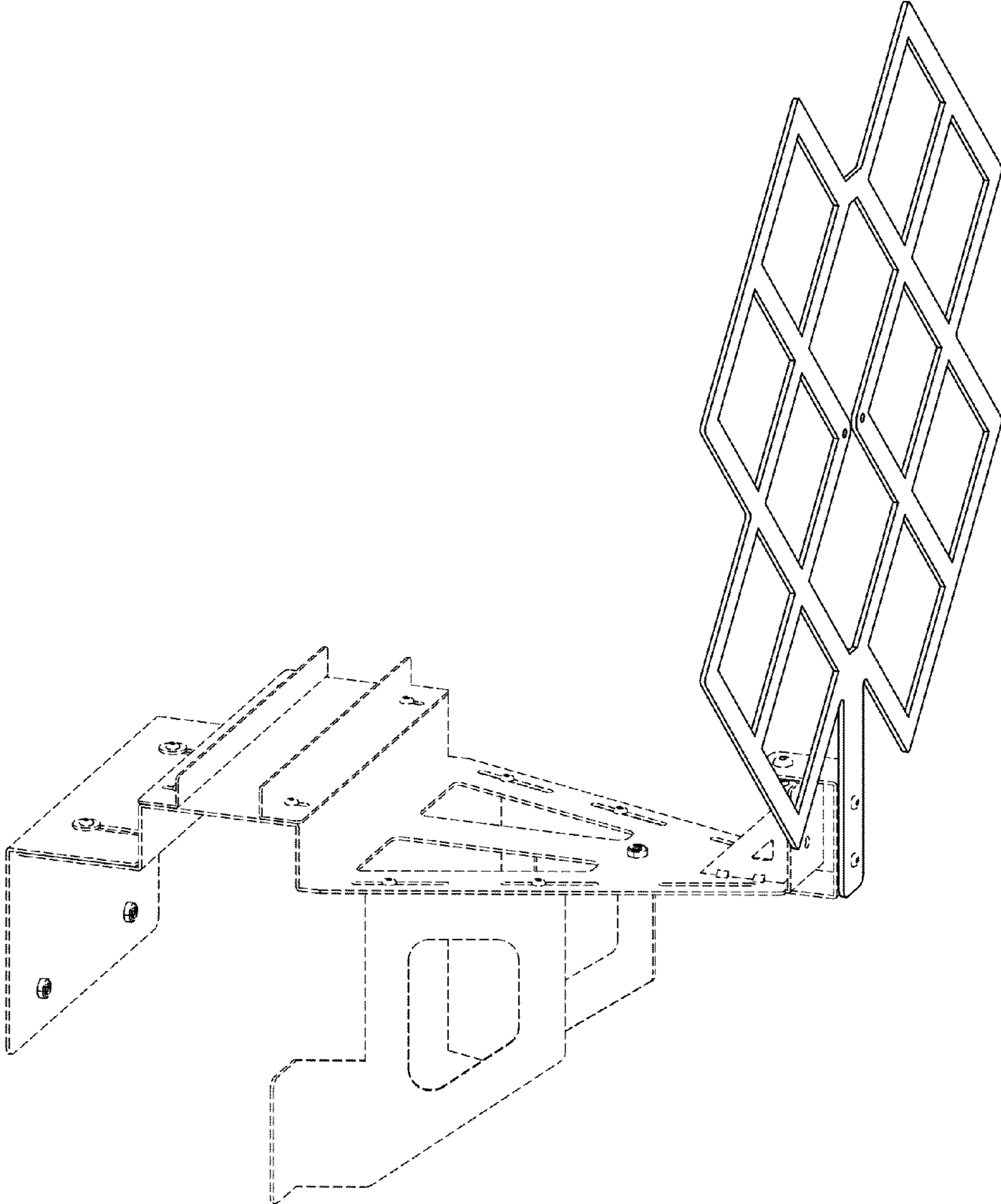


FIG. 6

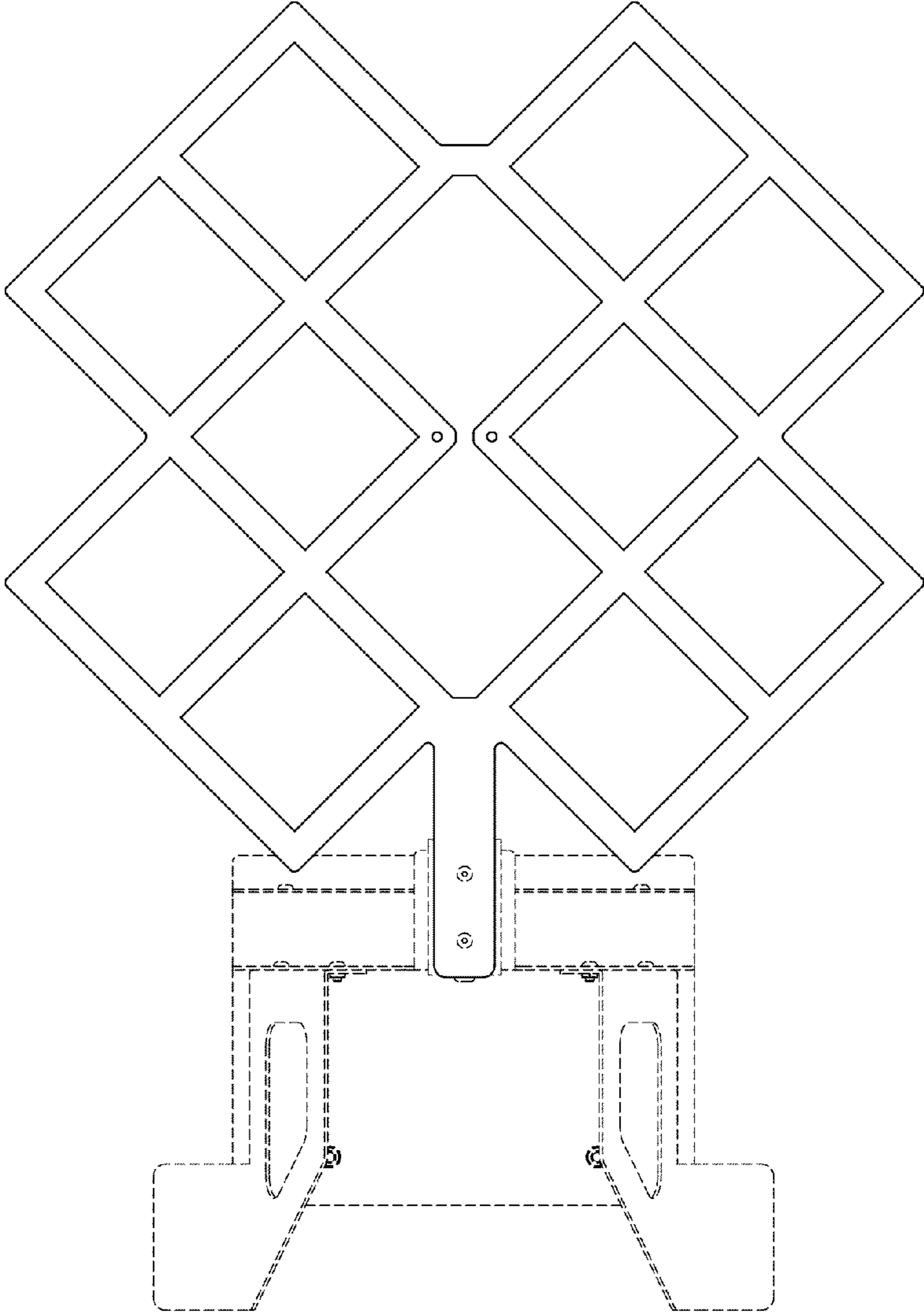


FIG. 7

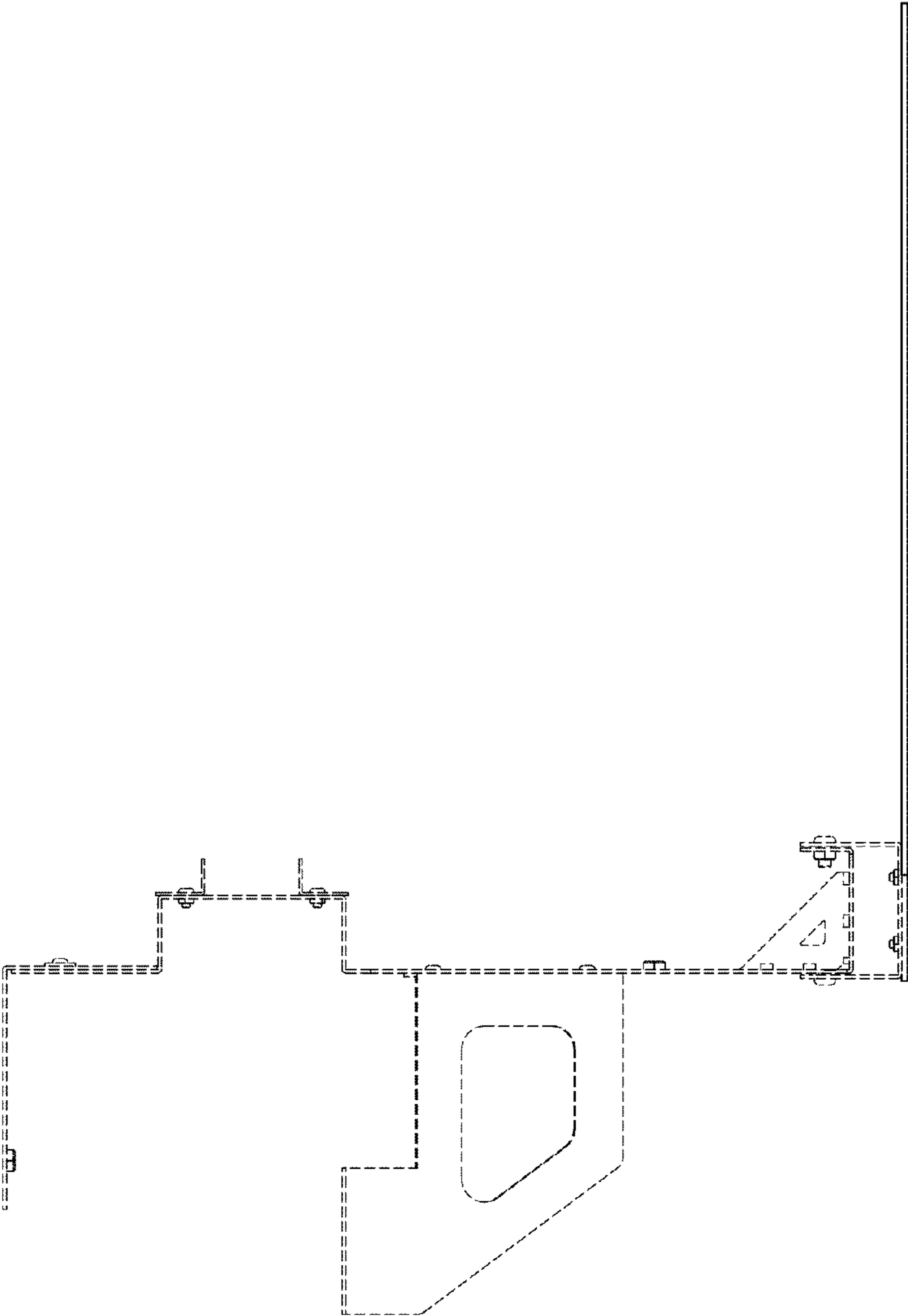


FIG. 8

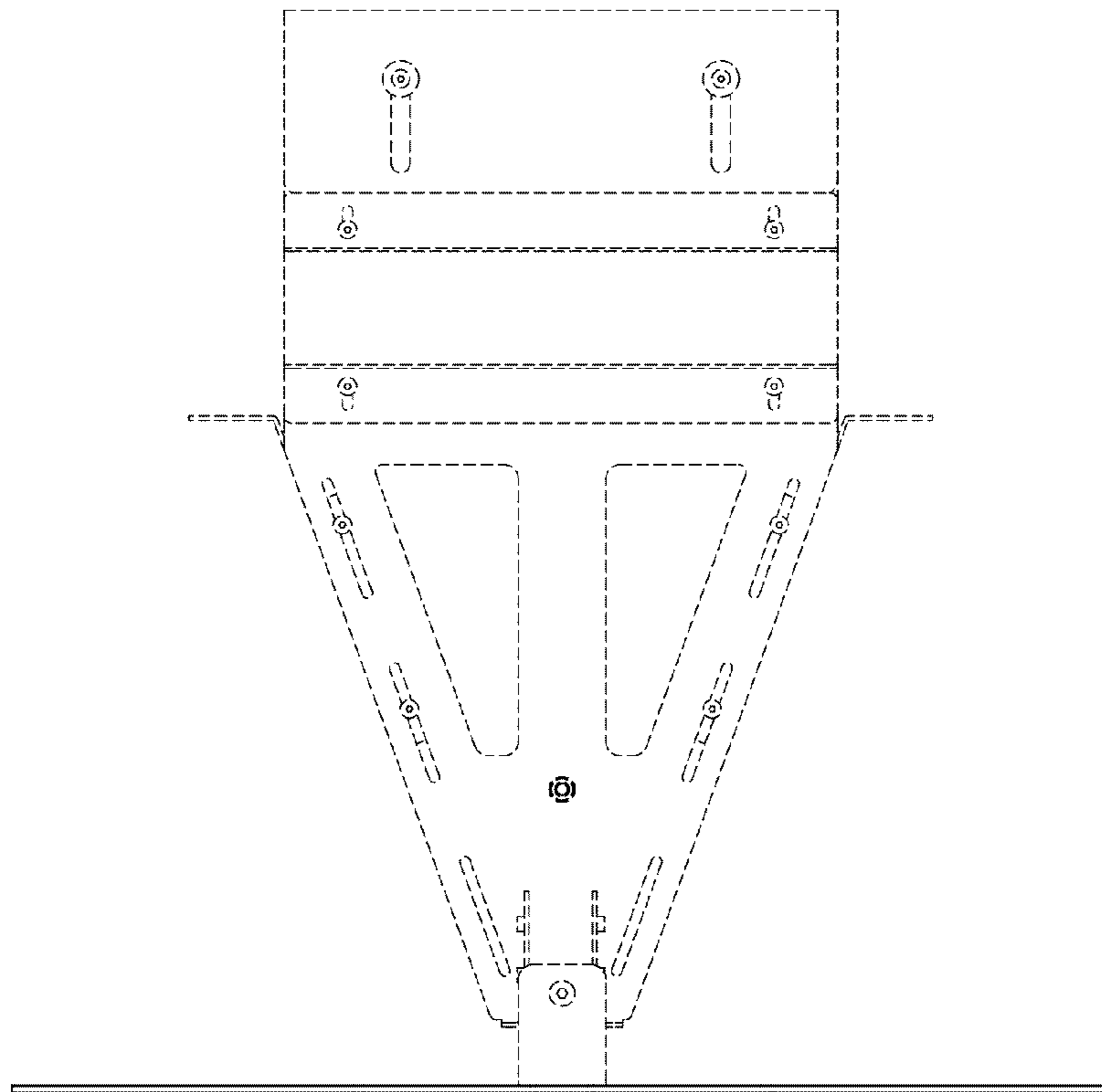


FIG. 9

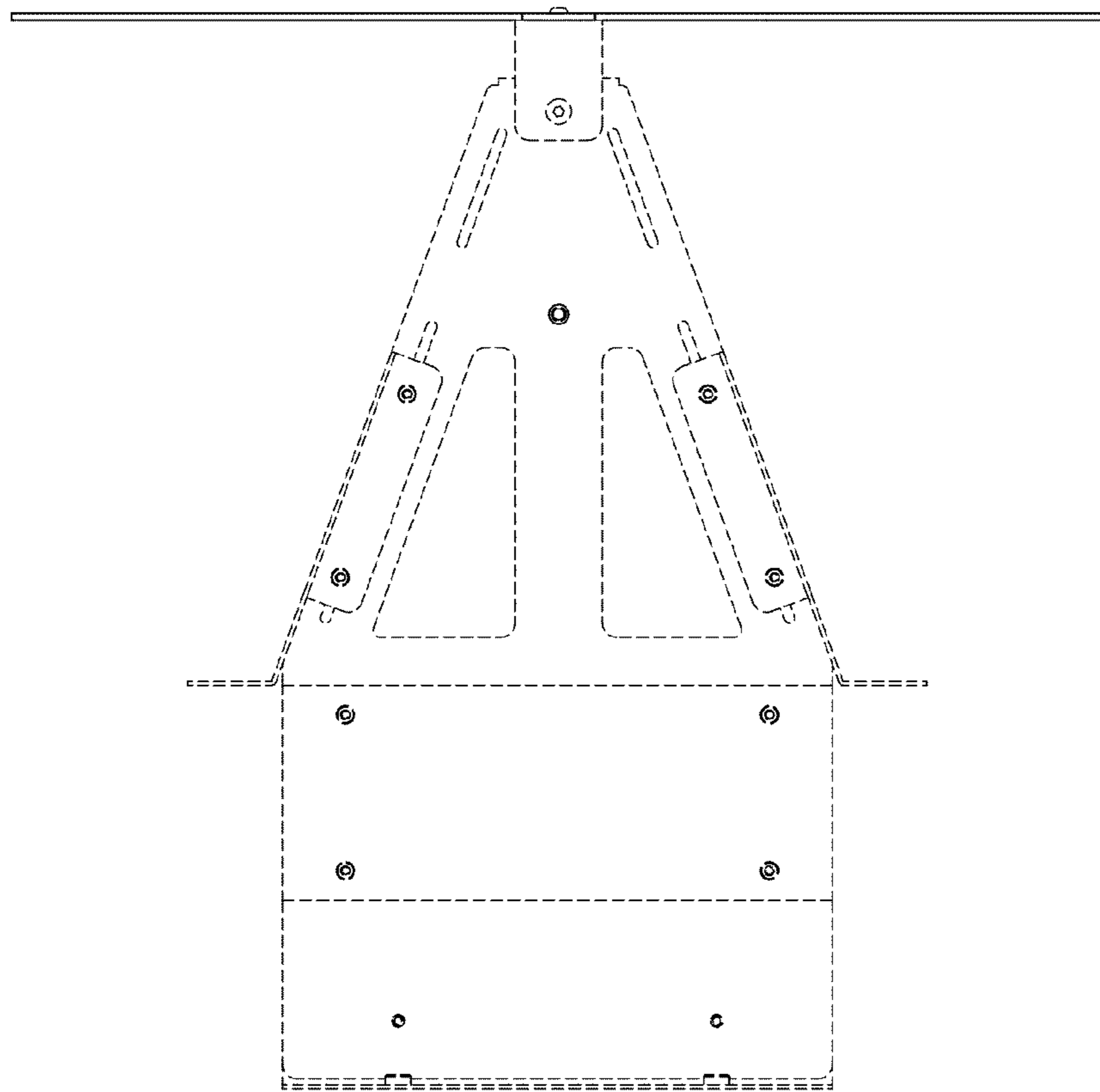


FIG. 10

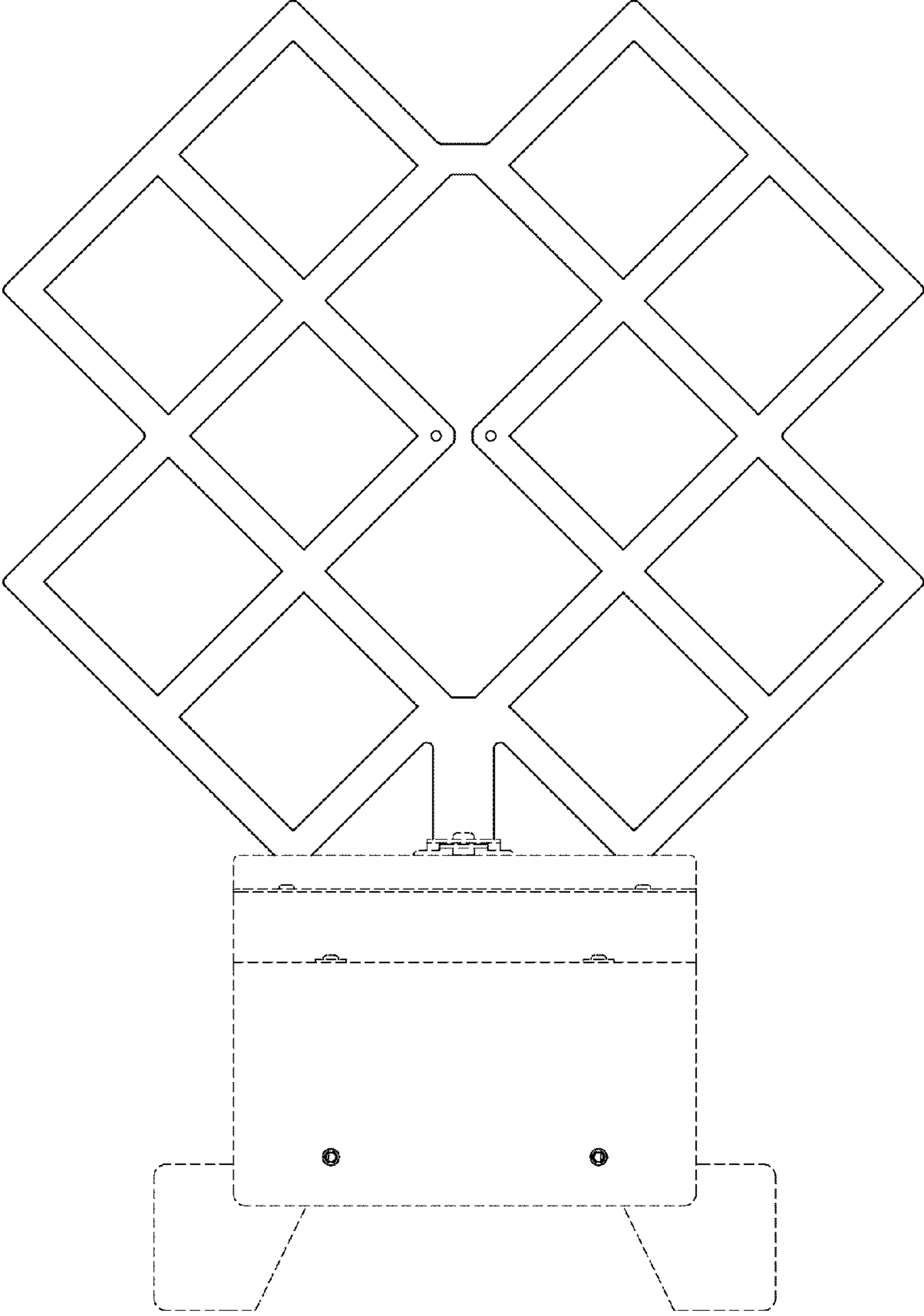


FIG. 11