



US00D713822S

(12) **United States Design Patent**  
**Paradise et al.**

(10) **Patent No.:** **US D713,822 S**  
(45) **Date of Patent:** **\*\* Sep. 23, 2014**

(54) **HEADSET FOR A COMMUNICATION DEVICE**

(Continued)

(71) Applicant: **Motorola Mobility LLC**, Libertyville, IL (US)

*Primary Examiner* — Paula Greene

(74) *Attorney, Agent, or Firm* — Gary J. Cunningham

(72) Inventors: **Michael F Paradise**, Chicago, IL (US);  
**Ju Hwan J Cho**, Seoul (KR);  
**Christopher B Houghton**, Chicago, IL (US);  
**Dickon Isaacs**, Chicago, IL (US);  
**Thin T Nguyen**, Suwanee, GA (US)

(57) **CLAIM**

The ornamental design for a headset for a communication device, as shown and described.

(73) Assignee: **Motorola Mobility LLC**, Chicago, IL (US)

**DESCRIPTION**

(\*\*) Term: **14 Years**

FIG. 1 is a front perspective view of a first embodiment of an ornamental design for a headset for a communication device; FIG. 2 is a rear perspective view of the first embodiment thereof;

(21) Appl. No.: **29/460,841**

FIG. 3 is a front view of the first embodiment thereof;

(22) Filed: **Jul. 16, 2013**

FIG. 4 is a rear view of the first embodiment thereof;

(51) **LOC (10) Cl.** ..... **14-01**

FIG. 5 is a first side view of the first embodiment thereof;

(52) **U.S. Cl.**

USPC ..... **D14/223**; D14/206

FIG. 6 is a second side view of the first embodiment thereof;

(58) **Field of Classification Search**

USPC ..... D14/223, 205, 206; 181/129, 130, 135;

FIG. 7 is a top view of the first embodiment thereof; and

379/430, 431; 381/380, 381; 455/90.3,

FIG. 8 is a bottom view of the first embodiment thereof.

455/575.1, 569.1

See application file for complete search history.

FIG. 9 is a front perspective view of a second embodiment of an ornamental design for a headset for a communication device;

(56) **References Cited**

**U.S. PATENT DOCUMENTS**

D461,791 S \* 8/2002 Ma ..... D14/206

D468,728 S \* 1/2003 Rath et al. .... D14/223

FIG. 10 is a rear perspective view of the second embodiment thereof;

(Continued)

FIG. 11 is a front view of the second embodiment thereof;

**OTHER PUBLICATIONS**

Michael F. Paradise, "Headset for a Communication Device", Aug. 7, 2012, U.S. Appl. No. 29/429,055.

FIG. 12 is a rear view of the second embodiment thereof;

FIG. 13 is a first side view of the second embodiment thereof;

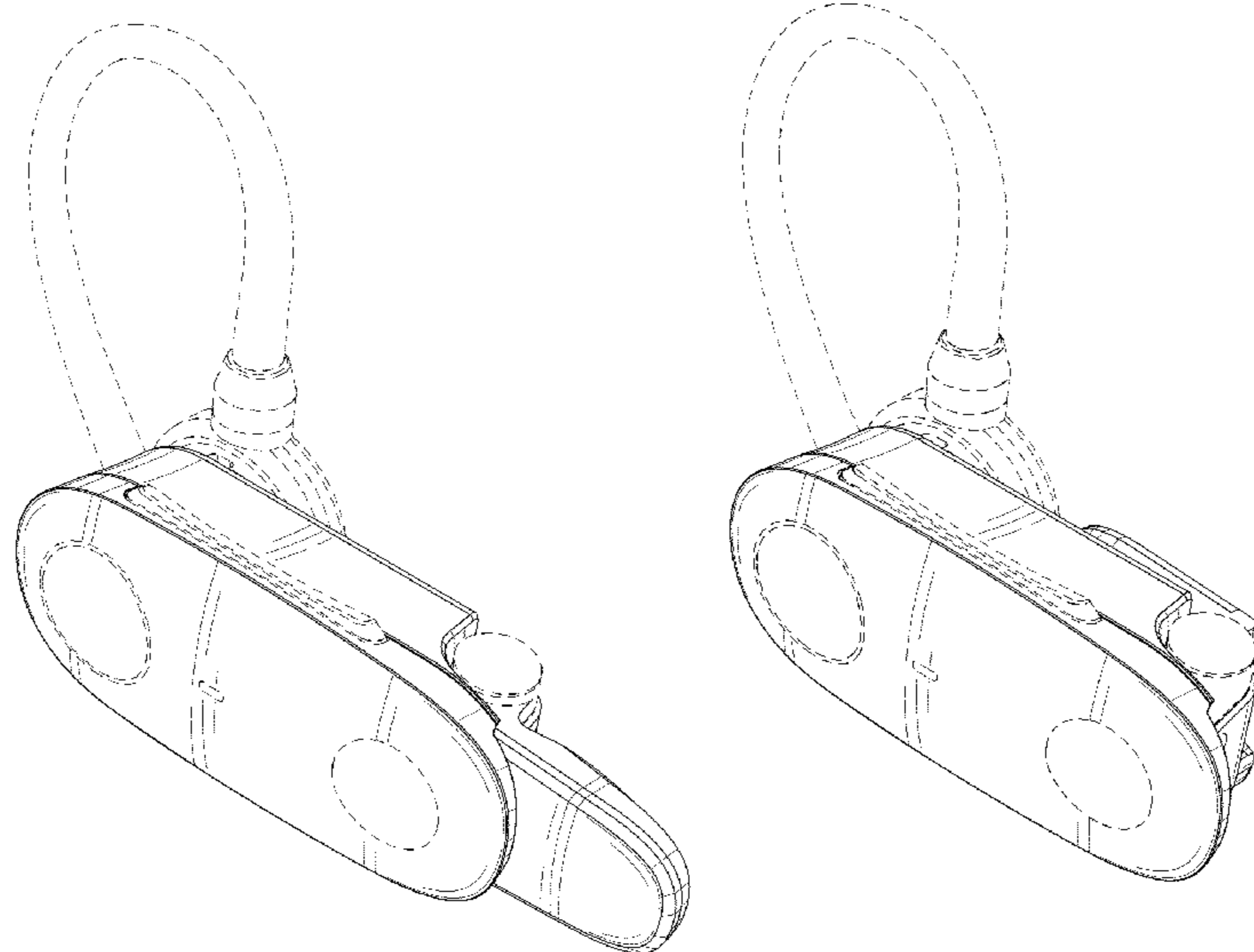
FIG. 14 is a second side view of the second embodiment thereof;

FIG. 15 is a top view of the second embodiment thereof; and,

FIG. 16 is a bottom view of the second embodiment thereof.

The broken lines shown in FIGS. 1-16, that are immediately adjacent to the shaded areas, and define unshaded regions, represent the bounds of the first and second embodiments, while all other broken lines are directed to environment and are for illustrative purposes only; the broken lines form no part of the first and second embodiments.

**1 Claim, 10 Drawing Sheets**



(56)

**References Cited**

U.S. PATENT DOCUMENTS

D485,549 S \* 1/2004 Ma et al. .... D14/223  
 6,868,284 B2 \* 3/2005 Bae ..... 455/575.2  
 D541,262 S \* 4/2007 Ma ..... D14/223  
 D542,267 S \* 5/2007 Cha et al. .... D14/206  
 7,391,862 B2 \* 6/2008 Rath et al. .... 379/430  
 D584,285 S \* 1/2009 Xu et al. .... D14/206  
 D597,534 S \* 8/2009 Christopher ..... D14/223  
 7,646,879 B2 \* 1/2010 Huang ..... 381/375  
 D611,935 S \* 3/2010 Wikel et al. .... D14/223  
 D612,366 S \* 3/2010 Wikel et al. .... D14/223  
 D634,736 S \* 3/2011 Wikel et al. .... D14/223

D635,962 S \* 4/2011 Kelley ..... D14/223  
 7,995,746 B2 \* 8/2011 Rath et al. .... 379/433.01  
 8,090,135 B2 \* 1/2012 Lin ..... 381/381  
 8,238,597 B2 \* 8/2012 Van Der Beek et al. .... 381/380  
 D693,795 S \* 11/2013 Paradise et al. .... D14/223  
 D696,647 S \* 12/2013 Houghton et al. .... D14/223  
 2002/0021800 A1 \* 2/2002 Bodley et al. .... 379/430  
 2005/0058280 A1 \* 3/2005 Ma ..... 379/430

OTHER PUBLICATIONS

Christopher B. Houghton, "Headset for a Communication Device",  
 Oct. 9, 2012, U.S. Appl. No. 29/434,050.

\* cited by examiner

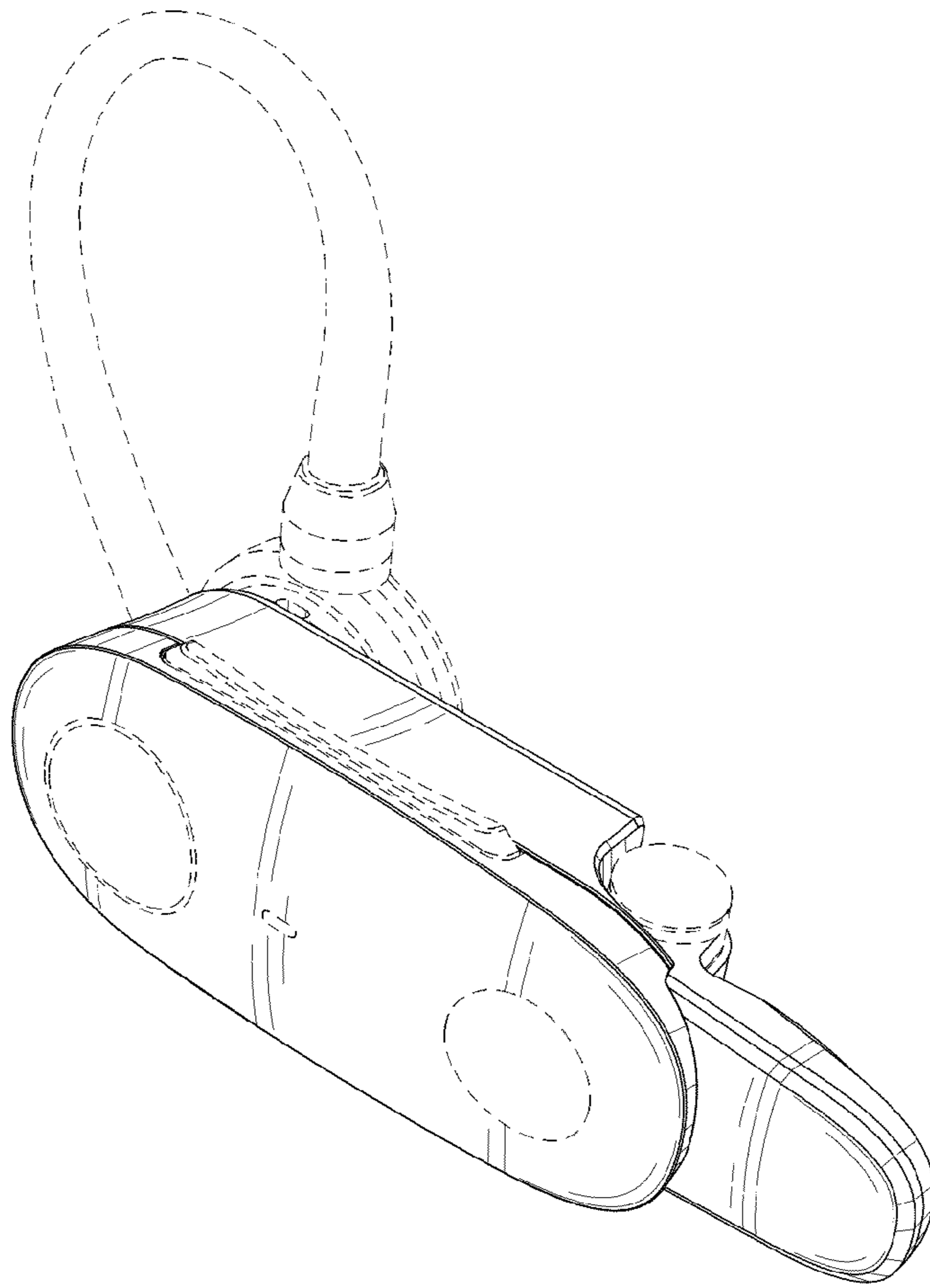


FIG. 1

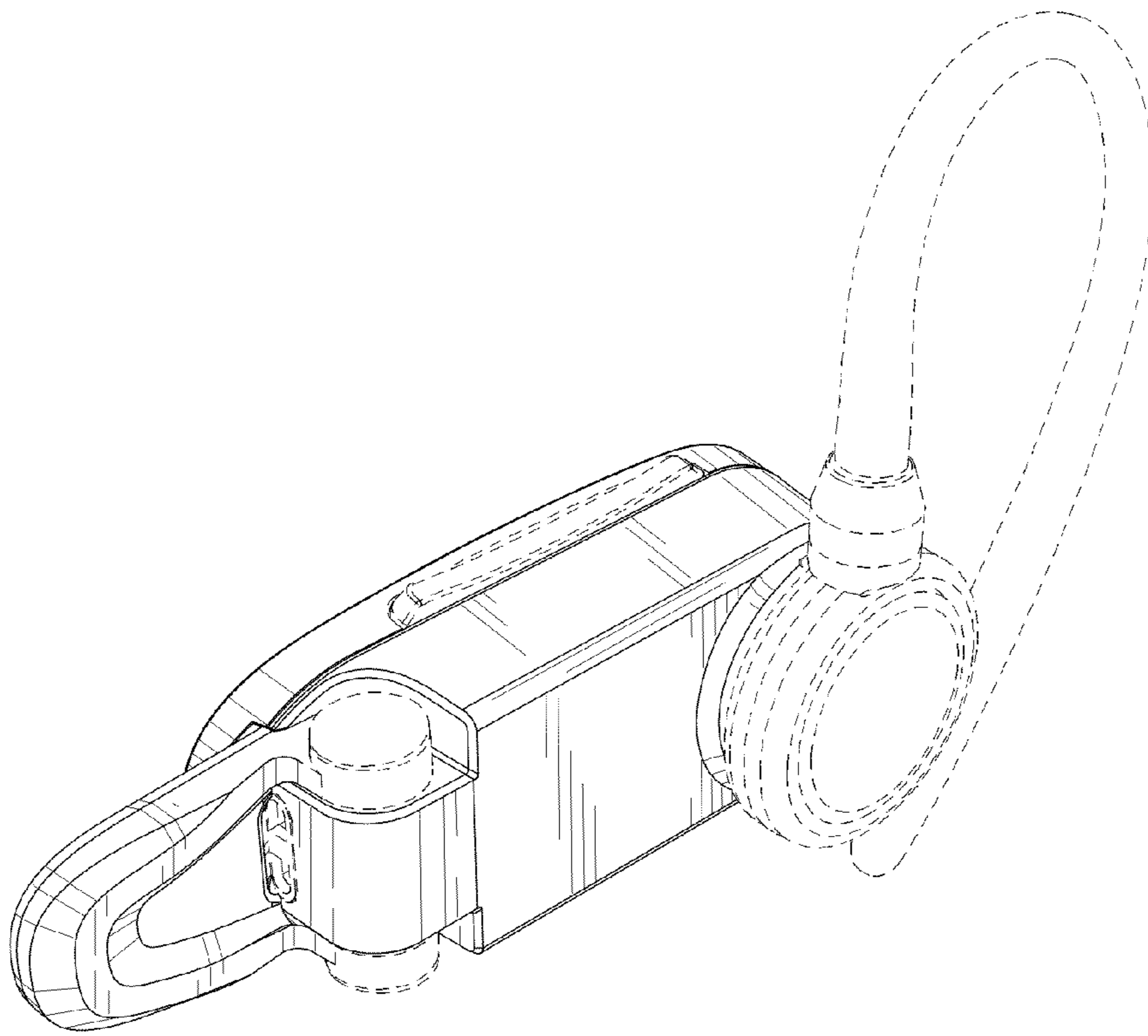


FIG. 2

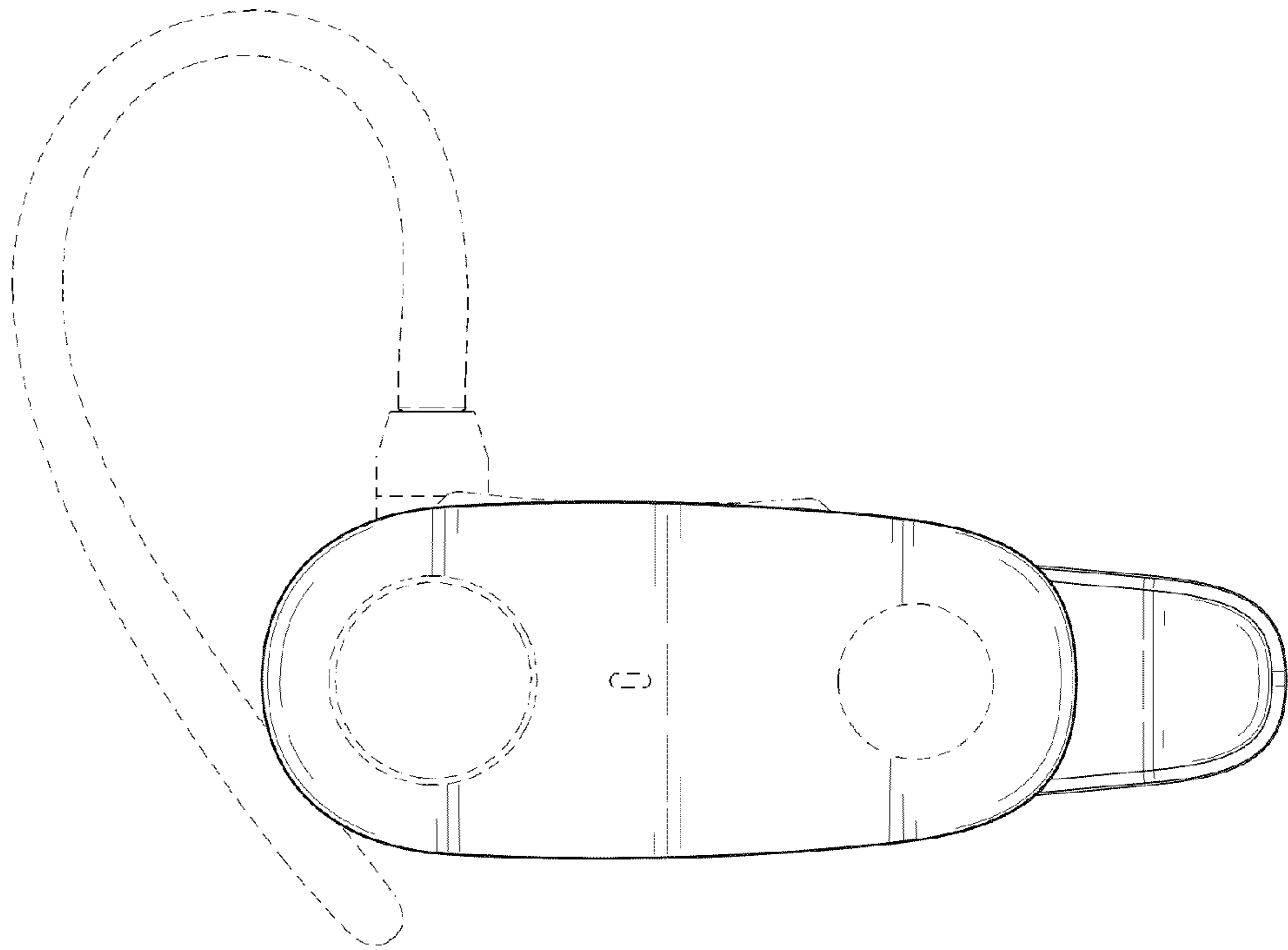


FIG. 3

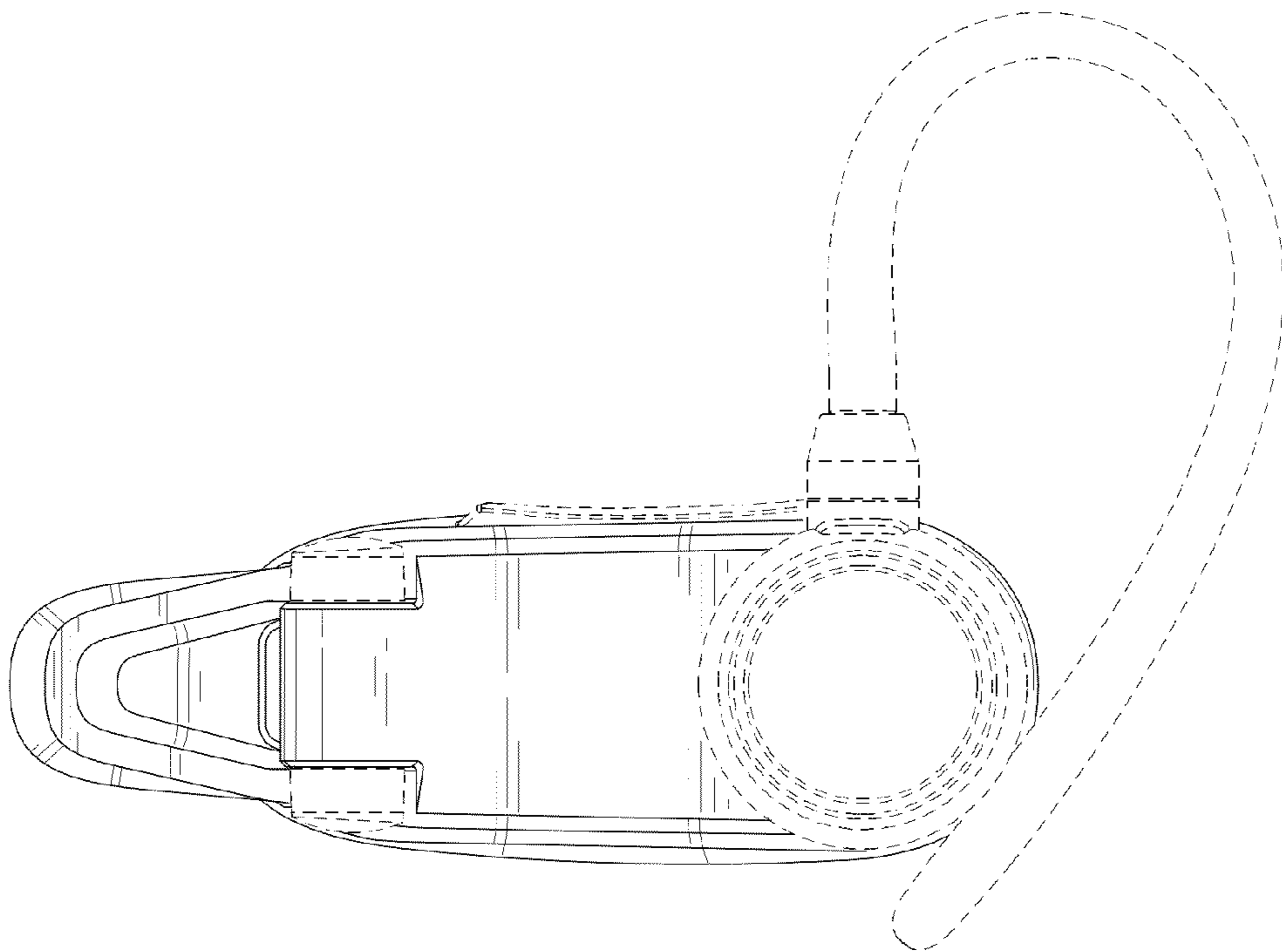


FIG. 4

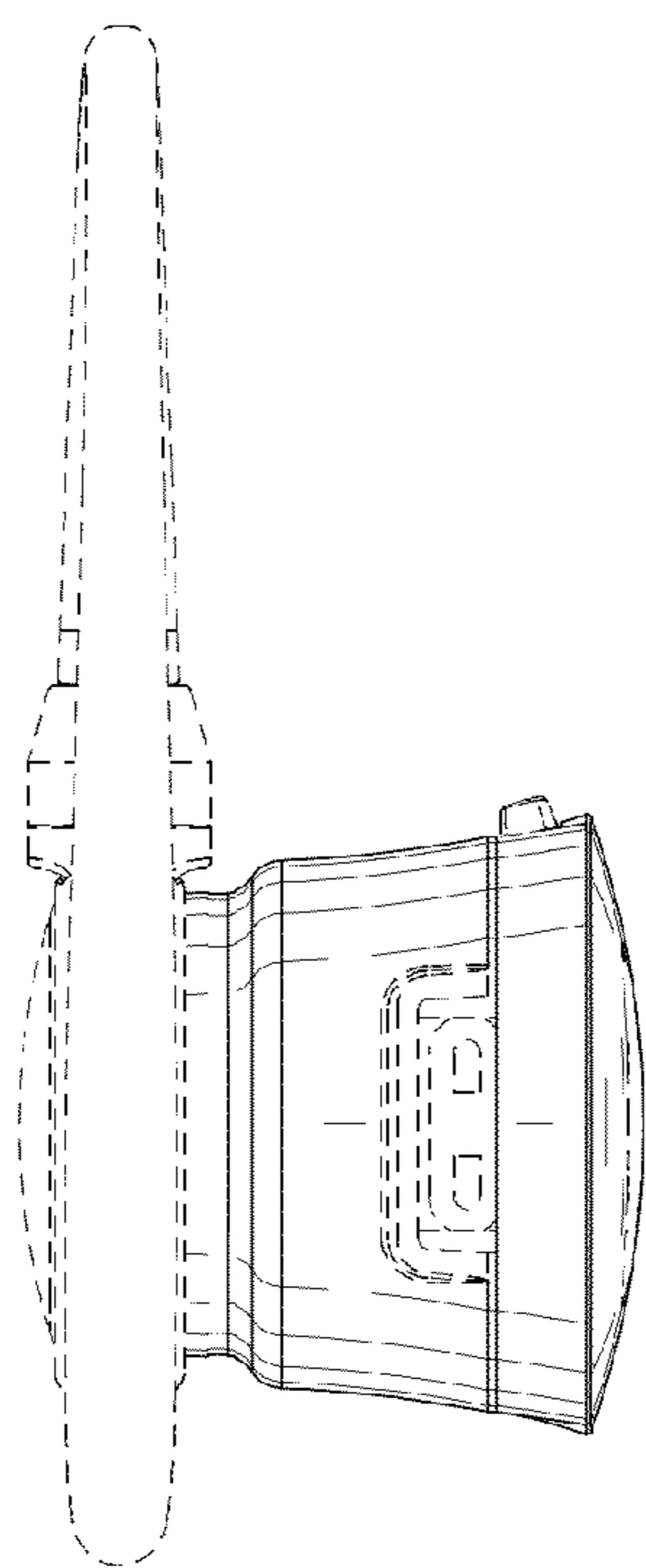


FIG. 5

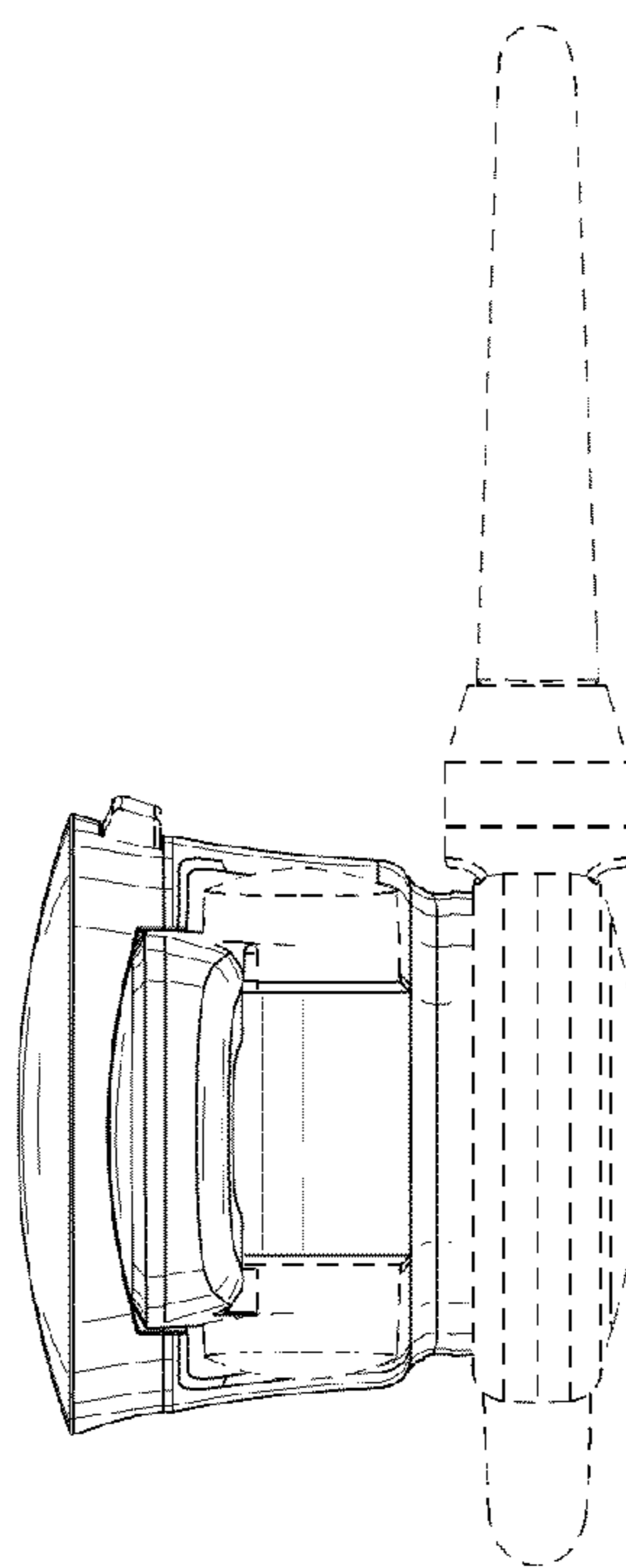


FIG. 6

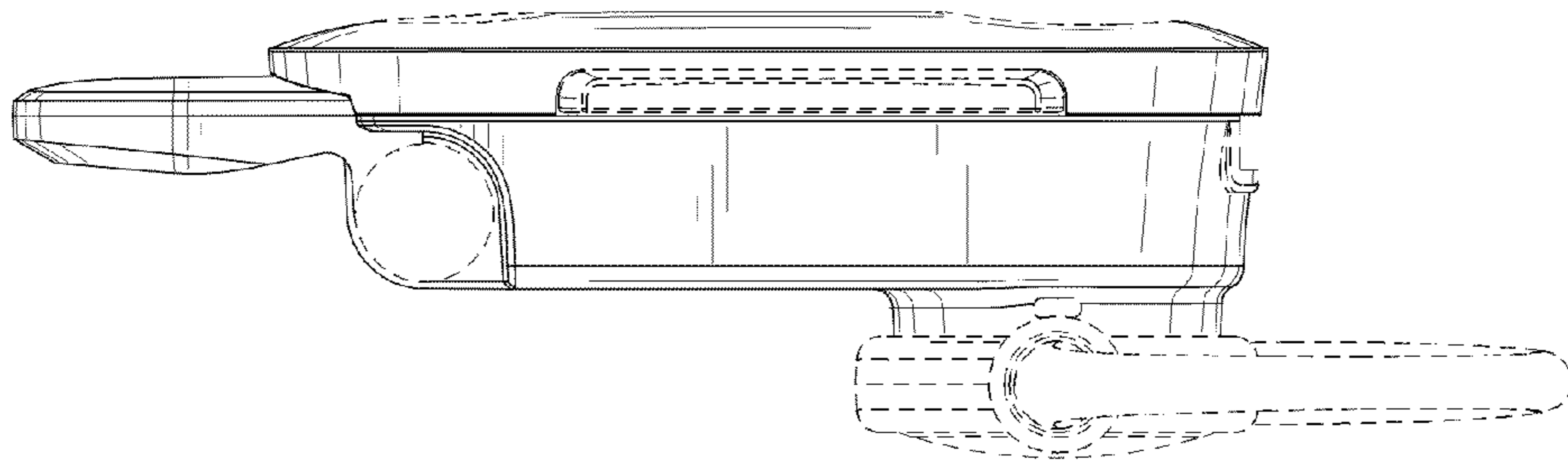


FIG. 7

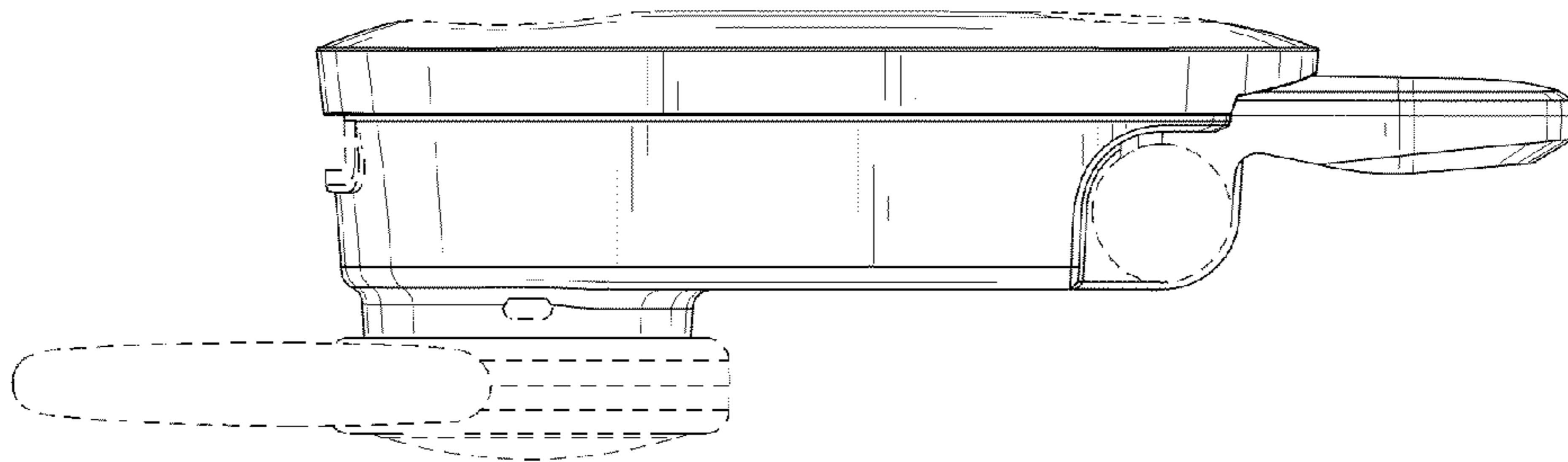


FIG. 8

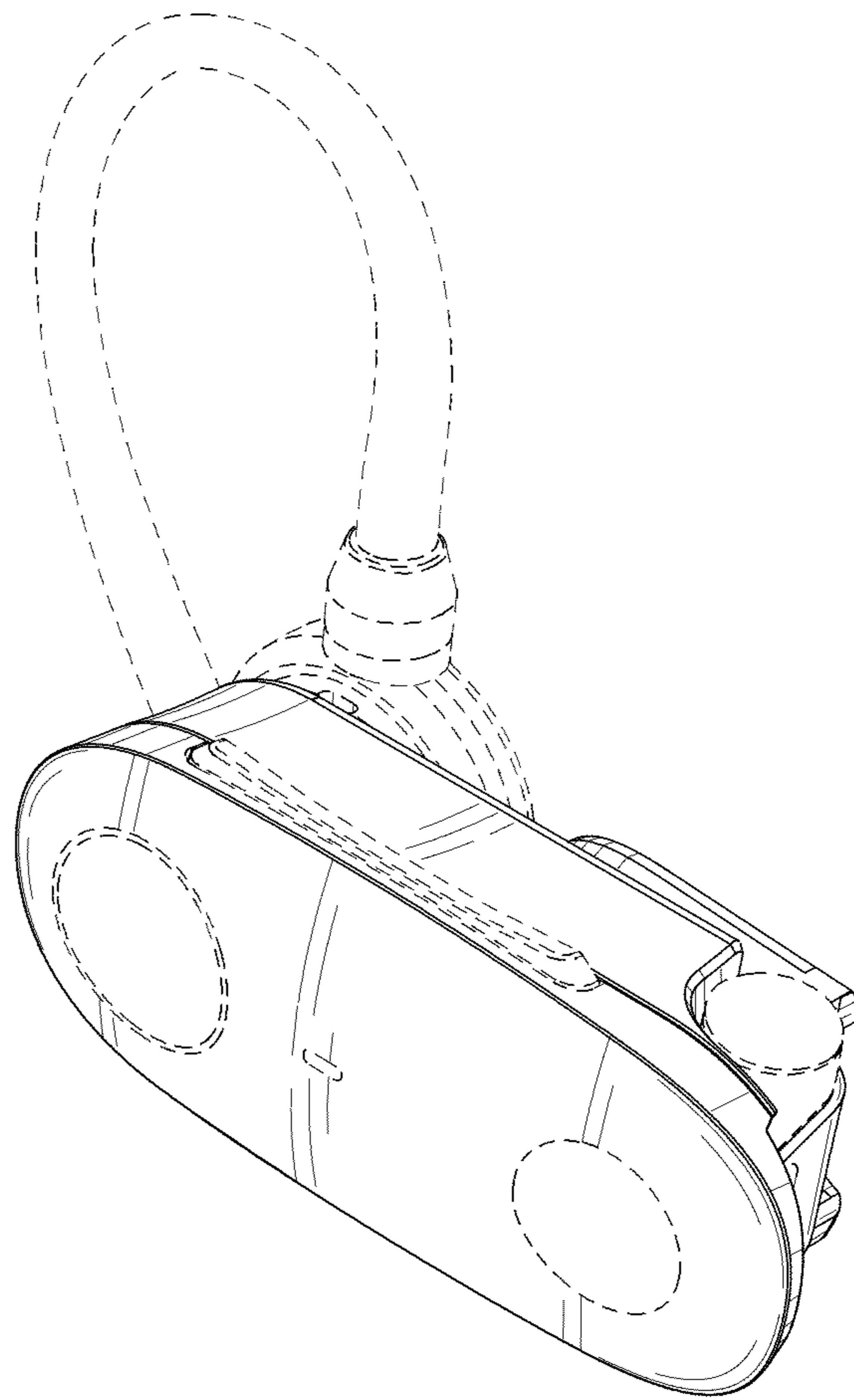


FIG. 9



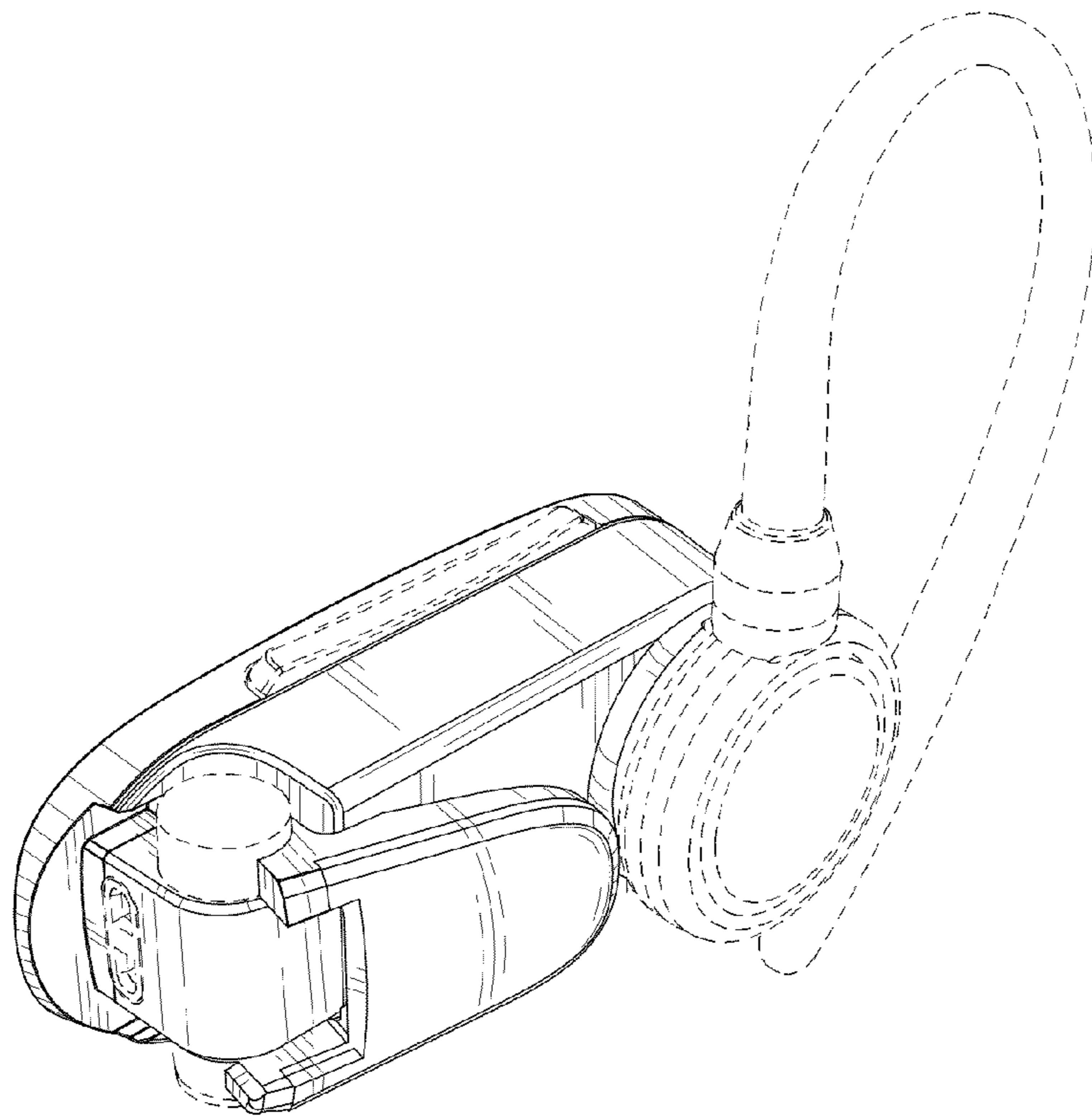


FIG. 10

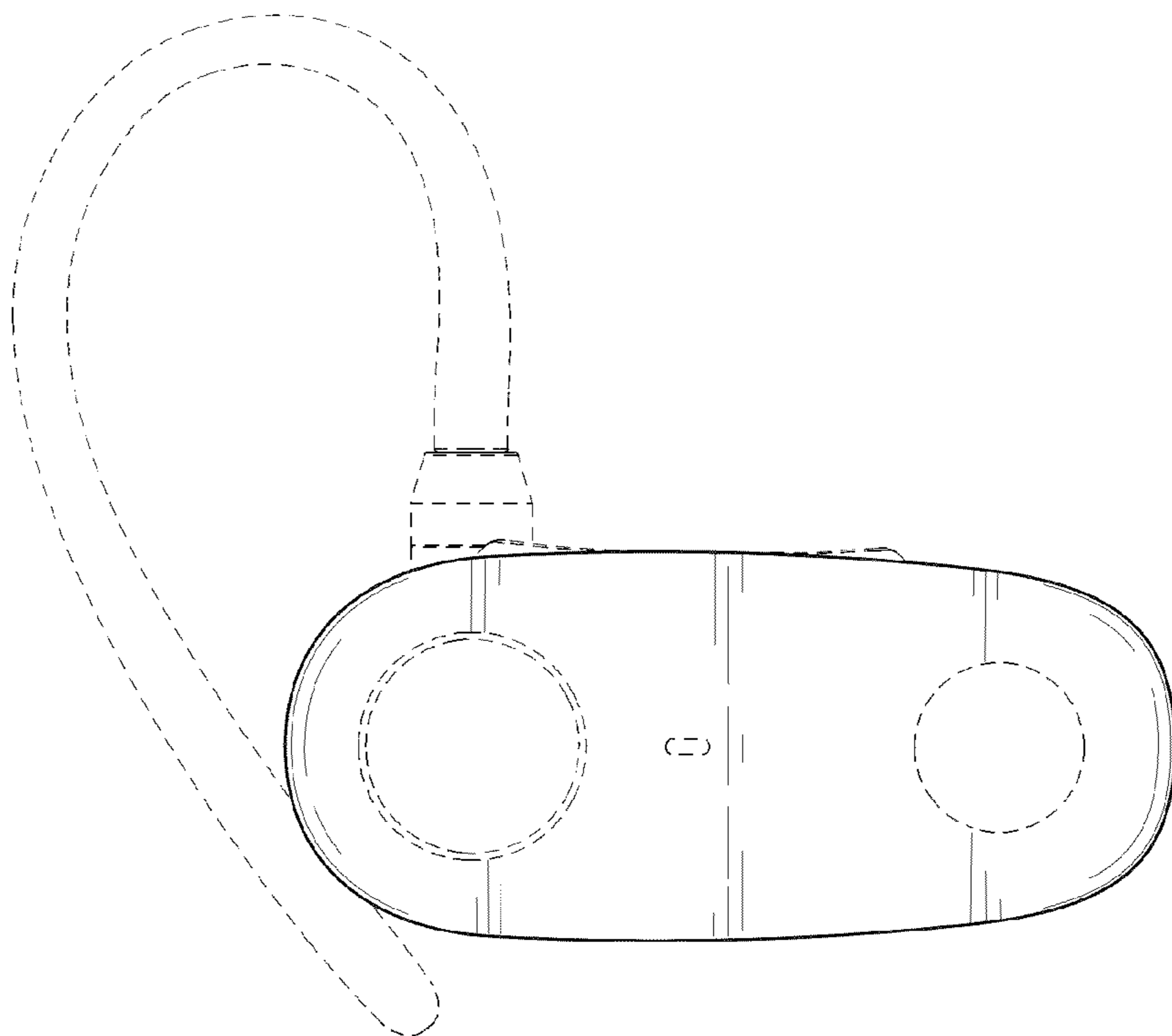


FIG. 11

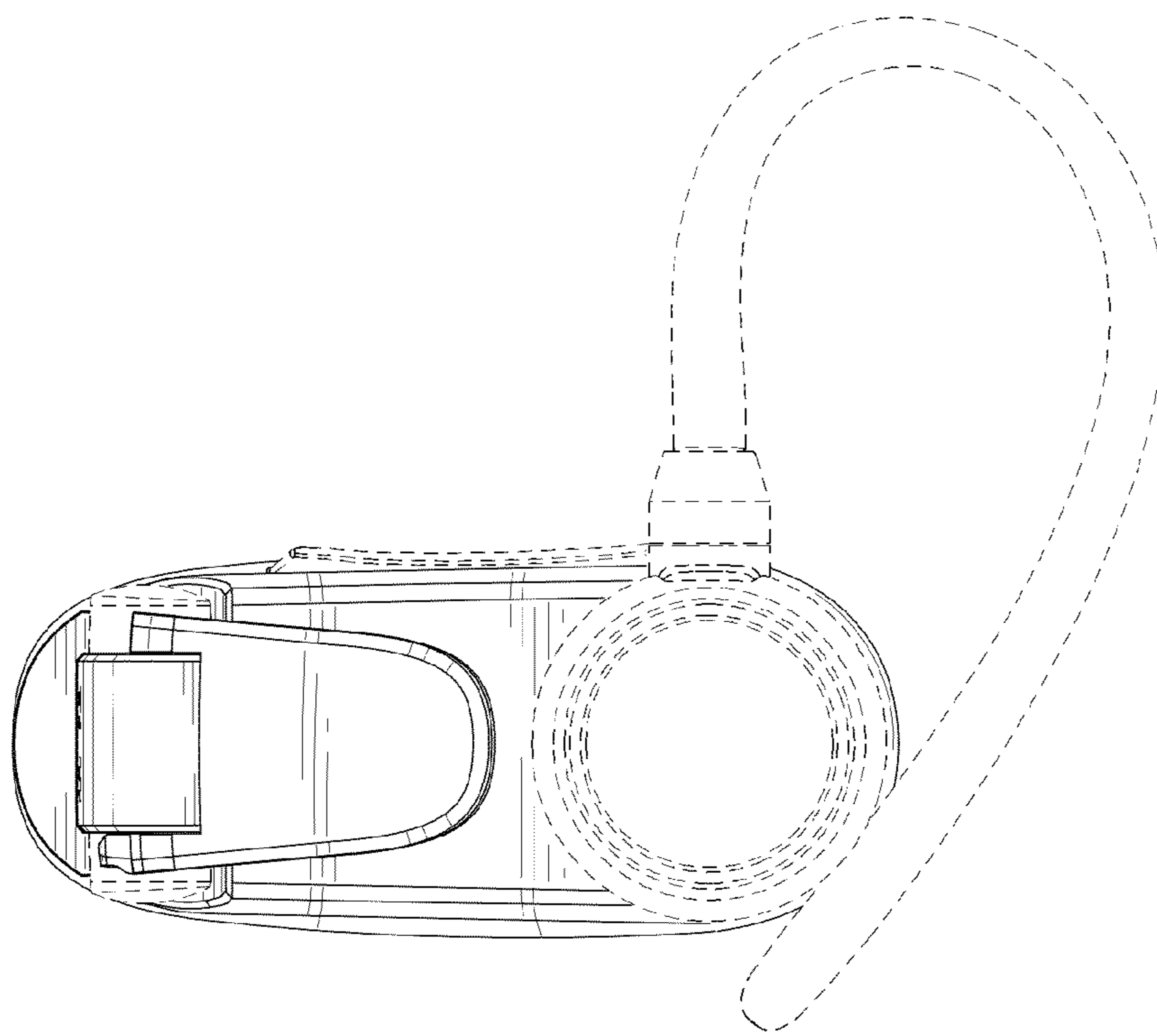


FIG. 12

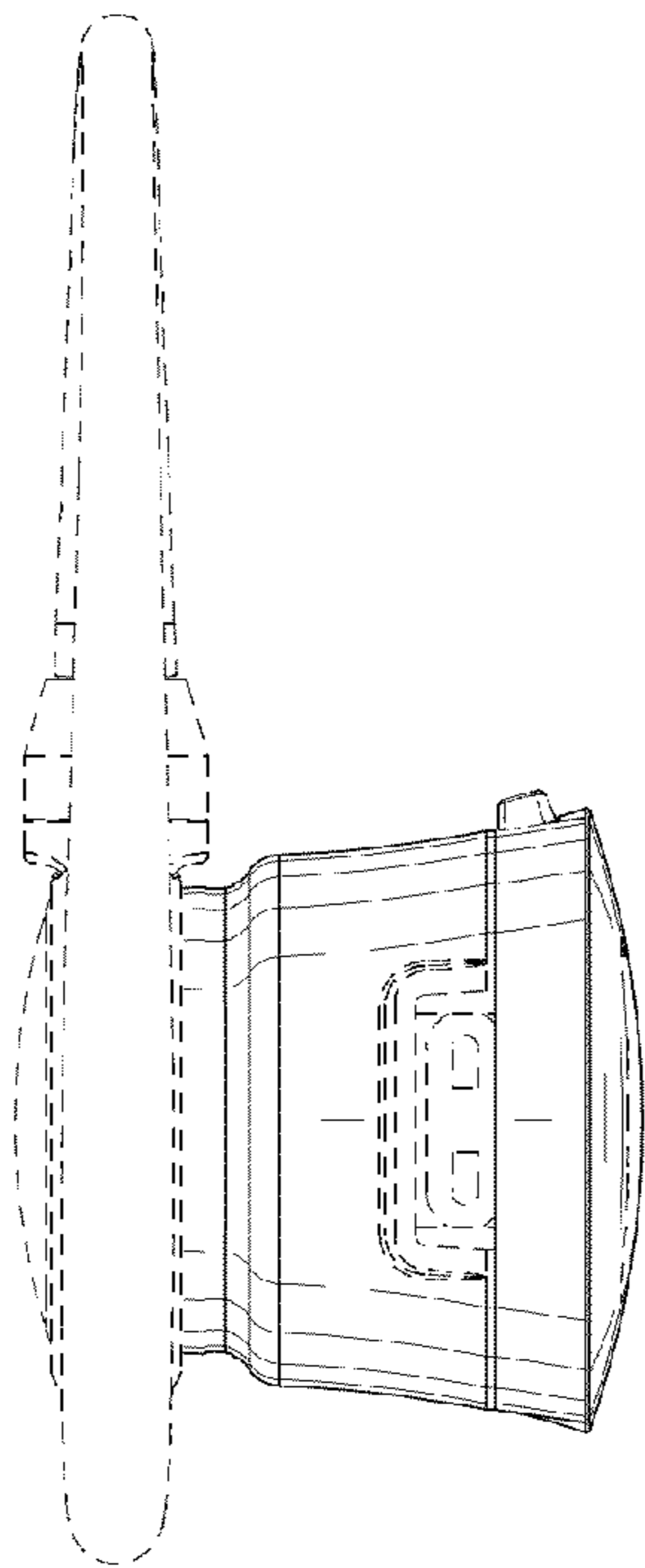


FIG. 13

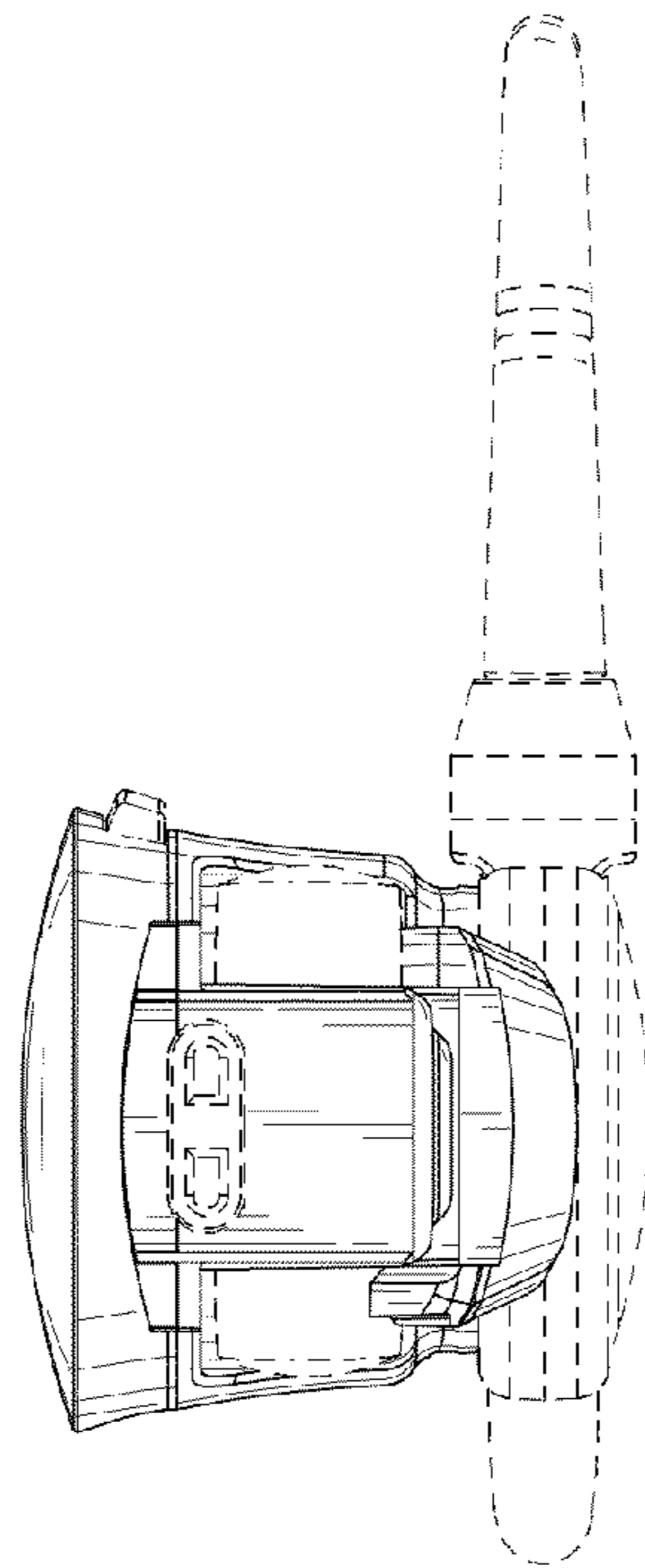


FIG. 14

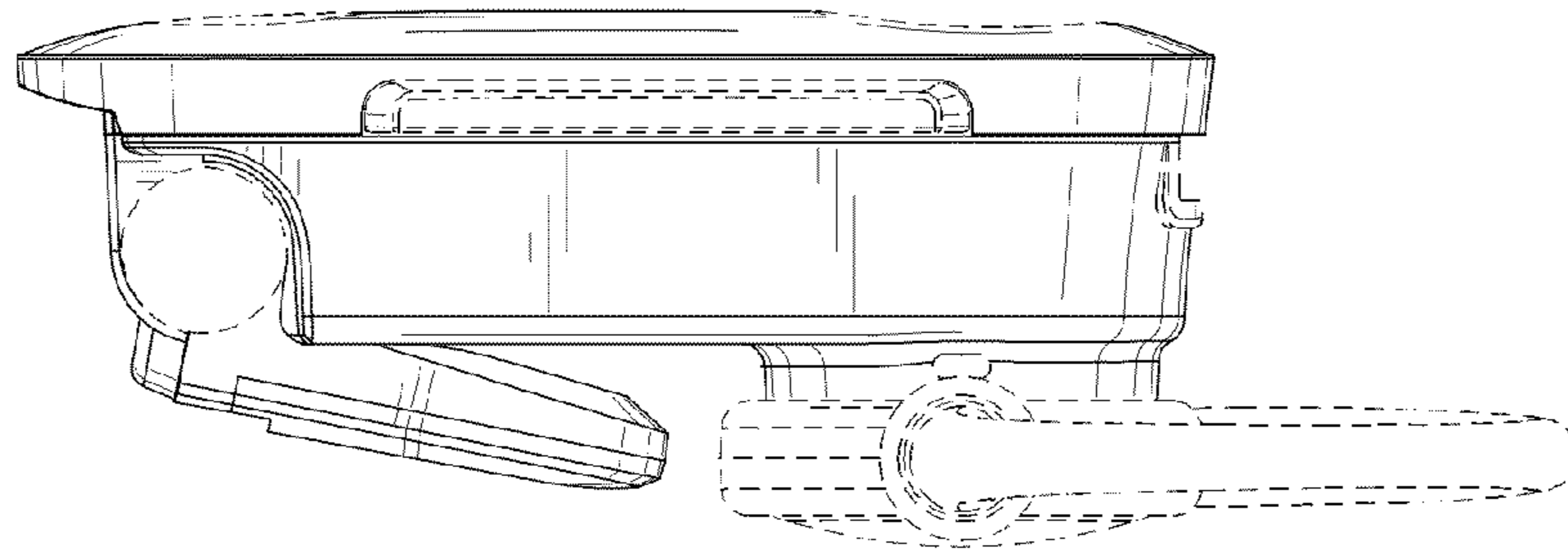


FIG. 15

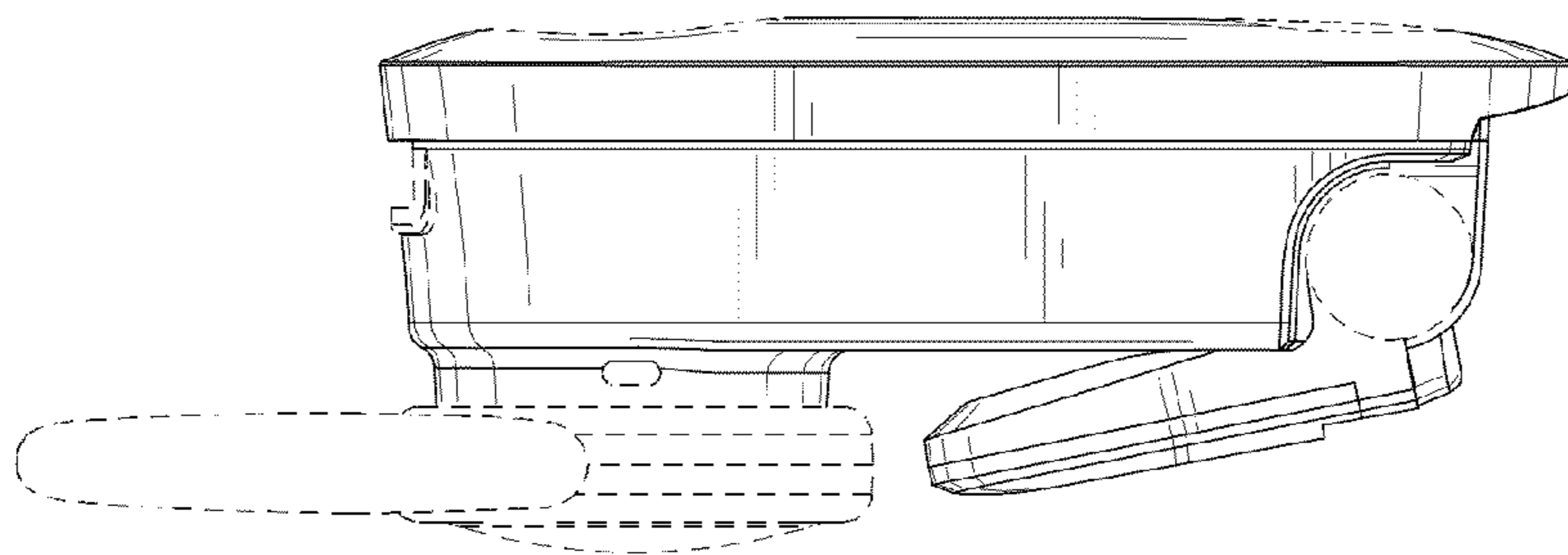


FIG. 16