



US00D713821S

(12) **United States Design Patent**  
**Hyde et al.**

(10) **Patent No.:** **US D713,821 S**  
(45) **Date of Patent:** **\*\* Sep. 23, 2014**

(54) **LOUDSPEAKER REAR COVER**

(56) **References Cited**

(71) Applicant: **Harman International Industries, Incorporated**, Northridge, CA (US)

U.S. PATENT DOCUMENTS

(72) Inventors: **Ralph Hyde**, Santa Clarita, CA (US);  
**Tony Hidalgo**, Sylmar, CA (US)

4,143,249	A *	3/1979	Cinquino	381/389
4,836,327	A *	6/1989	Andrews et al.	181/152
5,073,948	A *	12/1991	Vandersteen	381/433
D448,360	S *	9/2001	Ballard et al.	D14/224
D483,744	S *	12/2003	Vosse	D14/224
6,694,805	B2 *	2/2004	Shiotani et al.	73/105
D578,113	S *	10/2008	Yagihashi	D14/224
D579,920	S *	11/2008	Lazzeroni et al.	D14/219
D615,532	S *	5/2010	Dodd et al.	D14/221
8,175,321	B2 *	5/2012	Bryant et al.	381/423
D674,375	S *	1/2013	Robineau	D14/221
D691,598	S *	10/2013	Fuller	D14/224

(73) Assignee: **Harman International Industries, Incorporated**, Northridge, CA (US)

(\*\*) Term: **14 Years**

(21) Appl. No.: **29/460,408**

\* cited by examiner

(22) Filed: **Jul. 10, 2013**

*Primary Examiner* — Prabhakar Deshmukh

(51) **LOC (10) Cl.** ..... **14-01**

(74) *Attorney, Agent, or Firm* — Plumsea Law Group, LLC

(52) **U.S. Cl.**  
USPC ..... **D14/221**; D14/224

(57) **CLAIM**

(58) **Field of Classification Search**  
CPC ..... H04R 1/02; H04R 1/023; H04R 1/026;  
H04R 3/00; H04R 9/06; H04R 11/02; H04R  
19/02

The ornamental design for a loudspeaker rear cover, as shown and described.

**DESCRIPTION**

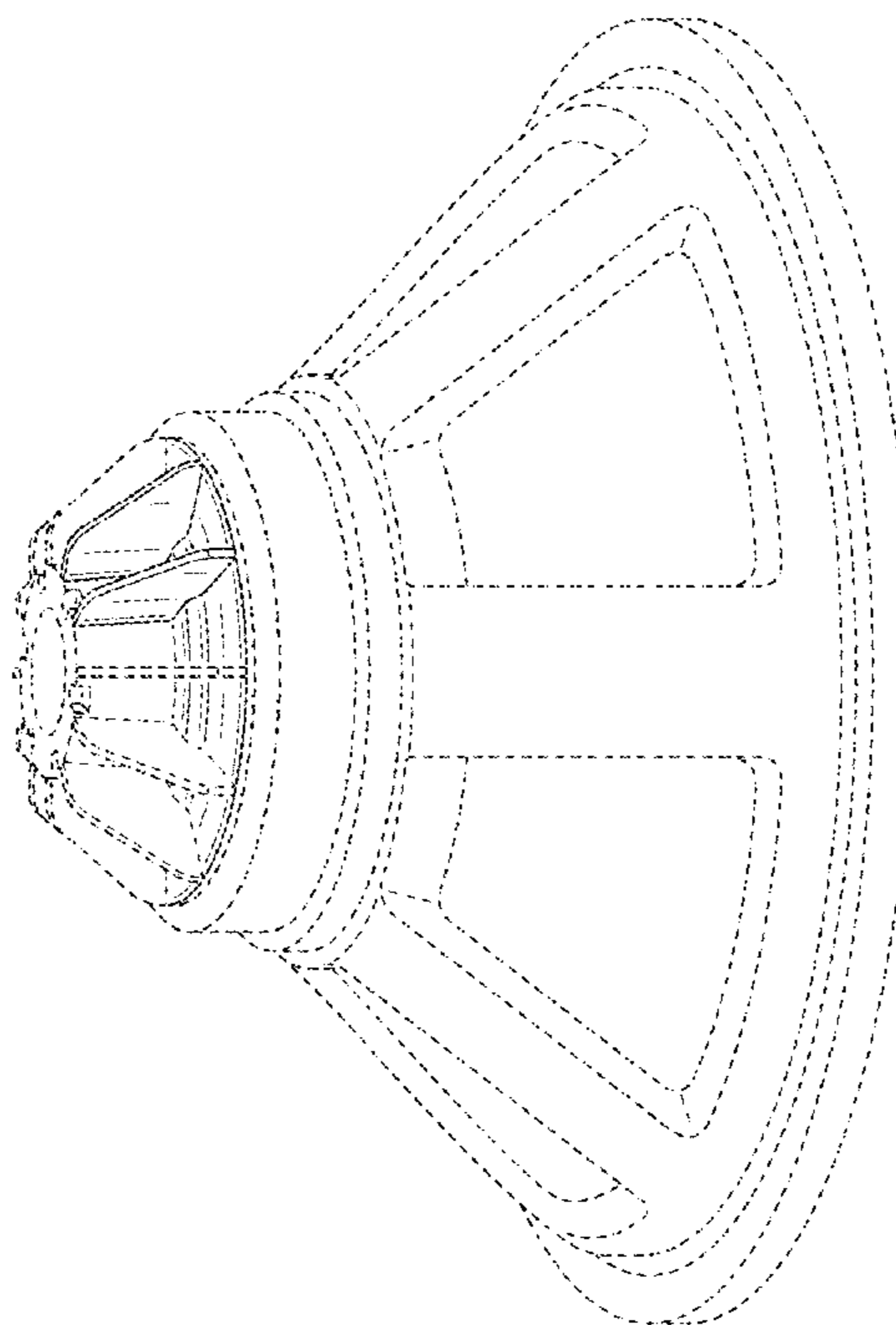
USPC ..... D14/204, 218, 172, 210–216, 209.1,  
D14/496, 497, 137, 168, 181, 185, 188, 299,  
D14/203.1–203.8, 221–224; 181/143, 147,  
181/148, 150, 153, 157, 198, 199, 166,  
181/144; 381/300–303, 306, 332, 333, 336,  
381/345, 361–364, 370, 386–388;  
455/344–351; 84/609–614, 634–638;  
434/307 A, 307 R, 309, 318; 352/1,  
352/6–10

FIG. 1 is a perspective view of a loudspeaker rear cover showing our new design viewed from the right; FIG. 2 is a top plan view thereof; FIG. 3 is a side elevational view thereof; FIG. 4 is another side elevational view thereof; and, FIG. 5 is an enlarged cross-section view thereof taken along line 5-5 of FIG. 4.

The broken lines showing part of the loudspeaker rear cover and the remainder of the loudspeaker indicate unclaimed portions and form no part of the claimed design.

See application file for complete search history.

**1 Claim, 5 Drawing Sheets**



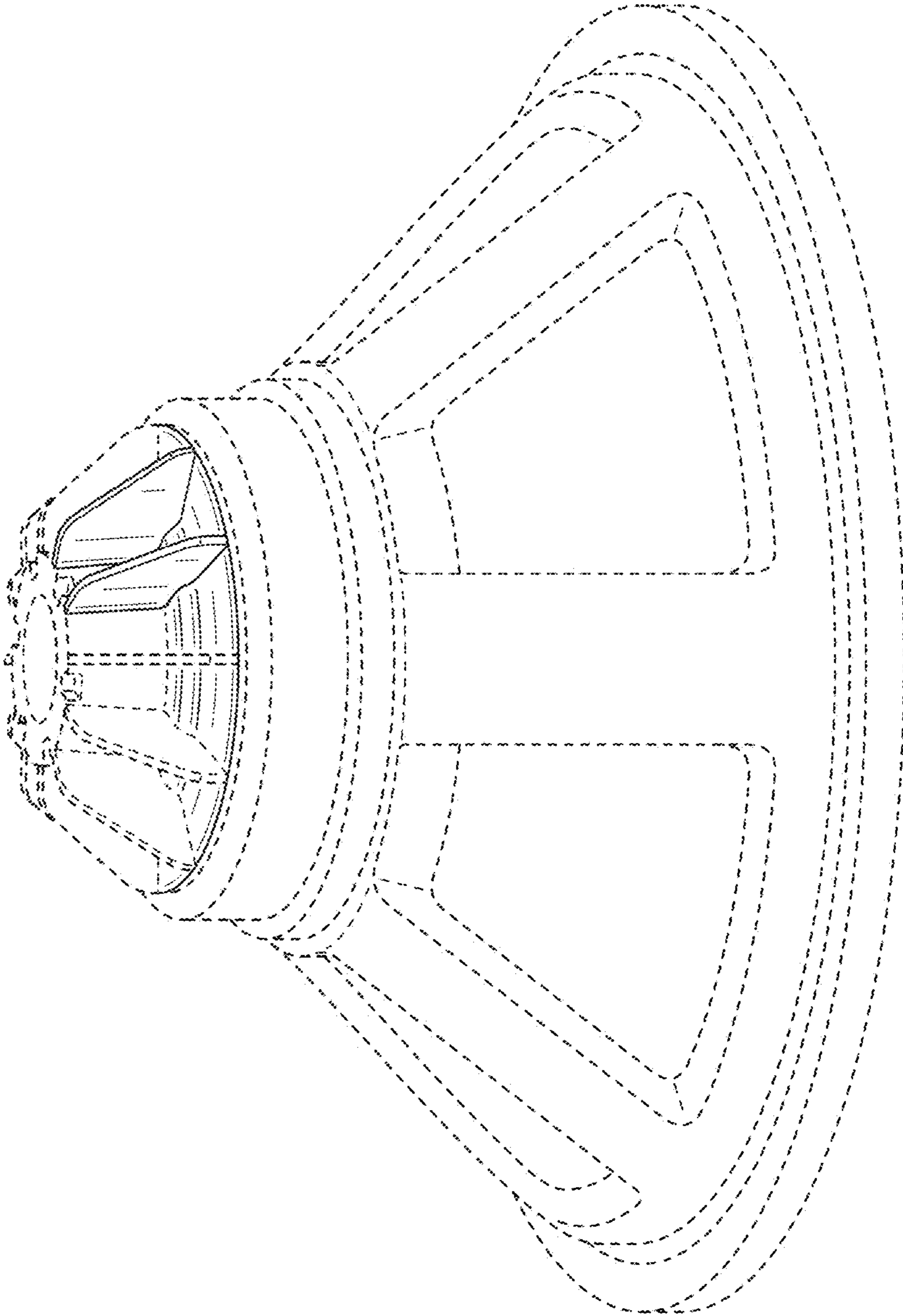


FIG. 1

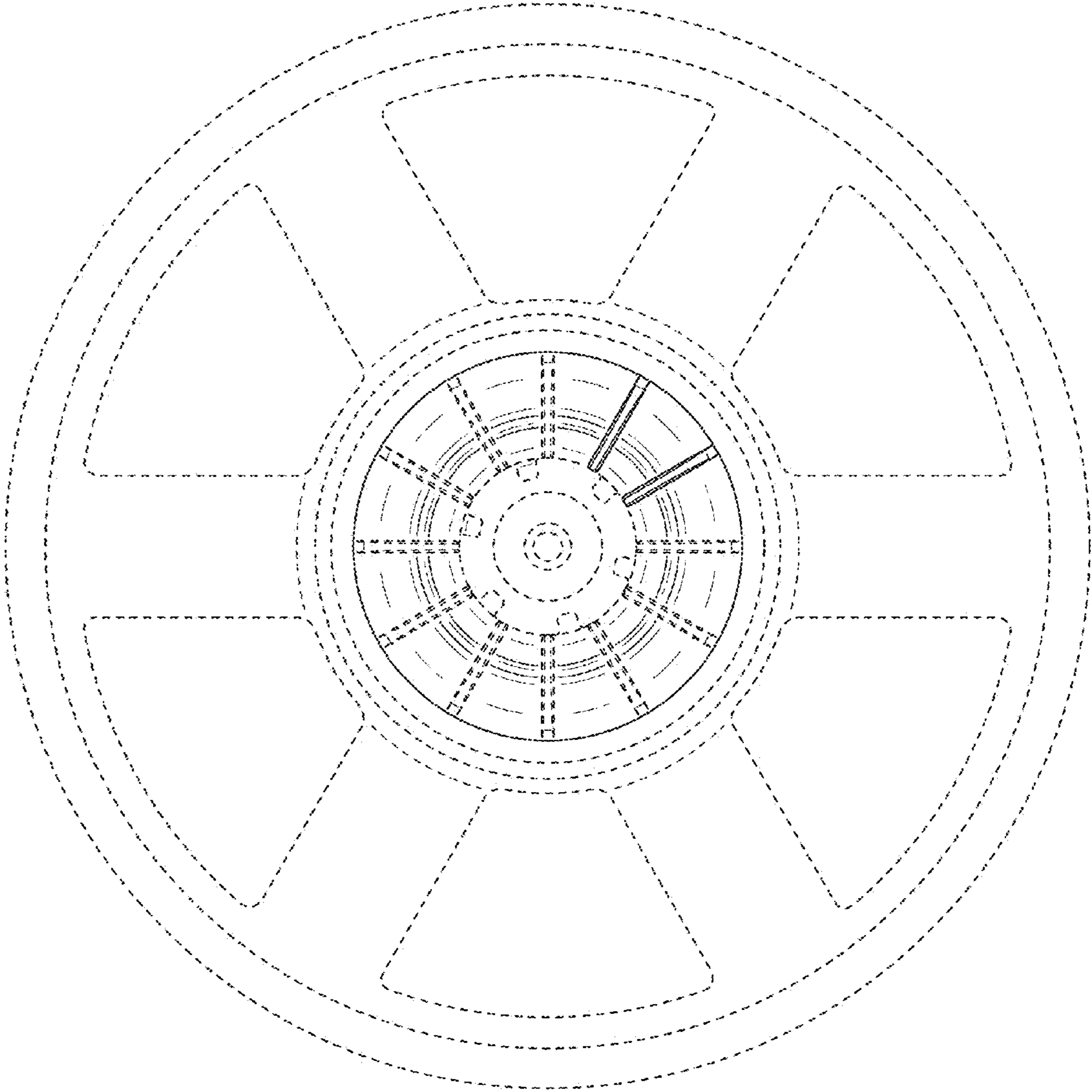
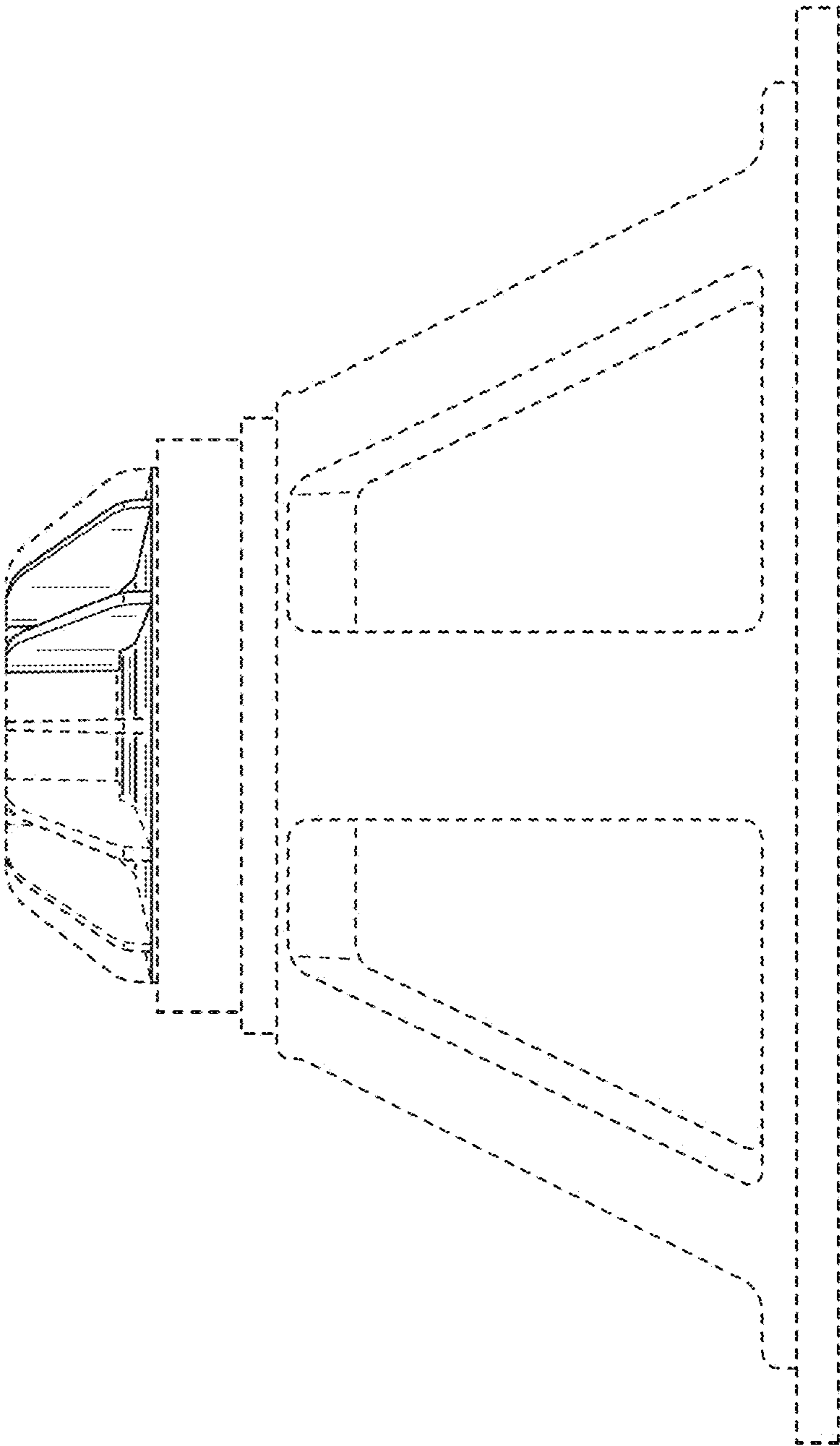


FIG. 2



**FIG. 3**

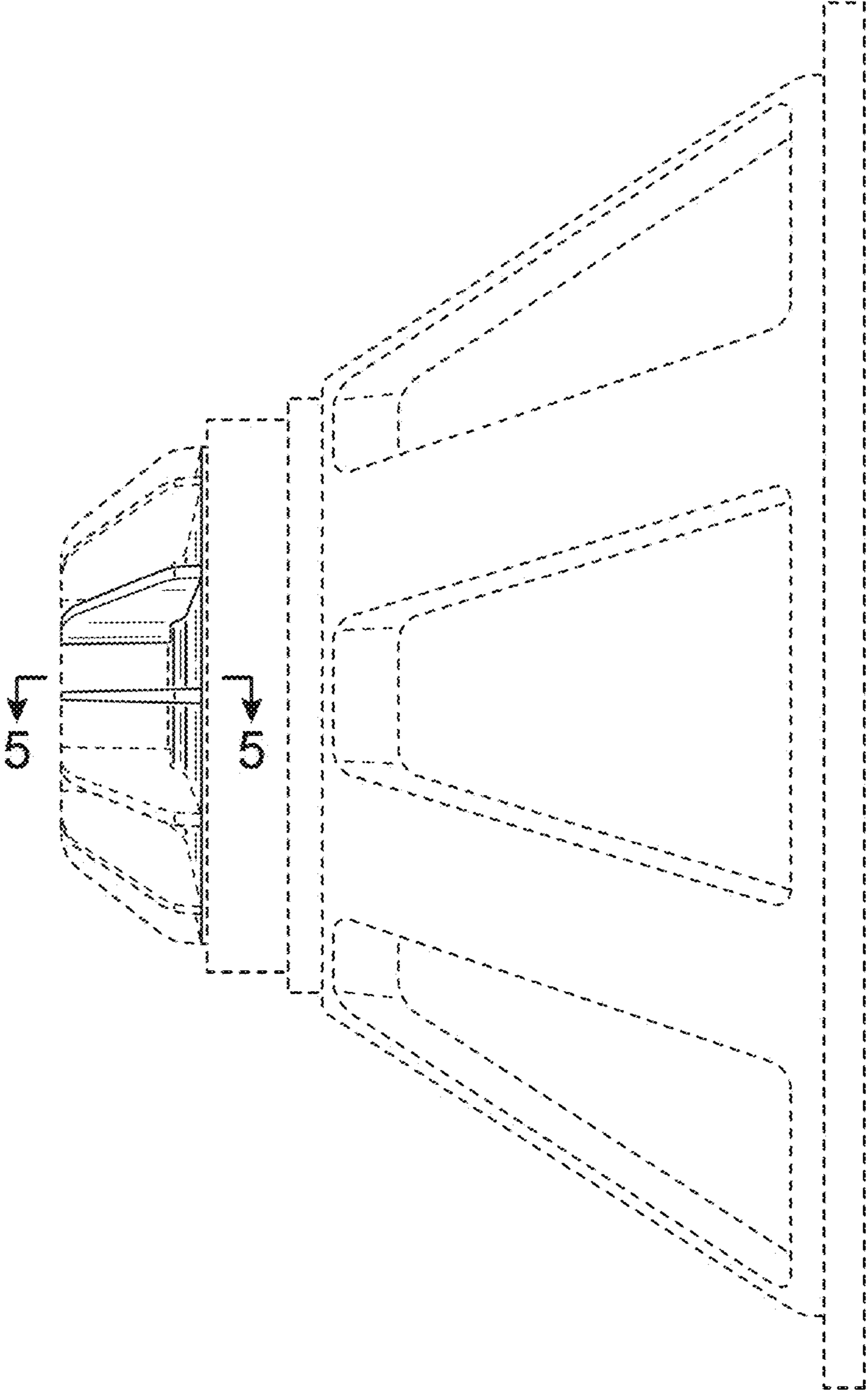


FIG. 4



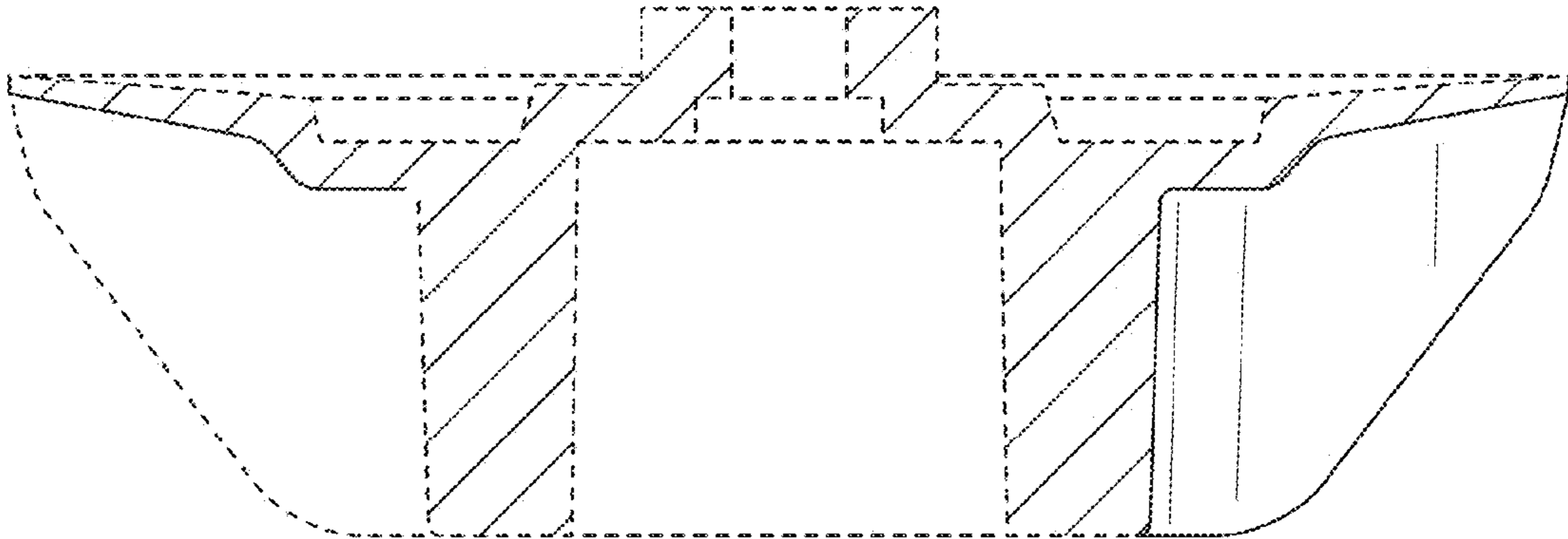


FIG. 5