

US00D713820S

(12) **United States Design Patent**  
**O'Neil**

(10) **Patent No.:** **US D713,820 S**

(45) **Date of Patent:** **\*\* Sep. 23, 2014**

- (54) **REMOTE CONTROLLER**
- (71) Applicant: **Microsoft Corporation**, Redmond, WA (US)
- (72) Inventor: **Dan O'Neil**, Sammamish, WA (US)
- (73) Assignee: **Microsoft Corporation**, Redmond, WA (US)
- (\*\*) Term: **14 Years**
- (21) Appl. No.: **29/482,163**
- (22) Filed: **Feb. 14, 2014**
- (51) **LOC (10) Cl.** ..... **14-03**
- (52) **U.S. Cl.**  
USPC ..... **D14/218**
- (58) **Field of Classification Search**  
USPC ..... D14/218, 455; D13/168; D21/566;  
D10/104, 106; 345/169; 348/14.05,  
348/114, 211.99, 734; 340/825.24; 341/22;  
455/92, 95, 128, 151.1-151.4, 352,  
455/355, FOR. 121; 700/65  
See application file for complete search history.

D580,914 S *	11/2008	Tsao	.....	D14/218
D582,895 S	12/2008	Frazer		
D584,291 S *	1/2009	Tsao	.....	D14/218
D594,850 S	6/2009	Yan		
D614,605 S *	4/2010	Teh et al.	.....	D14/218
D622,703 S	8/2010	Cheng Teh et al.		
D628,986 S	12/2010	VanDuyn et al.		
D630,189 S	1/2011	Daniels et al.		
D633,478 S *	3/2011	Bolton	.....	D14/218
D634,734 S	3/2011	Cho		
D638,825 S	5/2011	VanDuyn et al.		
D640,669 S *	6/2011	Cho et al.	.....	D14/218
D645,848 S	9/2011	Arnholt et al.		
D647,510 S *	10/2011	Maier et al.	.....	D14/218
D648,285 S *	11/2011	Kashimoto	.....	D13/168
D648,327 S *	11/2011	Maier et al.	.....	D14/218
D648,703 S *	11/2011	Andre et al.	.....	D14/203.7
D656,488 S *	3/2012	Nakayama et al.	.....	D14/218
D661,688 S *	6/2012	Weitgasser	.....	D14/218
D661,689 S *	6/2012	Weitgasser	.....	D14/218
D661,690 S *	6/2012	Weitgasser	.....	D14/218
D663,289 S *	7/2012	Murchison et al.	.....	D14/218
D664,945 S	8/2012	Morris et al.		

(Continued)

Primary Examiner — John Windmuller

(74) *Attorney, Agent, or Firm* — Banner & Witcoff, Ltd.

(57) **CLAIM**

The ornamental design for a remote controller, as shown and described.

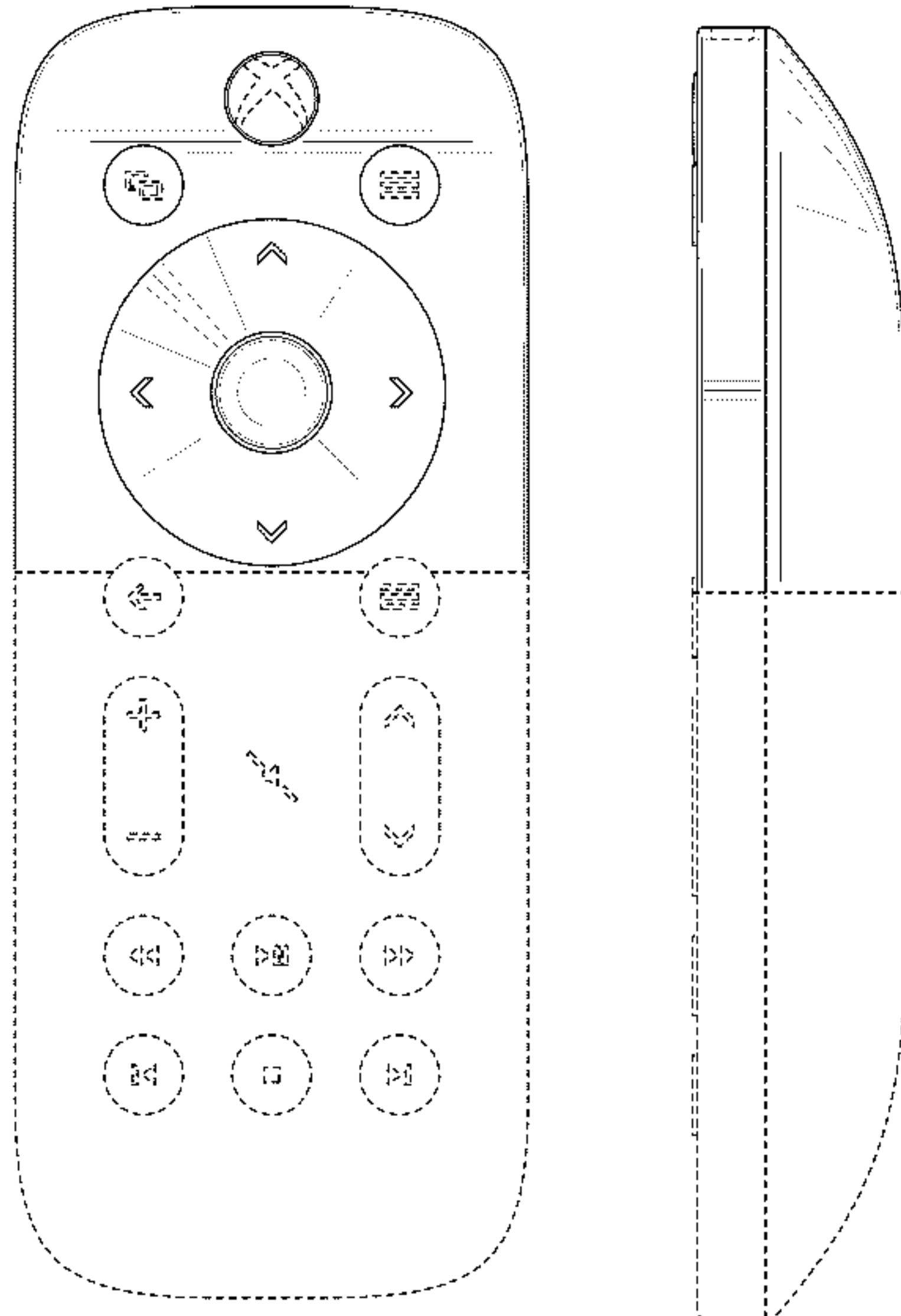
**DESCRIPTION**

FIG. 1 is a front perspective view of a remote controller showing my new design;  
 FIG. 2 is a front view thereof;  
 FIG. 3 is a rear view thereof;  
 FIG. 4 is a right side view thereof;  
 FIG. 5 is a left side view thereof;  
 FIG. 6 is a top view thereof; and,  
 FIG. 7 is a bottom view thereof.  
 The broken lines in the figures depict portions of the remote controller that form no part of the claimed design.

**1 Claim, 5 Drawing Sheets**

(56) **References Cited**  
 U.S. PATENT DOCUMENTS

D476,975 S	7/2003	Rodriquez, Sr.		
D502,929 S *	3/2005	Copeland et al.	.....	D13/168
D504,886 S *	5/2005	Yasutomi	.....	D14/218
D506,463 S	6/2005	Daniels		
D515,072 S	2/2006	Lee		
D516,576 S *	3/2006	Ive et al.	.....	D14/203.7
D532,777 S *	11/2006	Yu et al.	.....	D14/218
D535,261 S	1/2007	Daniels		
D542,781 S *	5/2007	Chen et al.	.....	D14/218
D546,807 S *	7/2007	Lee	.....	D14/138 AA
D551,659 S	9/2007	Shih et al.		
D567,804 S	4/2008	Yan		
D568,827 S *	5/2008	Ikeda et al.	.....	D13/168
D576,113 S *	9/2008	Kindle et al.	.....	D13/168



(56)

**References Cited**

U.S. PATENT DOCUMENTS

D664,946 S \* 8/2012 Morris et al. .... D14/218  
D669,452 S \* 10/2012 Akana et al. .... D14/218  
D687,815 S \* 8/2013 Hwangho et al. .... D14/218  
D689,826 S \* 9/2013 Kato ..... D13/168

D694,738 S 12/2013 Yang  
D695,272 S \* 12/2013 Hansen et al. .... D14/218  
D697,057 S \* 1/2014 Kwon et al. .... D14/218  
D697,497 S \* 1/2014 Lai ..... D14/218  
D699,223 S \* 2/2014 Maier et al. .... D14/218  
D703,189 S \* 4/2014 Won et al. .... D14/218  
D703,190 S \* 4/2014 Zaslavsky et al. .... D14/218  
\* cited by examiner

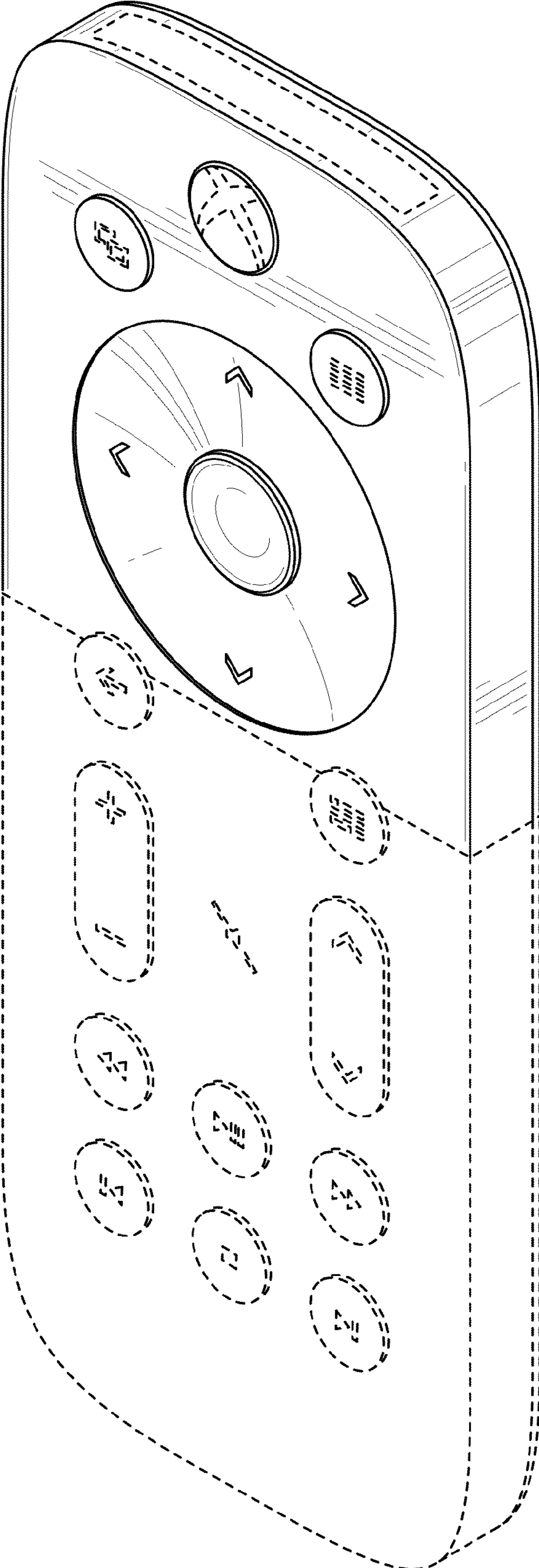


FIG. 1

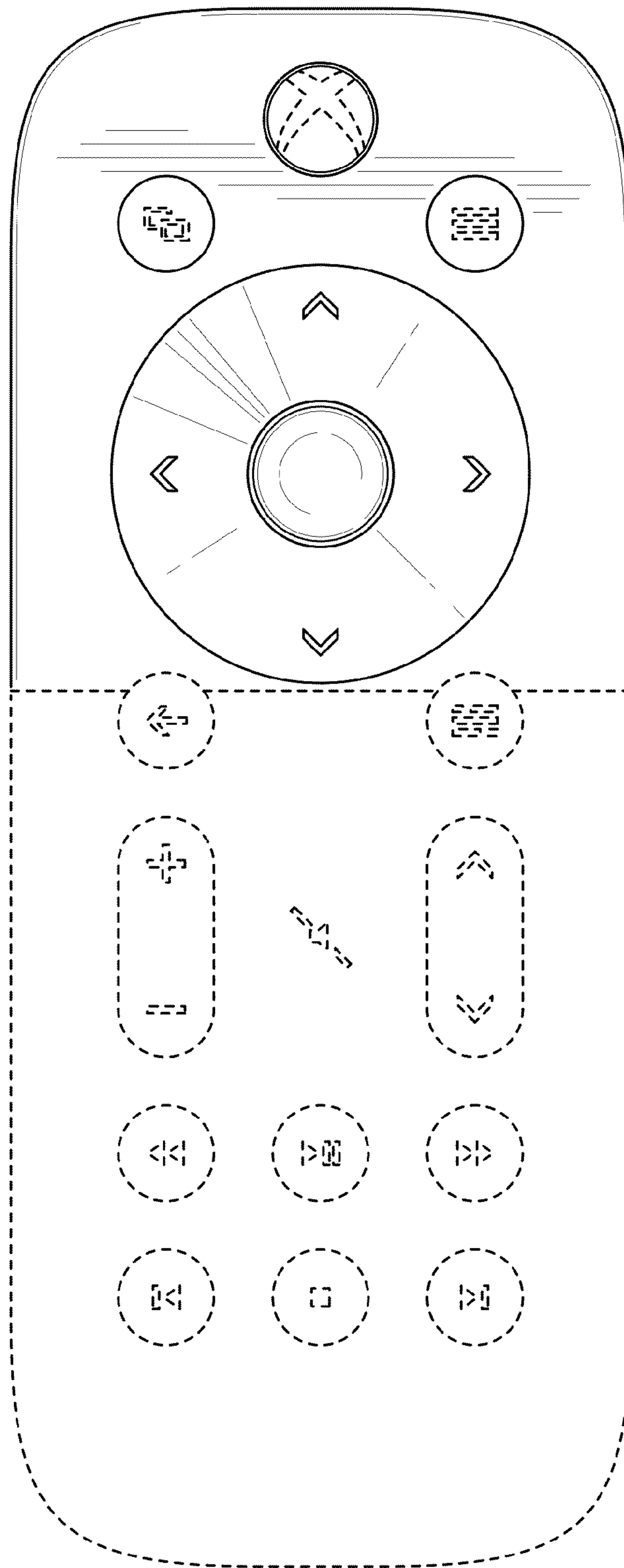


FIG. 2

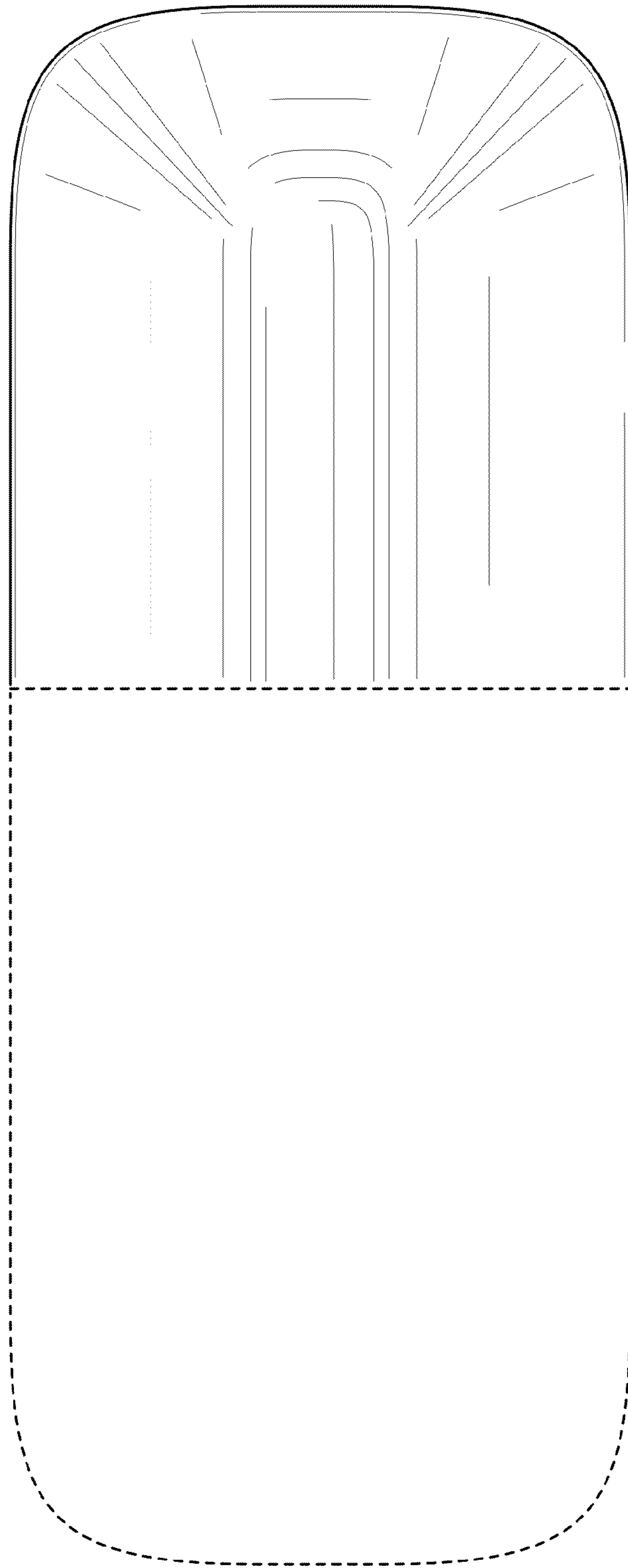


FIG. 3



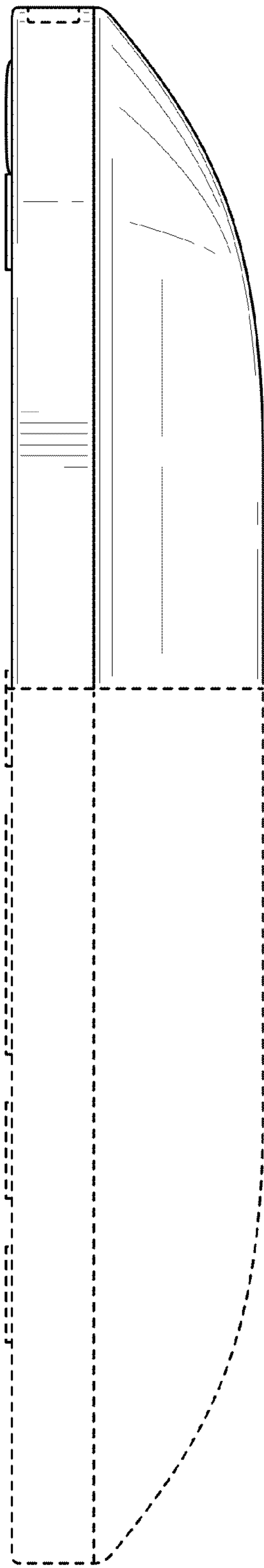


FIG. 4

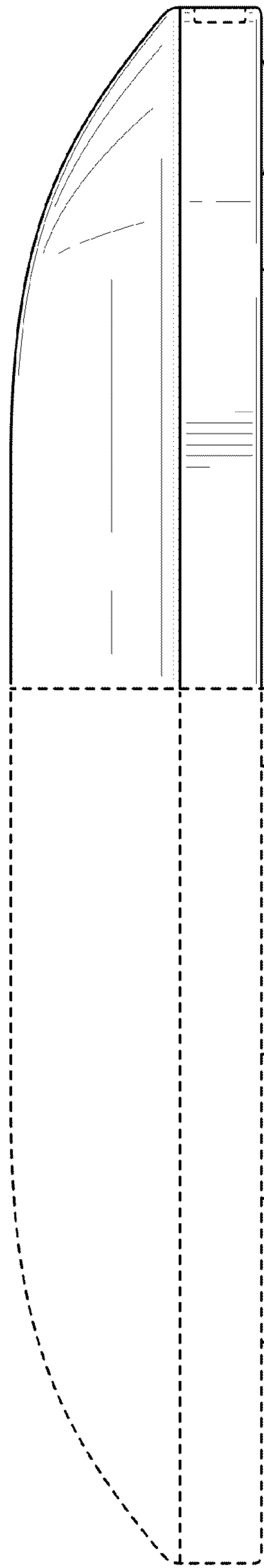


FIG. 5

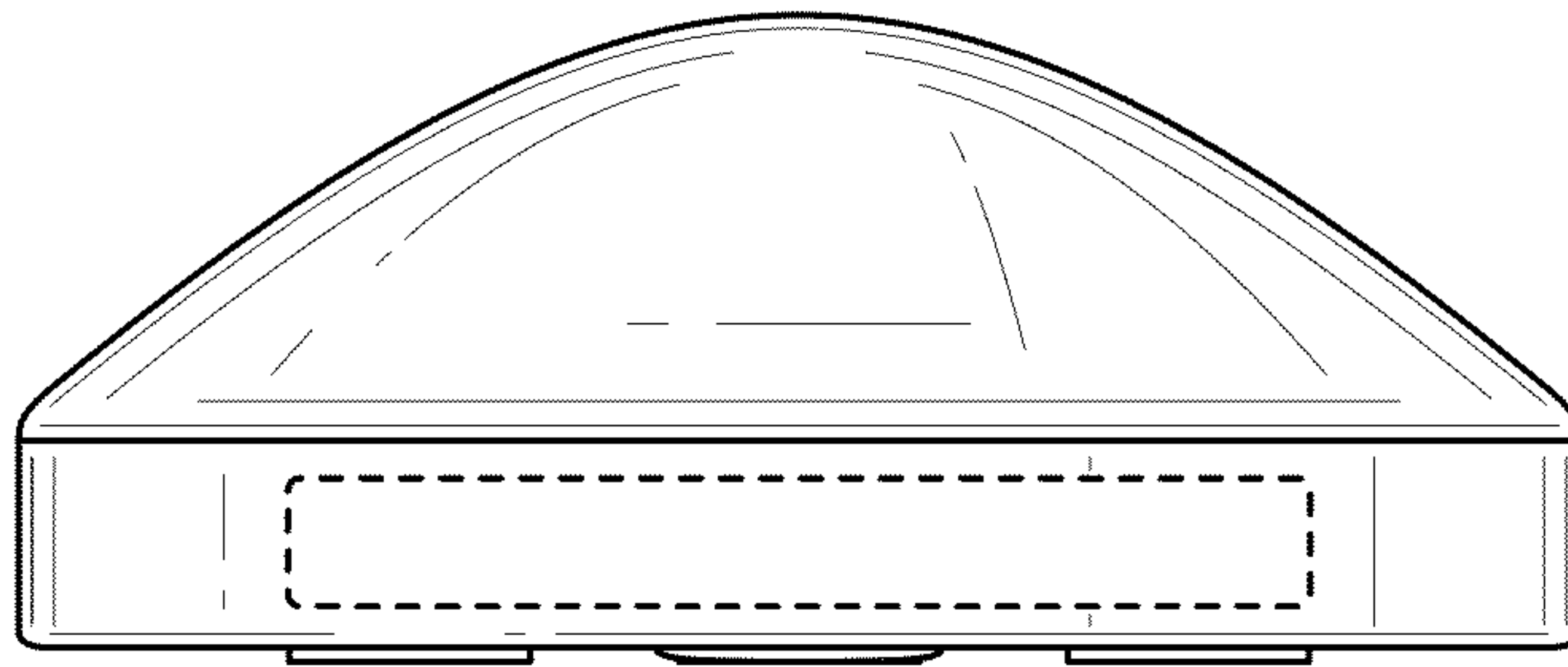


FIG. 6

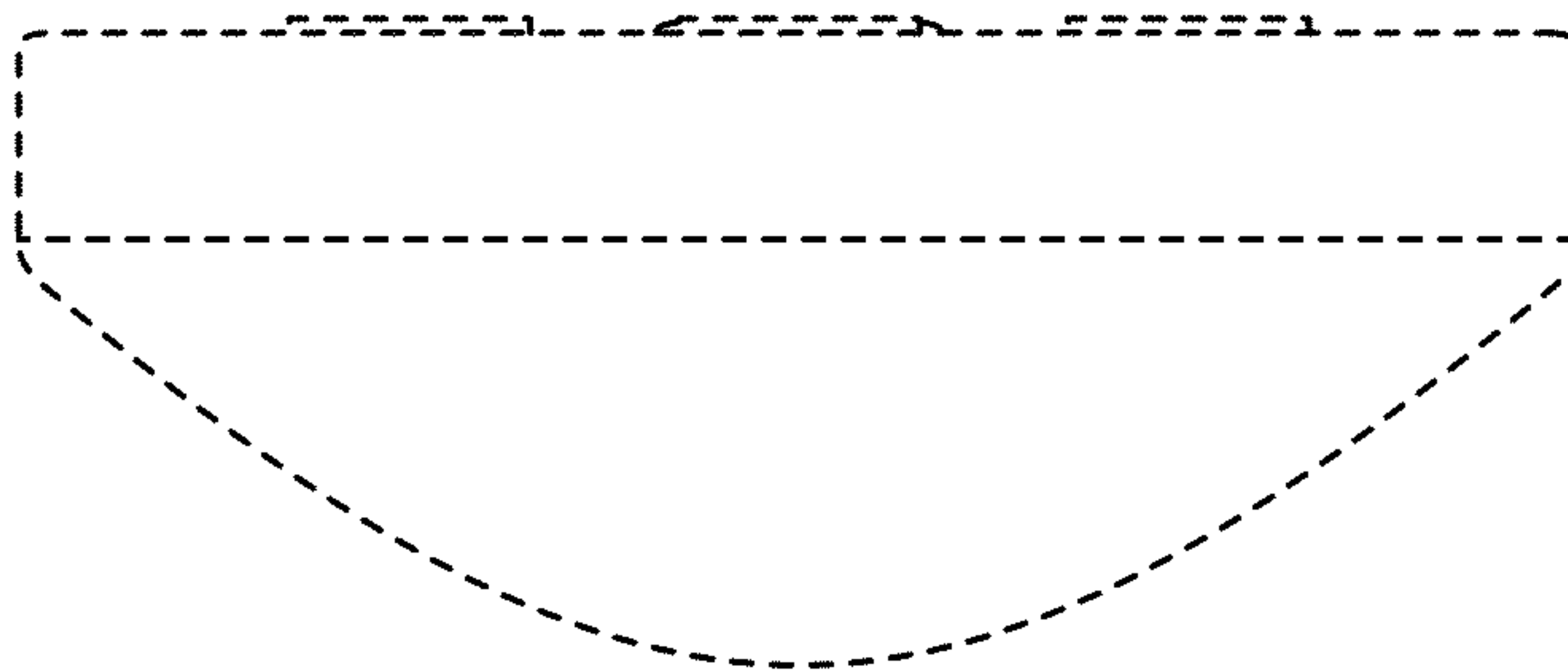


FIG. 7