



US00D713819S

(12) **United States Design Patent**
Millen

(10) **Patent No.:** **US D713,819 S**
(45) **Date of Patent:** **** Sep. 23, 2014**

(54) **SPEAKER**

(75) Inventor: **Samuel L. Millen**, Somerville, MA (US)

(73) Assignee: **Cue, Inc.**, Woburn, MA (US)

(**) Term: **14 Years**

(21) Appl. No.: **29/425,366**

(22) Filed: **Jun. 21, 2012**

(51) **LOC (10) Cl.** **14-01**

(52) **U.S. Cl.**
USPC **D14/211**

(58) **Field of Classification Search**

USPC D3/203.2-203.4; D13/103; D14/135,
D14/137, 155, 158, 160, 161, 168, 181, 188,
D14/191, 193-198, 203.6, 204, 209, 209.1,
D14/210, 211, 215, 216, 257, 258, 314, 353,
D14/354, 358, 440, 441, 498, 509; D26/26,
D26/28, 60-62, 72, 73, 93, 94, 97, 118,
D26/124; 181/144, 145, 147, 148, 150;
381/300, 361, 363

See application file for complete search history.

(56) **References Cited**

U.S. PATENT DOCUMENTS

6,031,921 A * 2/2000 Mizoguchi 381/182
D548,222 S * 8/2007 Kim D14/214
D624,047 S * 9/2010 Kim D14/215
D638,401 S * 5/2011 Woo et al. D14/214
D657,343 S * 4/2012 Cho et al. D14/188
D660,286 S * 5/2012 Lee et al. D14/214
D671,527 S * 11/2012 Lee et al. D14/215
D694,206 S * 11/2013 Seo et al. D14/126

FOREIGN PATENT DOCUMENTS

GB 3002566 * 5/2002

* cited by examiner

Primary Examiner — Stella Reid

Assistant Examiner — Janice Lim

(74) *Attorney, Agent, or Firm* — Lando & Anastasi, LLP

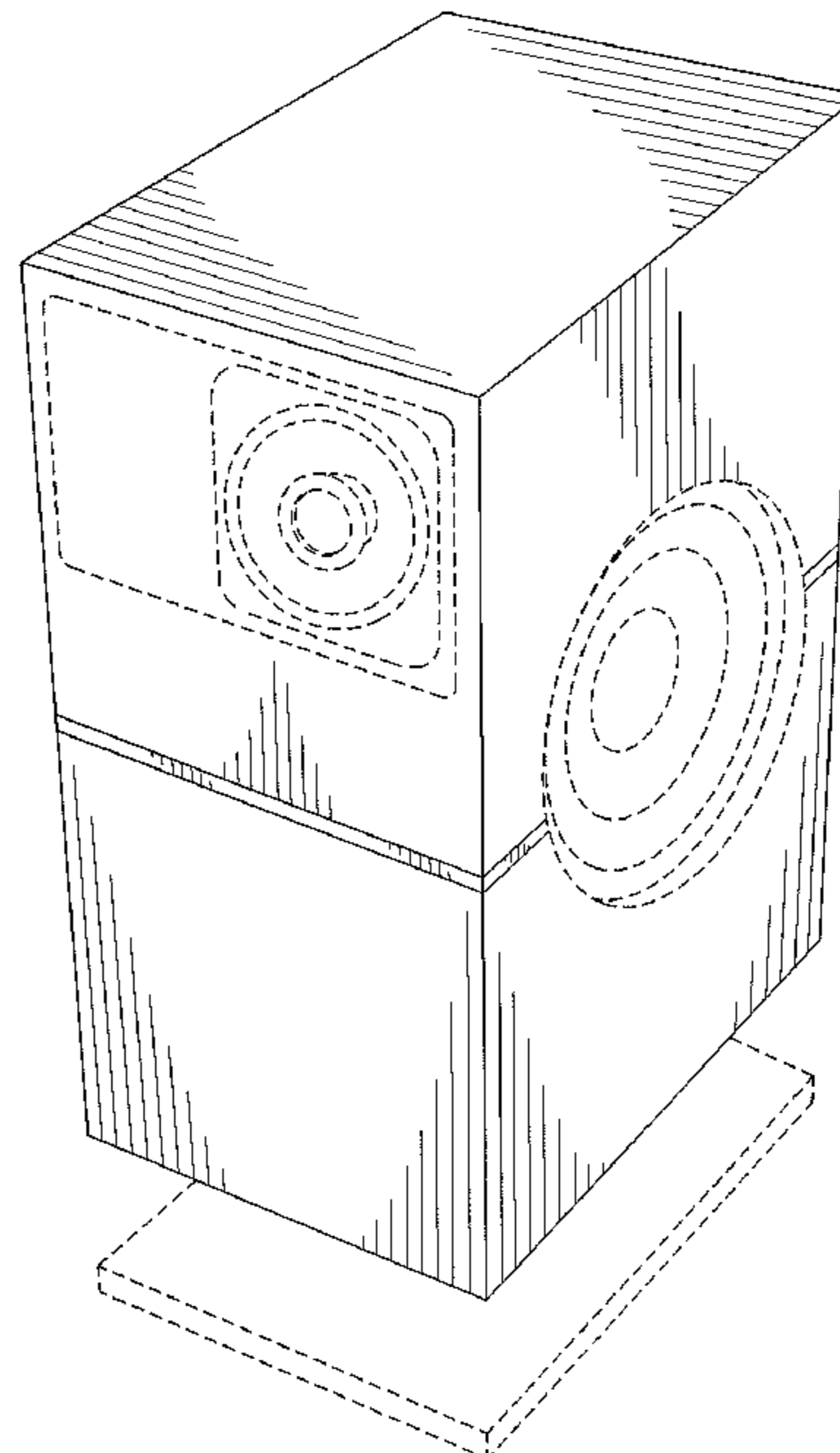
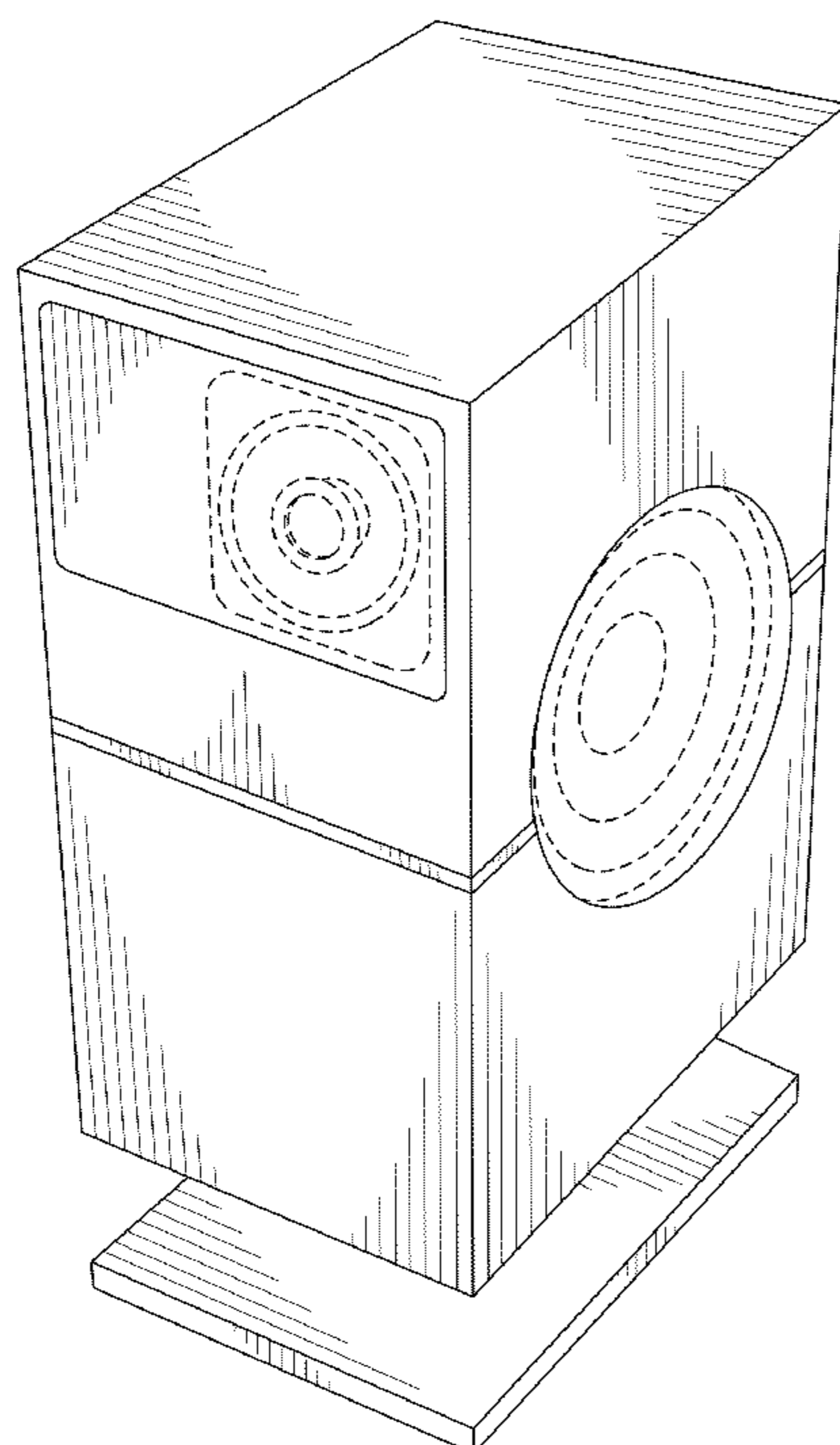
(57) **CLAIM**

The ornamental design for a speaker, as shown and described.

DESCRIPTION

FIG. 1 is a front perspective view of a speaker, of a first embodiment showing my new design; FIG. 2 is a rear perspective view thereof; FIG. 3 is a front elevational view thereof; FIG. 4 is a rear elevational view thereof; FIG. 5 is a right side elevational view thereof; FIG. 6 is a left elevational view thereof; FIG. 7 is a top plan view thereof; FIG. 8 is a bottom plan view thereof; FIG. 9 is a front perspective view of a speaker, of a second embodiment; FIG. 10 is a rear perspective view thereof; FIG. 11 is a front elevational view thereof; FIG. 12 is a rear elevational view thereof; FIG. 13 is a right side elevational view thereof; and, FIG. 14 is a left elevational view thereof. The broken lines showing portions of the speaker designs in FIGS. 1-6 and 9-14 show unclaimed subject matter only and form no part of the claimed design.

1 Claim, 13 Drawing Sheets



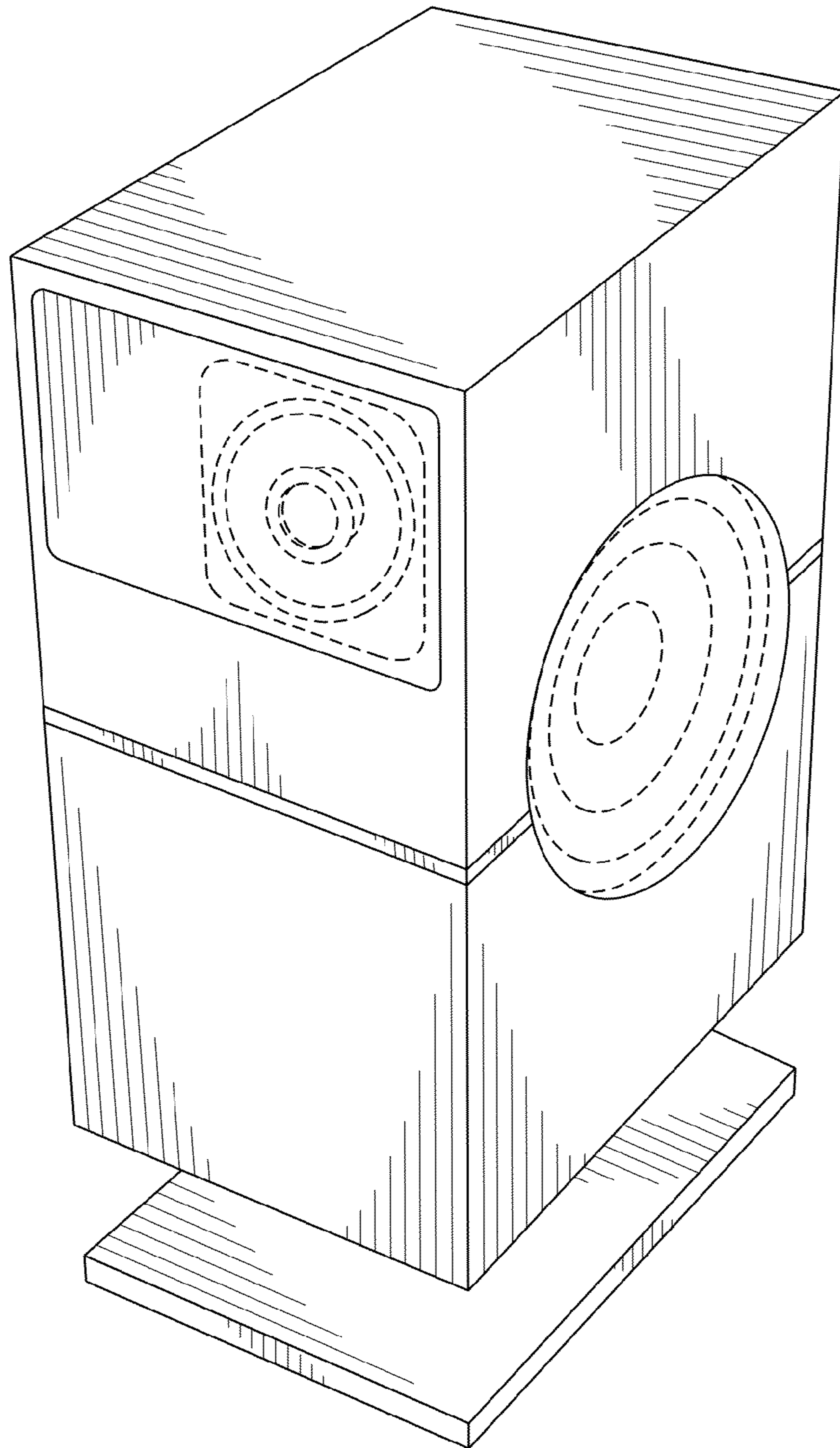


FIG. 1

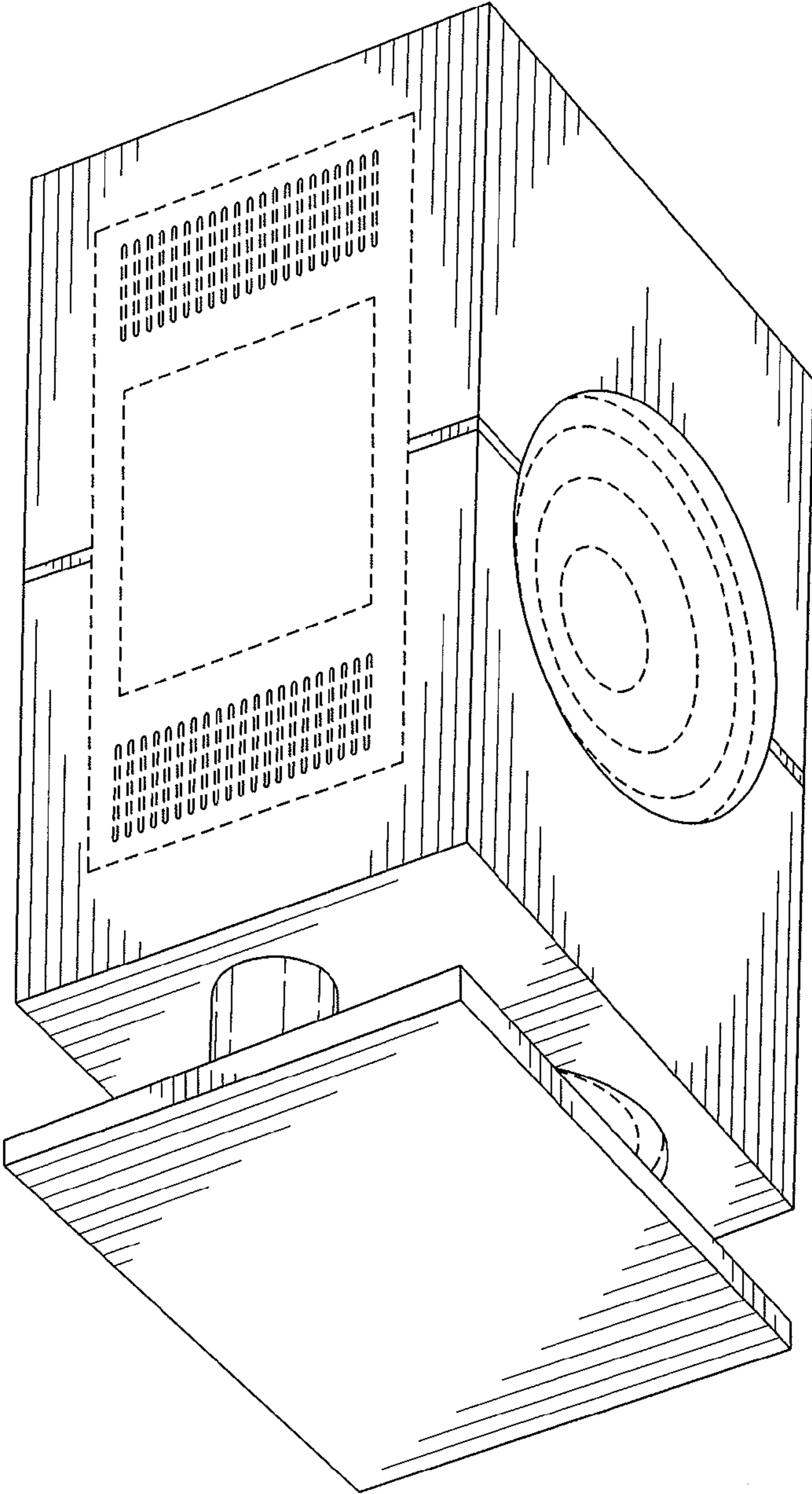


FIG. 2

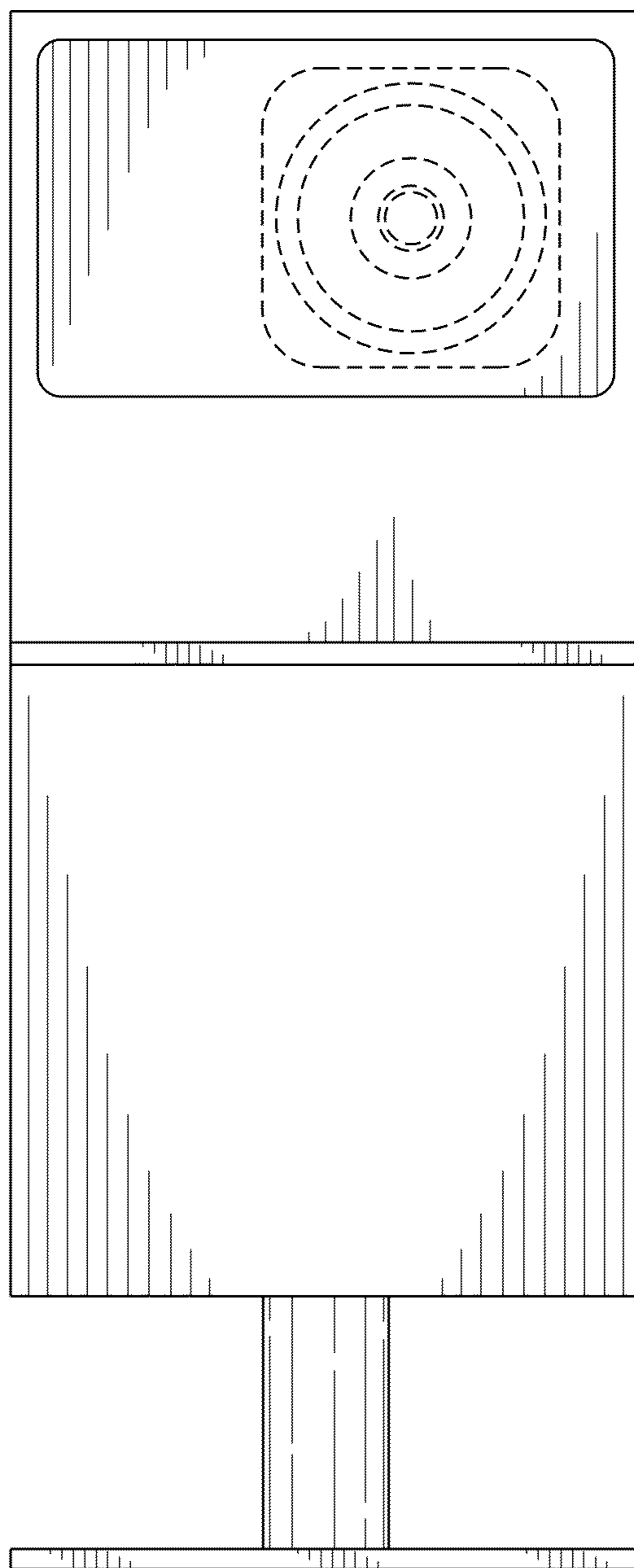


FIG. 3

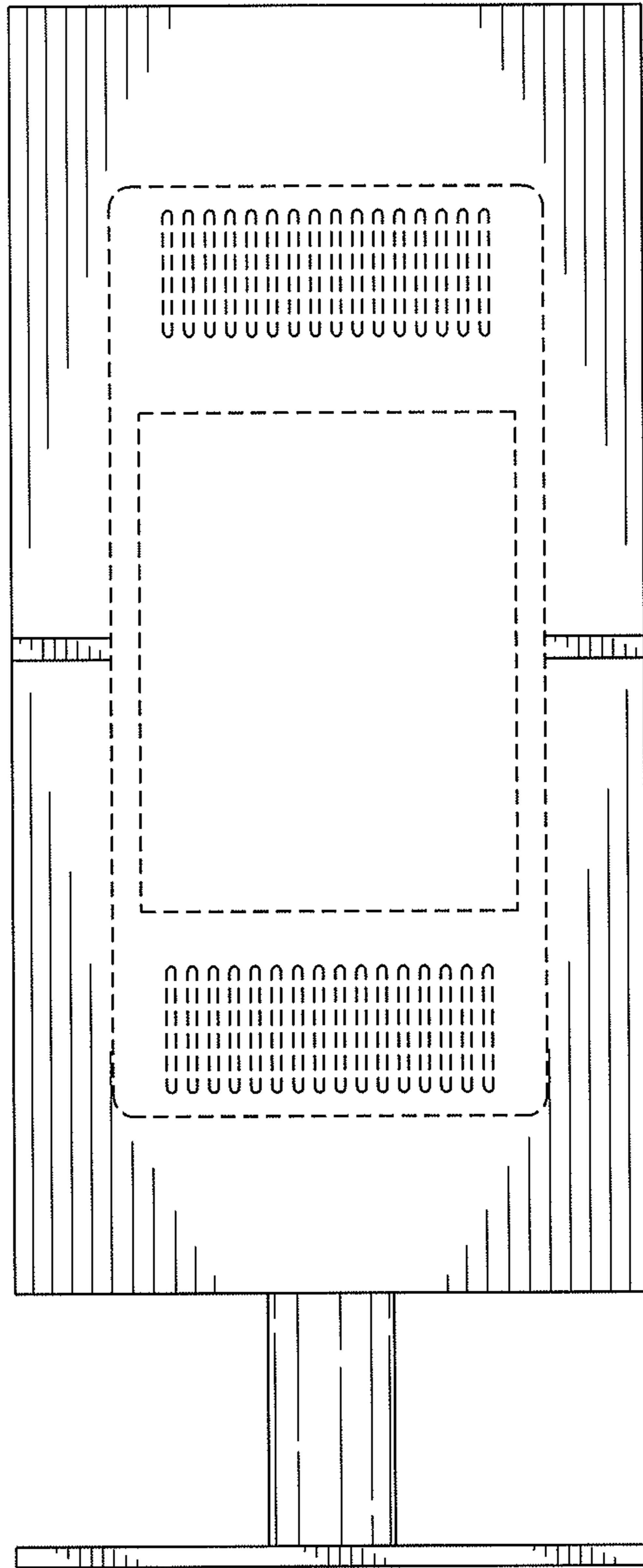


FIG. 4

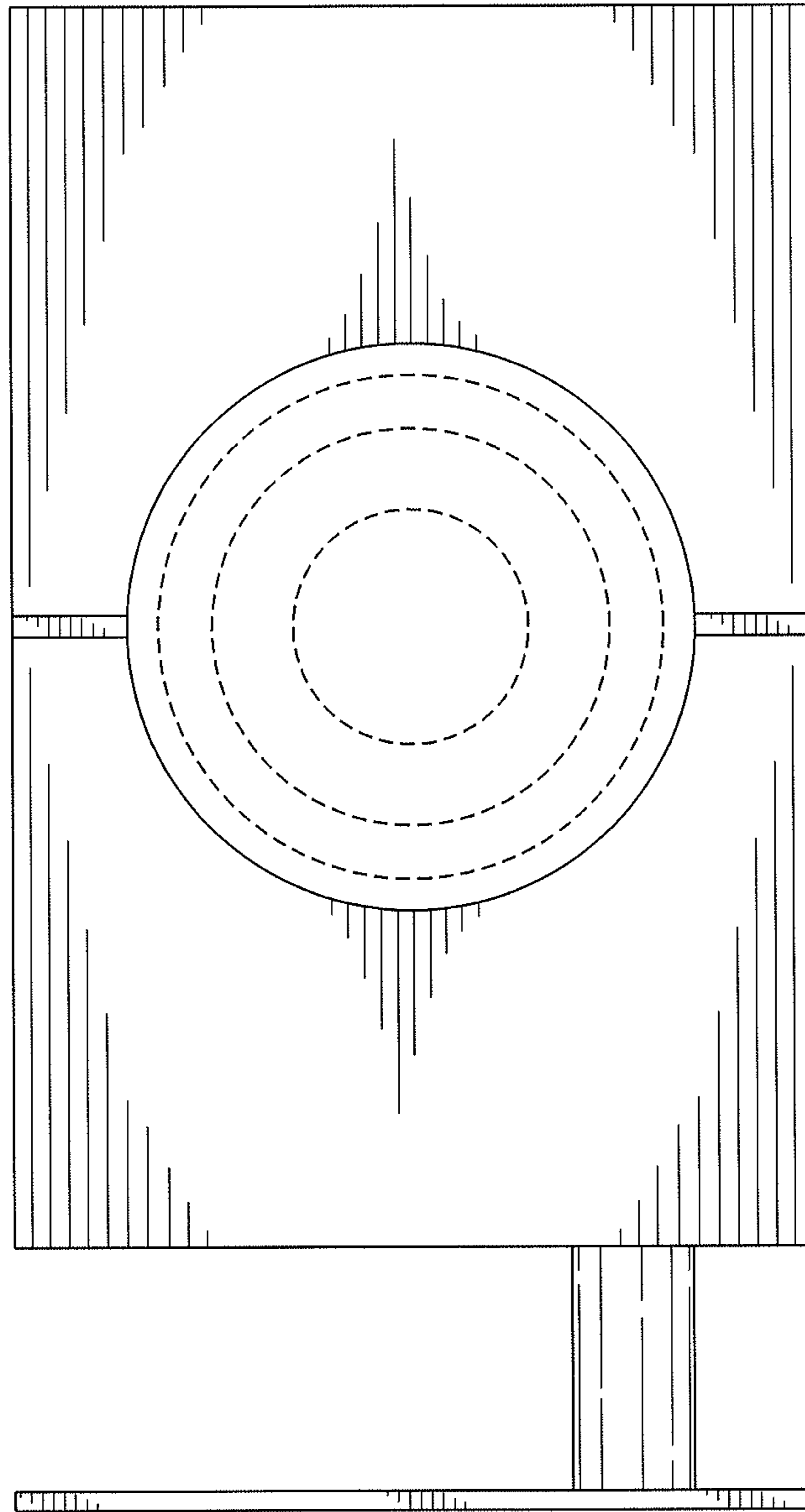


FIG. 5

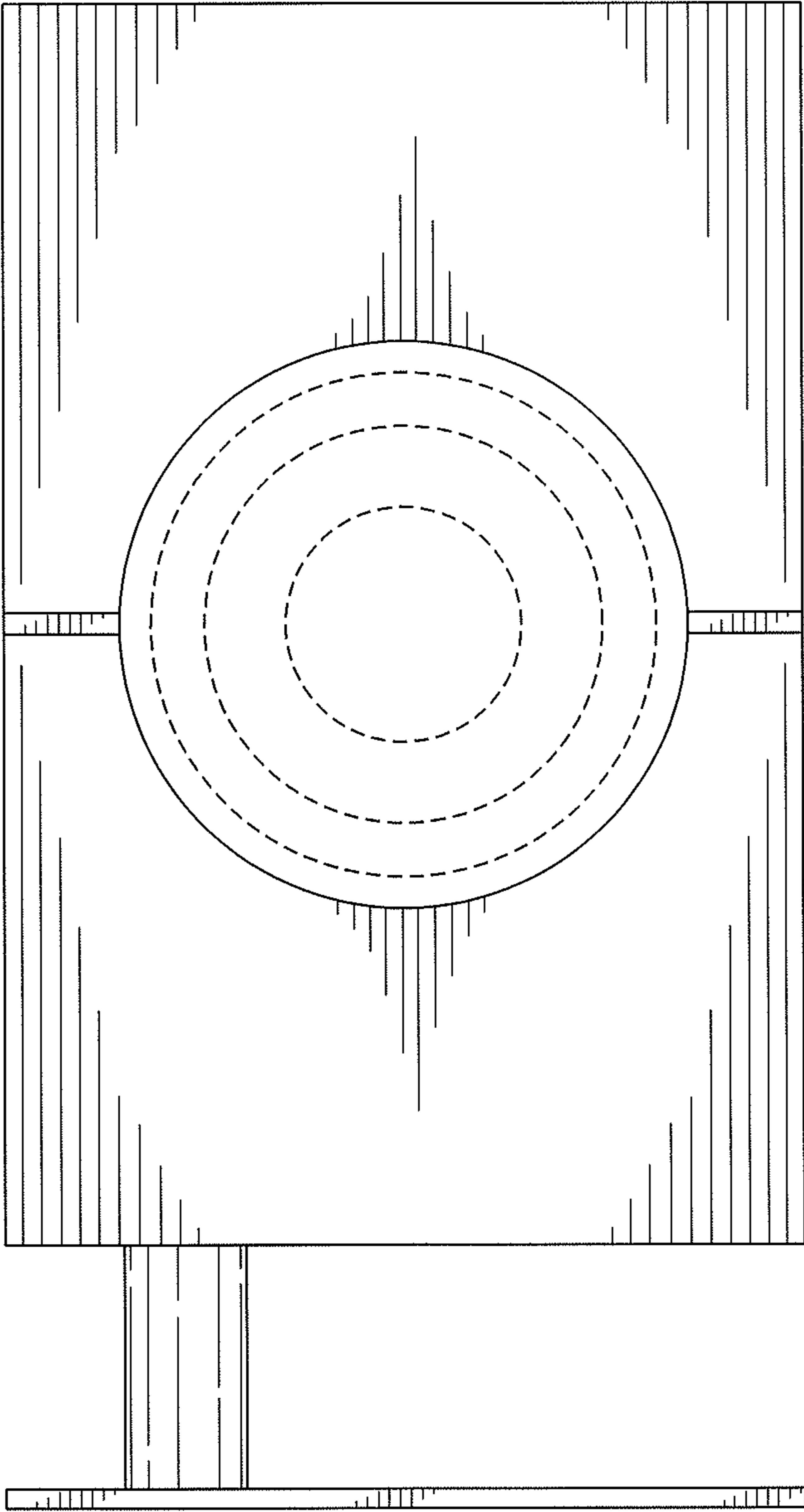


FIG. 6

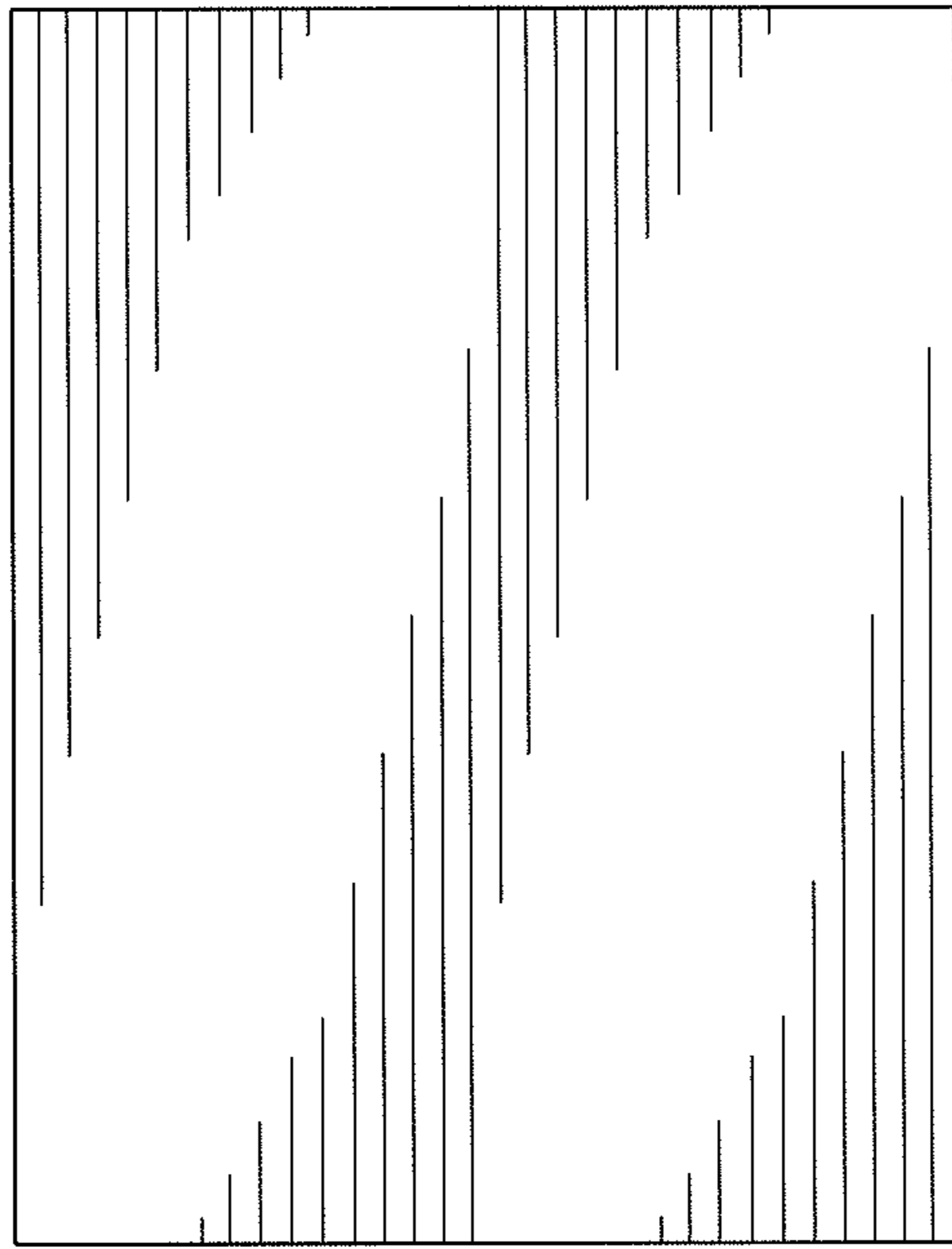


FIG. 7

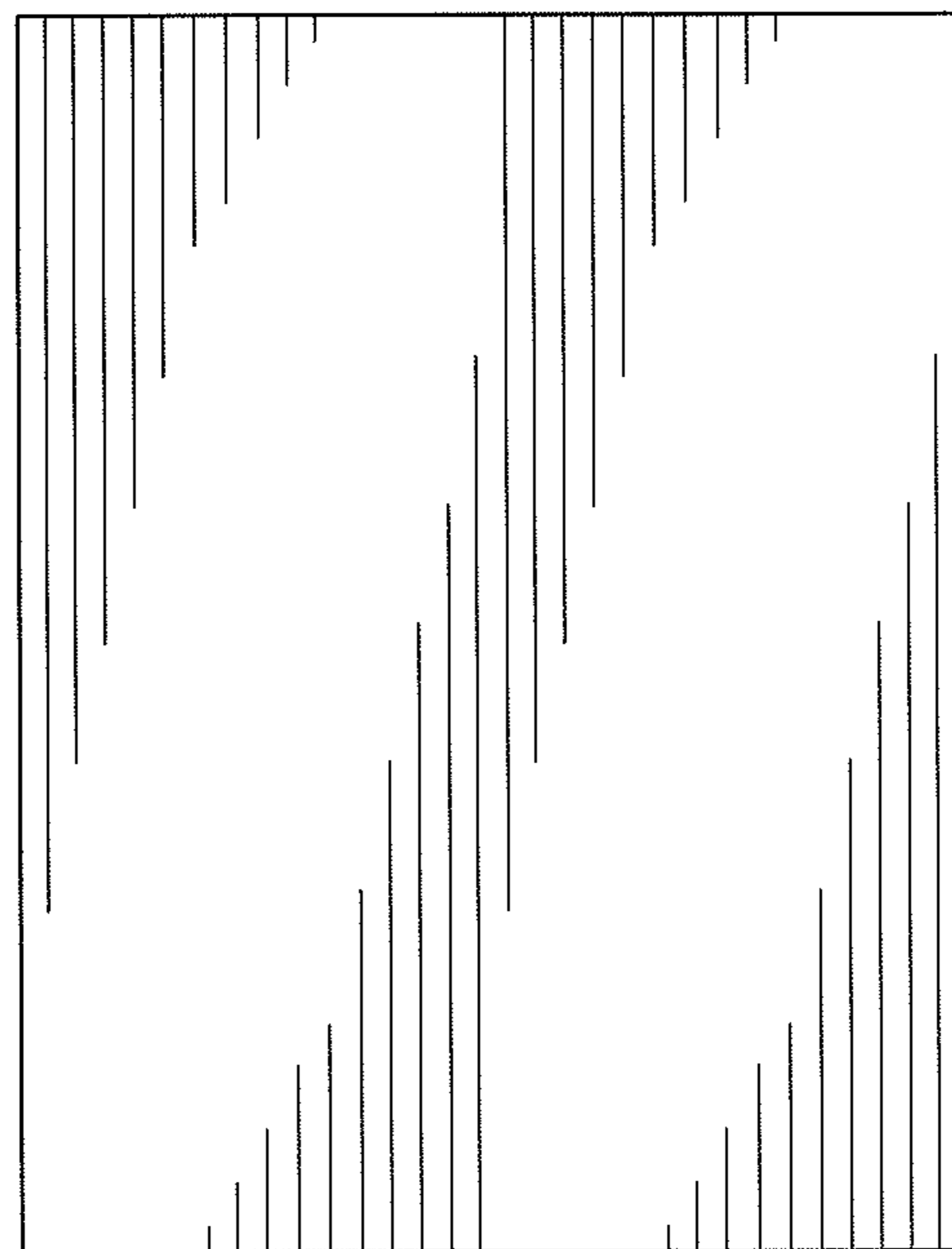


FIG. 8

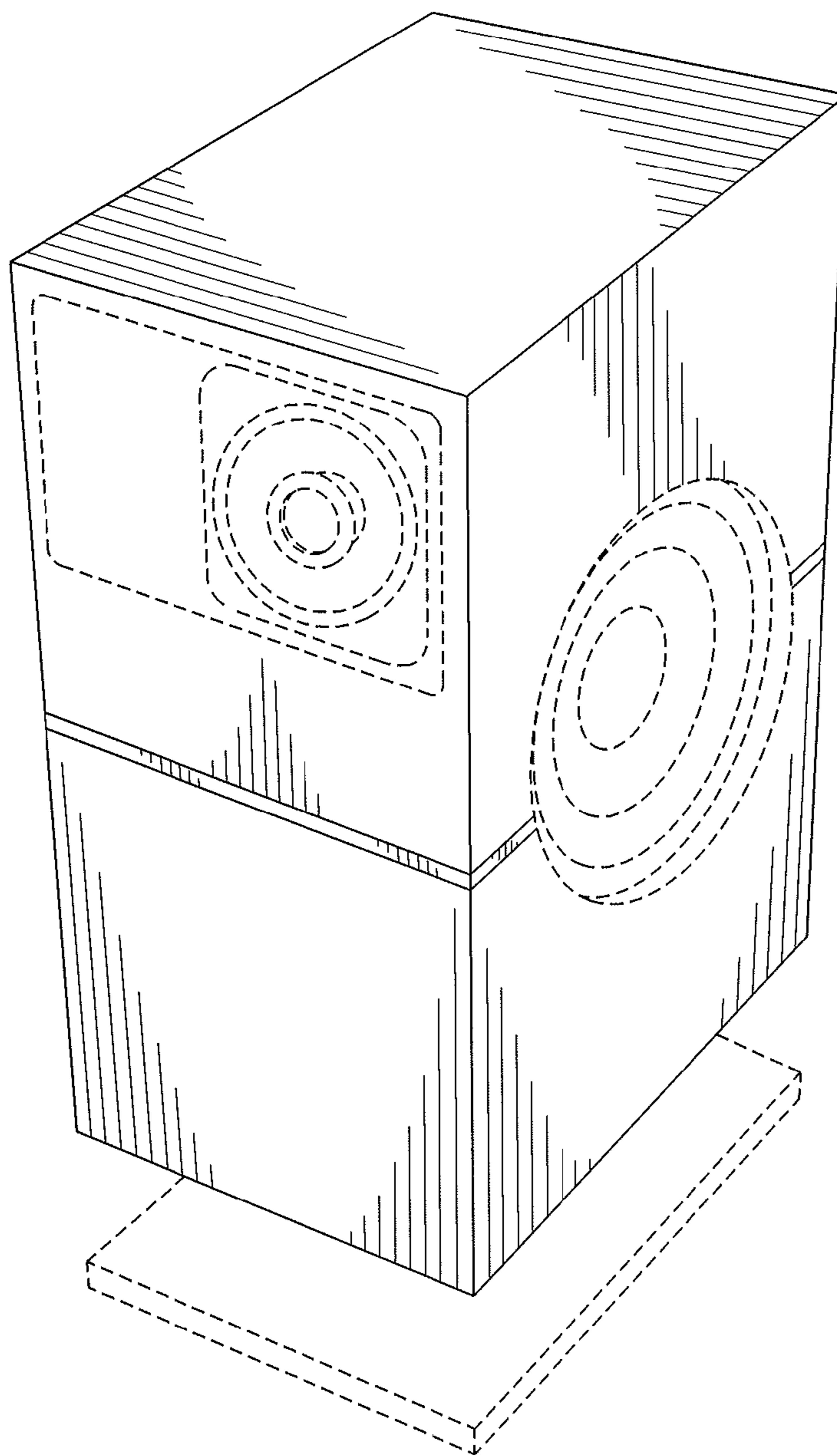


FIG. 9

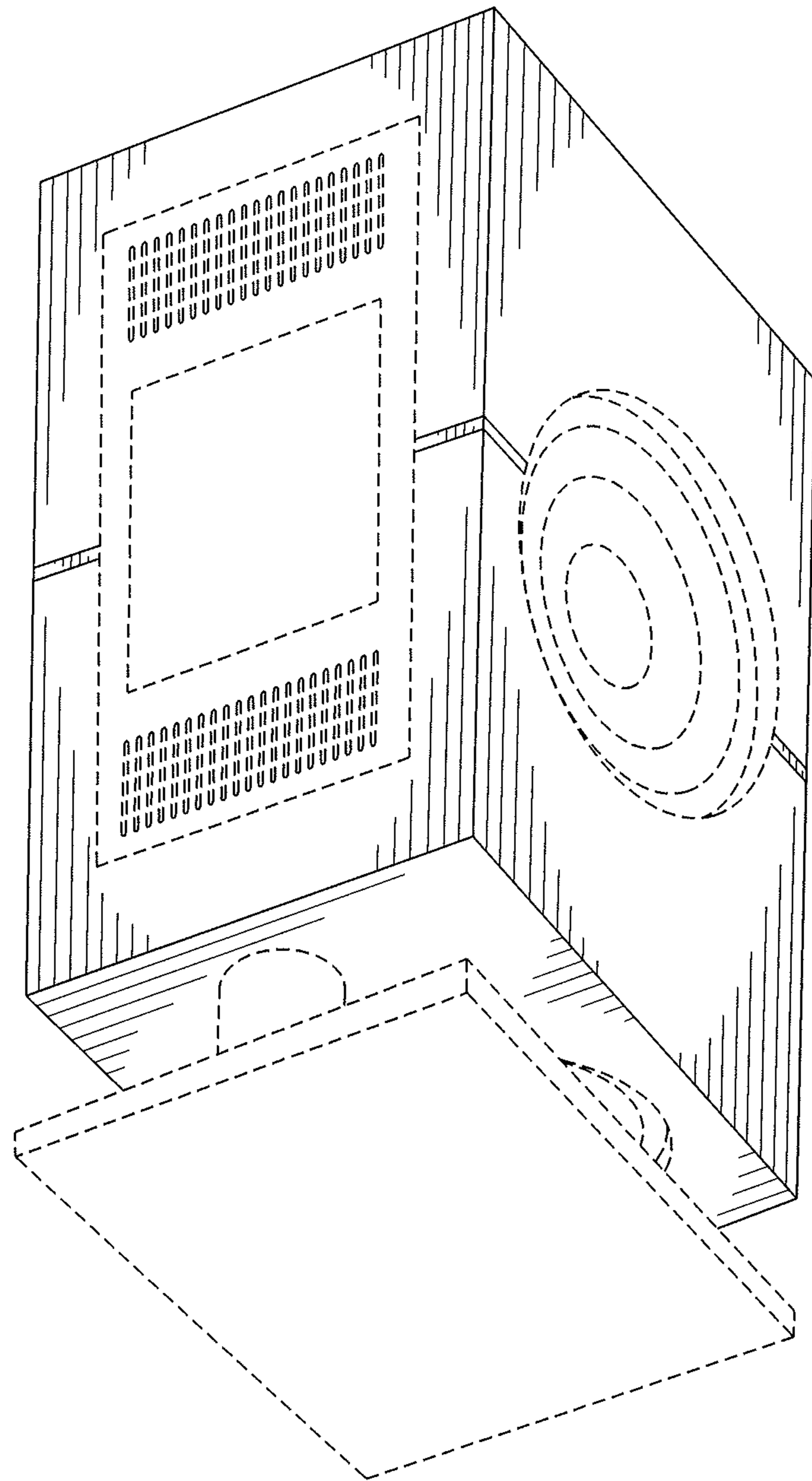


FIG. 10

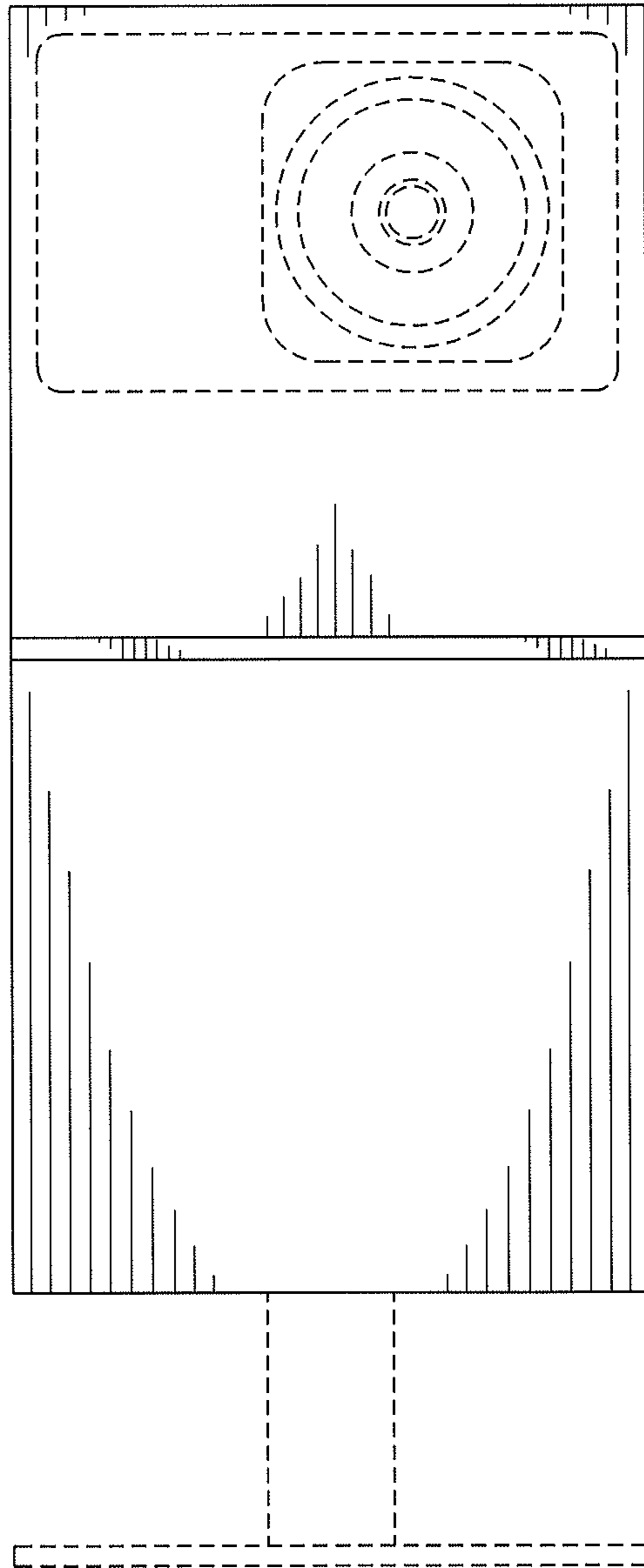


FIG. 11

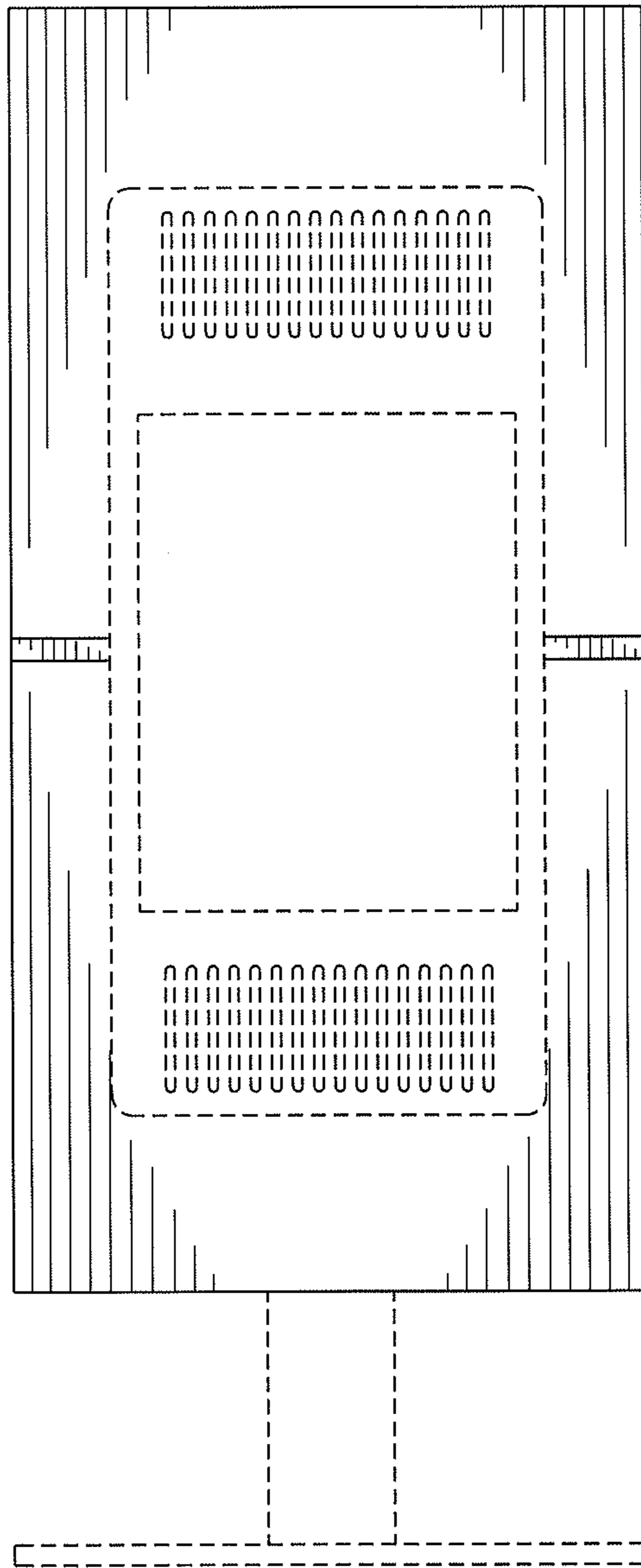


FIG. 12

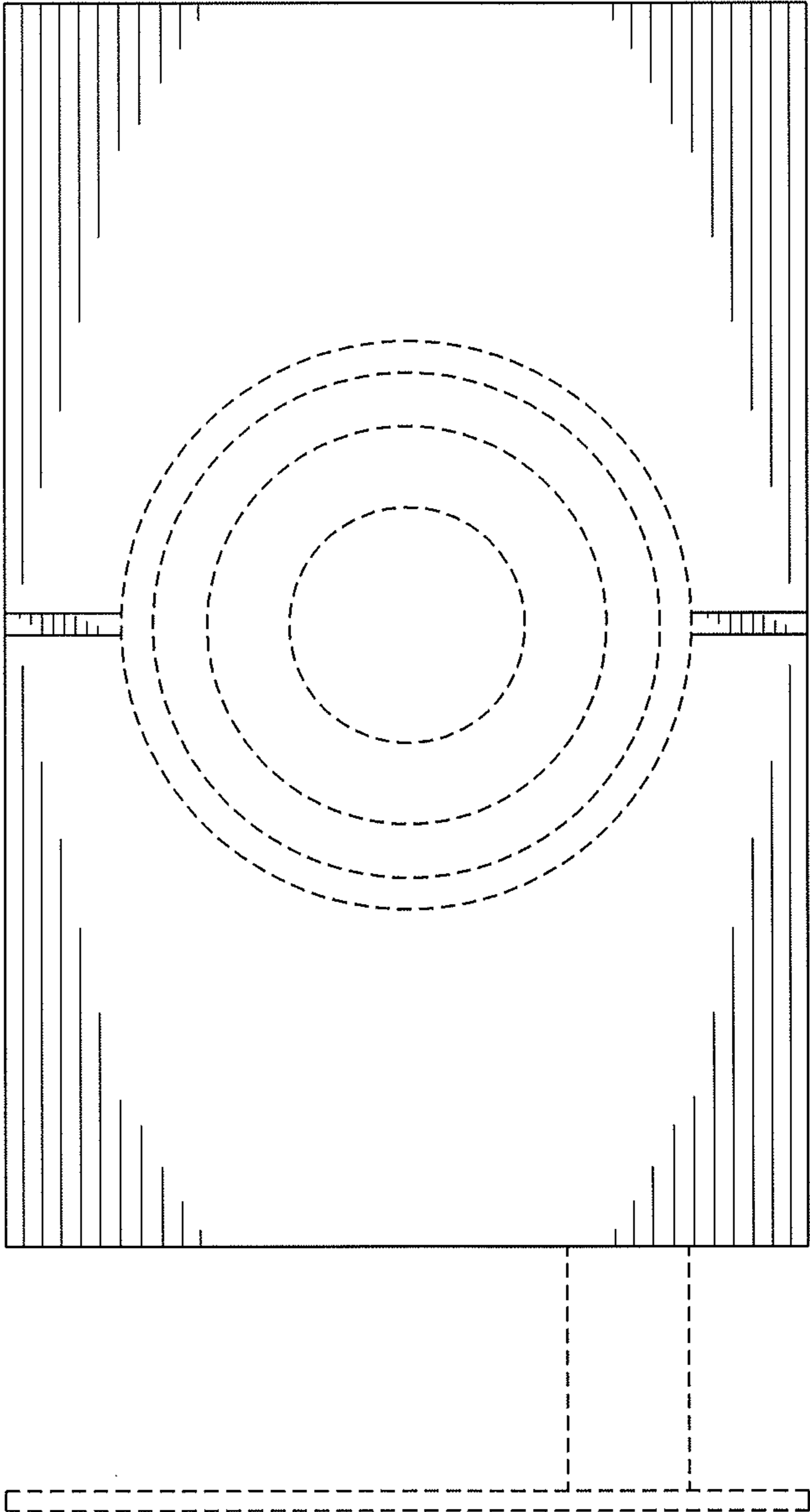


FIG. 13

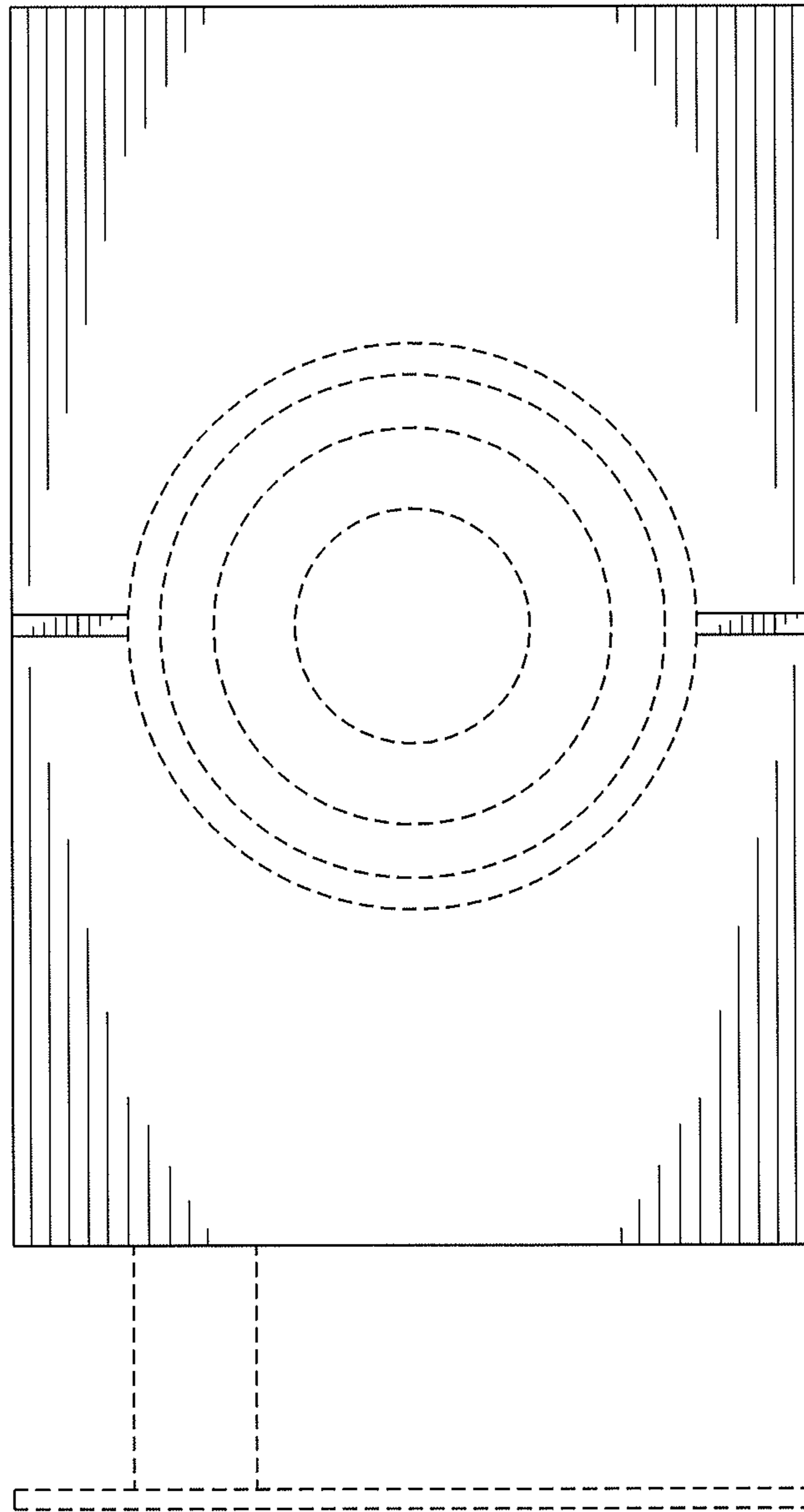


FIG. 14