



US00D713817S

(12) **United States Design Patent**  
**Paterson et al.**

(10) **Patent No.:** **US D713,817 S**

(45) **Date of Patent:** **\*\* Sep. 23, 2014**

(54) **COMMUNICATIONS  
HEADSET/HEADPHONE**

(71) Applicant: **Plantronics, Inc.**, Santa Cruz, CA (US)

(72) Inventors: **Nicholas W Paterson**, Santa Cruz, CA (US); **Carrienne Minick**, San Jose, CA (US)

(73) Assignee: **Plantronics, Inc.**, Santa Cruz, CA (US)

(\*\*) Term: **14 Years**

(21) Appl. No.: **29/460,793**

(22) Filed: **Jul. 15, 2013**

(51) **LOC (10) Cl.** ..... **14-01**

(52) **U.S. Cl.**  
USPC ..... **D14/205**

(58) **Field of Classification Search**  
CPC ..... H04R 1/1066  
USPC ..... D14/205, 223, 192; D29/112; 2/209;  
181/129, 130, 135; 379/430, 431;  
381/380, 381, 374, 370, 371, 376;  
455/90.3, 575.1

See application file for complete search history.

(56) **References Cited**

**U.S. PATENT DOCUMENTS**

D218,103 S \* 7/1970 Kliewer ..... D14/205  
D244,300 S \* 5/1977 Besasie ..... D14/205

D461,787 S \* 8/2002 Brown ..... D14/203.5  
D504,883 S \* 5/2005 Jacobson et al. .... D14/192  
7,436,973 B2 \* 10/2008 Liao ..... 381/370  
D604,718 S \* 11/2009 Paterson ..... D14/206  
7,735,154 B2 \* 6/2010 Gellis et al. .... 2/209  
D657,345 S \* 4/2012 Brunner et al. .... D14/205  
D674,767 S \* 1/2013 Brunner et al. .... D14/205  
D689,463 S \* 9/2013 Hardi et al. .... D14/205  
D702,210 S \* 4/2014 Birger ..... D14/205

**FOREIGN PATENT DOCUMENTS**

RU 84674 3/2013

\* cited by examiner

*Primary Examiner* — Paula Greene

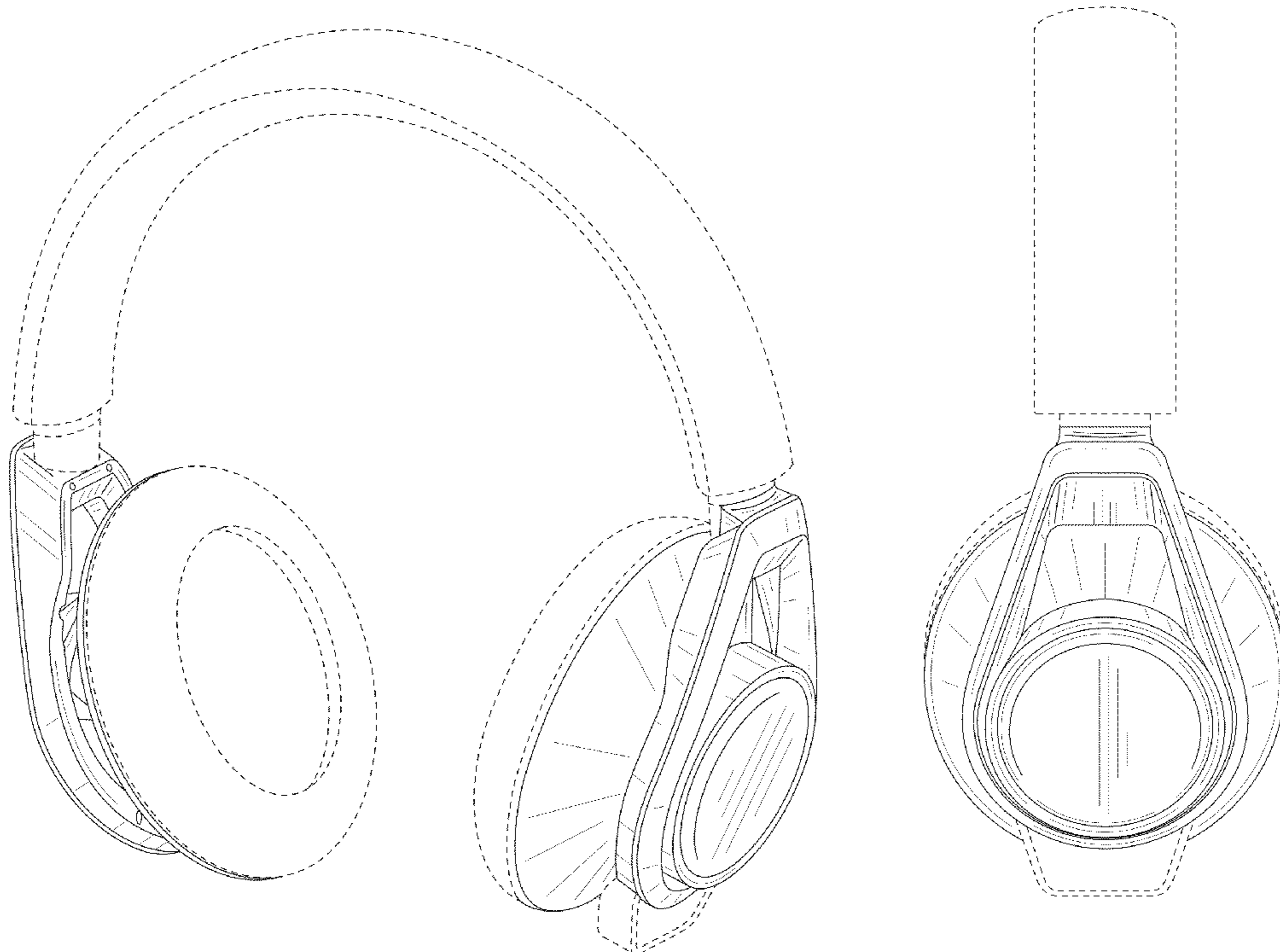
(57) **CLAIM**

The ornamental design for a communications headset or headphone, as shown and described.

**DESCRIPTION**

FIG. 1 is a perspective view of a communications headset/headphone showing my new design;  
FIG. 2 is a back view thereof;  
FIG. 3 is a front view thereof;  
FIG. 4 is a right side view thereof;  
FIG. 5 is a left side view thereof;  
FIG. 6 is a top view thereof; and,  
FIG. 7 is a bottom view thereof.  
The broken lines showing the unclaimed environment forms no part of the claimed design.

**1 Claim, 5 Drawing Sheets**



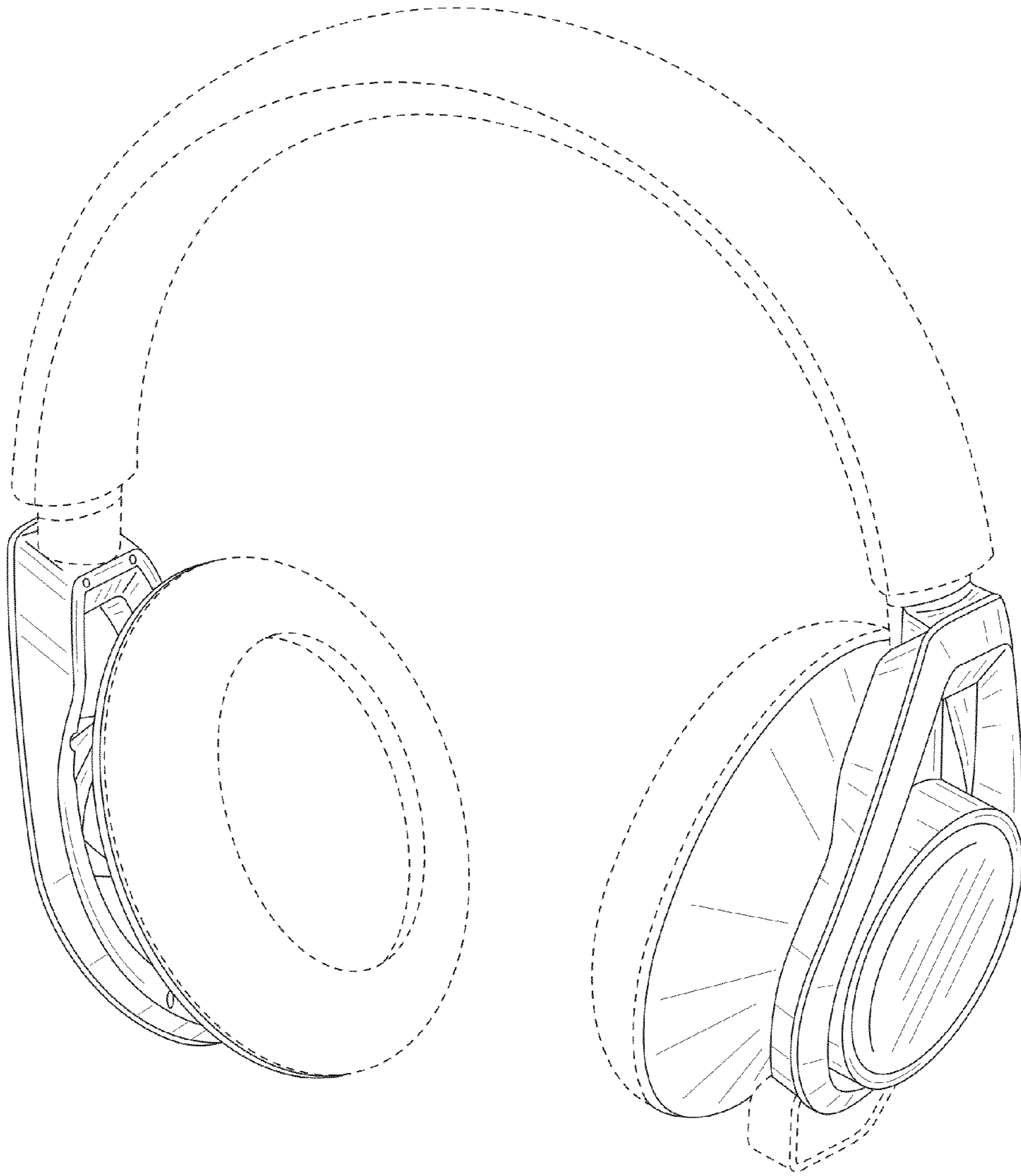
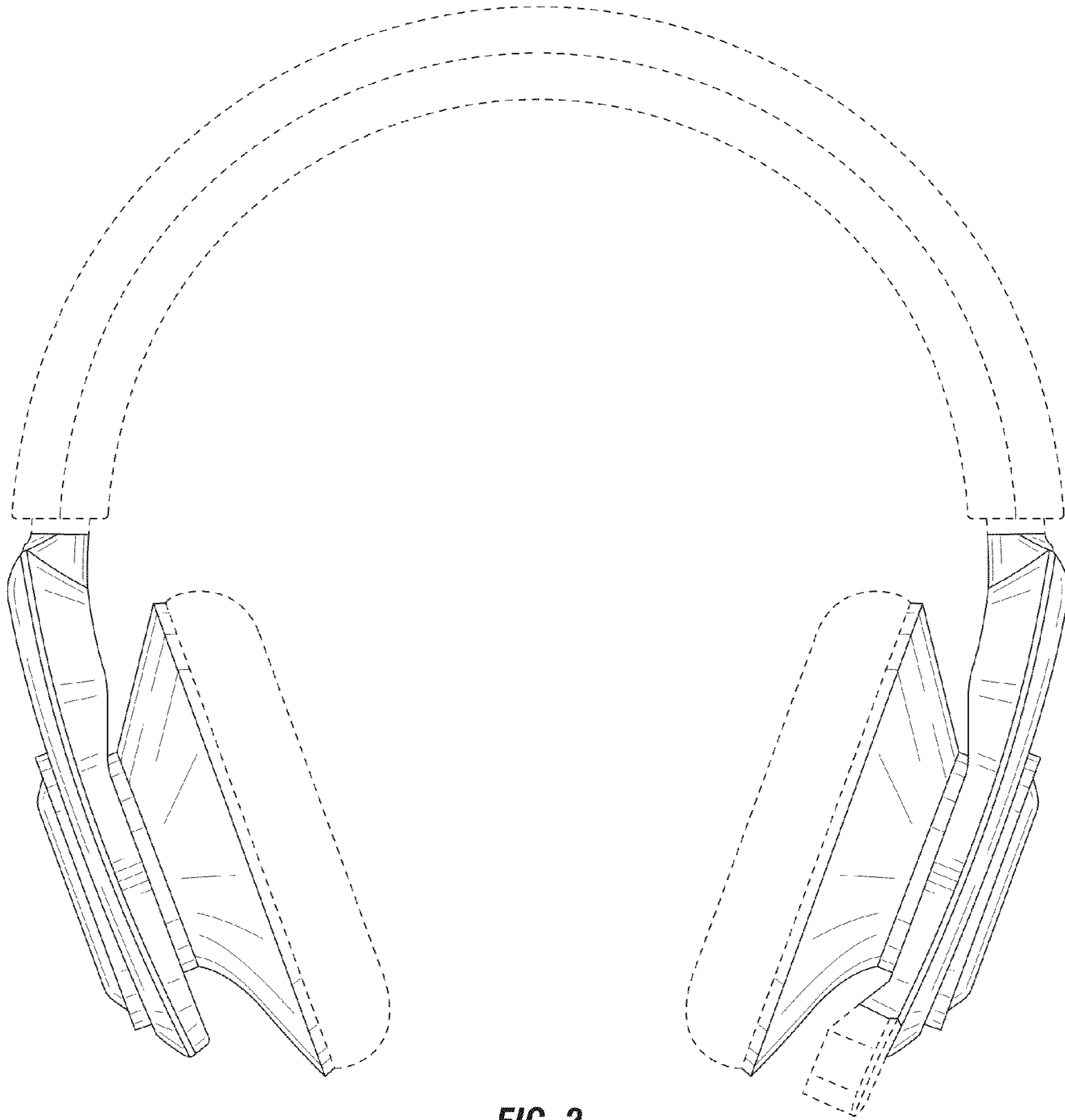
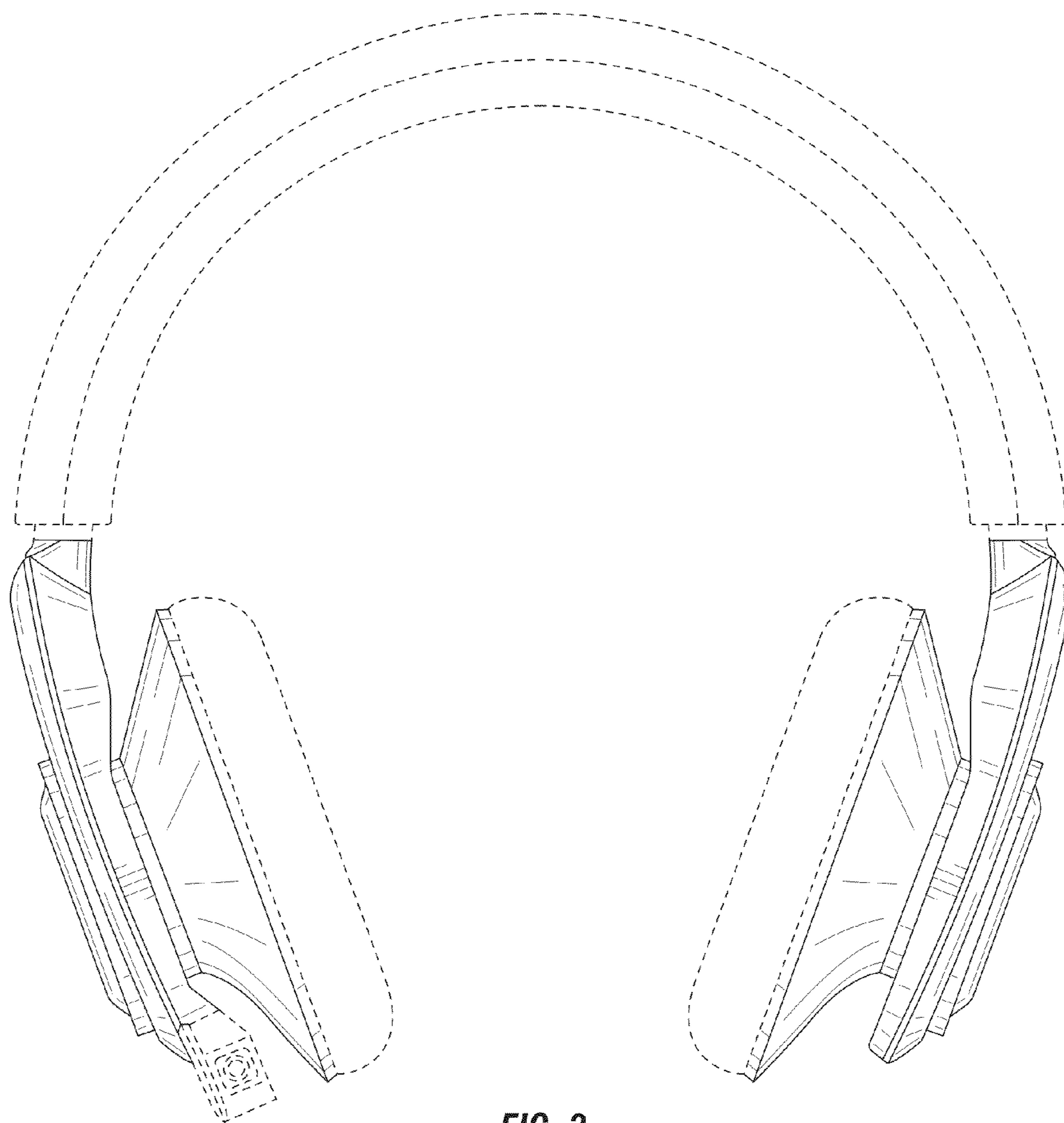


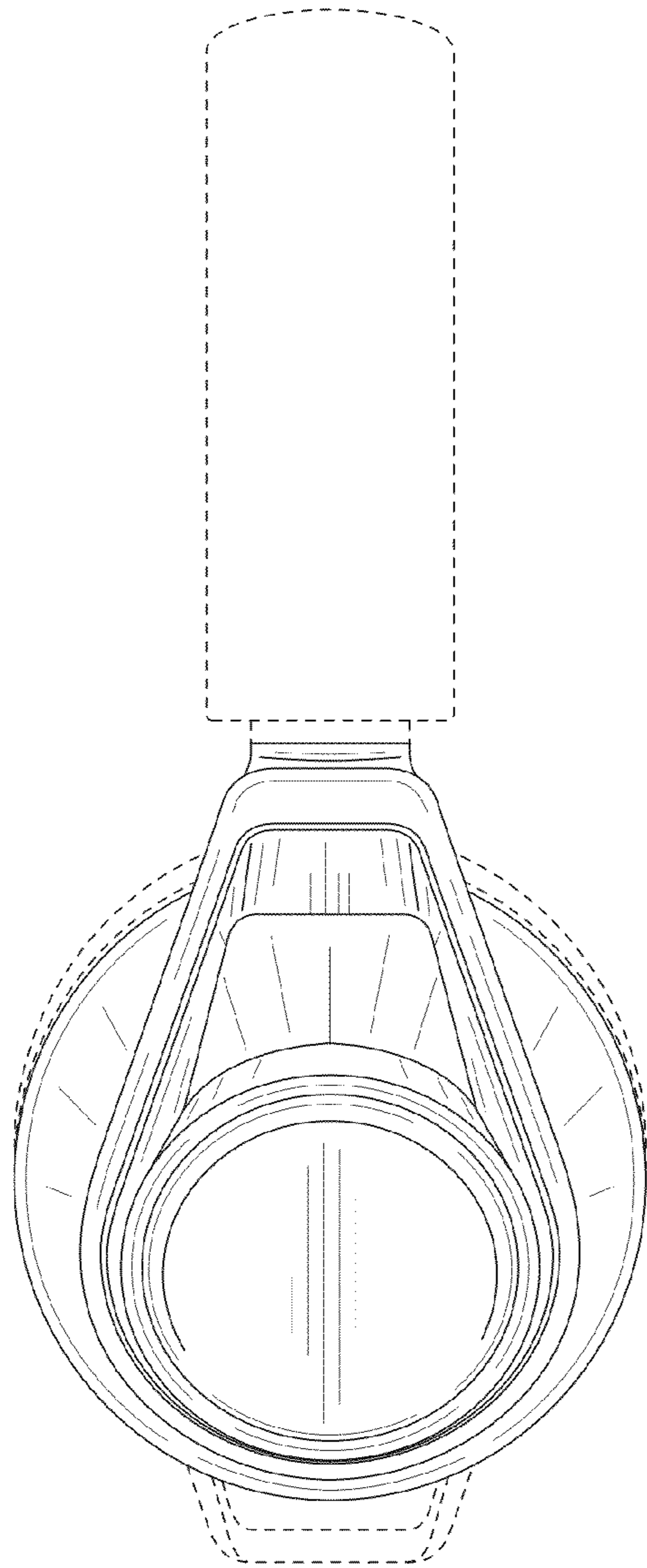
FIG. 1



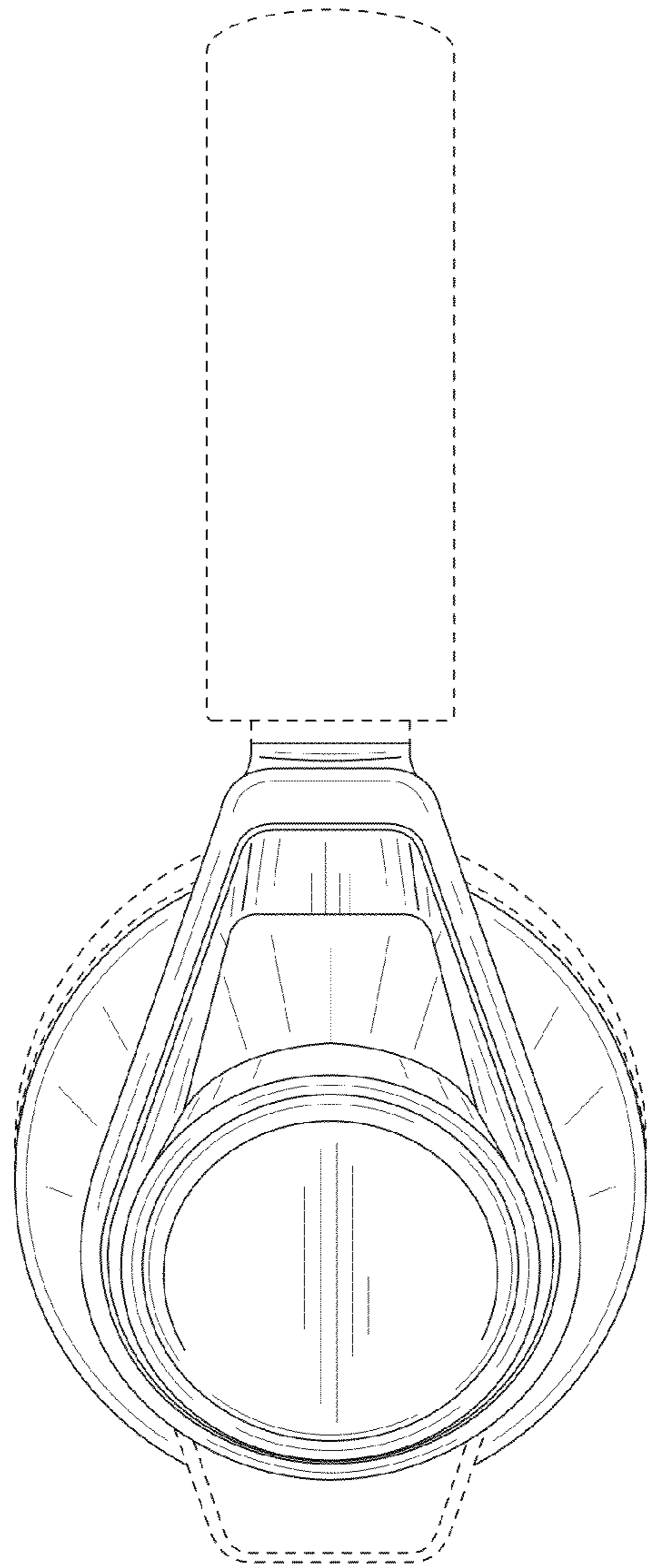
**FIG. 2**



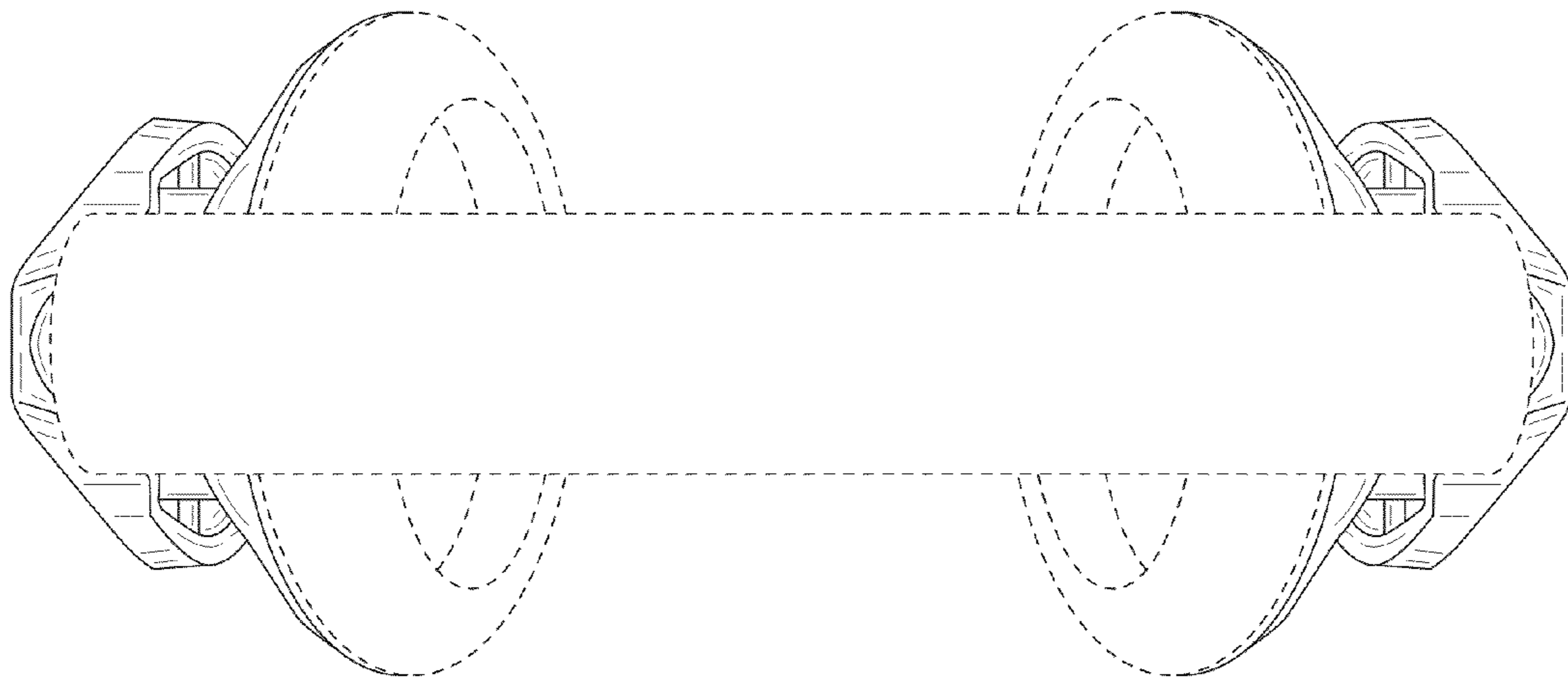
**FIG. 3**



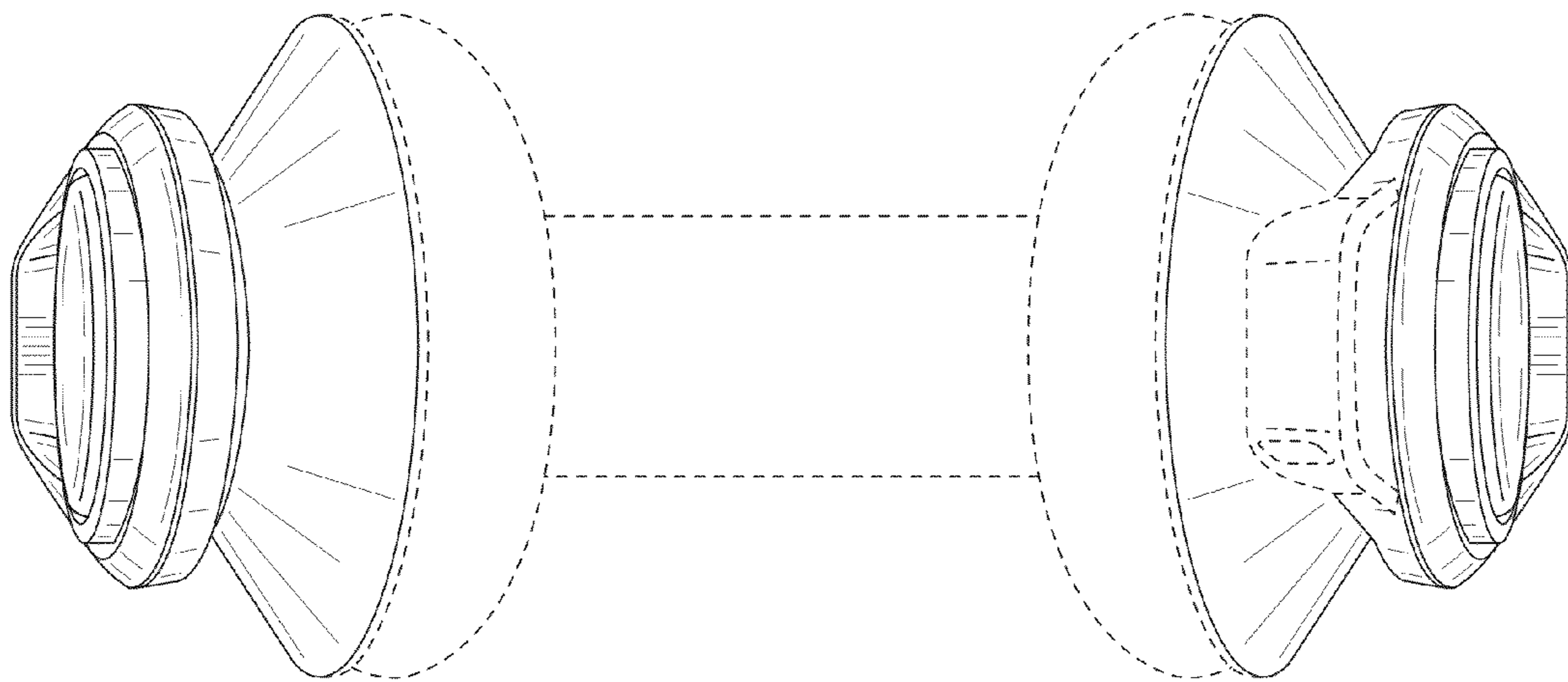
**FIG. 4**



**FIG. 5**



**FIG. 6**



**FIG. 7**