



US00D713816S

(12) **United States Design Patent**
Fleetwood et al.

(10) **Patent No.:** **US D713,816 S**

(45) **Date of Patent:** **** Sep. 23, 2014**

(54) **WIRELESS END NODE**

(75) Inventors: **Stephen W. Fleetwood**, Knoxville, TN (US); **Stephen Russ Berry**, Knoxville, TN (US); **John O'Brien Evans**, Knoxville, TN (US); **Michael Joseph Millius**, South Elgin, IL (US)

(73) Assignee: **Thermo King Corporation**, Minneapolis, MN (US)

(**) Term: **14 Years**

(21) Appl. No.: **29/416,397**

(22) Filed: **Mar. 21, 2012**

(51) **LOC (10) Cl.** **14-03**

(52) **U.S. Cl.**
USPC **D14/155**

(58) **Field of Classification Search**
USPC D14/167, 154, 168, 188, 496, 156, 160, D14/161, 162, 163, 164, 165, 158, 341, 346, D14/342, 345, 155, 218, 225; D16/208; D26/38; 455/351, 350, 575.1, 556.1; D10/104, 106, 65, 57
See application file for complete search history.

(56) **References Cited**

U.S. PATENT DOCUMENTS

D478,057 S * 8/2003 Cohen et al. D14/155
D506,989 S * 7/2005 Seil et al. D14/155
D519,478 S * 4/2006 Lee et al. D14/138 AB

D521,526 S * 5/2006 Suckle et al. D14/496
D526,990 S * 8/2006 Slevin et al. D14/149
D527,666 S * 9/2006 Tal et al. D10/106.6
D619,558 S * 7/2010 Seil et al. D14/155
D671,091 S * 11/2012 Hauser et al. D14/155
D671,093 S * 11/2012 Hauser et al. D14/155
D674,786 S * 1/2013 Park D14/240
D696,223 S * 12/2013 Will et al. D14/155

* cited by examiner

Primary Examiner — Austin Murphy

(74) *Attorney, Agent, or Firm* — Hamre, Schumann, Mueller & Larson, P.C.

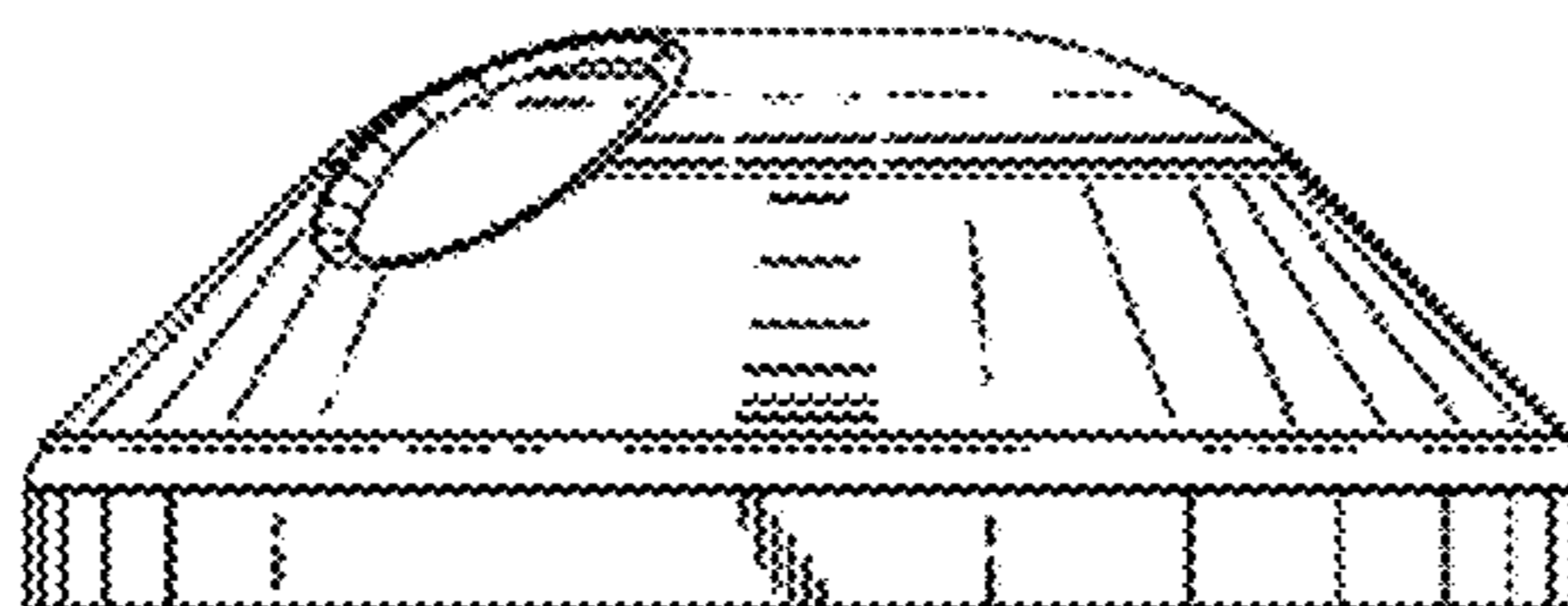
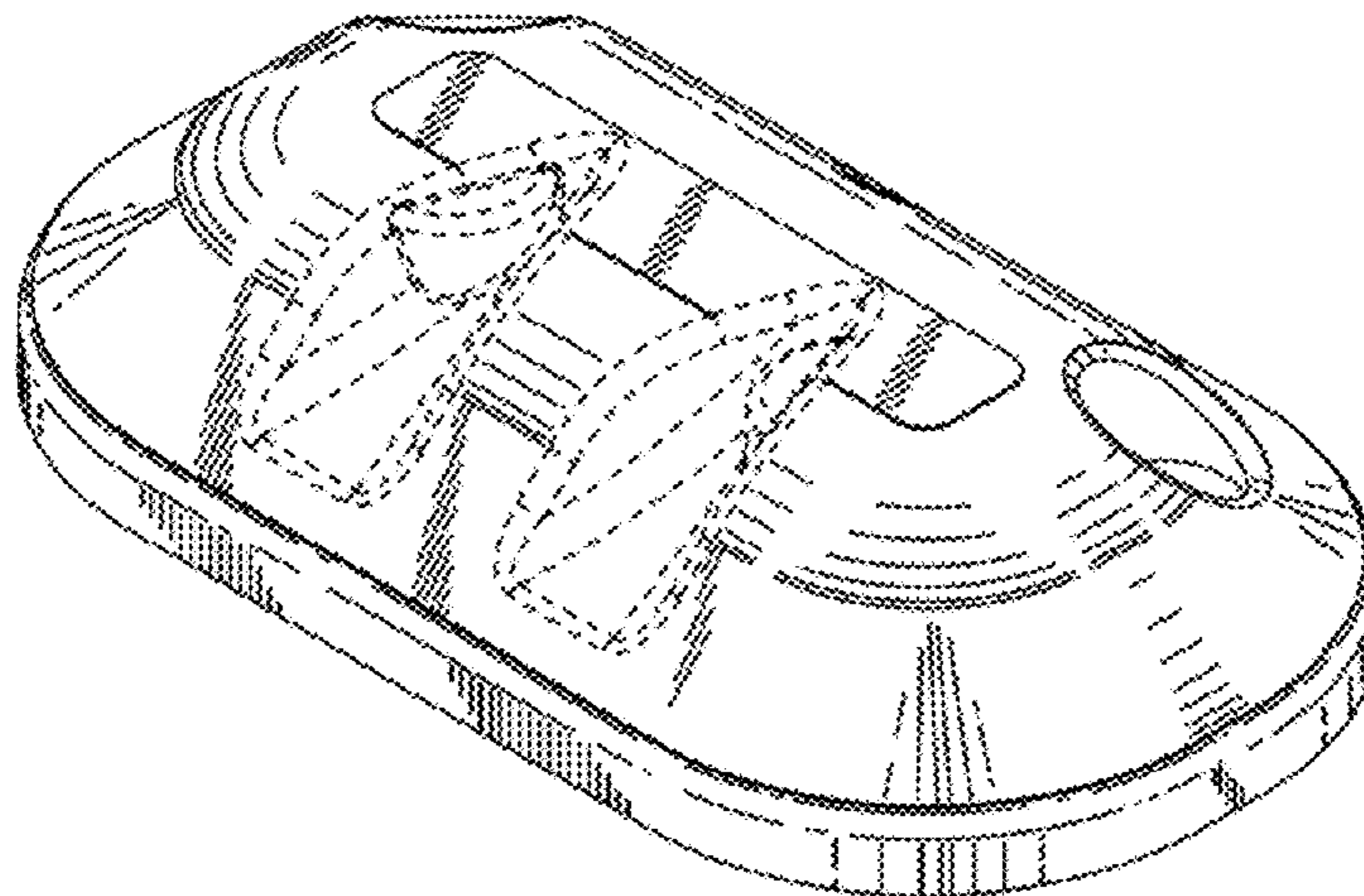
(57) **CLAIM**

The ornamental design for a wireless end node, as shown and described.

DESCRIPTION

FIG. 1 is a front perspective view of a wireless end node module showing our new design; FIG. 2 is a top elevational view thereof; FIG. 3 is a bottom elevational view thereof; FIG. 4 is a front side elevational view thereof; FIG. 5 is a rear side elevational view thereof; FIG. 6 is a right elevational view thereof; and, FIG. 7 is a left elevational view thereof. Surface shading in the FIGS. 1-7 is provided to show clearly the character and contour of all surfaces of any three-dimensional aspects of the design. The broken lines shown in the FIGS. 1-7 are for illustrative purposes only and forms no part of the claimed design.

1 Claim, 7 Drawing Sheets



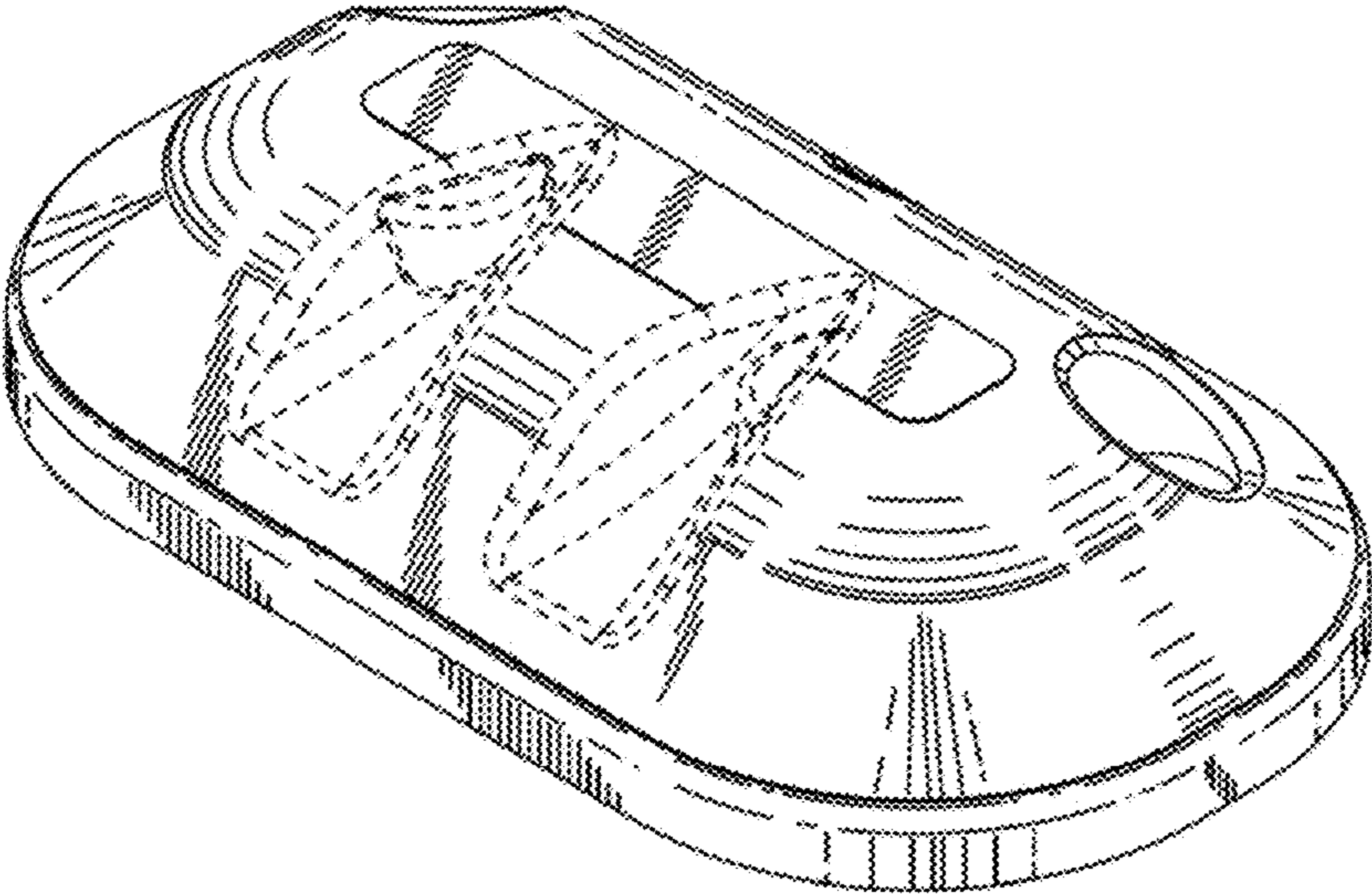


Fig. 1

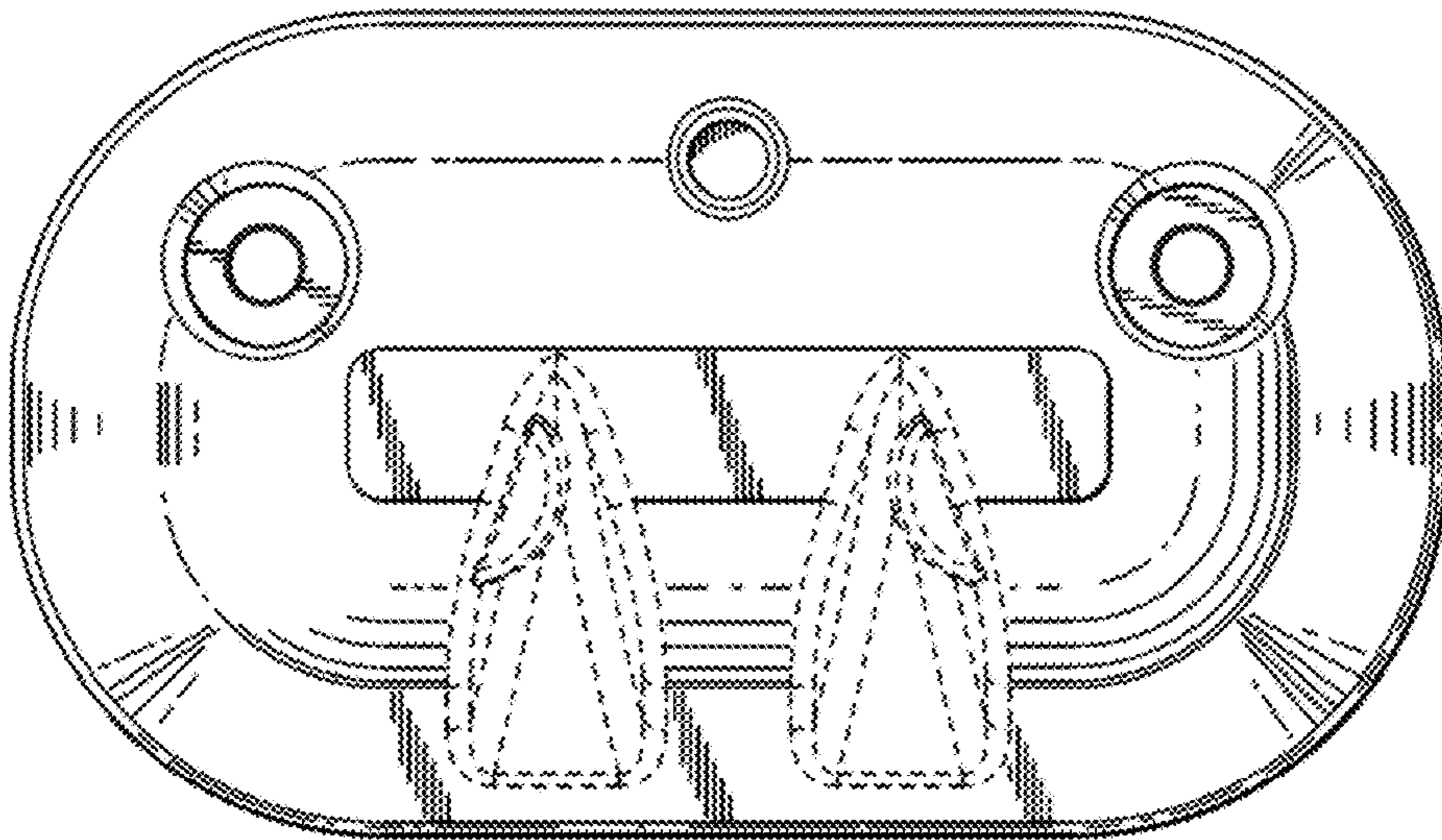


Fig. 2

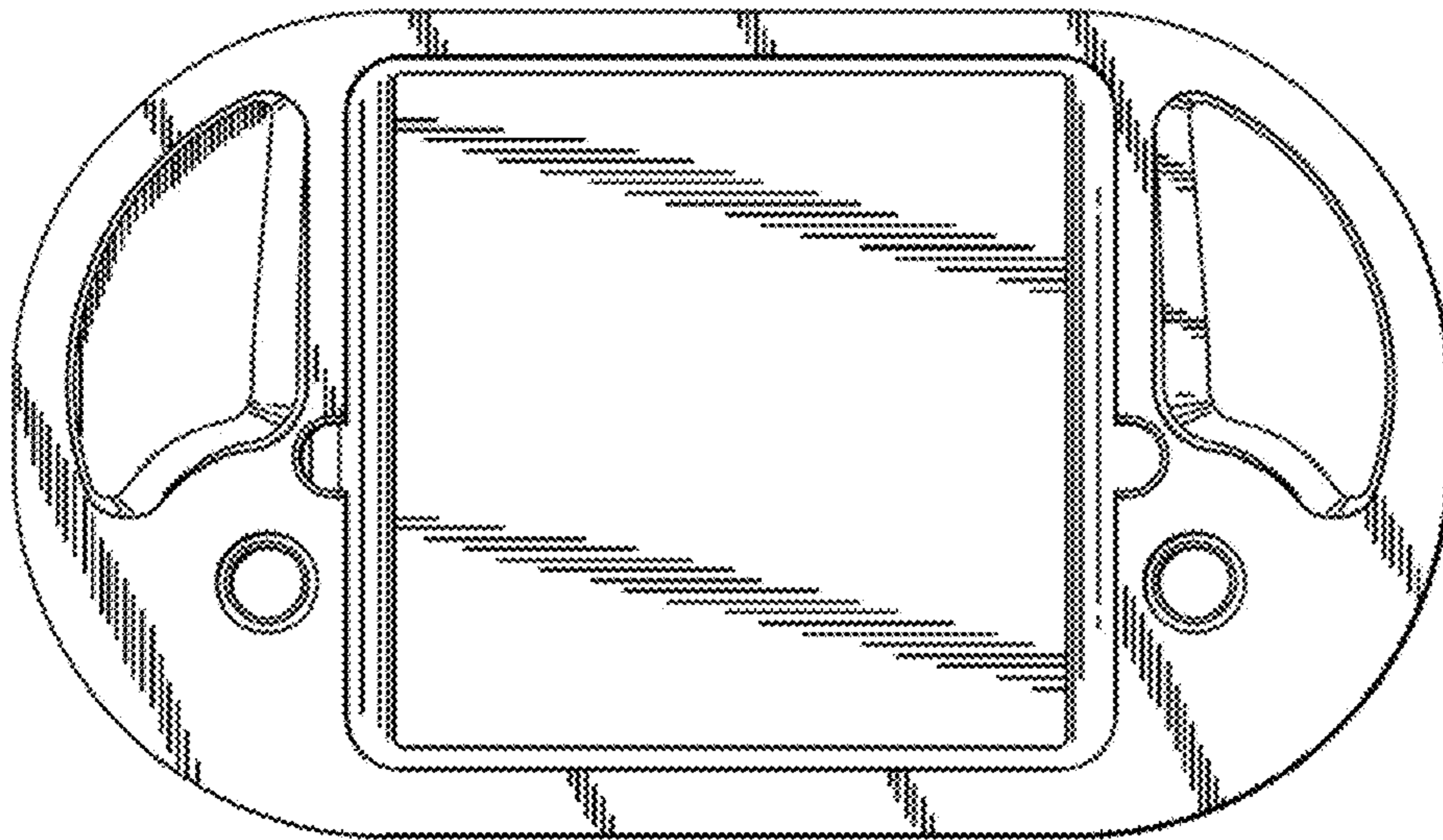


Fig. 3

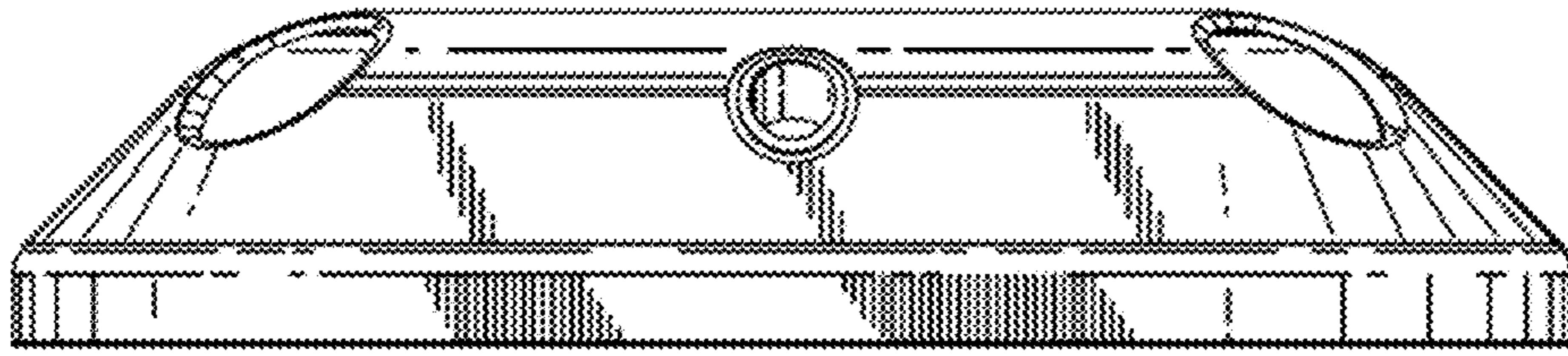


Fig. 4

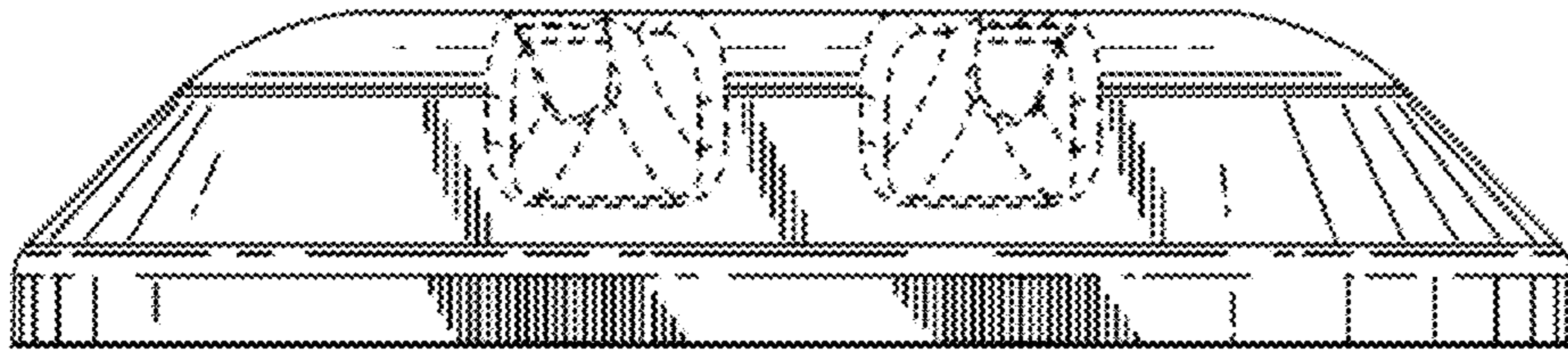


Fig. 5



Fig. 6

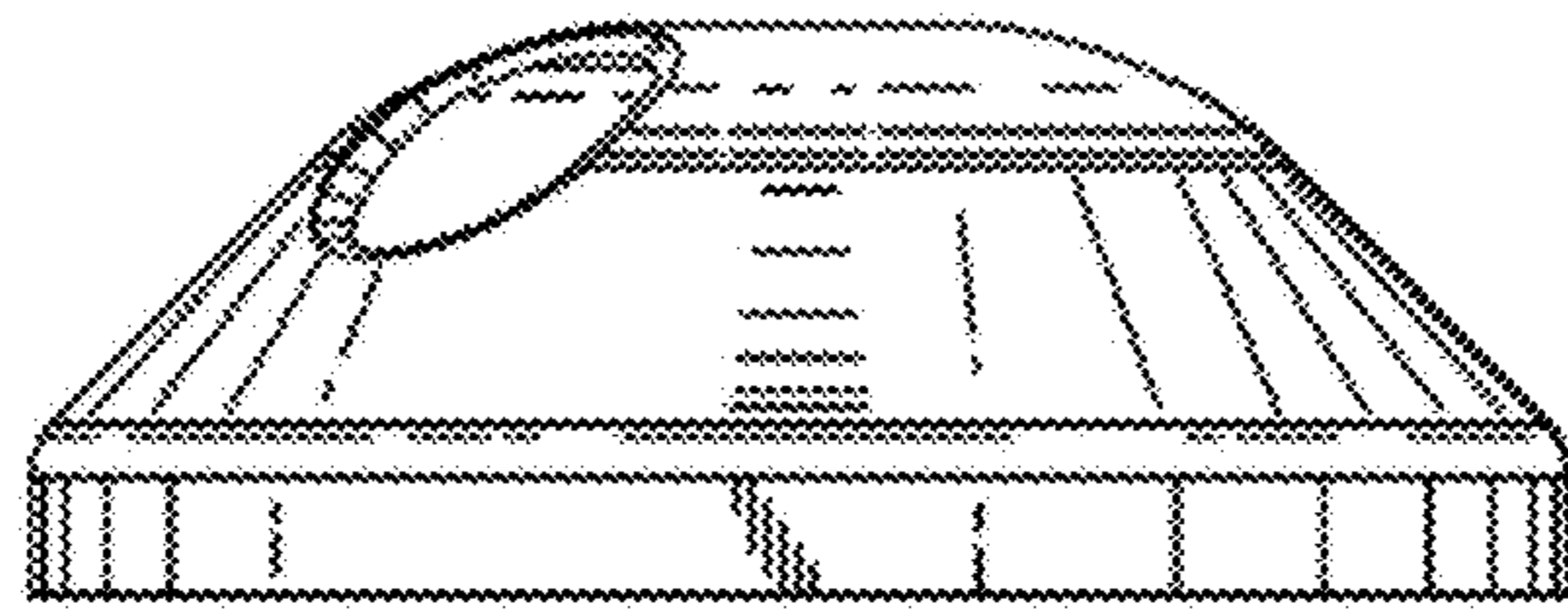


Fig. 7