



US00D713805S

(12) **United States Design Patent**
Kim et al.

(10) **Patent No.:** **US D713,805 S**
(45) **Date of Patent:** **** Sep. 23, 2014**

(54) **TELEVISION RECEIVER**
(71) Applicant: **LG Electronics Inc.**, Seoul (KR)
(72) Inventors: **Junki Kim**, Seoul (KR); **Taeho Kim**, Seoul (KR); **Dongwon Choi**, Seoul (KR); **Kyoyoon Koo**, Seoul (KR)
(73) Assignee: **LG Electronics Inc.**, Seoul (KR)
(**) Term: **14 Years**
(21) Appl. No.: **29/450,992**
(22) Filed: **Mar. 27, 2013**
(30) **Foreign Application Priority Data**
Sep. 28, 2012 (KR) 30-2012-0047027
(51) **LOC (10) Cl.** **14-03**
(52) **U.S. Cl.**
USPC **D14/126**
(58) **Field of Classification Search**
CPC ... G06F 1/1601; G06F 1/1643; H05K 5/0004; H05K 5/0017; H05K 5/02; H05K 5/0217
USPC D14/125-134, 239, 371, 136, 374-377, D14/440, 450, 448, 336, 342, 159; 312/7.2; 348/836, 838, 180, 184, 325, 739; 248/917-924, 465; 345/104, 133, 156, 345/168, 87, 173; D21/329, 515, 577, 622, D21/333, 433, 448, 452, 450, 331, 505; D10/15, 26; 446/484, 175, 356; D6/477, 479, 300
See application file for complete search history.

D616,400 S * 5/2010 Lee et al. D14/126
D621,374 S * 8/2010 Kim et al. D14/126
D630,210 S * 1/2011 Andre et al. D14/374
D638,013 S 5/2011 Andre et al.
D643,392 S * 8/2011 Ryu et al. D14/126

(Continued)

FOREIGN PATENT DOCUMENTS

JP D1190838 11/2003
JP D1391282 6/2010

(Continued)

OTHER PUBLICATIONS

Community Design 890702-1, Television sets, Apr. 4, 2008; pp. 1-2.

(Continued)

Primary Examiner — Raphael Barkai
(74) *Attorney, Agent, or Firm* — Morgan, Lewis & Bockius LLP

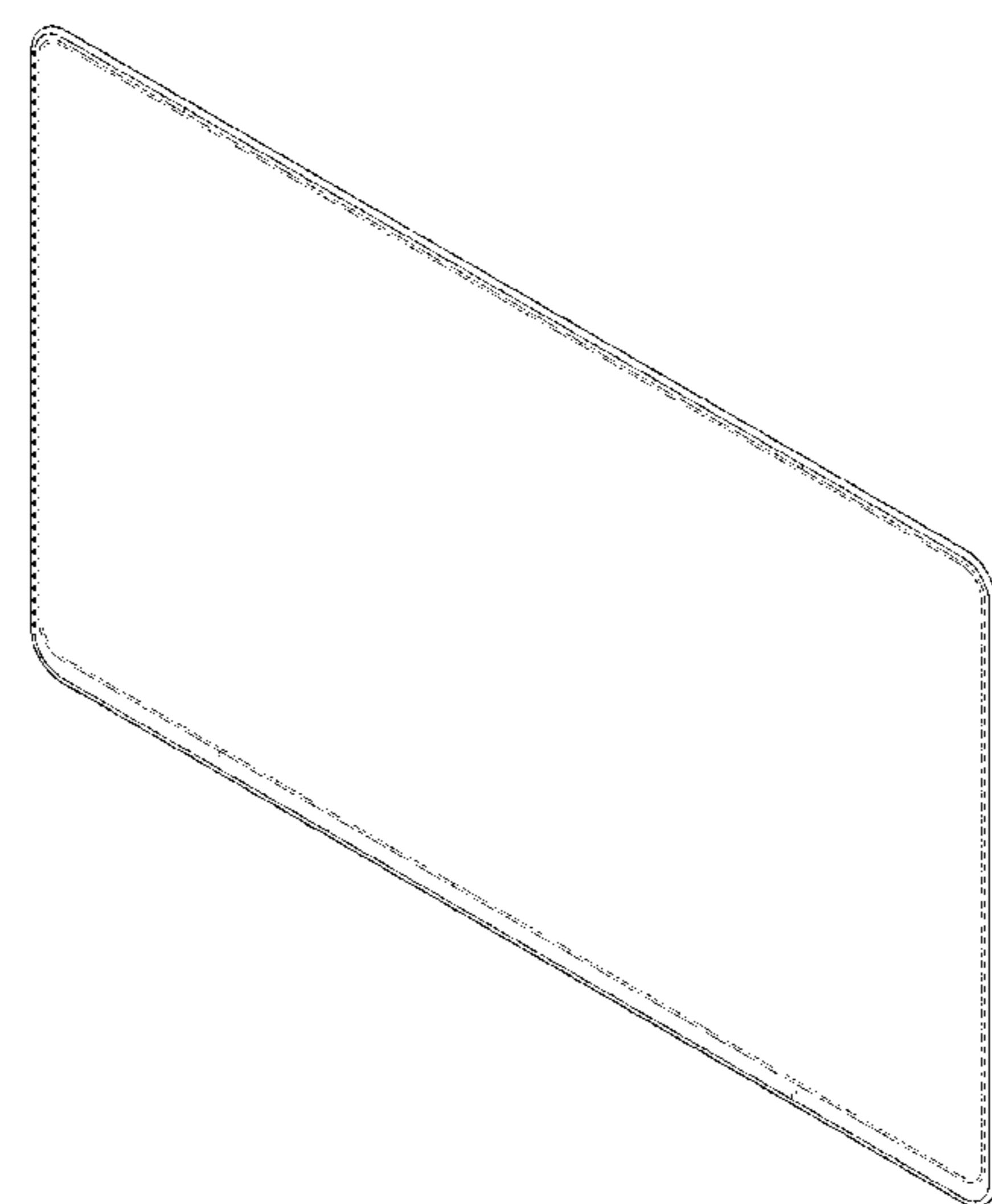
(57) **CLAIM**
The ornamental design for a television receiver, as shown and described.

DESCRIPTION

FIG. 1 is a perspective view of a television receiver showing our new design;
FIG. 2 is a front view thereof;
FIG. 3 is a rear view thereof;
FIG. 4 is a left side view thereof where the right side view is a mirror image;
FIG. 5 is a top plan view thereof where the bottom plan view is a mirror image; and,
FIG. 6 is a reference perspective view thereof showing the claimed part of the television receiver by hatching.
The broken lines are for illustrative purposes only and form no part of the claimed design.

1 Claim, 6 Drawing Sheets

(56) **References Cited**
U.S. PATENT DOCUMENTS
D598,405 S 8/2009 Kuramashi
D609,705 S * 2/2010 Andre et al. D14/374



(56)

References Cited

KR 30-0656098 8/2012
KR 30-0673953 12/2012

U.S. PATENT DOCUMENTS

D657,760 S * 4/2012 Kim et al. D14/126
D659,663 S * 5/2012 Xu et al. D14/126
D661,272 S * 6/2012 Kim et al. D14/126
D663,706 S * 7/2012 Cha et al. D14/126
D666,165 S * 8/2012 Kim et al. D14/126
D670,692 S 11/2012 Akana et al.
D671,938 S 12/2012 Hsu et al.
D673,129 S * 12/2012 Kumano D14/126
D699,695 S * 2/2014 Kim et al. D14/126
D699,696 S * 2/2014 Kim et al. D14/126

FOREIGN PATENT DOCUMENTS

JP D1391859 7/2010

OTHER PUBLICATIONS

Community Design 1003412-1, Television receivers, Oct. 17, 2008,
pp. 1-2.
Community Design 1750100-1, Monitors, Jul. 12, 2011, pp. 1-2.
Community Design 2134551-1, Fake television sets, Nov. 30, 2012,
pp. 1-2.
Community Design 1802752-1, Monitors, Jan. 12, 2011, pp. 1-2.

* cited by examiner

FIG. 1

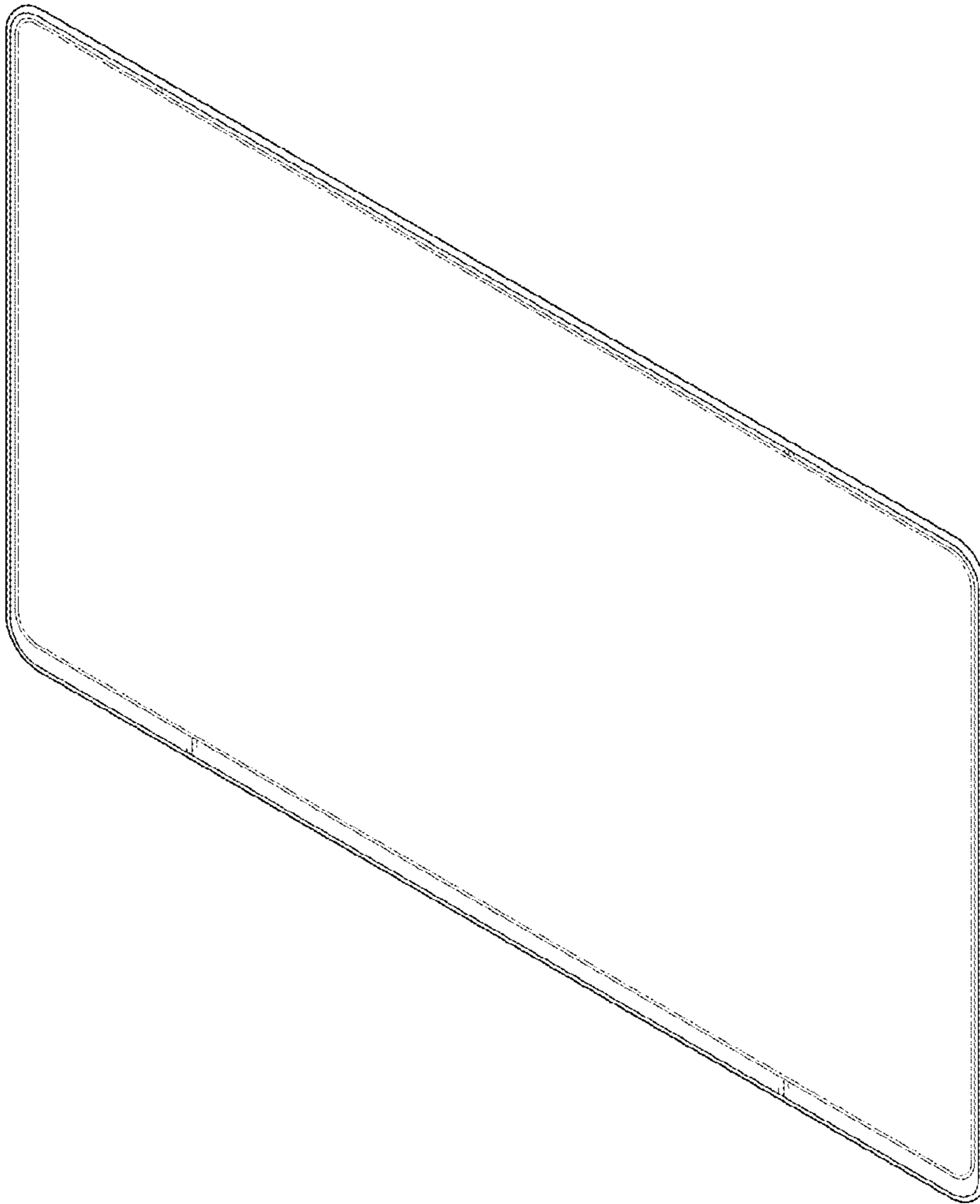


FIG. 2



FIG. 3

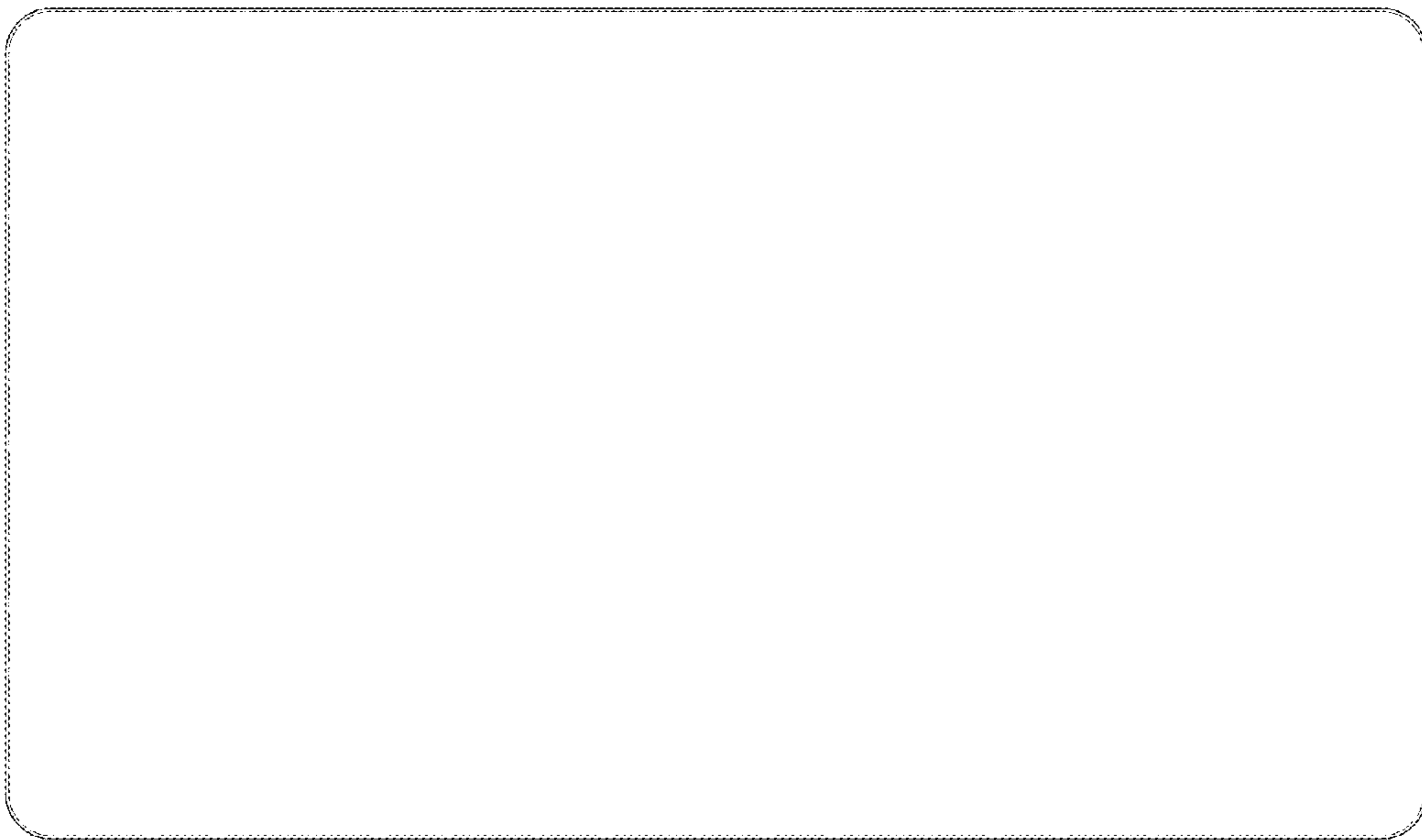


FIG. 4

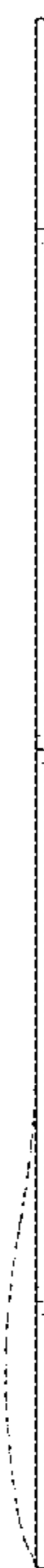


FIG. 5



FIG. 6

