



US00D713804S

(12) **United States Design Patent**
Britt et al.

(10) **Patent No.:** **US D713,804 S**

(45) **Date of Patent:** **** Sep. 23, 2014**

(54) **LIGHT EMITTING DIODE (LED) PACKAGE WITH MULTIPLE ANODES AND CATHODES**

(75) Inventors: **Jeffrey Carl Britt**, Cary, NC (US);
Michael P. Laughner, Cary, NC (US);
Brandon Stanton, Raleigh, NC (US)

(73) Assignee: **Cree, Inc.**, Durham, NC (US)

(**) Term: **14 Years**

(21) Appl. No.: **29/420,876**

(22) Filed: **May 14, 2012**
(Under 37 CFR 1.47)

(51) **LOC (10) Cl.** **13-03**

(52) **U.S. Cl.**
USPC **D13/180**

(58) **Field of Classification Search**
USPC D13/180; D26/1; 257/79, 80, 81, 88,
257/89, 95, 98, 99, 100, E33.058; 313/483,
313/498, 500; 362/555, 800
See application file for complete search history.

(56) **References Cited**

U.S. PATENT DOCUMENTS

D615,504 S	*	5/2010	Keller et al.	D13/180
D628,965 S	*	12/2010	Kuwaharada et al.	D13/180
D628,966 S	*	12/2010	Kuwaharada et al.	D13/180
D631,020 S	*	1/2011	Chuang et al.	D13/180
D636,741 S	*	4/2011	Kuwaharada et al.	D13/180
D642,141 S	*	7/2011	Kuwaharada et al.	D13/180
D642,142 S	*	7/2011	Kuwaharada et al.	D13/180
D642,143 S	*	7/2011	Kuwaharada et al.	D13/180
D643,381 S		8/2011	Hsieh		
D645,416 S	*	9/2011	Kuwaharada et al.	D13/180
D645,419 S	*	9/2011	Kuwaharada et al.	D13/180
D645,420 S	*	9/2011	Kuwaharada et al.	D13/180
D646,645 S	*	10/2011	Chen et al.	D13/180
D649,943 S	*	12/2011	Kuwaharada et al.	D13/180
D649,944 S	*	12/2011	Kuwaharada et al.	D13/180
D650,341 S	*	12/2011	Kuwaharada et al.	D13/180

D650,342 S	*	12/2011	Kuwaharada et al.	D13/180
D650,343 S		12/2011	Andrews et al.		
D658,139 S	*	4/2012	Andrews et al.	D13/180
D660,257 S	*	5/2012	Andrews et al.	D13/180
D674,758 S	*	1/2013	Wu et al.	D13/180

(Continued)

OTHER PUBLICATIONS

Notice of Allowance for U.S. Appl. No. 29/420,874 mailed Apr. 23, 2014, 8 pages.

Primary Examiner — Selina Sikder

(74) *Attorney, Agent, or Firm* — Withrow & Terranova, P.L.L.C.; Vincent K. Gustafson

(57) **CLAIM**

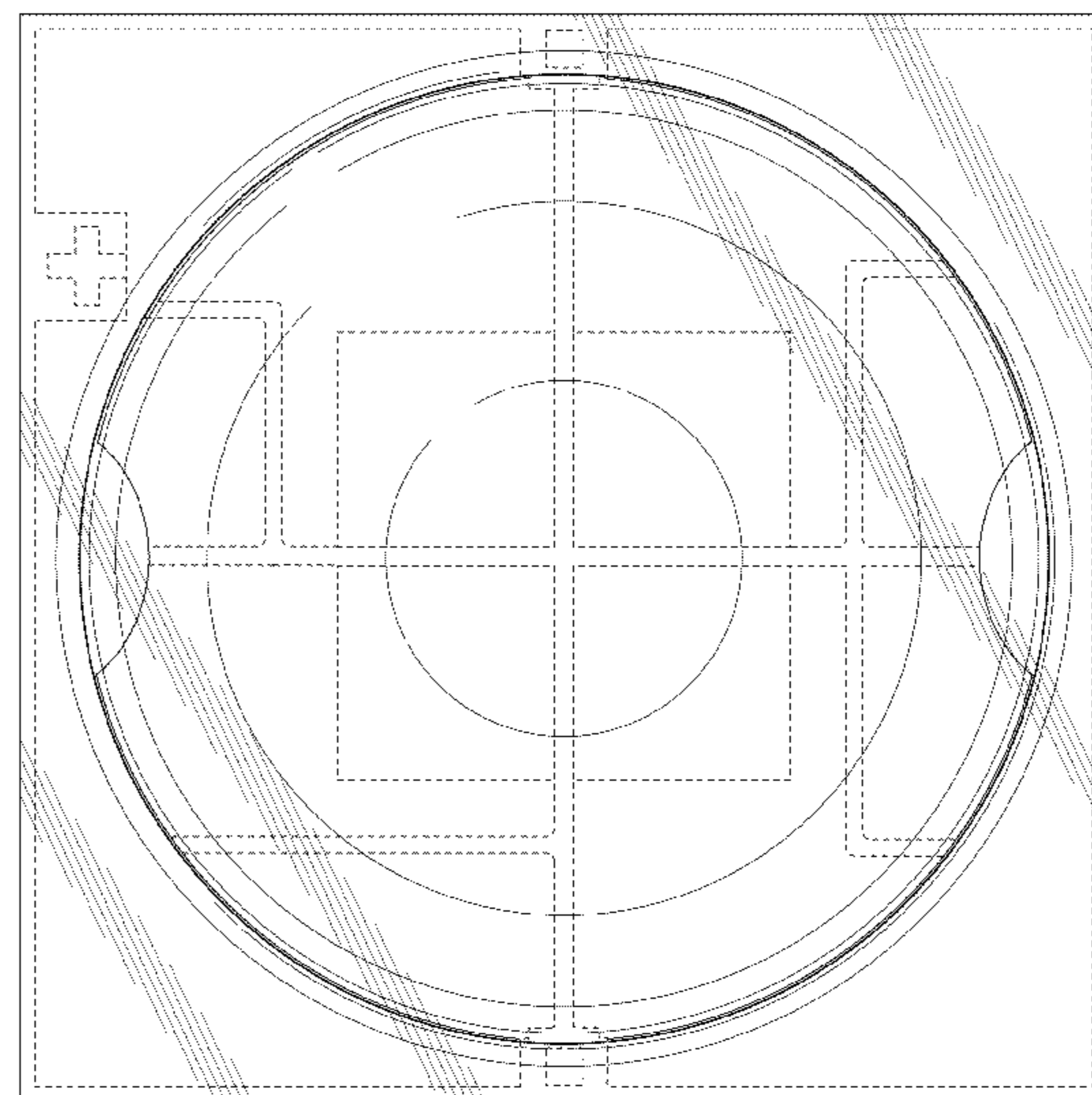
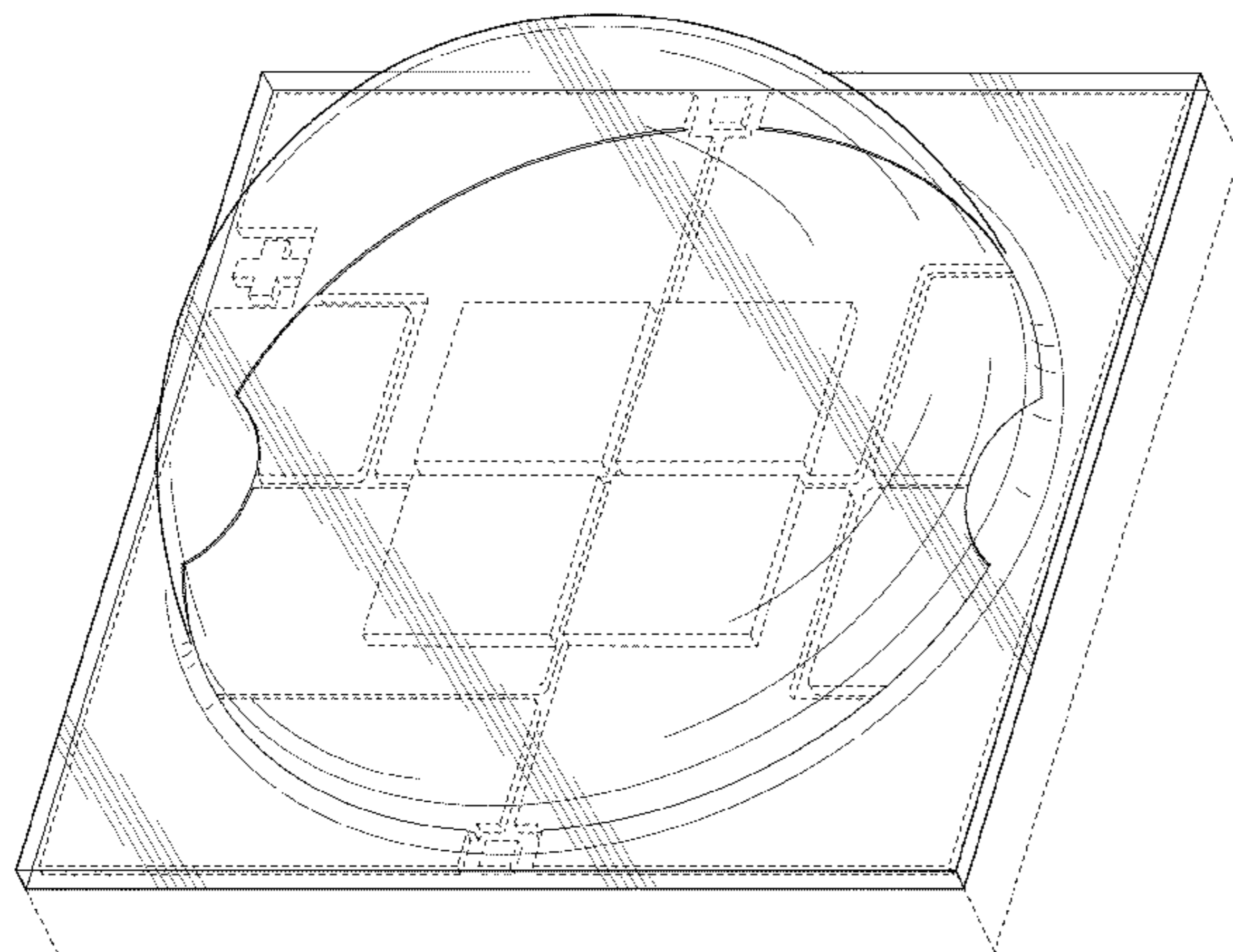
The ornamental design for a light emitting diode (LED) package with multiple anodes and cathodes, as shown and described.

DESCRIPTION

FIG. 1 is a perspective view of the light emitting diode (LED) package with multiple anodes and cathodes;
FIG. 2 is a top plan view of the light emitting diode (LED) package with multiple anodes and cathodes of FIG. 1;
FIG. 3 is a bottom plan view of the light emitting diode (LED) package with multiple anodes and cathodes of FIGS. 1-2;
FIG. 4 is a front elevation view of the light emitting diode (LED) package with multiple anodes and cathodes of FIGS. 1-3;
FIG. 5 is a rear elevation view of the light emitting diode (LED) package with multiple anodes and cathodes of FIGS. 1-4; and,
FIG. 6 is a left side elevation view of the light emitting diode (LED) package with multiple anodes and cathodes of FIGS. 1-5.

The dashed broken lines are included for the purpose of illustrating environment of the design and form no part of the claimed design.

1 Claim, 5 Drawing Sheets



(56)

References Cited

U.S. PATENT DOCUMENTS

D675,169 S * 1/2013 Chou D13/180
8,378,375 B2 * 2/2013 Lee 257/99
2009/0050907 A1 * 2/2009 Yuan et al. 257/88
2009/0108281 A1 * 4/2009 Keller et al. 257/98
2010/0140634 A1 * 6/2010 van de Ven et al. 257/88
2010/0176751 A1 * 7/2010 Oshio et al. 315/362

2010/0252851 A1 * 10/2010 Emerson et al. 257/98
2011/0062482 A1 * 3/2011 Solomensky et al. 257/99
2011/0121323 A1 * 5/2011 Wu et al. 257/88
2011/0127912 A1 * 6/2011 Lee et al. 315/32
2011/0220920 A1 9/2011 Collins
2012/0069564 A1 3/2012 Andrews
2012/0086024 A1 4/2012 Andrews
2012/0199852 A1 * 8/2012 Lowes et al. 257/88

* cited by examiner

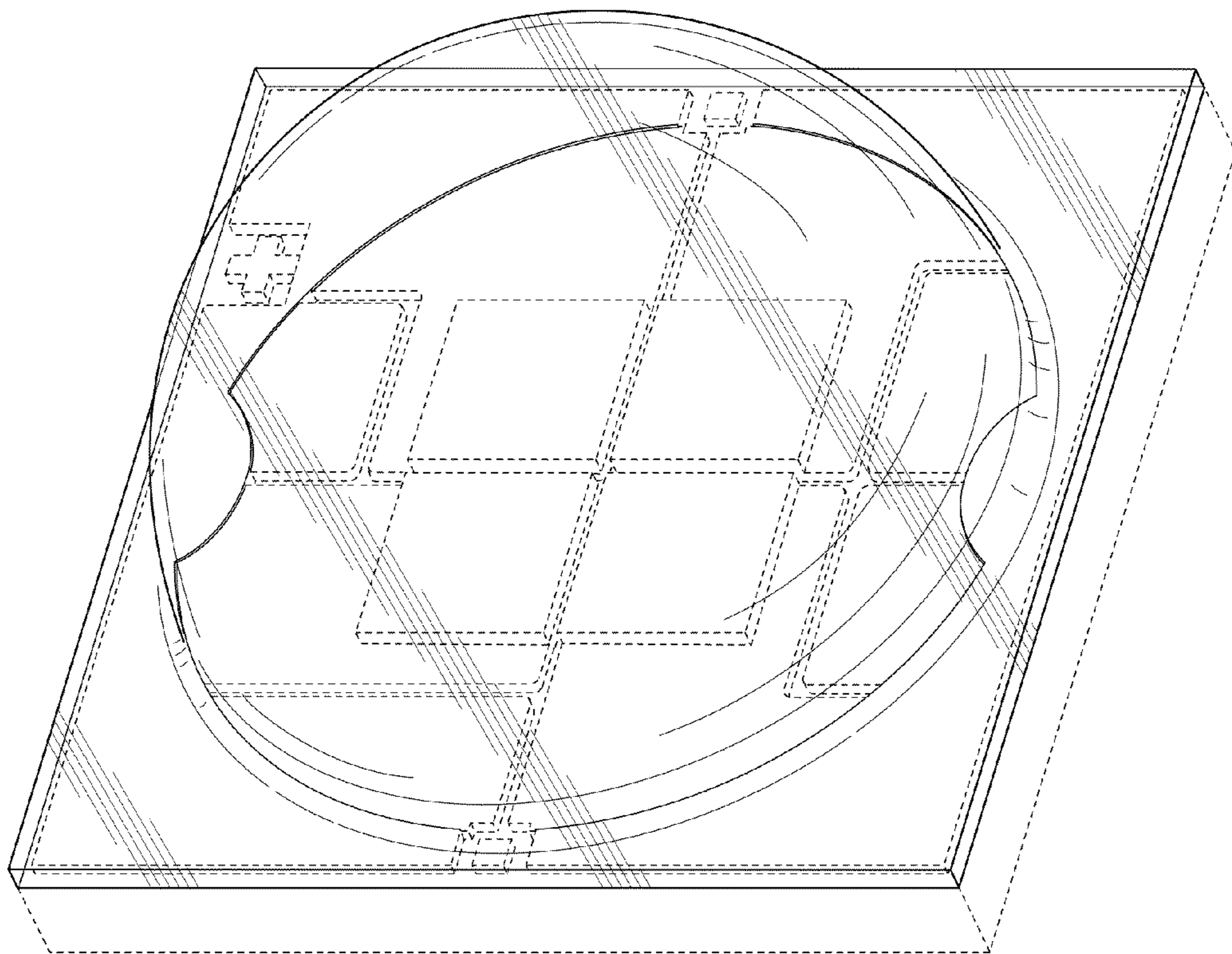


FIG. 1

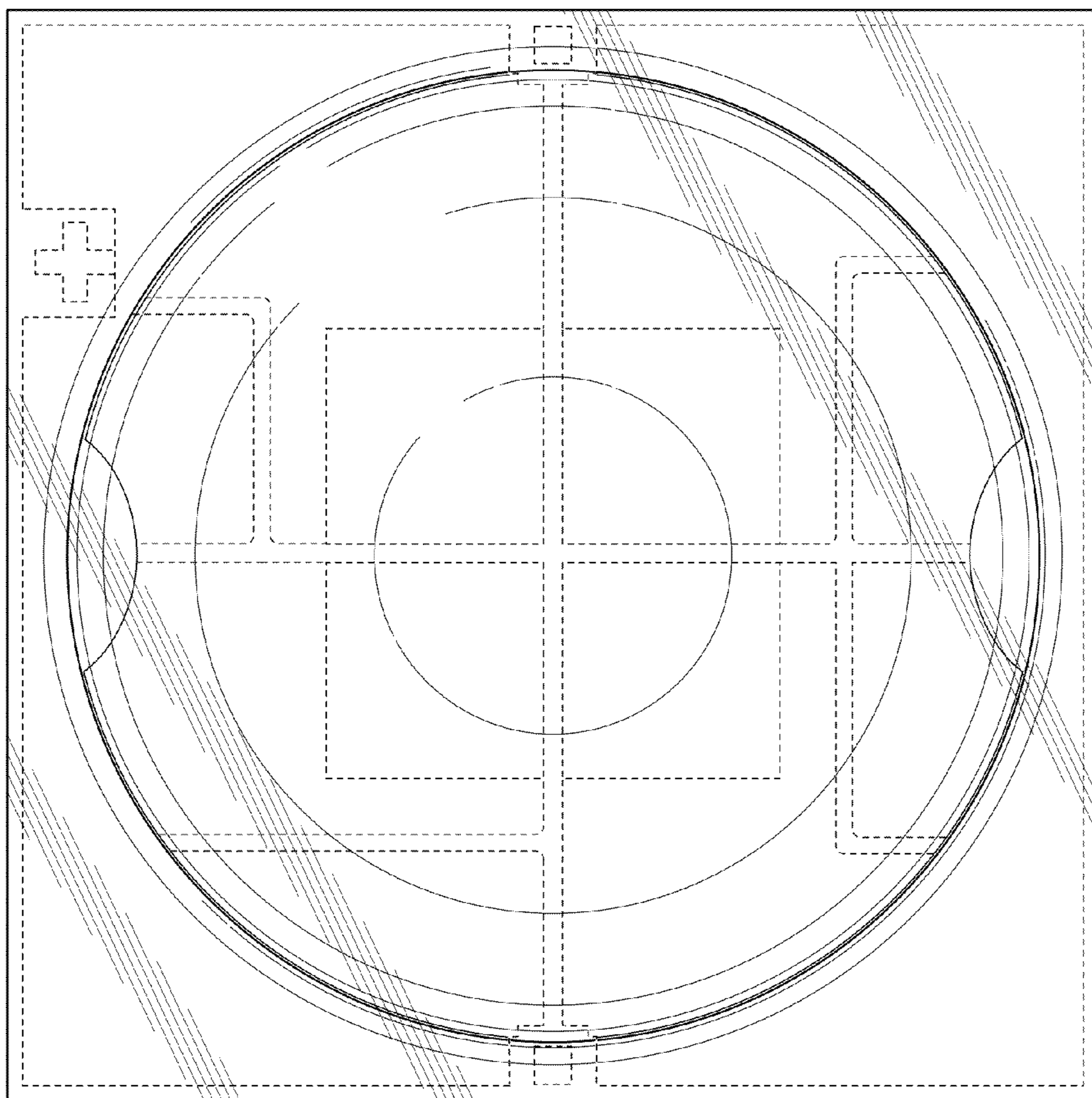


FIG. 2

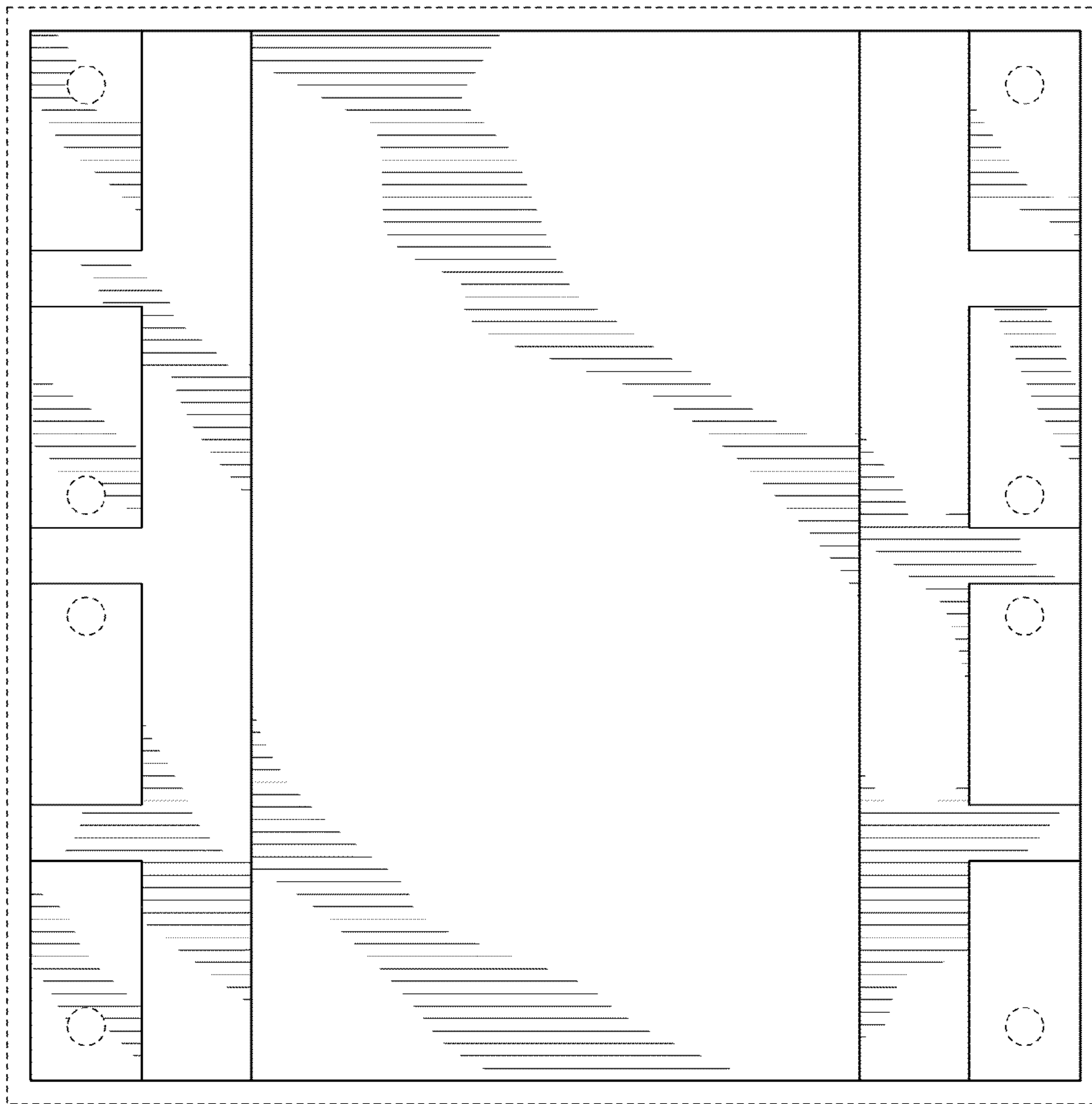


FIG. 3

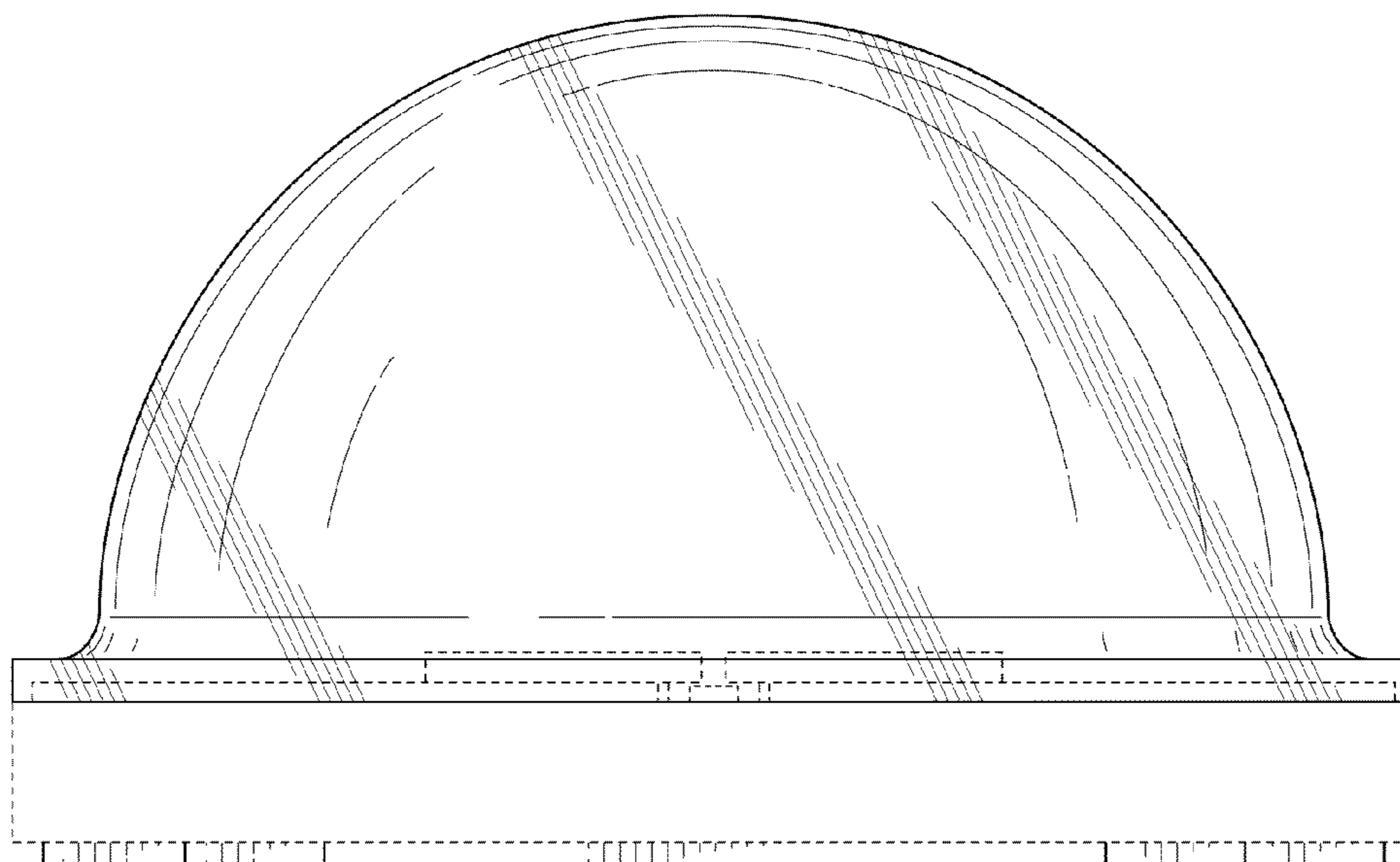


FIG. 4

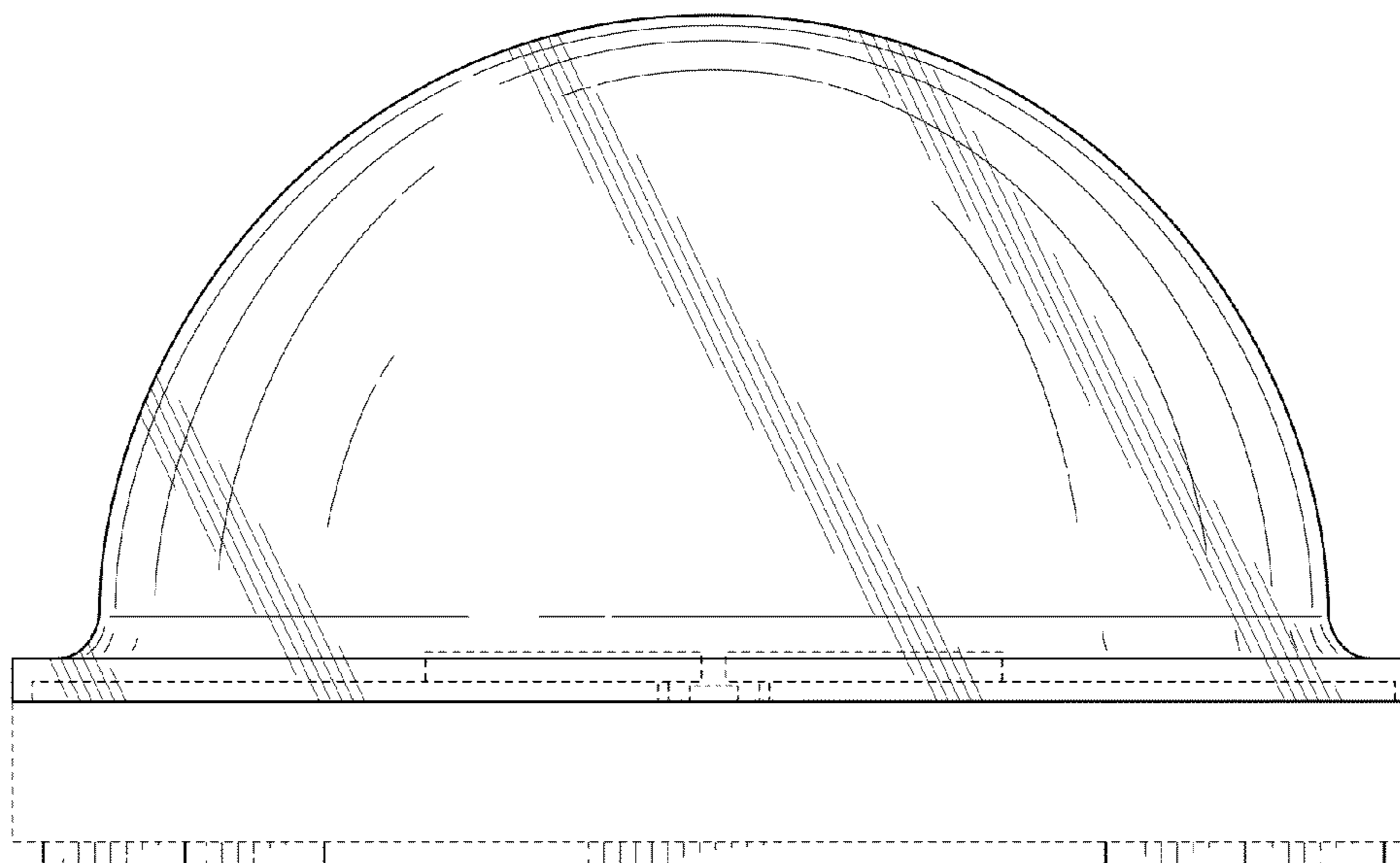


FIG. 5

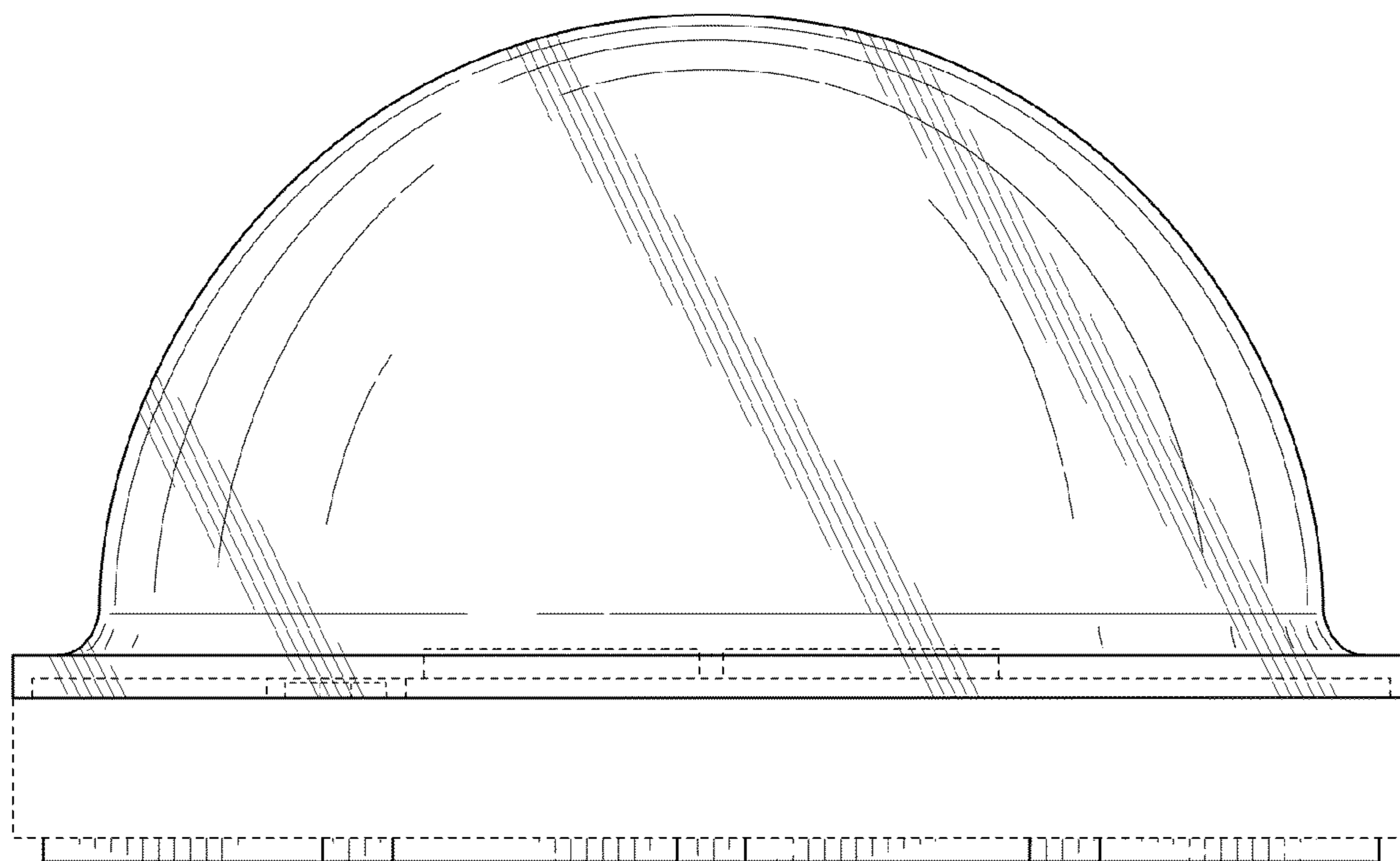


FIG. 6

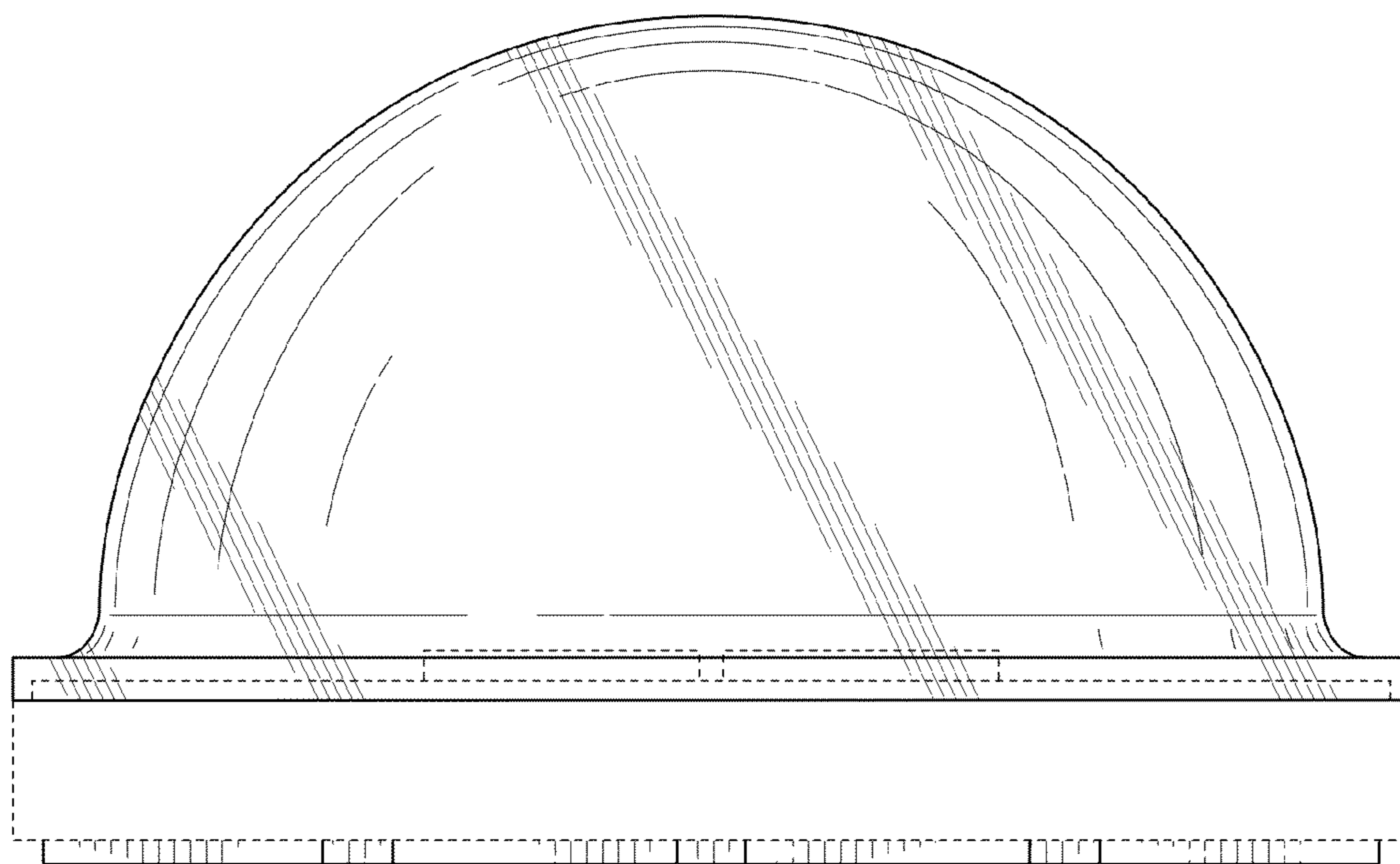


FIG. 7