



US00D713803S

(12) **United States Design Patent**
Bouyer et al.

(10) **Patent No.:** **US D713,803 S**

(45) **Date of Patent:** **** Sep. 23, 2014**

- (54) **REMOTE CONTROL DEVICE**
- (71) Applicant: **Schneider Electric Industries SAS**,
Rueil-Malmaison (FR)
- (72) Inventors: **Patrick Bouyer**, Sers (FR); **Thierry Fort**, Gimeux (FR); **Brice Raffin**,
Segonzac (FR); **Guillaume Reiner**,
Grenoble (FR)
- (73) Assignee: **Schneider Electric Industries SAS**,
Rueil Malmaison (FR)
- (**) Term: **14 Years**
- (21) Appl. No.: **29/433,898**
- (22) Filed: **Oct. 5, 2012**
- (51) **LOC (10) Cl.** **14-03**
- (52) **U.S. Cl.**
USPC **D13/168**
- (58) **Field of Classification Search**
USPC D13/168; D10/104.1, 106.1; D14/218;
D24/200; 341/176; 345/169; 455/352;
340/4.3, 4.42, 12.22, 12.23, 12.24,
340/12.29, 12.3, 13.2, 13.21, 13.24;
601/15, 46, 49, 80; 700/17, 65, 83
See application file for complete search history.

D460,950 S *	7/2002	Miller et al.	D13/168
D465,206 S *	11/2002	Hasselmann et al.	D13/168
D496,633 S *	9/2004	Krause	D13/168
D549,667 S *	8/2007	Huang	D13/168
D552,562 S *	10/2007	Yamamoto et al.	D13/168
D582,357 S *	12/2008	Decosse	D13/171
D602,878 S *	10/2009	Coleman et al.	D13/168
D612,338 S *	3/2010	Wieberdink et al.	D13/168
D623,148 S *	9/2010	Wieberdink et al.	D13/168
2013/0099906 A1 *	4/2013	Peng et al.	340/12.55

* cited by examiner

Primary Examiner — Selina Sikder

(74) *Attorney, Agent, or Firm* — Oblon, Spivak,
McClelland, Maier & Neustadt, L.L.P.

(57) **CLAIM**

The ornamental design for a remote control device, as shown and described.

DESCRIPTION

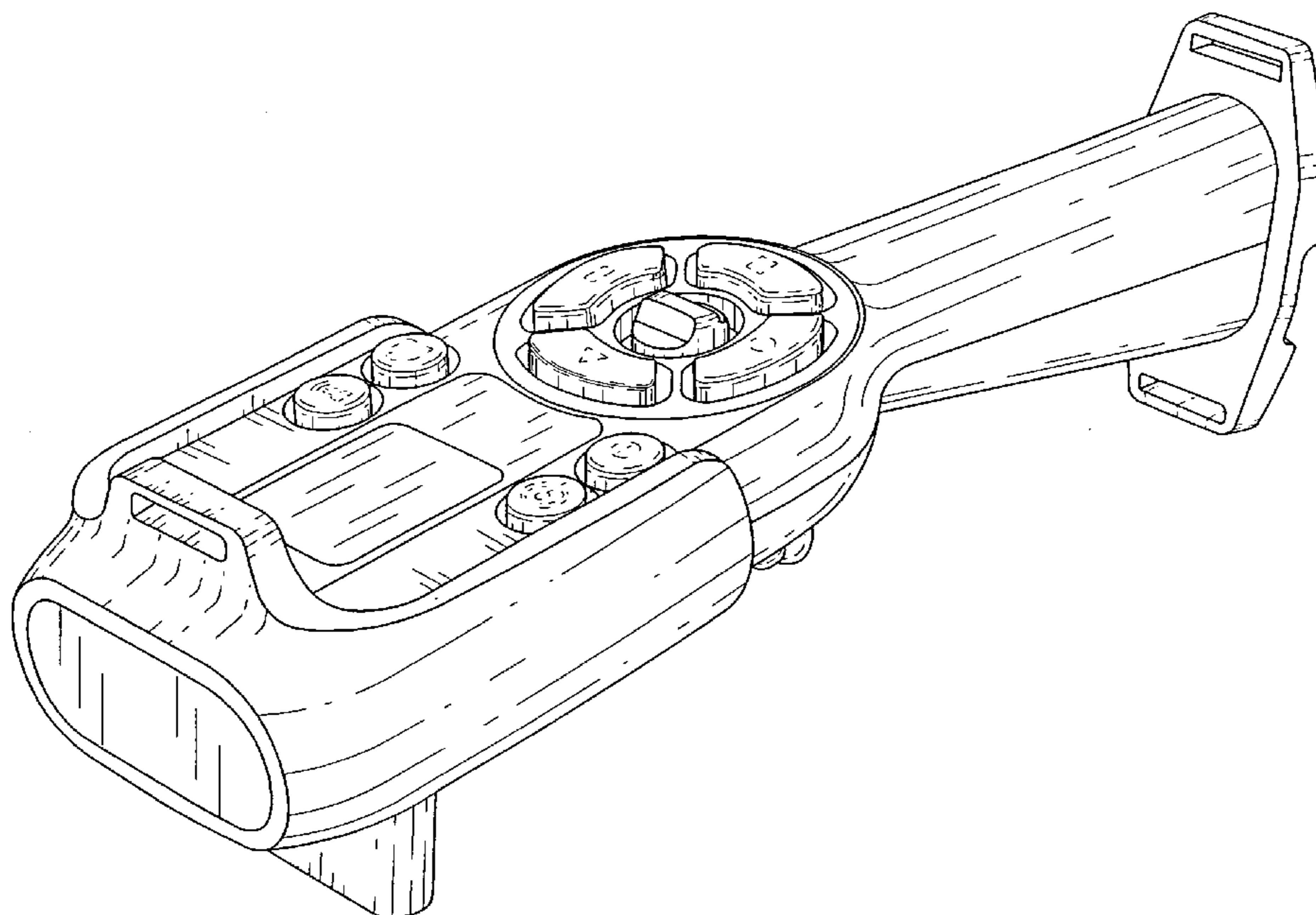
FIG. 1 is a front, top, and right side perspective view of a remote control device;
 FIG. 2 is a front elevational view thereof;
 FIG. 3 is a rear elevational view thereof;
 FIG. 4 is a top plan view thereof;
 FIG. 5 is a bottom plan view thereof;
 FIG. 6 is a right side elevational view thereof; and,
 FIG. 7 is a left side elevational view thereof.
 The broken lines in the drawings depict environmental subject matter only and form no part of the claimed design.

(56) **References Cited**

U.S. PATENT DOCUMENTS

D448,757 S * 10/2001 Okubo D14/511

1 Claim, 6 Drawing Sheets



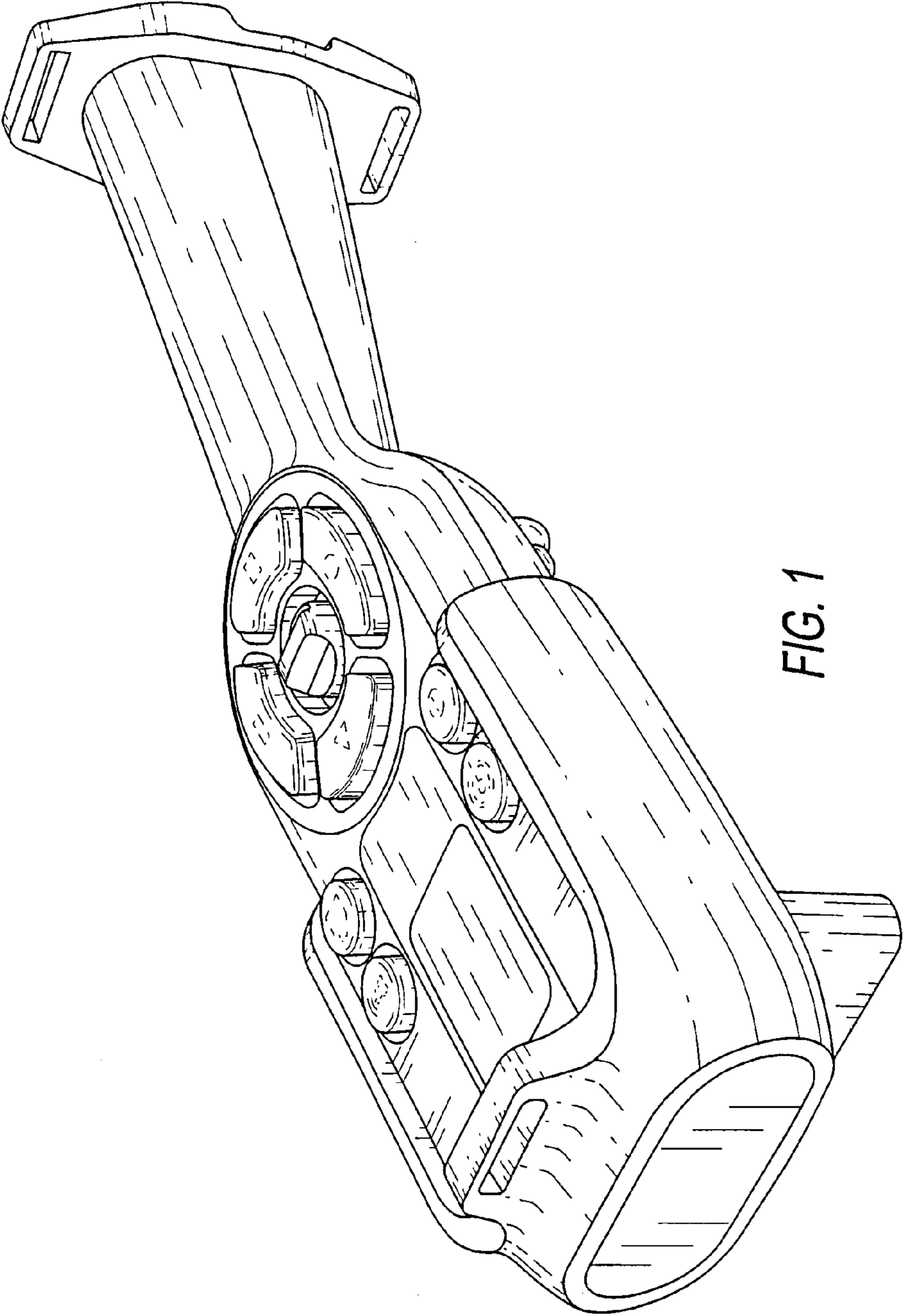


FIG. 1

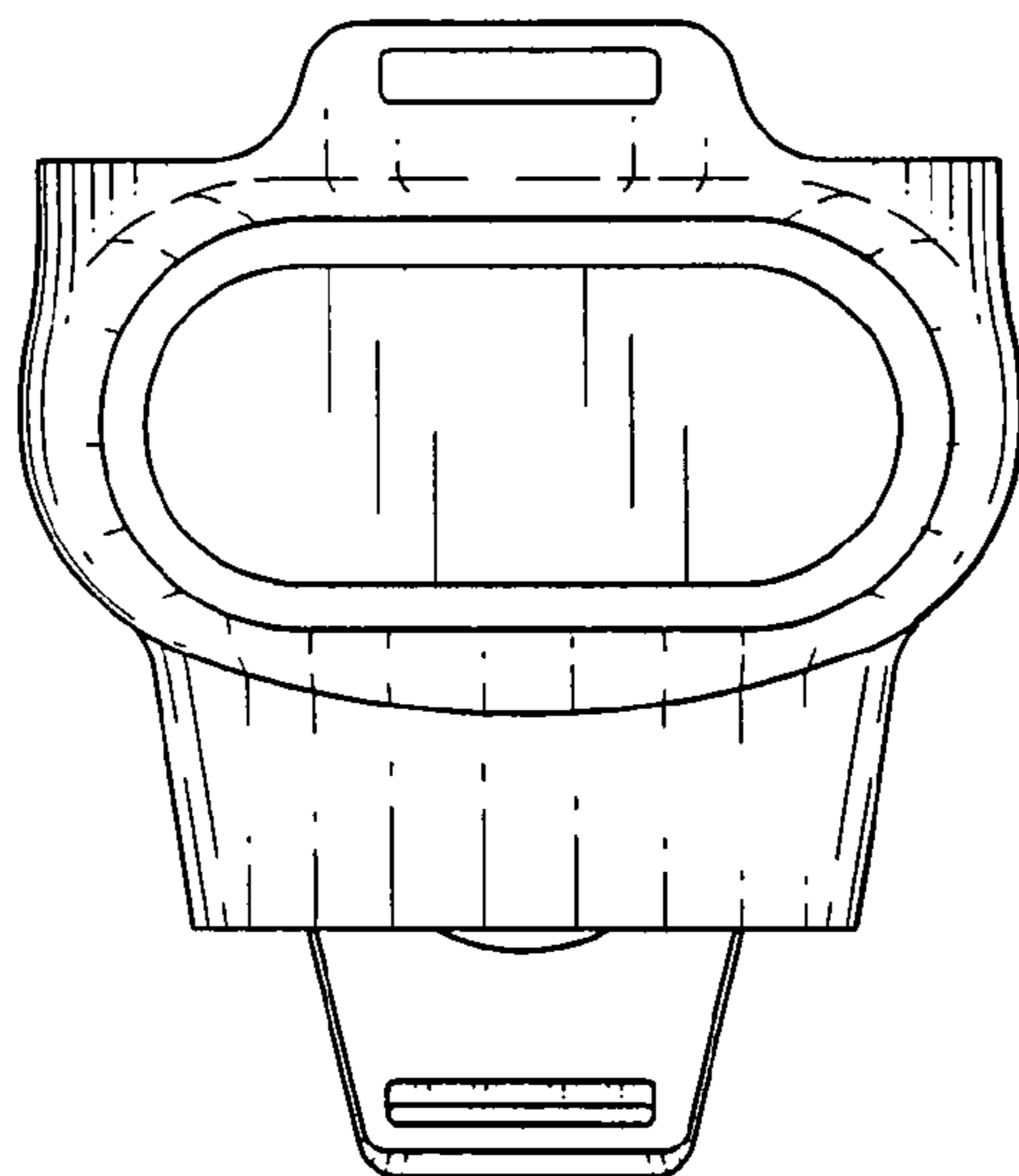


FIG. 2

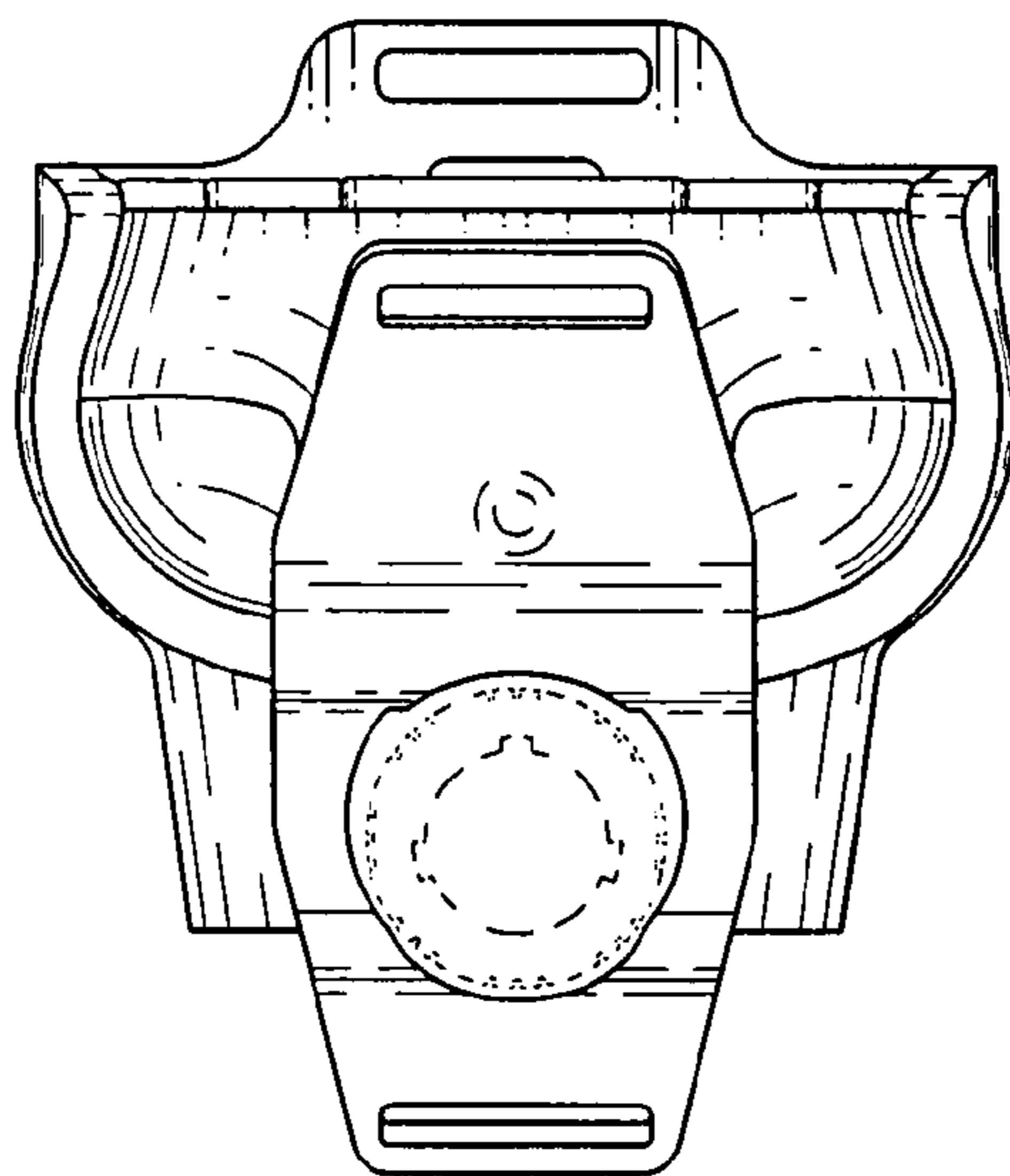


FIG. 3

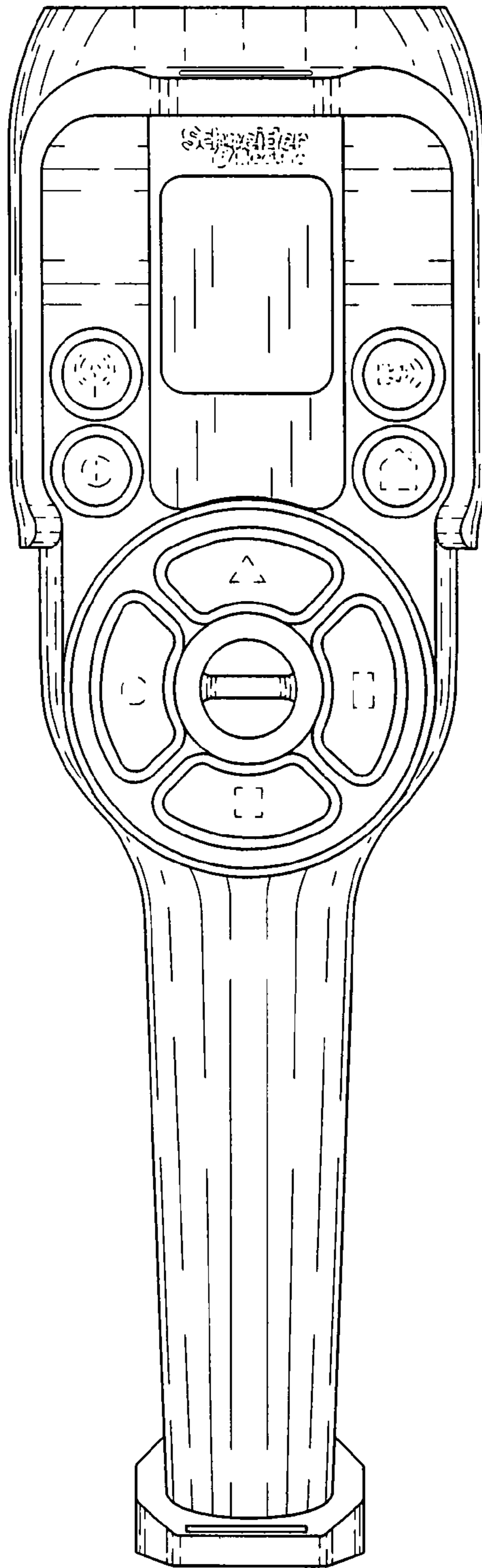


FIG. 4

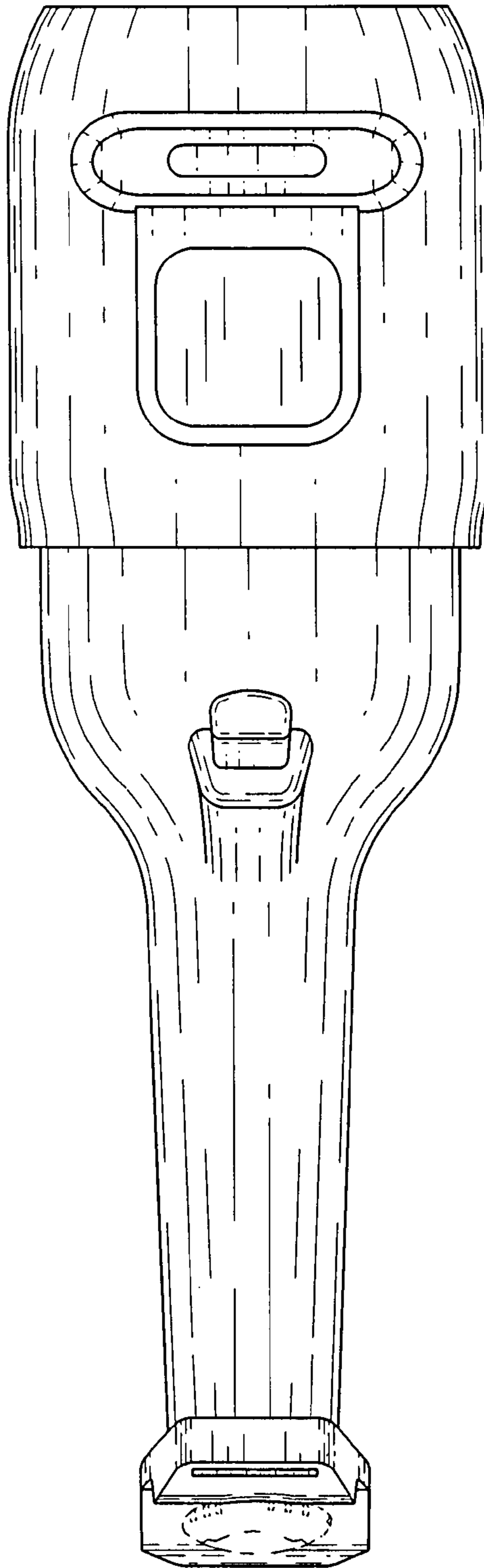


FIG. 5

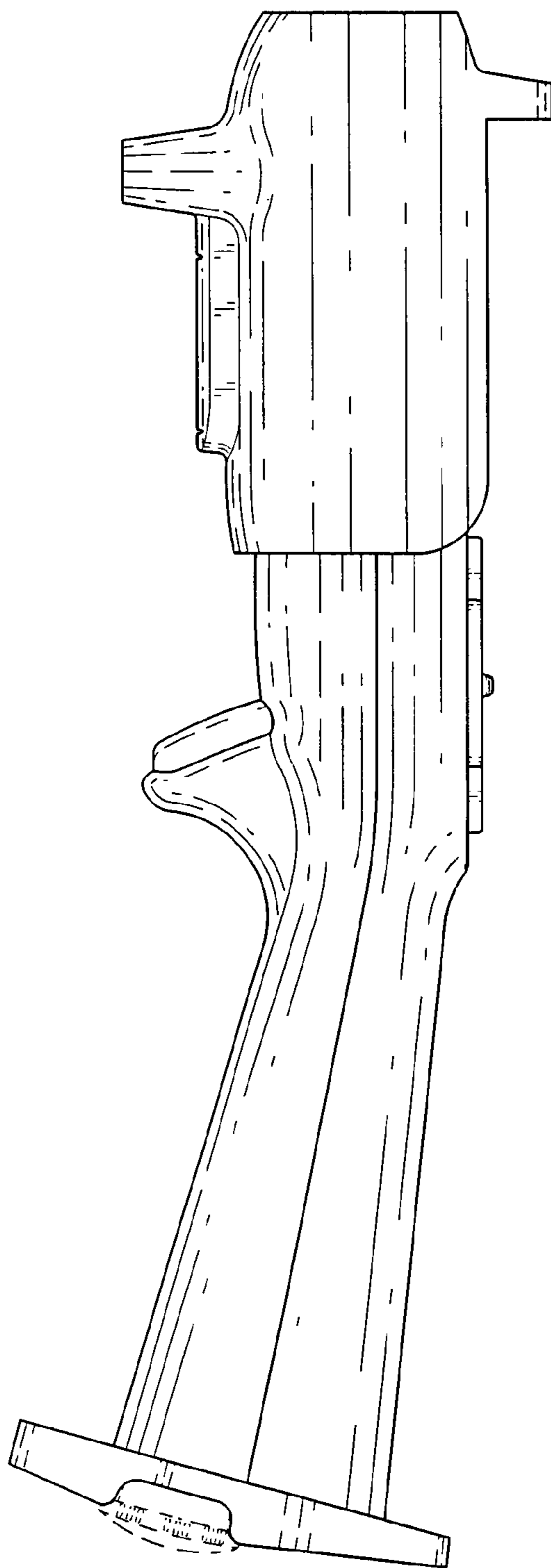


FIG. 6

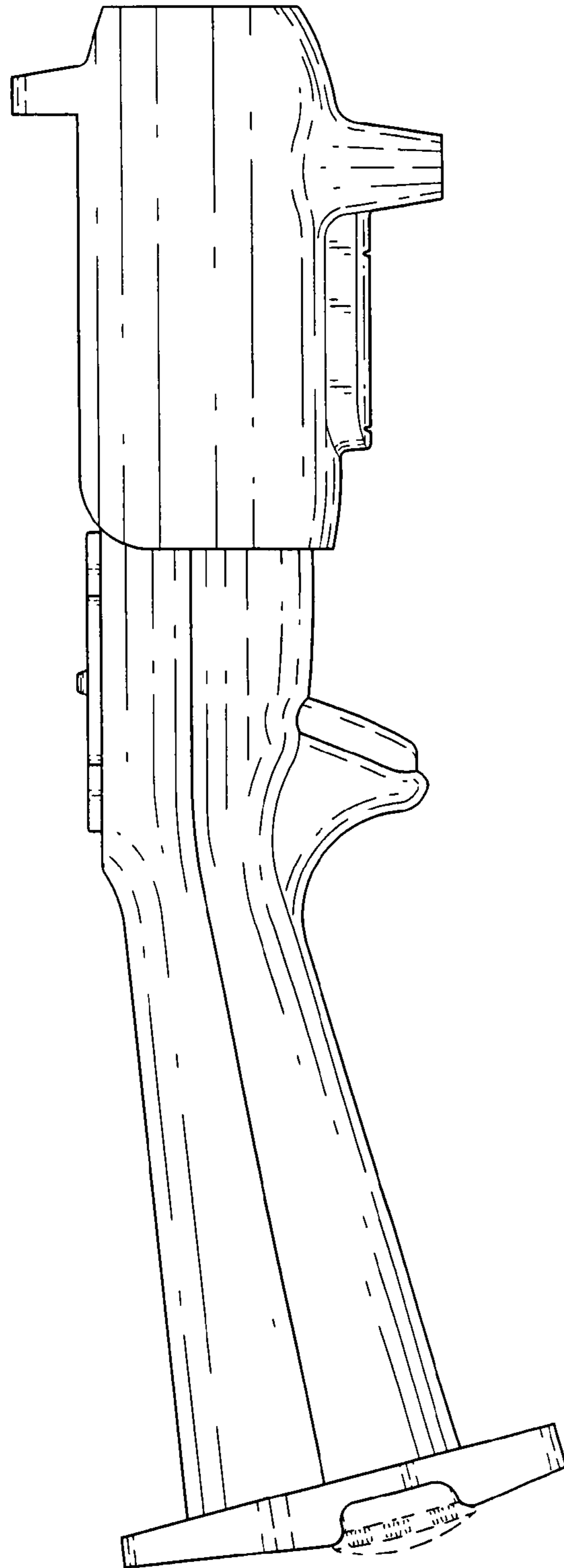


FIG. 7