



US00D713798S

(12) **United States Design Patent**  
**Nicol**

(10) **Patent No.:** **US D713,798 S**  
(45) **Date of Patent:** **\*\* Sep. 23, 2014**

- (54) **USB CONNECTOR RETAINER**
- (75) Inventor: **David H. Nicol**, Springville, CA (US)
- (73) Assignee: **Carefusion 303, Inc.**, San Diego, CA (US)
- (\*\*) Term: **14 Years**
- (21) Appl. No.: **29/425,974**
- (22) Filed: **Jun. 28, 2012**
- (51) **LOC (10) Cl.** ..... **13-03**
- (52) **U.S. Cl.**  
USPC ..... **D13/154**
- (58) **Field of Classification Search**  
USPC ..... D13/146, 147, 149, 154, 184, 199;  
439/180, 190, 192-195, 197, 200,  
439/202-204, 246, 278, 374, 527, 529, 533,  
439/892, 894, 909  
See application file for complete search history.

- (56) **References Cited**  
U.S. PATENT DOCUMENTS  
D290,109 S \* 6/1987 Justiano et al. .... D13/149  
6,171,136 B1 1/2001 Liu et al.  
6,745,330 B1 6/2004 Maillot  
D533,137 S \* 12/2006 Henriksson et al. .... D13/147  
D533,509 S \* 12/2006 Wu ..... D13/149  
D586,756 S \* 2/2009 Magnuson et al. .... D13/154  
7,484,991 B1 2/2009 Kelaher et al.

- 7,507,096 B1 3/2009 Lee et al.
- 7,578,691 B2 8/2009 Weksler et al.
- 7,578,698 B1 8/2009 Thia et al.
- 7,963,773 B2 6/2011 Palli et al.
- D647,858 S \* 11/2011 Huang et al. .... D13/147
- 8,152,557 B2 4/2012 Blanton et al.
- 2003/0224637 A1 12/2003 Ling
- 2006/0107073 A1 5/2006 Lane et al.

\* cited by examiner

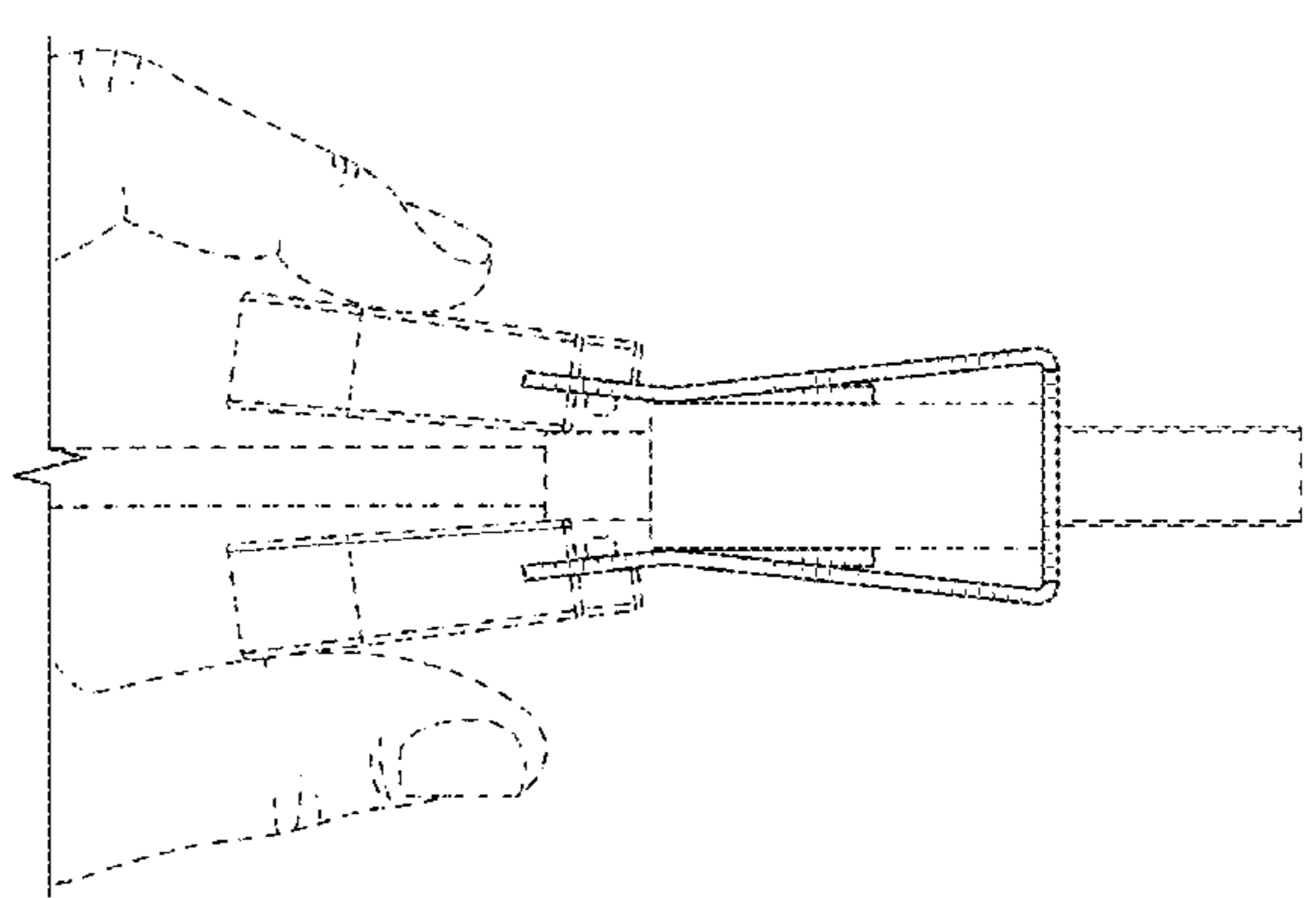
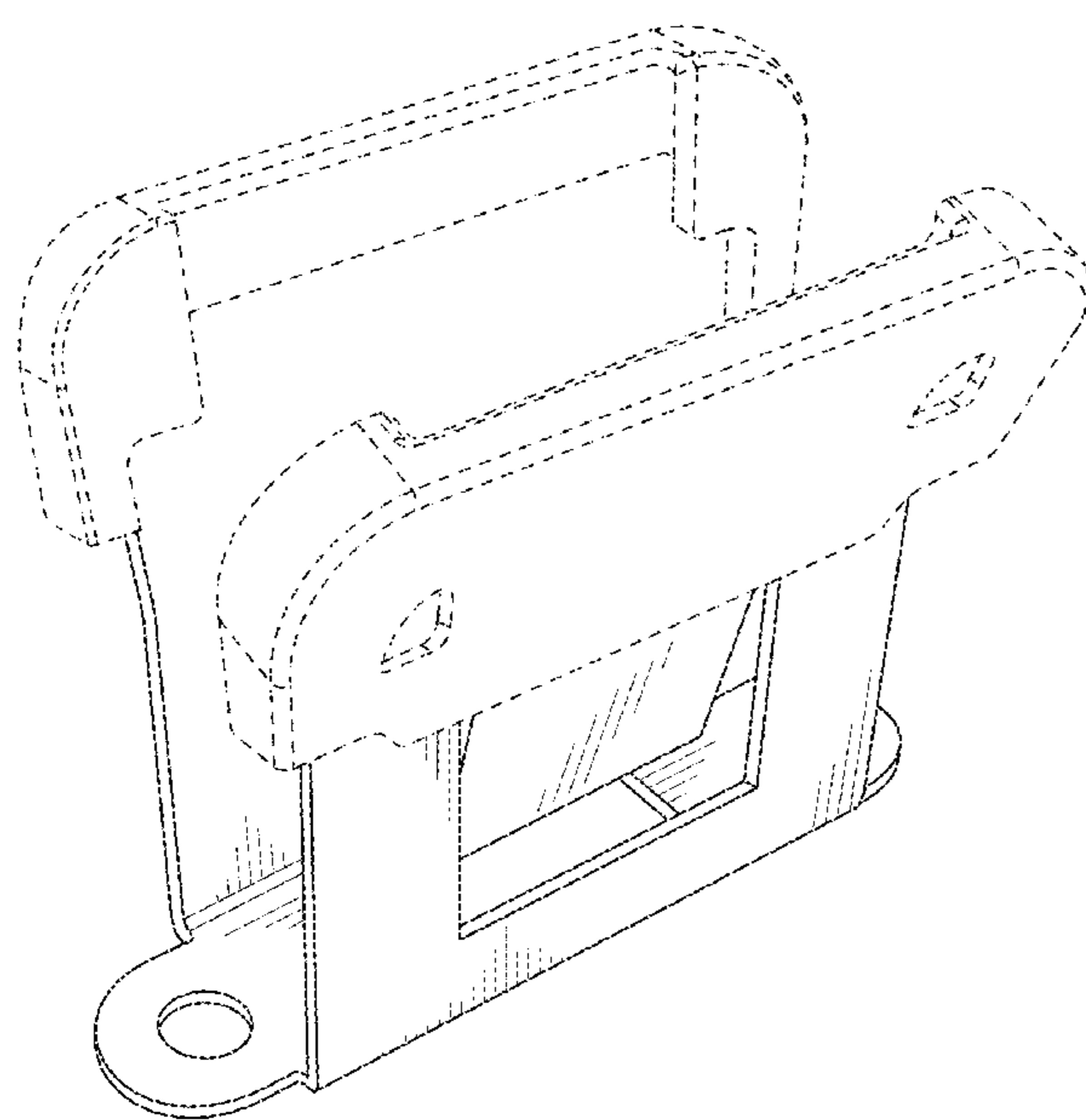
*Primary Examiner* — Daniel Bui  
(74) *Attorney, Agent, or Firm* — McDermott Will & Emery LLP

(57) **CLAIM**  
The ornamental design for a USB connector retainer, as shown and described.

**DESCRIPTION**

FIG. 1 is a perspective view of a USB connector retainer showing my new design;  
FIG. 2 is a front elevation view thereof;  
FIG. 3 is a side elevation view thereof;  
FIG. 4 is a bottom plan view thereof;  
FIG. 5 is a top plan view thereof;  
FIG. 6 is a second side view thereof, in use condition; and,  
FIG. 7 is a third side view thereof, in use condition.  
Those portions of the present invention which are presented in phantom illustrate the environment of the design only and form no part of the claimed design. Moreover, the shading presented in the accompanying drawings is provided merely to highlight the contour of the invention and is not intended to be illustrative of texture or gloss.

**1 Claim, 4 Drawing Sheets**



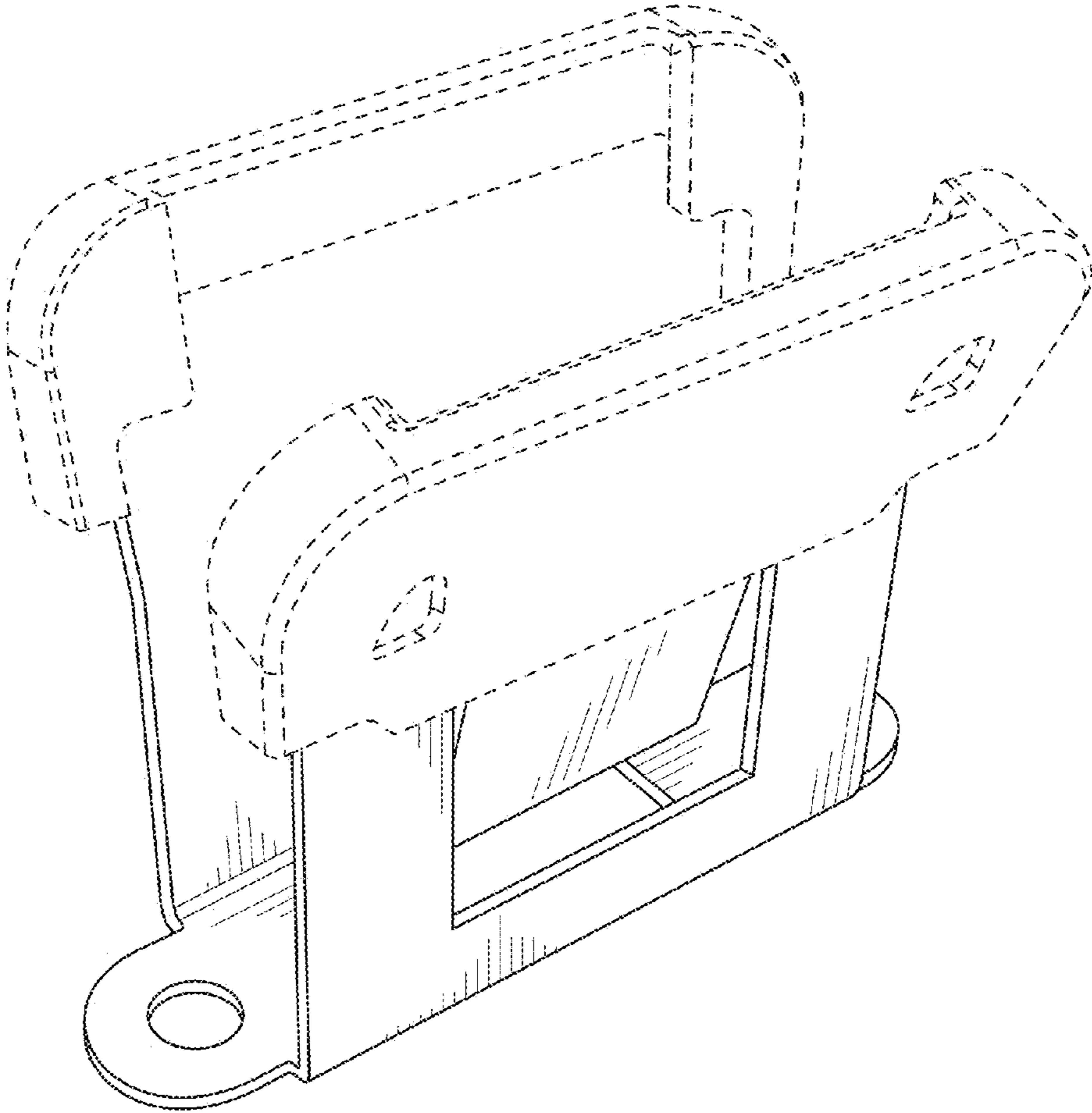


FIG. 1

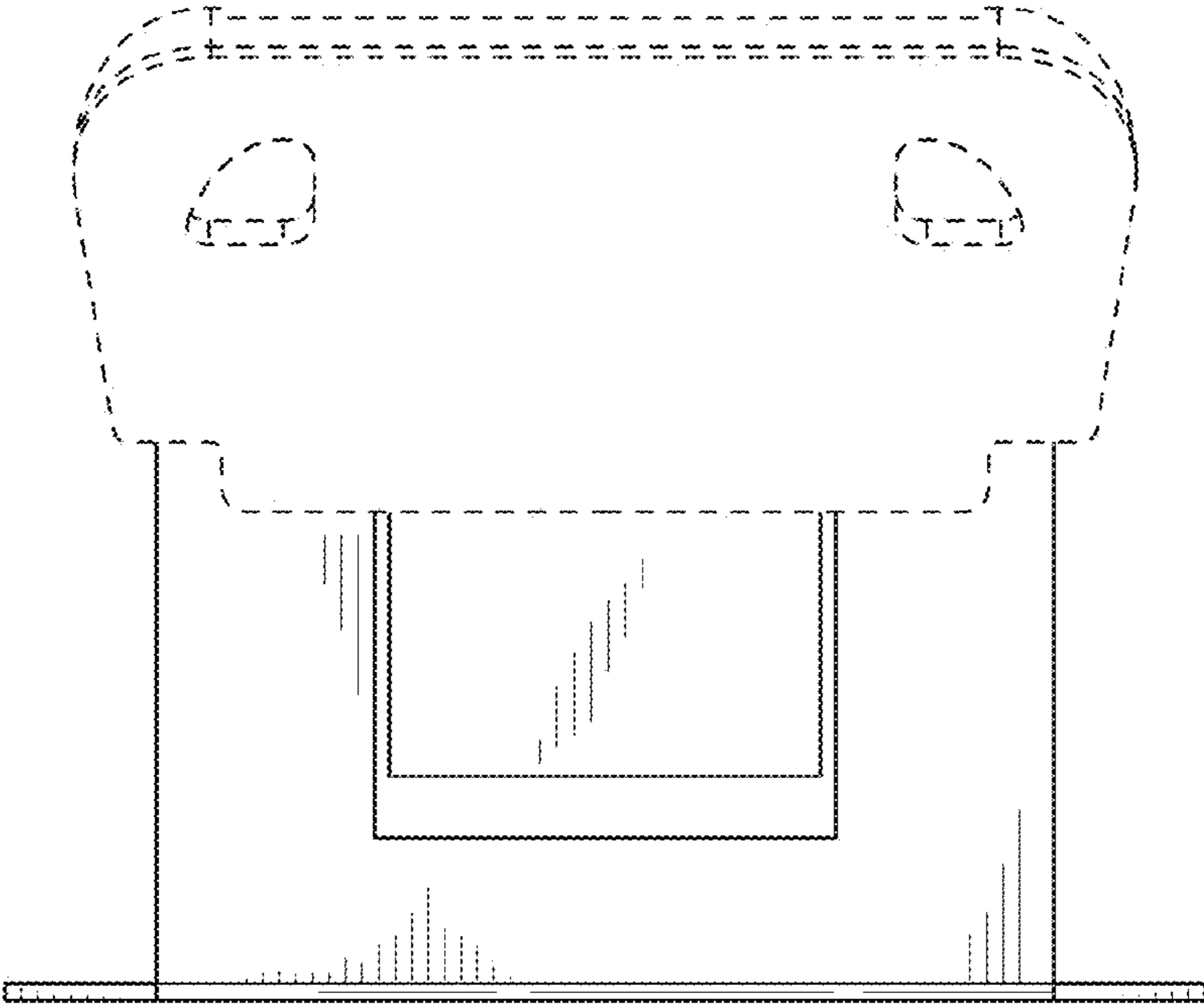


FIG. 2

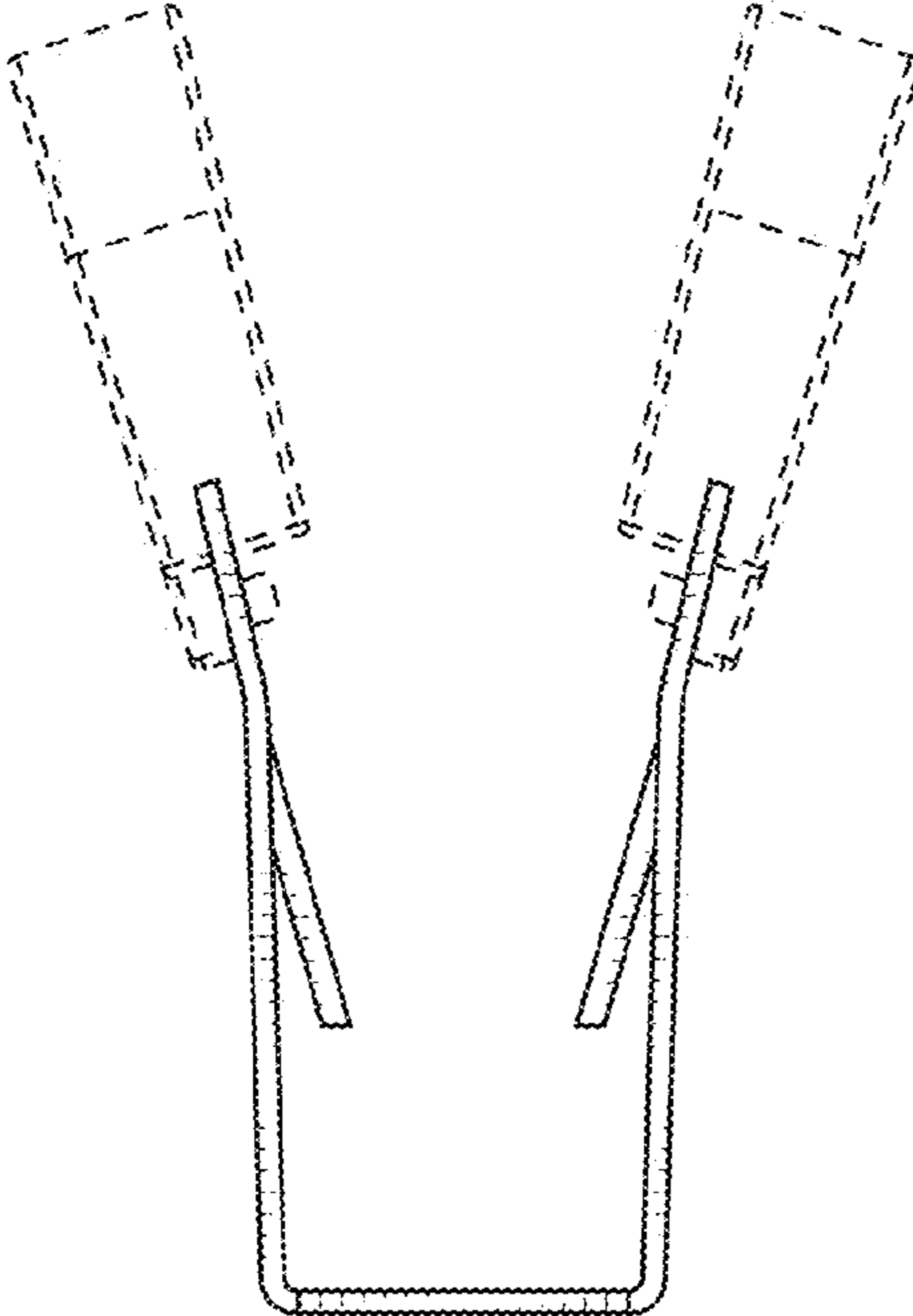


FIG. 3

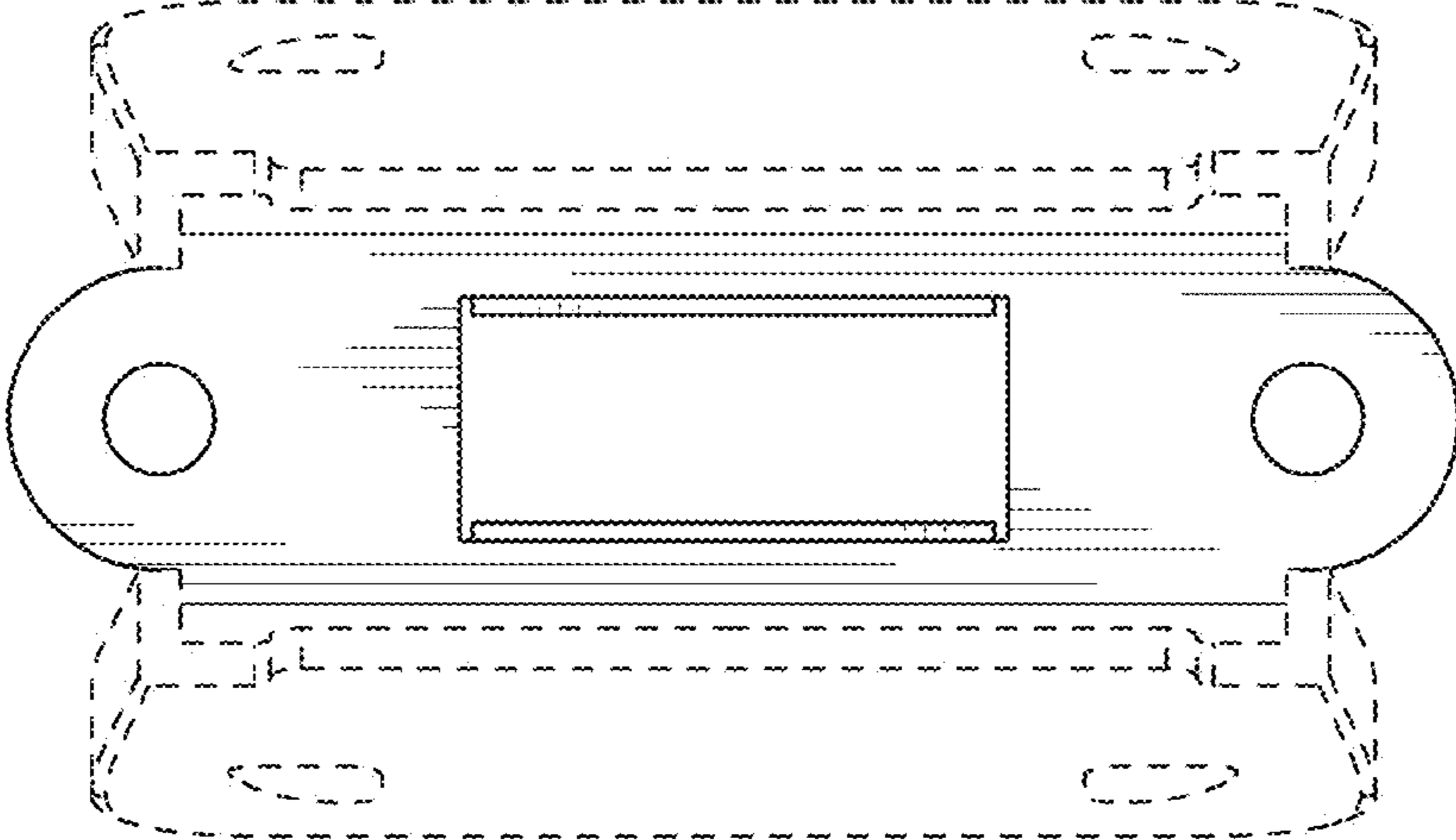


FIG. 4

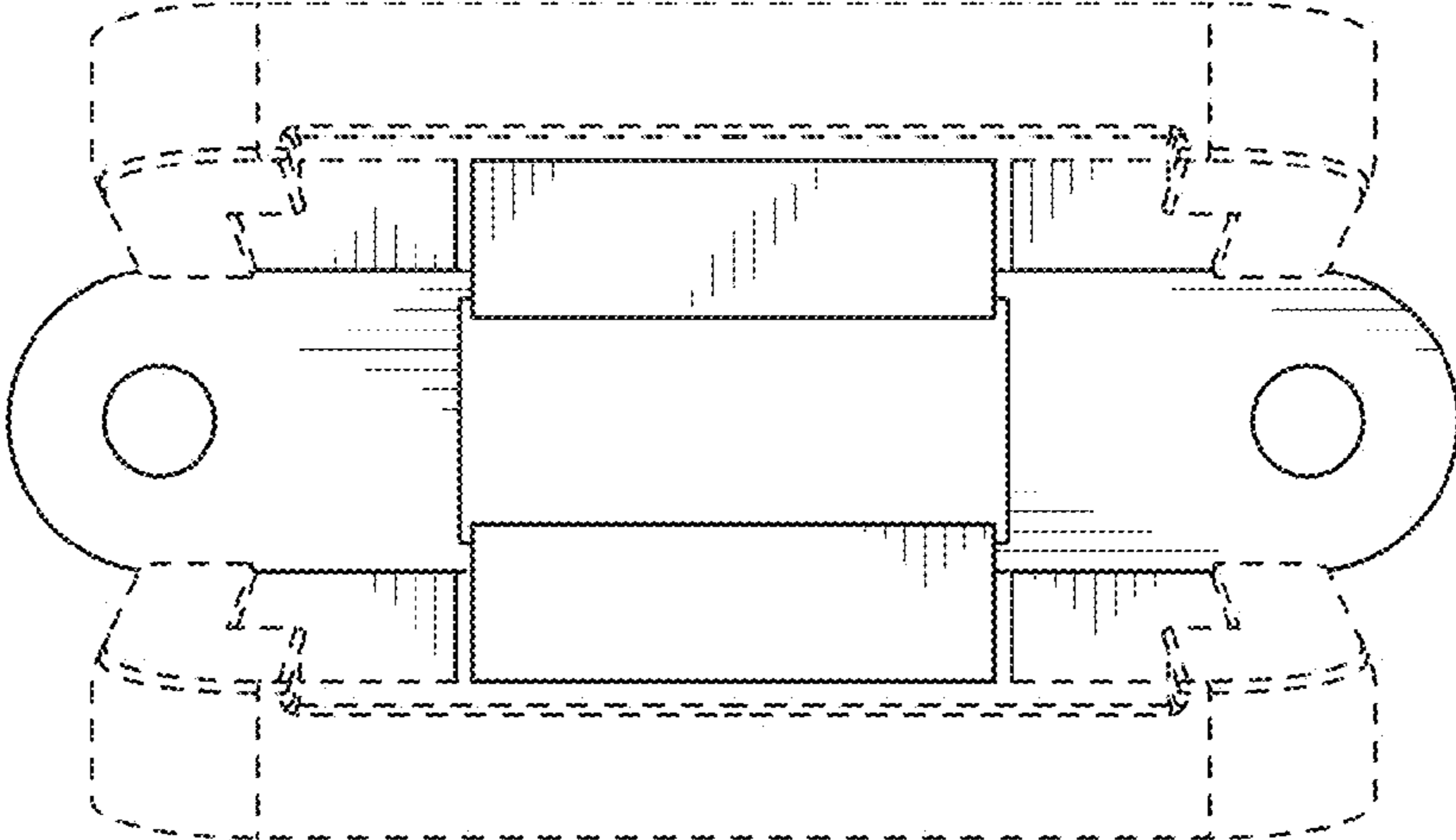


FIG. 5

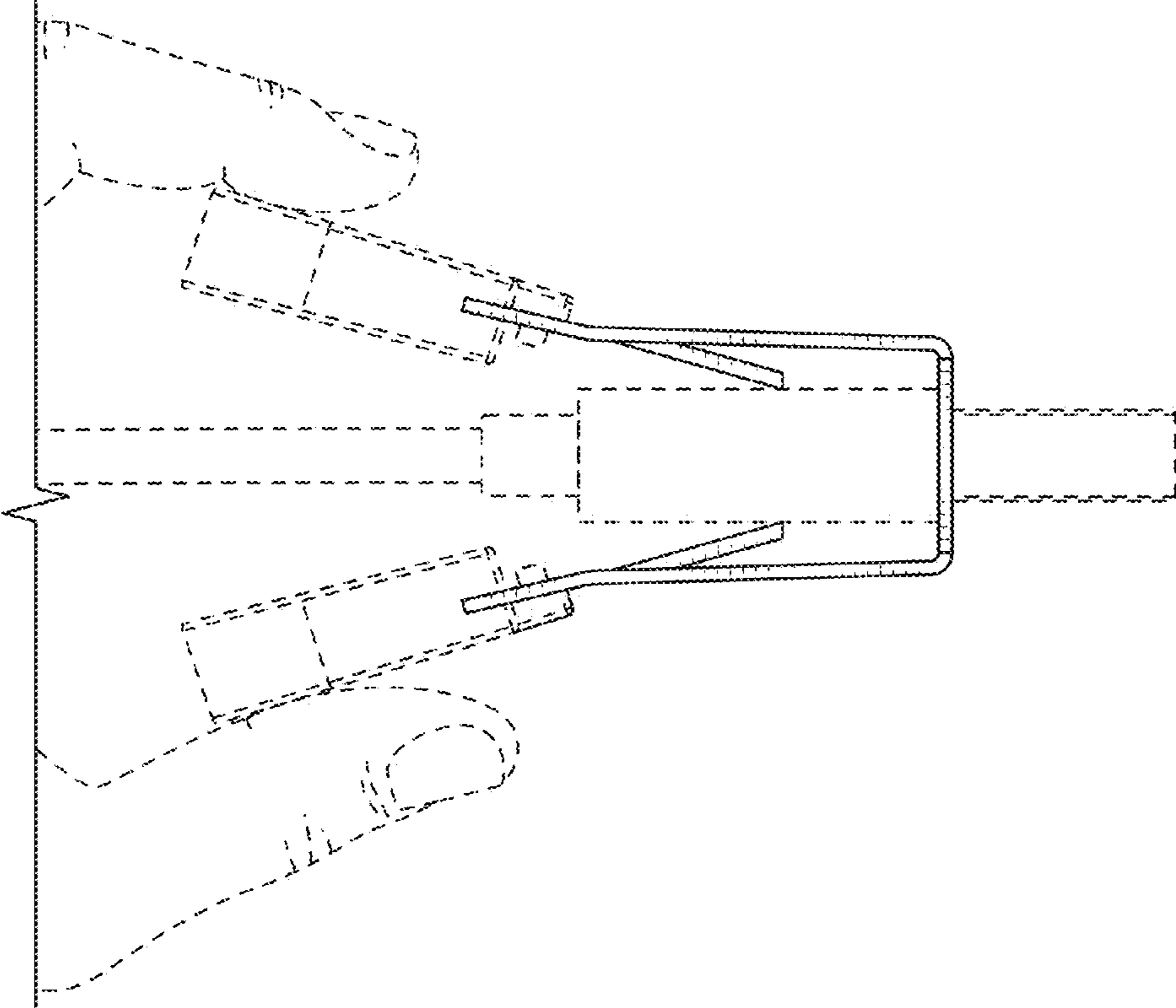


FIG. 6

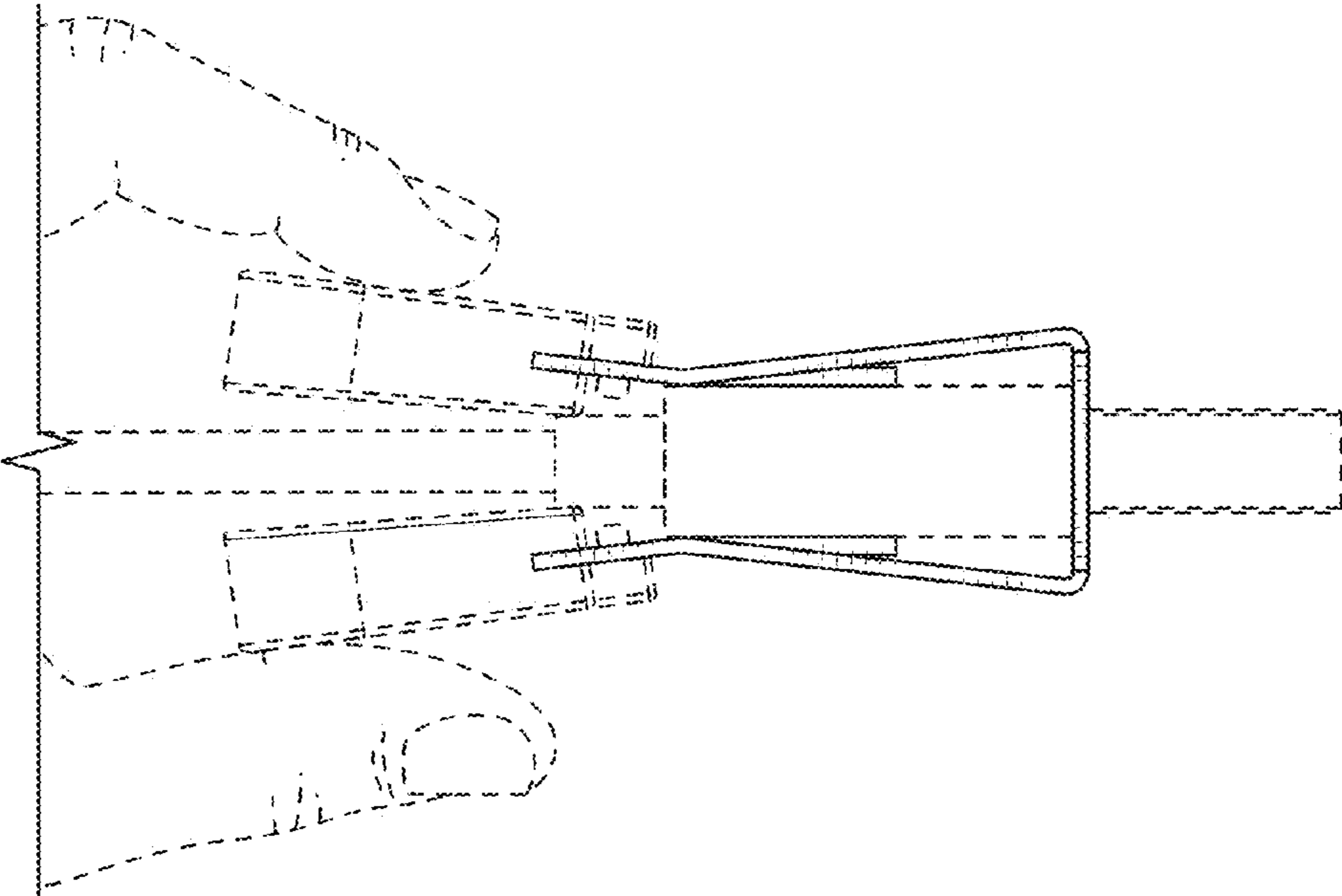


FIG. 7