



US00D713797S

(12) **United States Design Patent**
Solomon

(10) **Patent No.:** **US D713,797 S**
(45) **Date of Patent:** **** Sep. 23, 2014**

(54) **ELECTRICAL BOX MARKING SYSTEM**
(76) Inventor: **Richard K. Solomon**, Silverthorne, CO (US)
(**) Term: **14 Years**
(21) Appl. No.: **29/428,367**
(22) Filed: **Jul. 30, 2012**
(51) **LOC (10) Cl.** **13-03**
(52) **U.S. Cl.**
USPC **D13/152**
(58) **Field of Classification Search**
USPC D13/152, 153, 154, 156, 177, 184, 199;
D8/353; 174/50, 53, 54, 55, 58, 60, 66,
174/67; 220/4.02, 241, 244; 248/906;
439/345, 373, 535, 536
See application file for complete search history.

5,981,874 A 11/1999 Reiker
6,229,087 B1 5/2001 Archer
6,300,567 B1 10/2001 Hayduke et al.
6,303,862 B1 10/2001 Reiker
6,307,154 B1 10/2001 Gretz
6,369,323 B1 4/2002 Wright
6,395,979 B1 5/2002 English
6,403,883 B1 6/2002 Morgan et al.
6,810,598 B2 11/2004 Boys
6,867,369 B2 3/2005 Wiggins
6,940,016 B1 9/2005 Cornett et al.
7,009,110 B1 3/2006 Gretz
D538,752 S * 3/2007 Kiely D13/152
D598,392 S * 8/2009 Vigorito et al. D13/152
D635,099 S * 3/2011 Kramer D13/152
D692,836 S * 11/2013 Thomas et al. D13/152
D700,893 S * 3/2014 Thomas et al. D13/152
2003/0213801 A1 11/2003 Bradley et al.
2006/0285278 A1 12/2006 Tankersley
2009/0194311 A1* 8/2009 Merrill 174/60

* cited by examiner

Primary Examiner — Thomas Johannes
Assistant Examiner — Khawaja Anwar

(56) **References Cited**

U.S. PATENT DOCUMENTS

3,636,236 A 1/1972 Smith
4,202,457 A 5/1980 Tansi
4,850,115 A 7/1989 Price et al.
4,922,056 A 5/1990 Larsson
4,951,395 A 8/1990 Lameiro
5,177,325 A 1/1993 Giammanco
5,316,165 A 5/1994 Moran, Jr.
5,350,884 A 9/1994 Littrell
5,588,549 A 12/1996 Furtner
5,594,207 A 1/1997 Fabian et al.
5,596,174 A 1/1997 Sapienza
5,630,281 A 5/1997 Pledger et al.
5,639,991 A 6/1997 Schuette
5,659,151 A 8/1997 Dale
5,710,392 A 1/1998 Bordwell et al.
5,744,753 A 4/1998 Nattel
5,841,068 A 11/1998 Umstead et al.

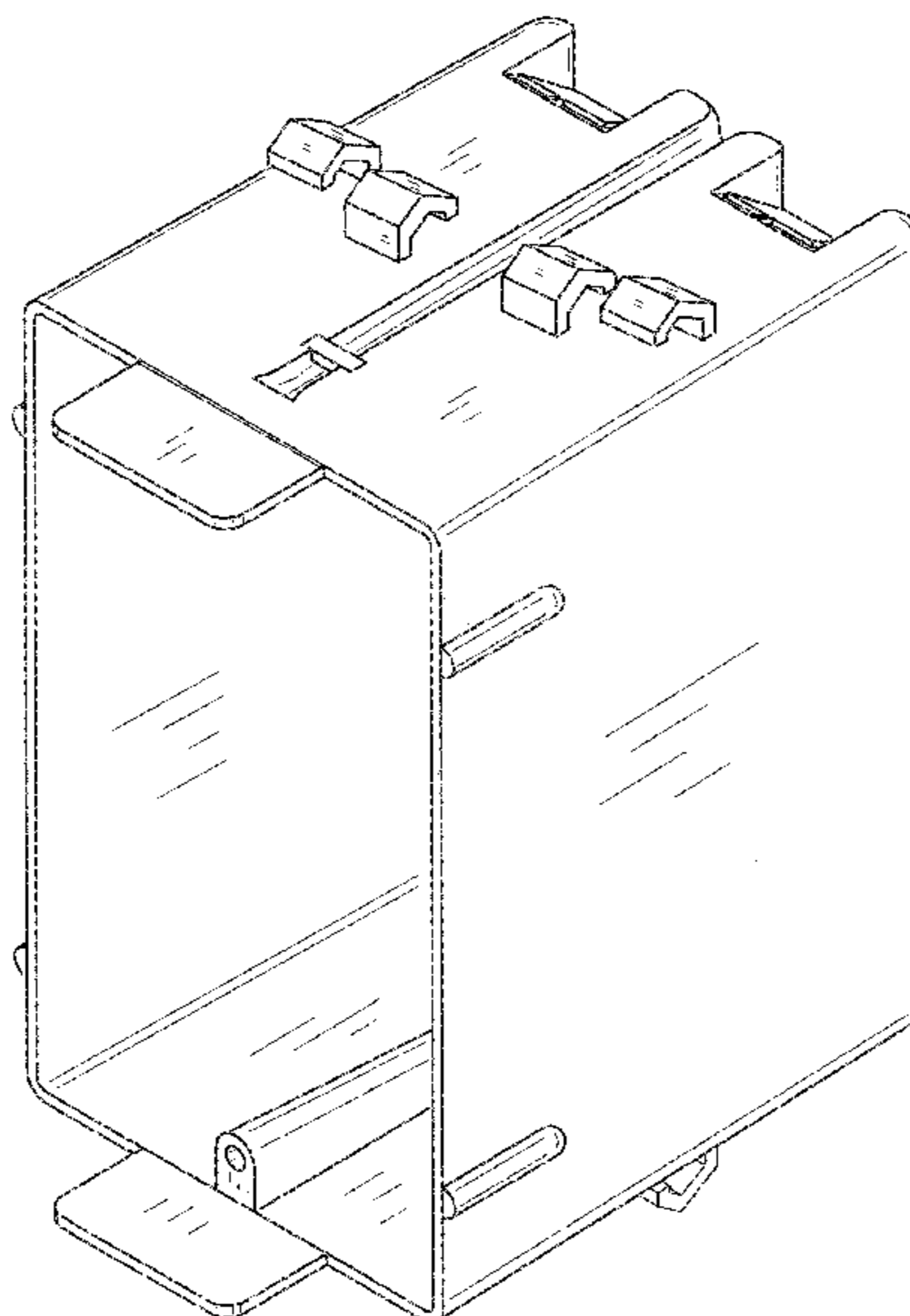
(57) **CLAIM**

The ornamental design for a electrical box marking system, as shown and described.

DESCRIPTION

FIG. 1 is a perspective view of a electrical box marking system showing my new design;
FIG. 2 is a front view thereof;
FIG. 3 is a back view thereof;
FIG. 4 is a side view (opposite side view is mirror image) thereof; and,
FIG. 5 is a top view (bottom view is same image) thereof; and,
FIG. 6 is a cross-sectional view of FIG. 2.

1 Claim, 6 Drawing Sheets



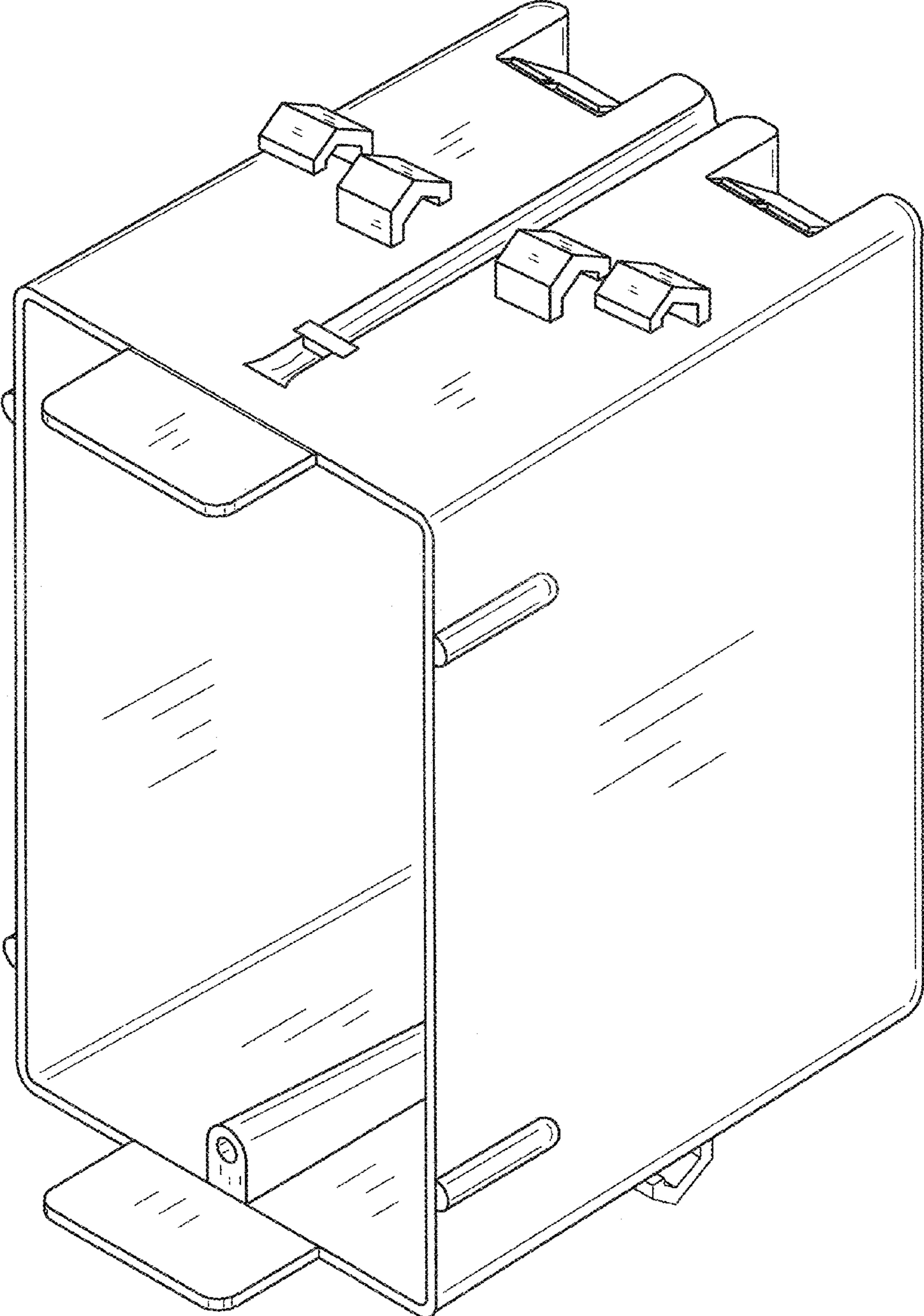


FIG. 1

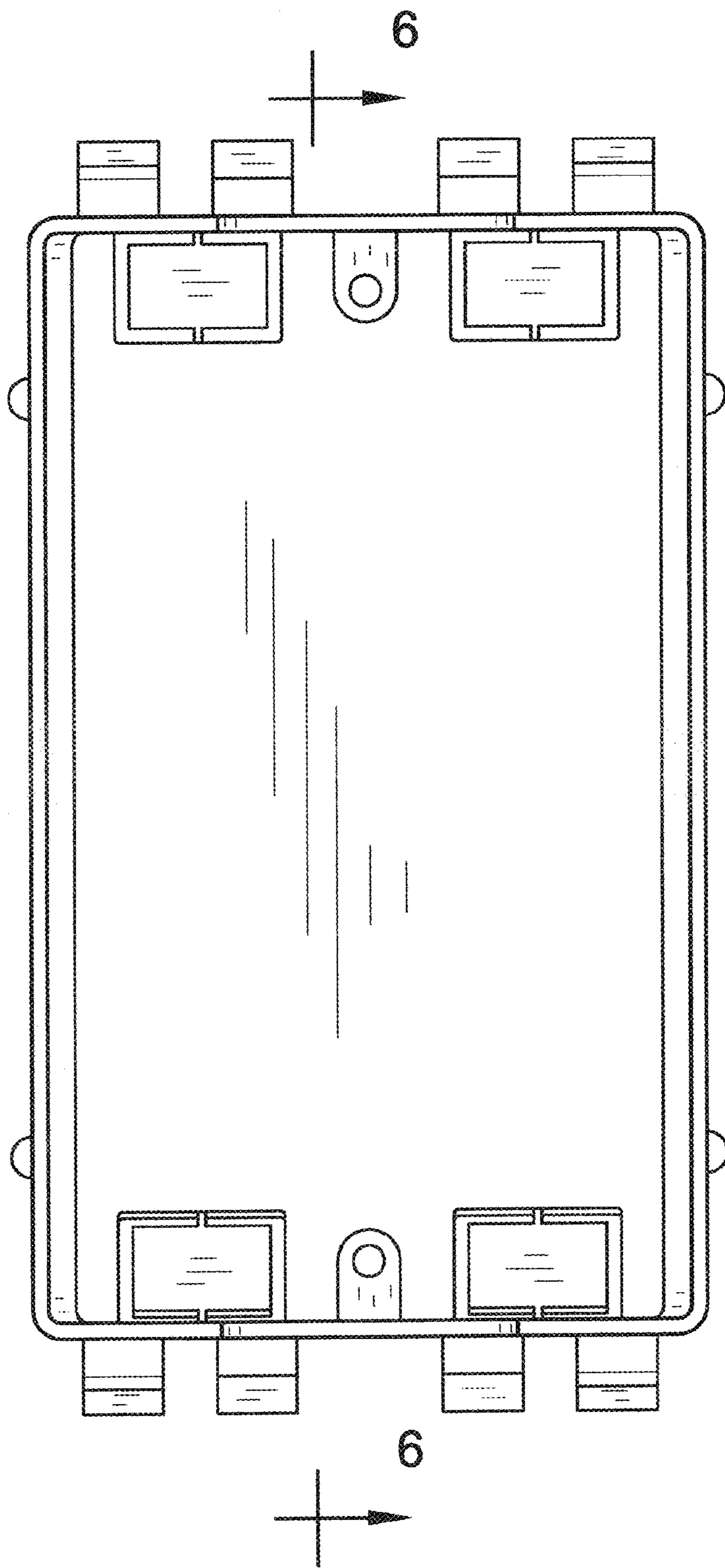


FIG. 2

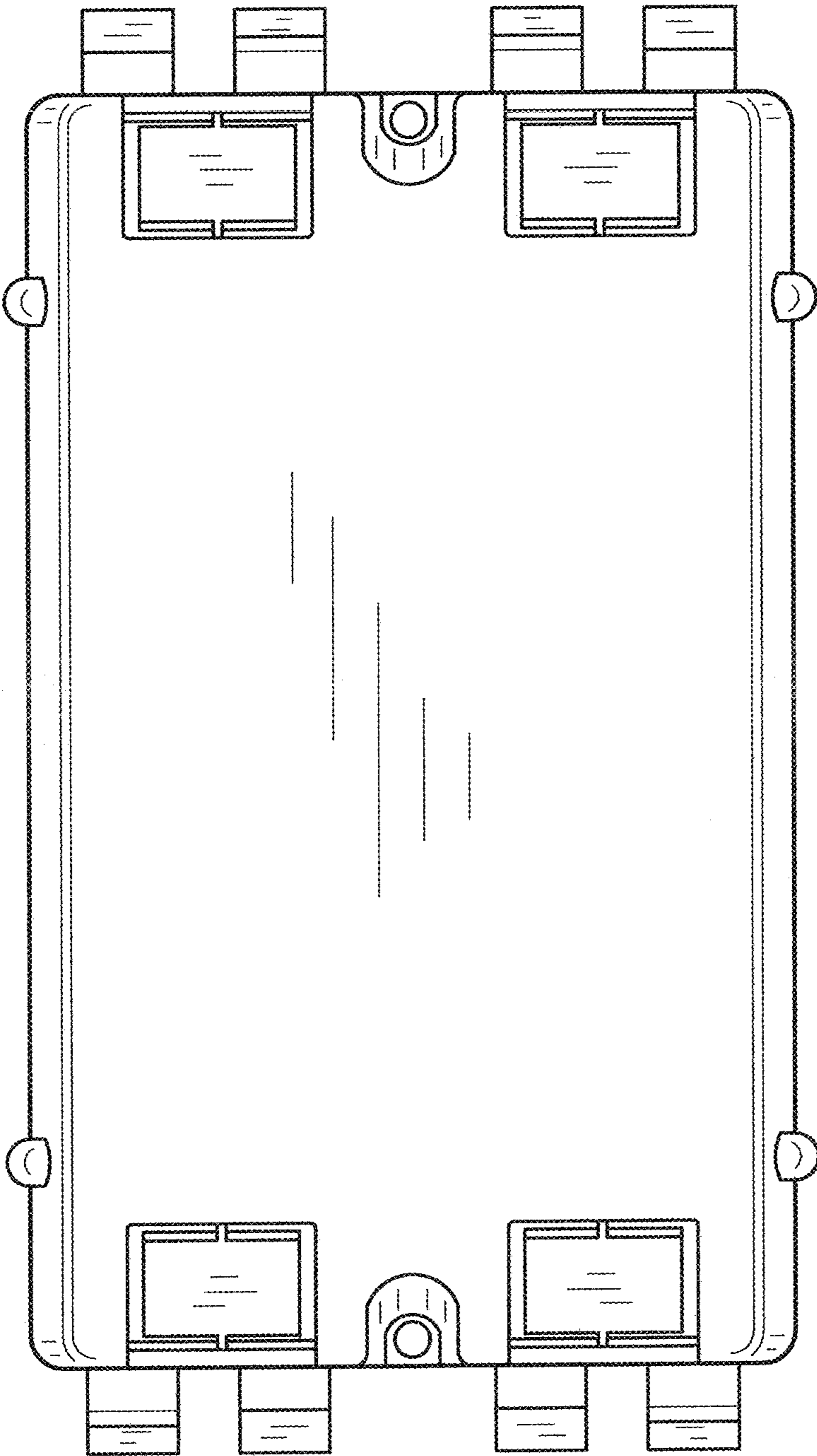


FIG. 3

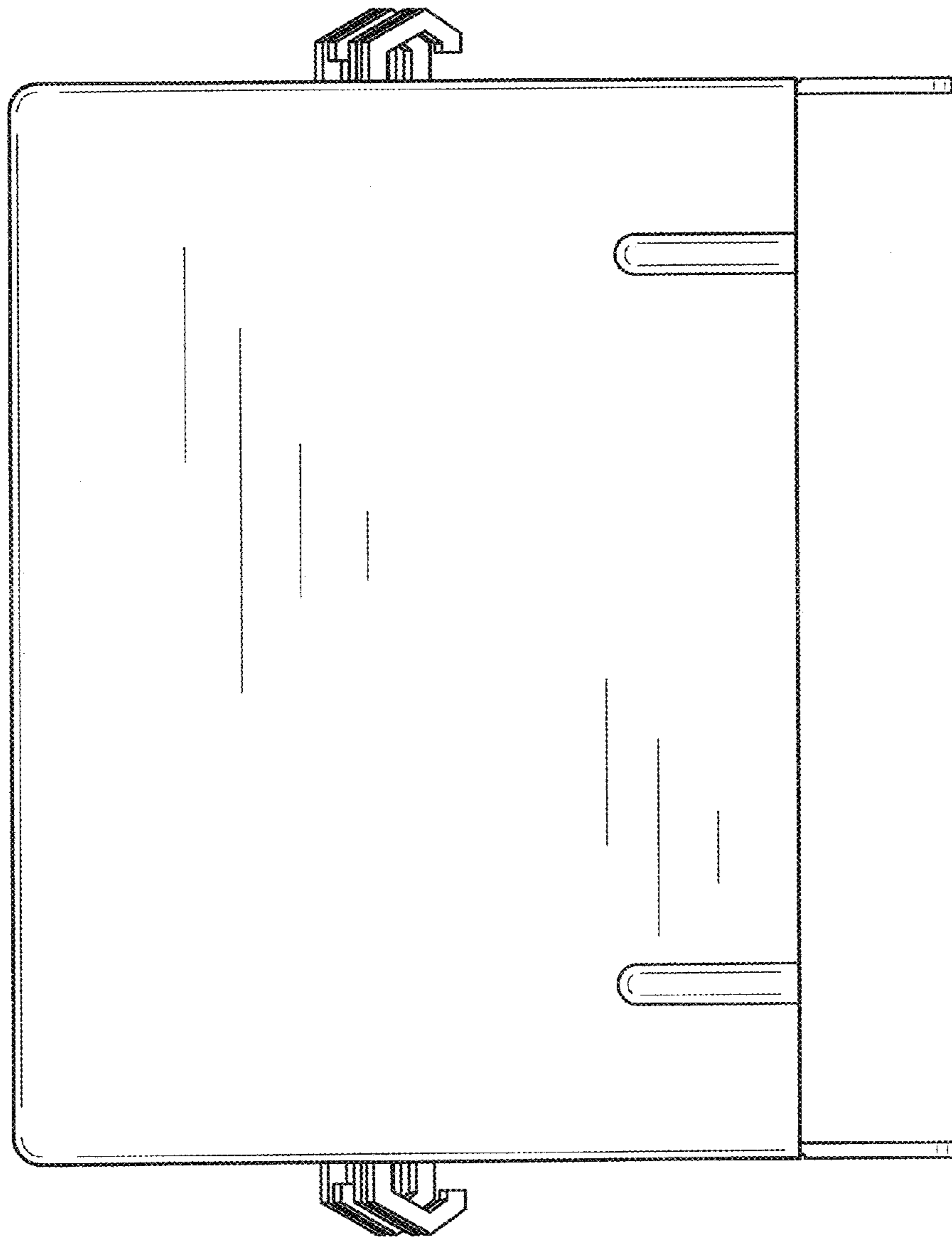


FIG. 4

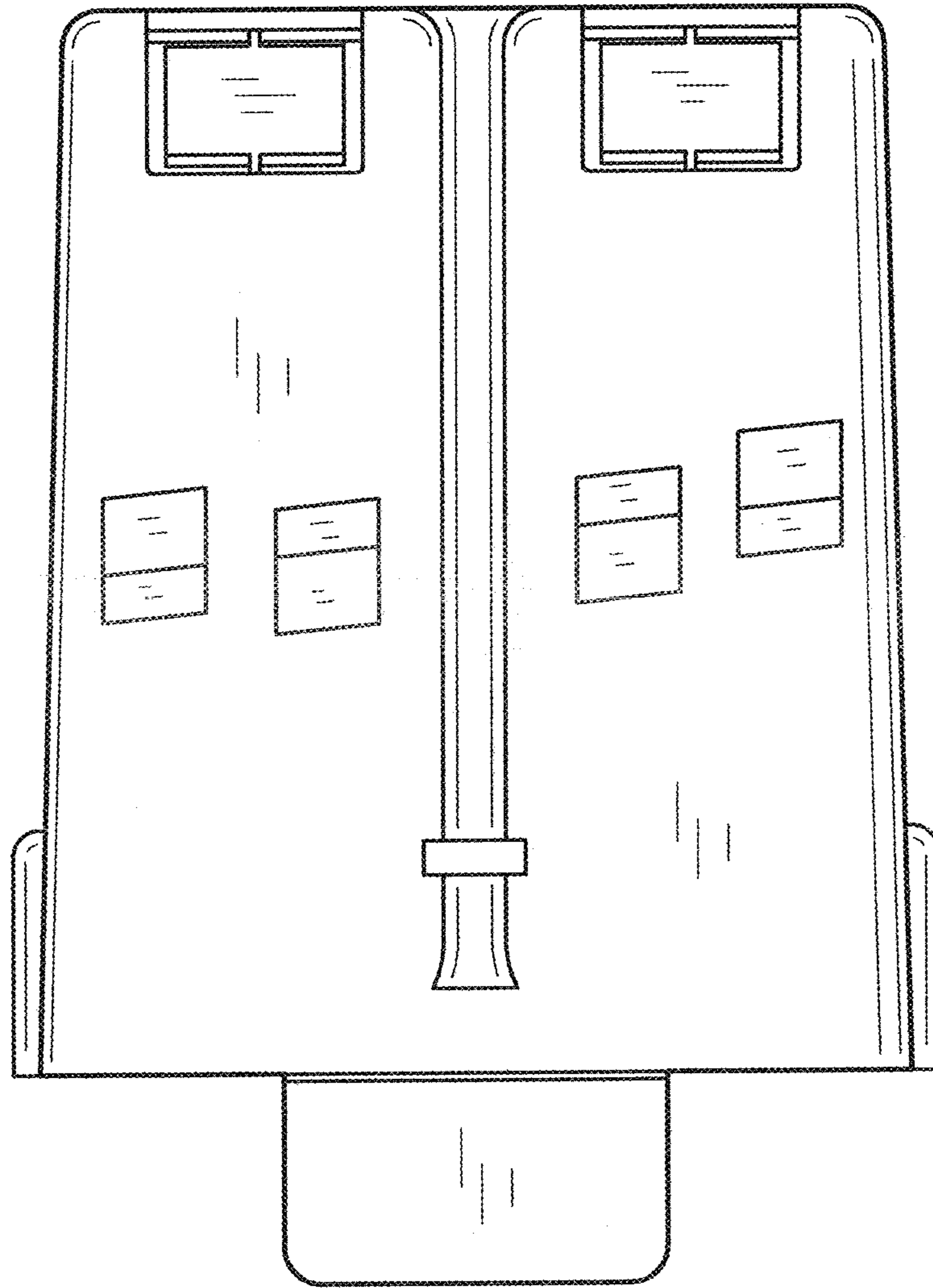


FIG. 5

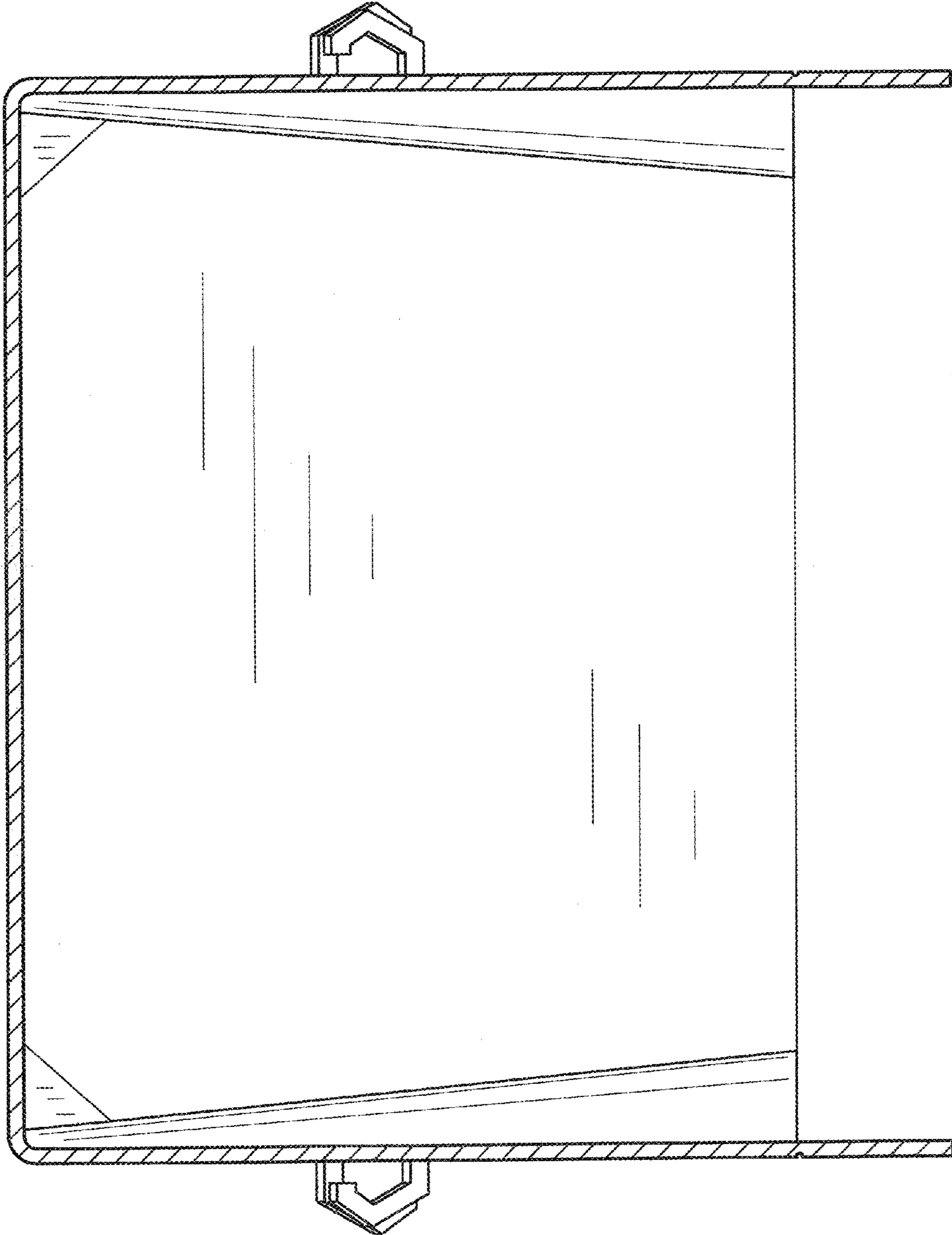


FIG. 6