



US00D713796S

(12) **United States Design Patent**
Akana et al.

(10) **Patent No.:** **US D713,796 S**
(45) **Date of Patent:** **** Sep. 23, 2014**

(54) **CONNECTOR**

(71) Applicant: **Apple Inc.**, Cupertino, CA (US)

(72) Inventors: **Jody Akana**, San Francisco, CA (US);
Bartley K. Andre, Palo Alto, CA (US);
Jeremy Bataillou, San Francisco, CA
(US); **Daniel J. Coster**, San Francisco,
CA (US); **Daniele De Iuliis**, San
Francisco, CA (US); **M. Evans Hankey**,
San Francisco, CA (US); **Julian Hoenig**,
San Francisco, CA (US); **Richard P.**
Howarth, San Francisco, CA (US);
Jonathan P. Ive, San Francisco, CA
(US); **Duncan Robert Kerr**, San
Francisco, CA (US); **Shin Nishibori**,
Kailua, HI (US); **Matthew Dean**
Rohrbach, San Francisco, CA (US);
Peter Russell-Clarke, San Francisco,
CA (US); **Christopher J. Stringer**,
Woodside, CA (US); **Eugene Antony**
Whang, San Francisco, CA (US); **Rico**
Zörkendörfer, San Francisco, CA (US)

(73) Assignee: **Apple Inc.**, Cupertino, CA (US)

(**) Term: **14 Years**

(21) Appl. No.: **29/485,445**

(22) Filed: **Mar. 19, 2014**

Related U.S. Application Data

(63) Continuation of application No. 29/455,174, filed on
May 17, 2013, now Pat. No. Des. 705,176, which is a
continuation of application No. 29/426,587, filed on
Jul. 6, 2012, now Pat. No. Des. 684,539.

(51) **LOC (10) Cl.** **13-03**

(52) **U.S. Cl.**
USPC **D13/147**

(58) **Field of Classification Search**

USPC D13/133, 147, 153, 154, 184, 199;
D14/432, 433, 435, 435.1, 436, 437,
D14/438; 439/79, 108, 135, 180, 246, 278,
439/291, 328, 344, 350, 353, 357, 358, 374,
439/378, 381, 391, 489, 509, 527, 529, 530,
439/533, 587, 594, 598, 607.01, 607.04,

439/607.05, 607.17, 607.25, 607.34,
439/607.41, 607.53, 626, 629, 637, 656,
439/660, 668, 676, 680, 711, 745, 752, 892,
439/894

See application file for complete search history.

(56) **References Cited**

U.S. PATENT DOCUMENTS

D304,028 S 10/1989 Matsuzaki
D369,157 S 4/1996 Ohmori et al.

(Continued)

FOREIGN PATENT DOCUMENTS

CN 201130377608.3 5/2012
CN 201220688401.7 7/2012

(Continued)

Primary Examiner — Daniel Bui

(74) *Attorney, Agent, or Firm* — Sterne, Kessler, Goldstein
& Fox P.L.L.C.

(57) **CLAIM**

The ornamental design for a connector, as shown and
described.

DESCRIPTION

FIG. 1 is a top front perspective view of a connector showing
our new design;

FIG. 2 is a bottom rear perspective view thereof;

FIG. 3 is a top view thereof;

FIG. 4 is a bottom view thereof;

FIG. 5 is a side view thereof;

FIG. 6 is another side view thereof;

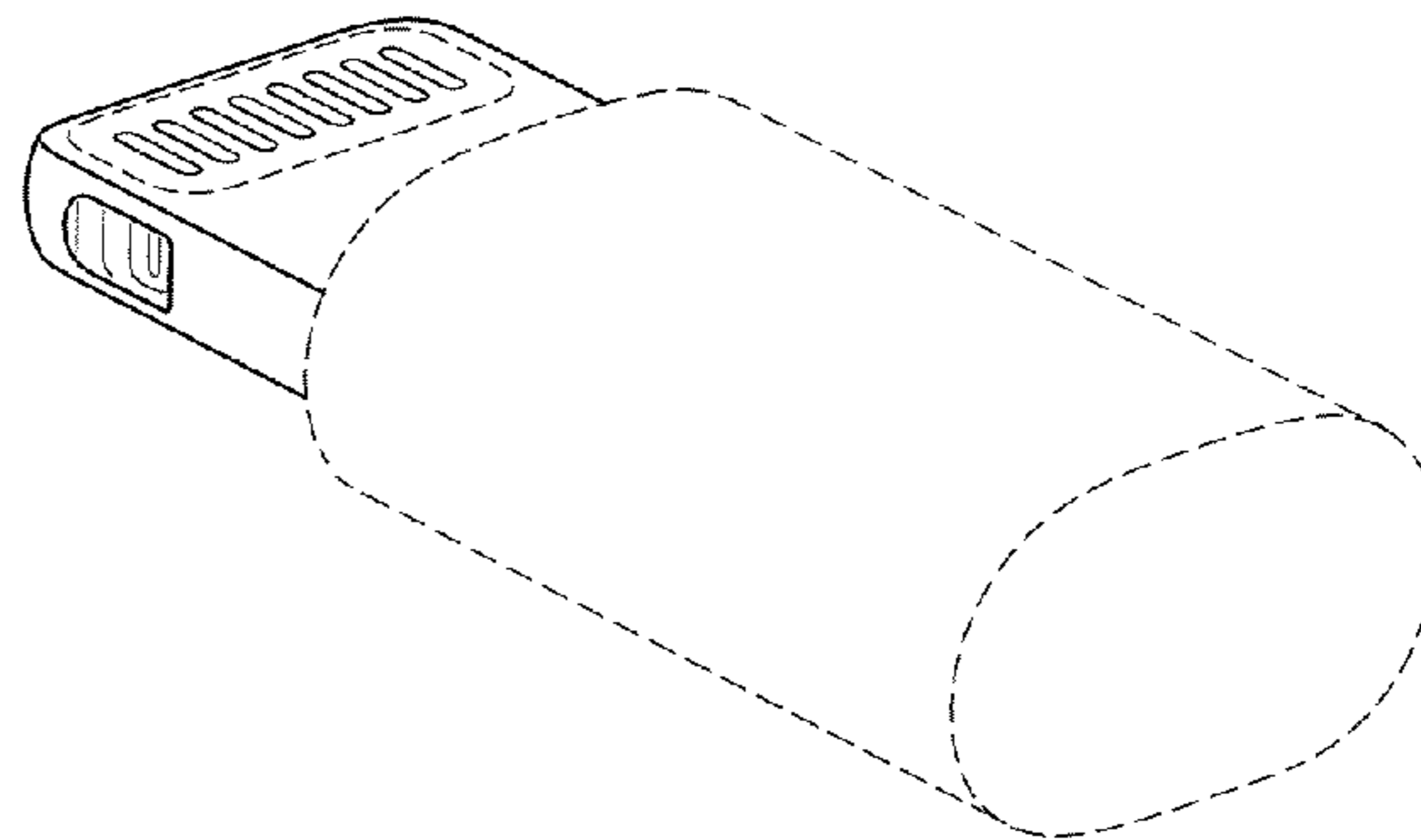
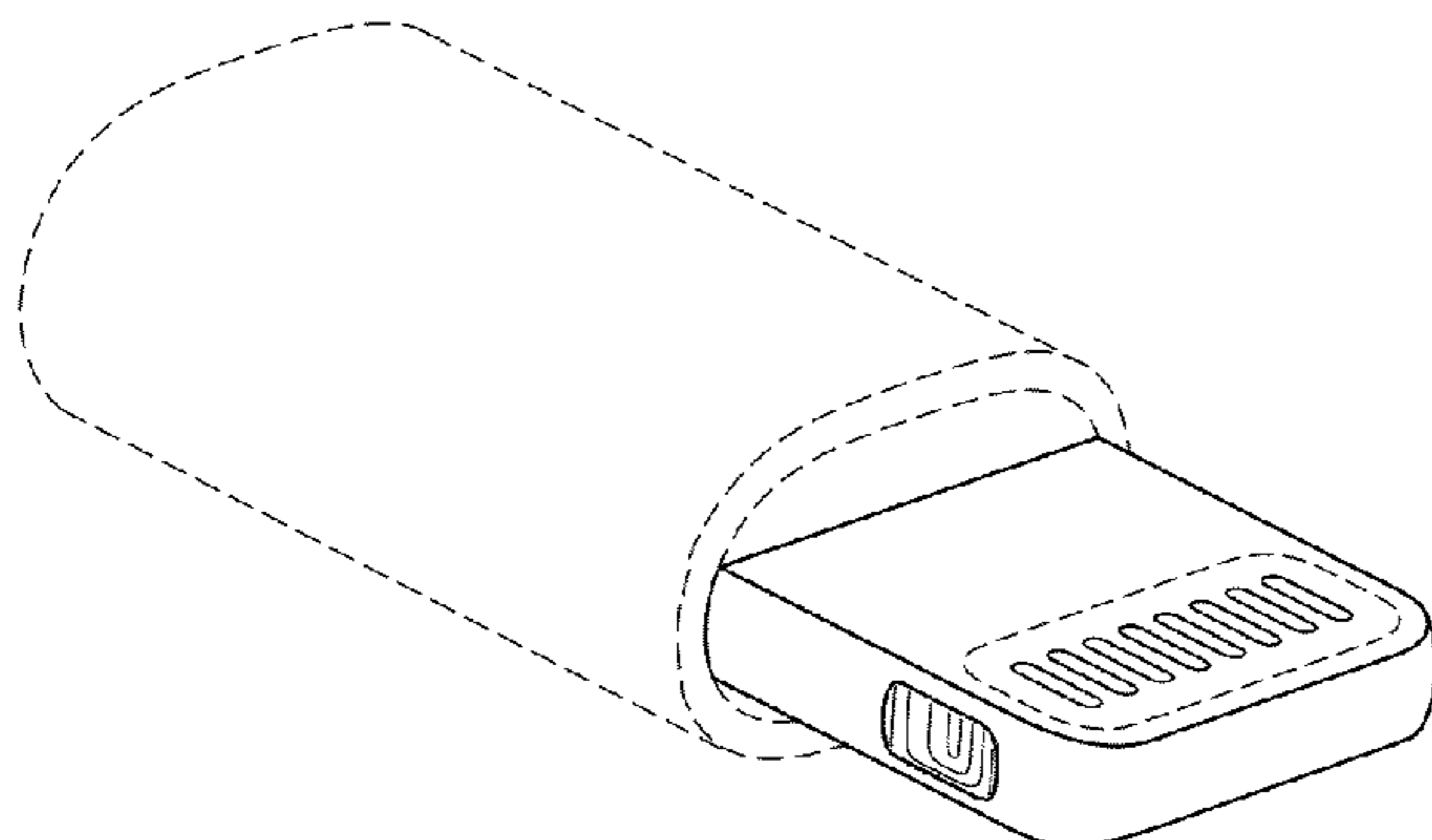
FIG. 7 is a front view thereof; and,

FIG. 8 is a rear view thereof.

The broken lines in the figures show portions of the connector
that form no part of the claimed design.

The shade lines in the figures show contour and not surface
ornamentation.

1 Claim, 7 Drawing Sheets



(56)

References Cited

U.S. PATENT DOCUMENTS

D399,047 S 10/1998 Yoshida et al.
 6,137,710 A 10/2000 Iwasaki et al.
 D452,245 S 12/2001 Wallace et al.
 D452,246 S 12/2001 Wallace et al.
 6,483,038 B2 11/2002 Lee et al.
 D487,747 S 3/2004 Yu et al.
 D525,977 S 8/2006 Yao
 7,094,089 B2 8/2006 Andre et al.
 D552,099 S 10/2007 Nishizawa et al.
 D558,145 S 12/2007 Stavoe et al.
 7,354,312 B2 4/2008 Chuang
 D586,293 S 2/2009 Fujino
 D588,545 S 3/2009 Andre et al.
 D594,418 S 6/2009 Fujino et al.
 D607,886 S 1/2010 Bolotin et al.
 D612,809 S 3/2010 Zhao et al.
 D621,785 S 8/2010 Nickol
 D636,337 S 4/2011 Smith et al.
 D637,193 S 5/2011 Andre et al.
 D643,040 S 8/2011 Sedio et al.
 D655,296 S 3/2012 Andre et al.
 D656,147 S 3/2012 Schlossstein
 D658,665 S 5/2012 Akana et al.
 D659,150 S 5/2012 Andre
 D665,754 S 8/2012 Cobbett et al.
 D683,703 S 6/2013 Akana et al.
 D684,539 S 6/2013 Akana et al.
 D684,976 S 6/2013 Akana et al.
 8,454,388 B2 6/2013 Song
 8,561,879 B2 10/2013 Jol et al.
 D693,828 S 11/2013 Akana et al.
 D694,243 S 11/2013 Akana et al.
 D699,188 S 2/2014 Akana et al.
 D703,145 S 4/2014 Akana et al.
 D705,174 S * 5/2014 Wong D13/147
 D705,175 S * 5/2014 Chu D13/147
 D705,176 S * 5/2014 Akana et al. D13/147
 2002/0170972 A1 11/2002 Kim
 2003/0225954 A1 12/2003 Wu
 2005/0202727 A1 9/2005 Andre et al.

2011/0199729 A1 8/2011 Hsieh
 2012/0252256 A1 10/2012 Zhu et al.
 2013/0084760 A1 4/2013 Siahaan et al.
 2013/0175326 A1 7/2013 Jol et al.
 2013/0238823 A1 9/2013 Terlizzi et al.
 2013/0244472 A1 9/2013 Weber et al.
 2013/0244489 A1 9/2013 Terlizzi et al.
 2013/0244491 A1 9/2013 Sarwar et al.
 2013/0244492 A1 9/2013 Golko et al.
 2013/0279055 A1 10/2013 Mullins et al.
 2013/0286522 A1 10/2013 Mullins et al.
 2013/0304942 A1 11/2013 Golembeski et al.
 2013/0305066 A1 11/2013 Mullins et al.
 2014/0057479 A1 2/2014 Weber et al.
 2014/0069709 A1 3/2014 Schmidt et al.
 2014/0073170 A1 3/2014 Golko et al.
 2014/0073178 A1 3/2014 Webb et al.
 2014/0073182 A1 3/2014 Ardisana, II et al.
 2014/0073183 A1 3/2014 Golko et al.
 2014/0073185 A1 3/2014 Siahaan et al.
 2014/0073186 A1 3/2014 Webb
 2014/0073191 A1 3/2014 Colahan et al.
 2014/0073201 A1 3/2014 Weber et al.
 2014/0073206 A1 3/2014 Golko et al.
 2014/0075061 A1 3/2014 Fritchman et al.
 2014/0075067 A1 3/2014 Mullins et al.
 2014/0075169 A1 3/2014 Andrews et al.
 2014/0075210 A1 3/2014 Rich et al.

FOREIGN PATENT DOCUMENTS

CN 201320217628.8 10/2013
 WO WO 2006/074348 A1 7/2006
 WO WO 2011/150403 A1 12/2011
 WO WO 2011/160138 A2 12/2011
 WO WO 2011/163256 A1 12/2011
 WO WO 2011/163260 A1 12/2011
 WO WO 2012/103383 A2 8/2012
 WO WO 2013/0817041 6/2013
 WO WO 2014/040224 A1 3/2014
 WO WO 2014/040231 A1 3/2014

* cited by examiner

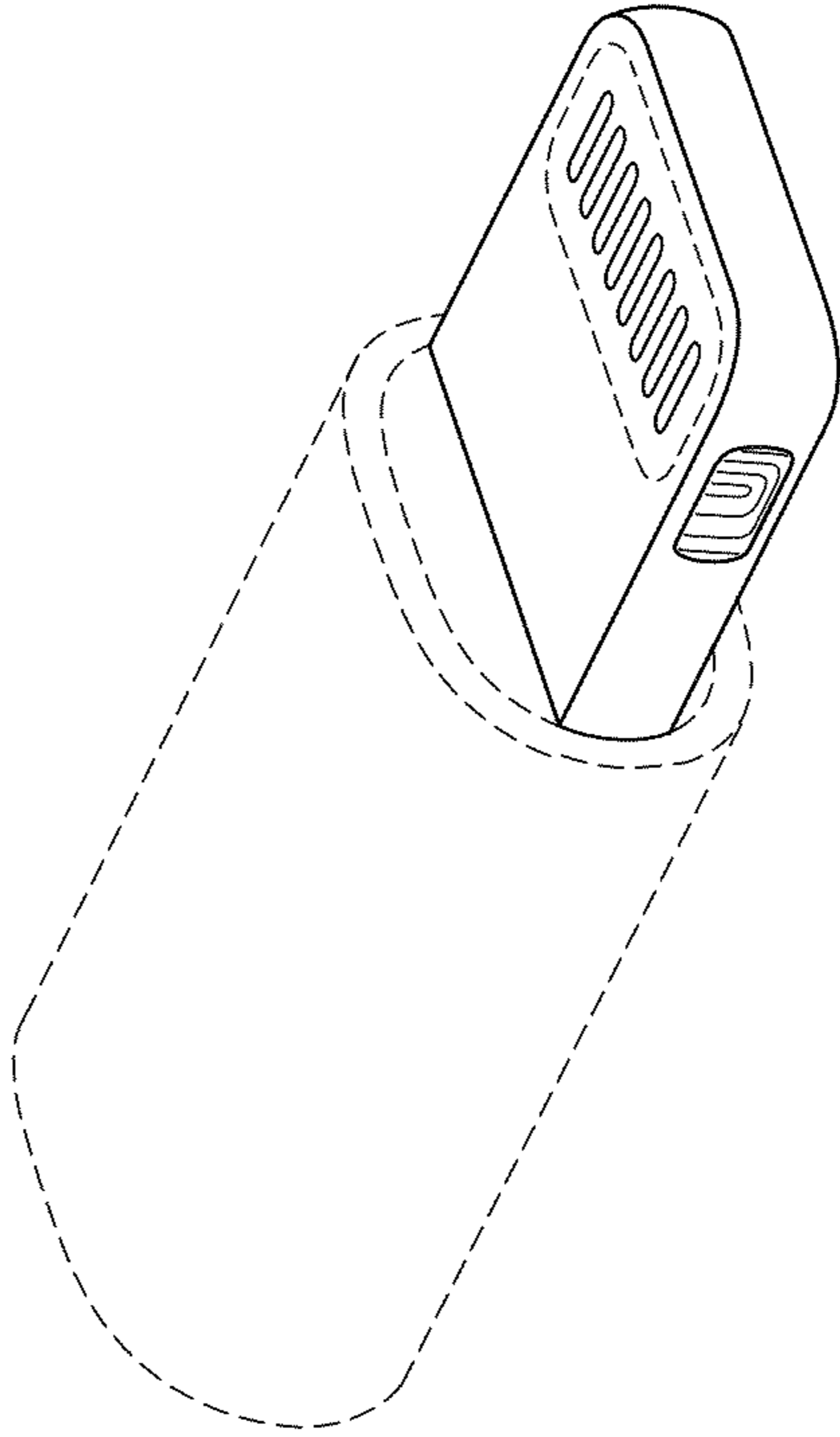


FIG. 1

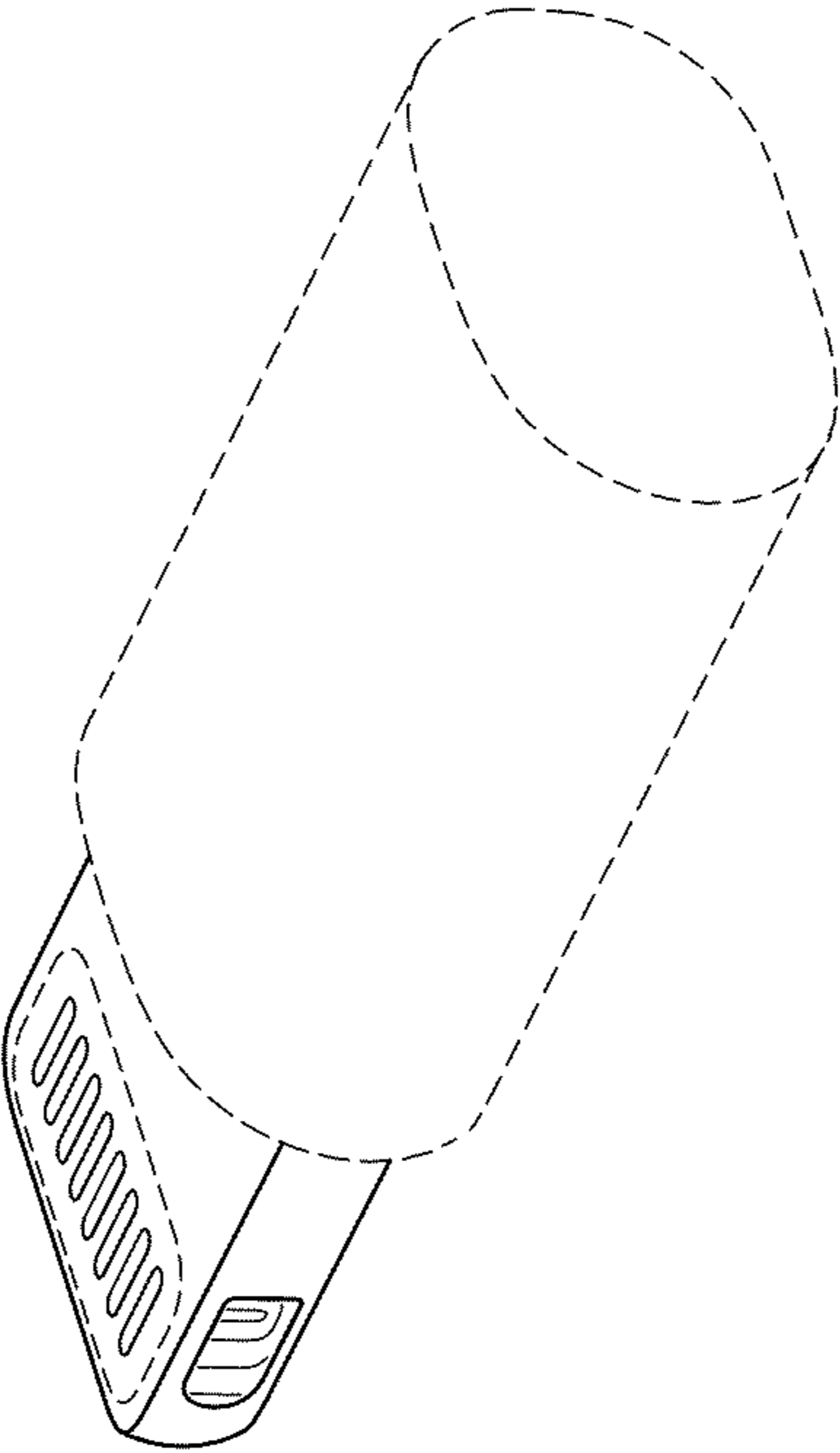


FIG. 2

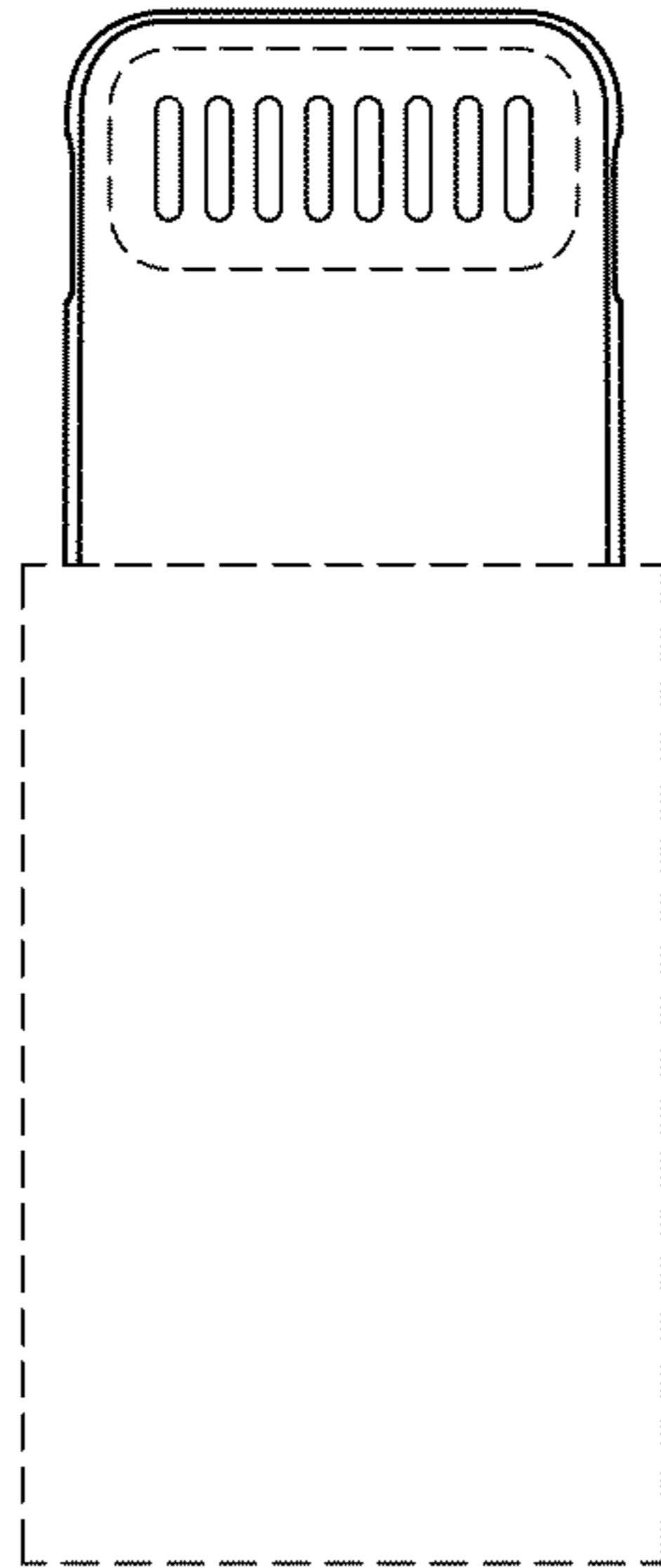


FIG. 3

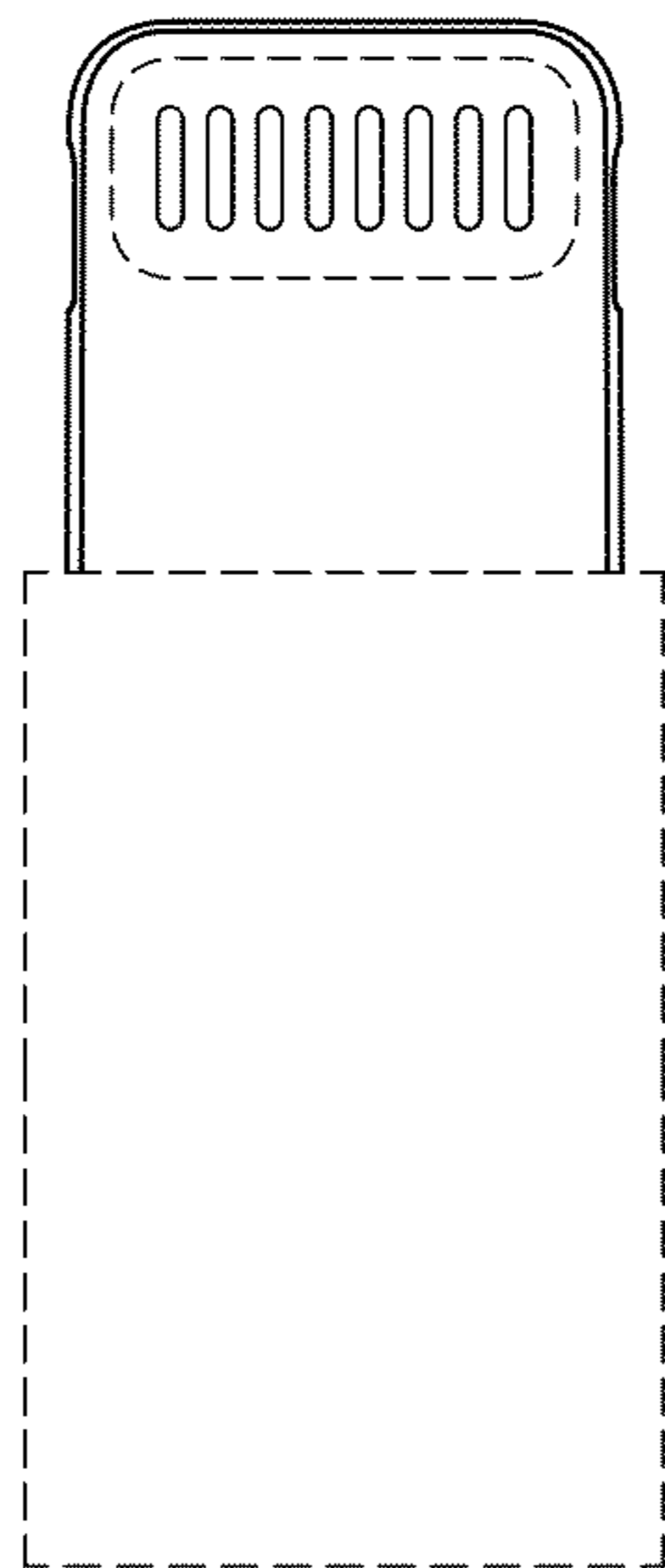


FIG. 4

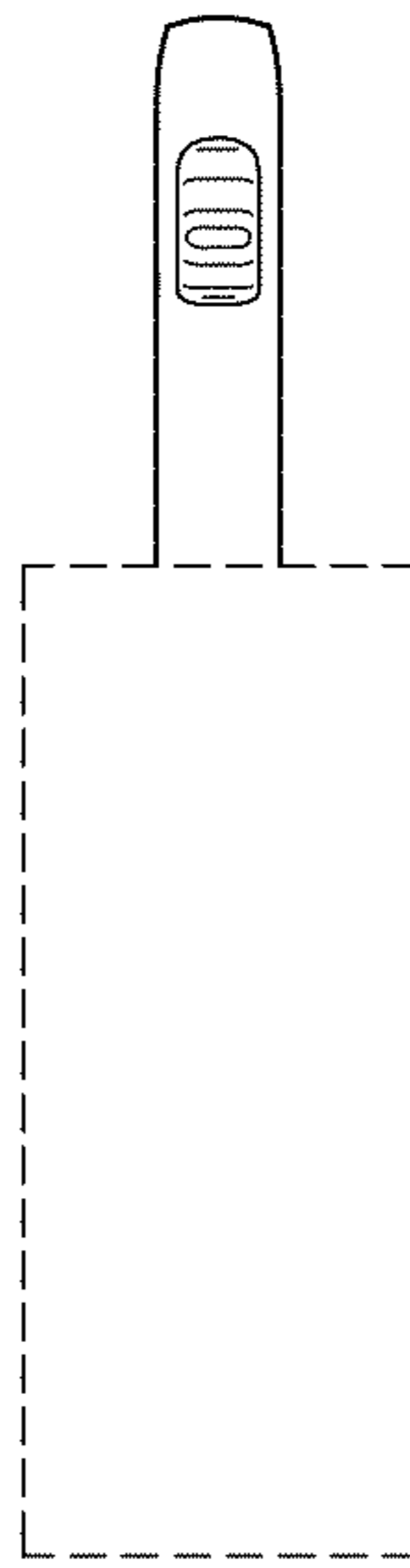


FIG. 5

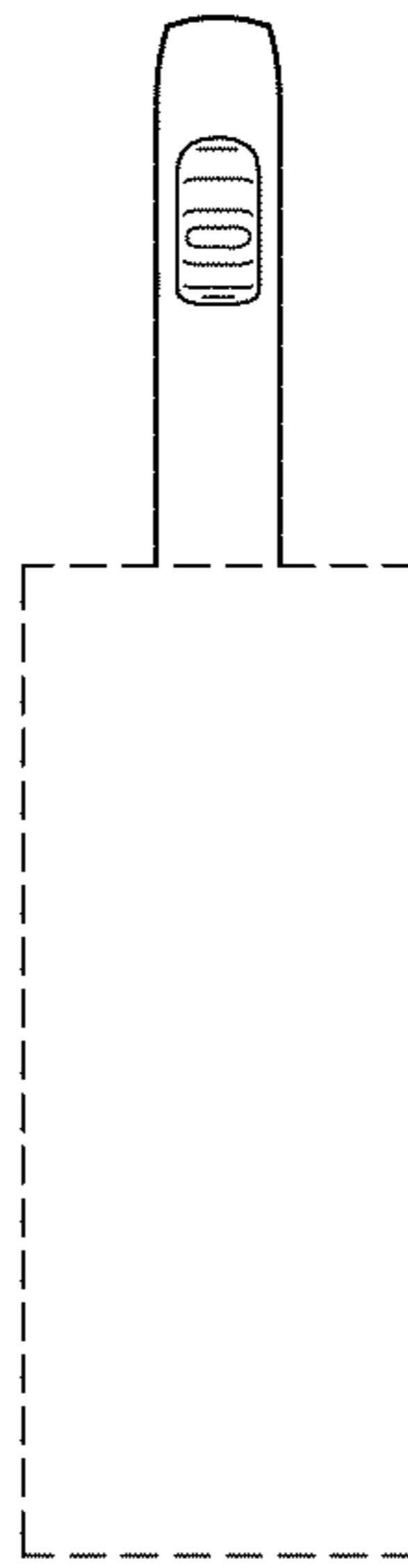


FIG. 6

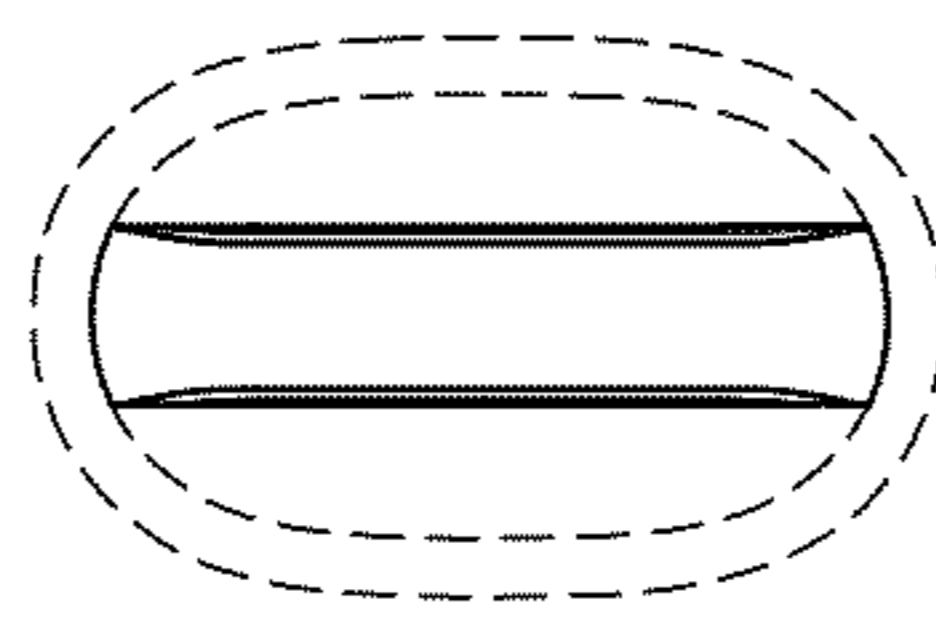


FIG. 7

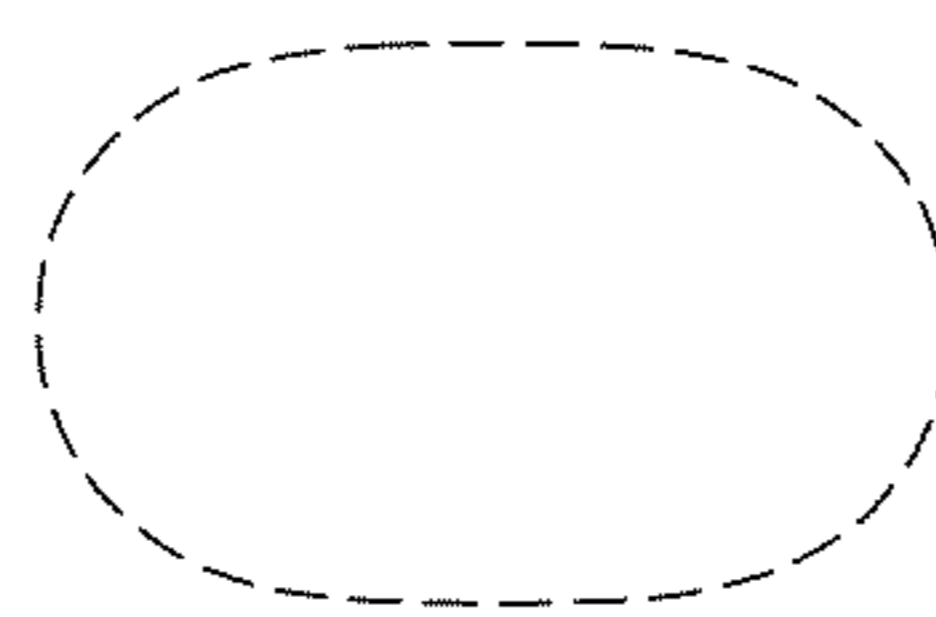


FIG. 8