



US00D713795S

(12) **United States Design Patent**
Yang

(10) **Patent No.:** **US D713,795 S**

(45) **Date of Patent:** **** Sep. 23, 2014**

(54) **PLUG CONNECTOR**

(71) Applicant: **Cheng Uei Precision Industry Co., Ltd.**, New Taipei (TW)

(72) Inventor: **Chih-Lin Yang**, New Taipei (TW)

(73) Assignee: **Cheng Uei Precision Industry Co., Ltd.**, New Taipei (TW)

(**) Term: **14 Years**

(21) Appl. No.: **29/478,826**

(22) Filed: **Jan. 8, 2014**

(51) **LOC (10) Cl.** **13-03**

(52) **U.S. Cl.**
USPC **D13/147**

(58) **Field of Classification Search**
USPC D13/146–147, 154, 184, 199; 439/66, 439/74, 79, 188, 344, 345, 346, 350, 351, 439/352, 353, 357, 358, 374, 497, 607.1, 439/607.2, 607.3, 607.4, 607.45, 607.49, 439/607.58, 660, 668, 680, 865, 866, 887, 439/874, 883, 892, 899

See application file for complete search history.

(56) **References Cited**

U.S. PATENT DOCUMENTS

D378,209 S * 2/1997 Morikawa et al. D13/147

D521,937 S * 5/2006 Nishio et al. D13/147
D548,700 S * 8/2007 Ledbetter et al. D13/154
D552,546 S * 10/2007 Nishio et al. D13/133
D600,652 S * 9/2009 Hong et al. D13/154
D619,963 S * 7/2010 Hou D13/133
D692,390 S * 10/2013 Smith et al. D13/153

* cited by examiner

Primary Examiner — Daniel Bui

(74) *Attorney, Agent, or Firm* — Cheng-Ju Chiang

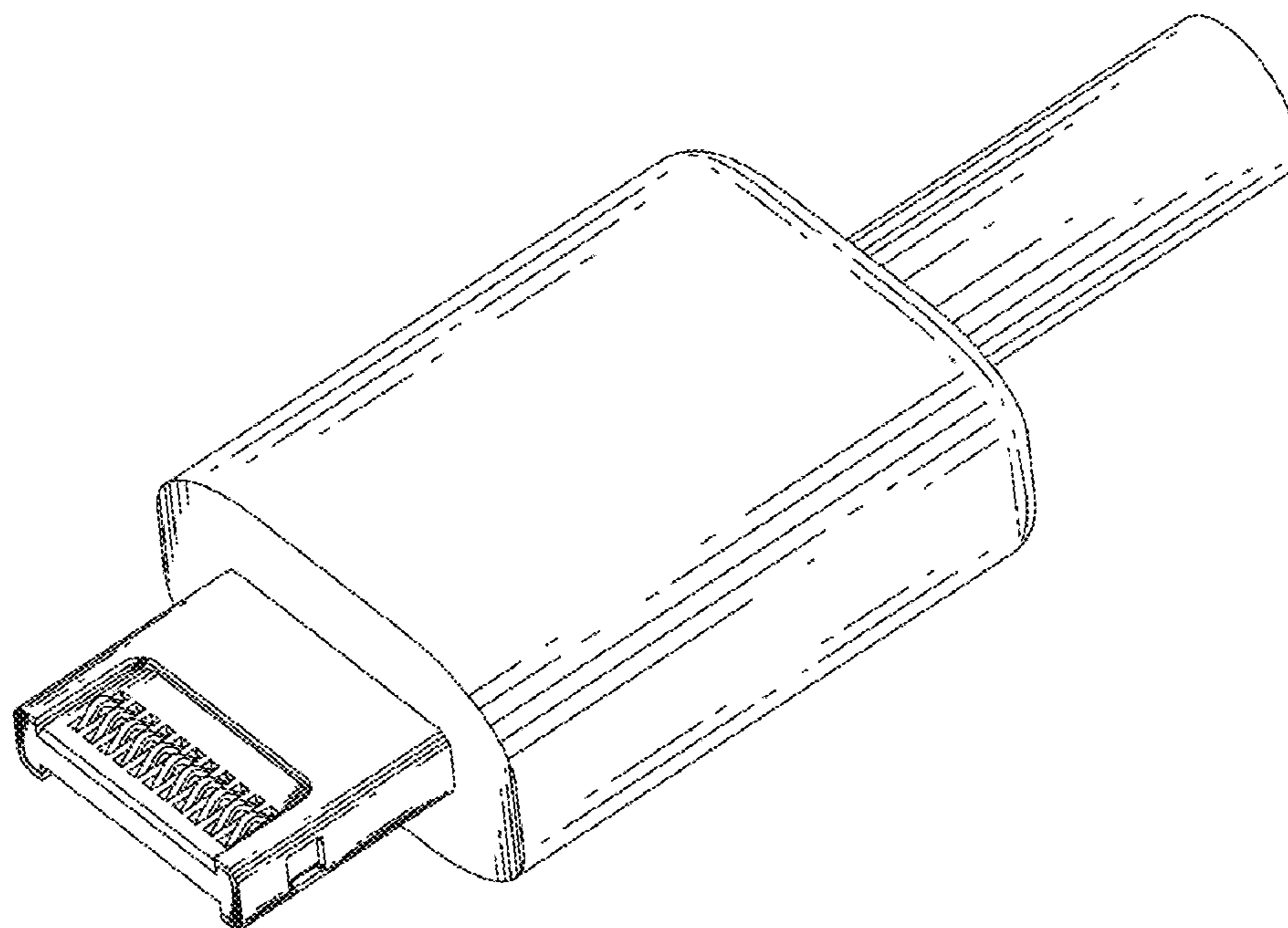
(57) **CLAIM**

The ornamental design for a plug connector, as shown and described.

DESCRIPTION

FIG. 1 is a perspective view of a plug connector showing my new design;
FIG. 2 is a front elevational view thereof;
FIG. 3 is a rear elevational view thereof;
FIG. 4 is a left side elevational view thereof;
FIG. 5 is a right side elevational view thereof;
FIG. 6 is a top plan view thereof; and,
FIG. 7 is a bottom plan view thereof.

1 Claim, 7 Drawing Sheets



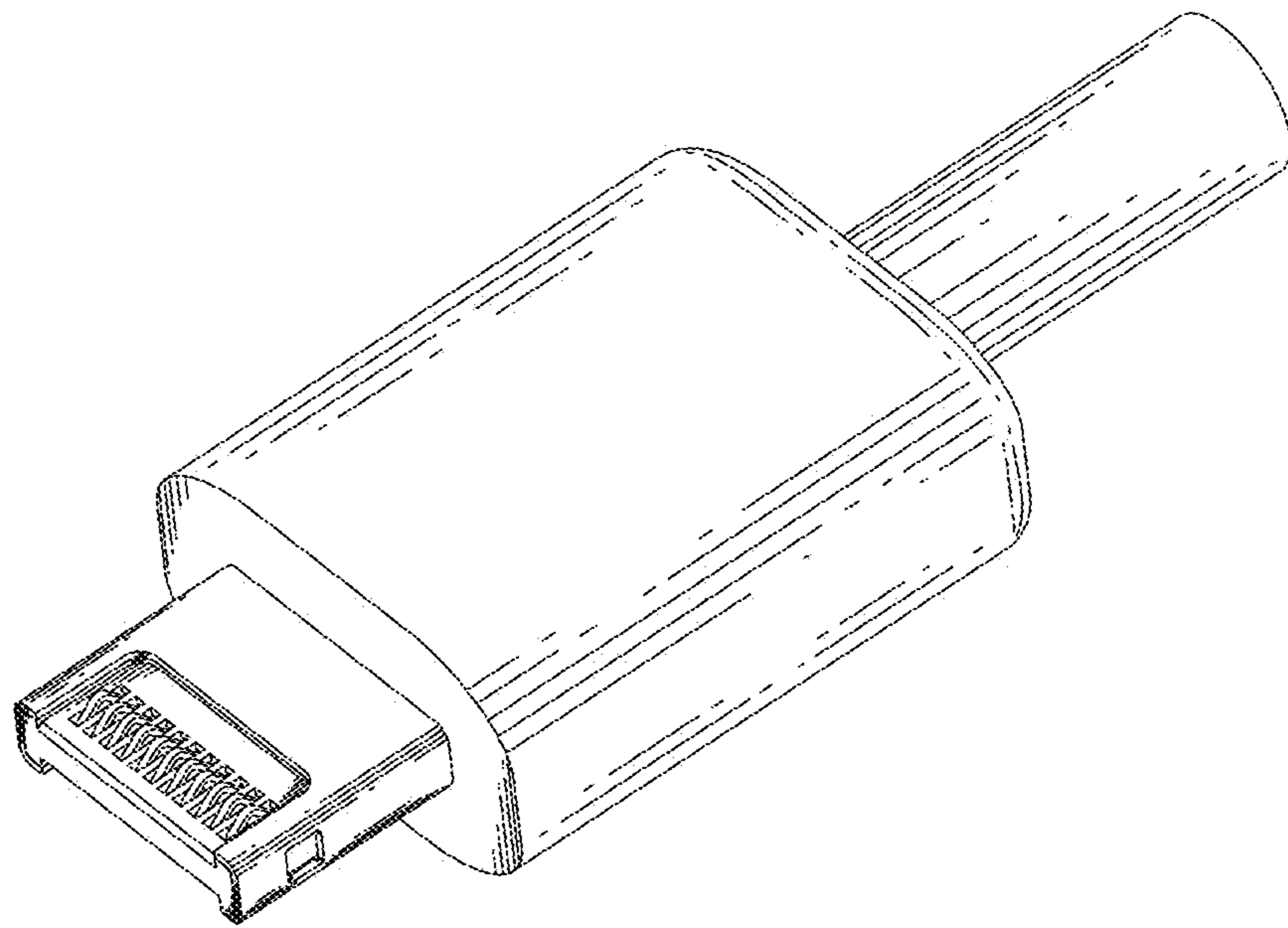


FIG. 1

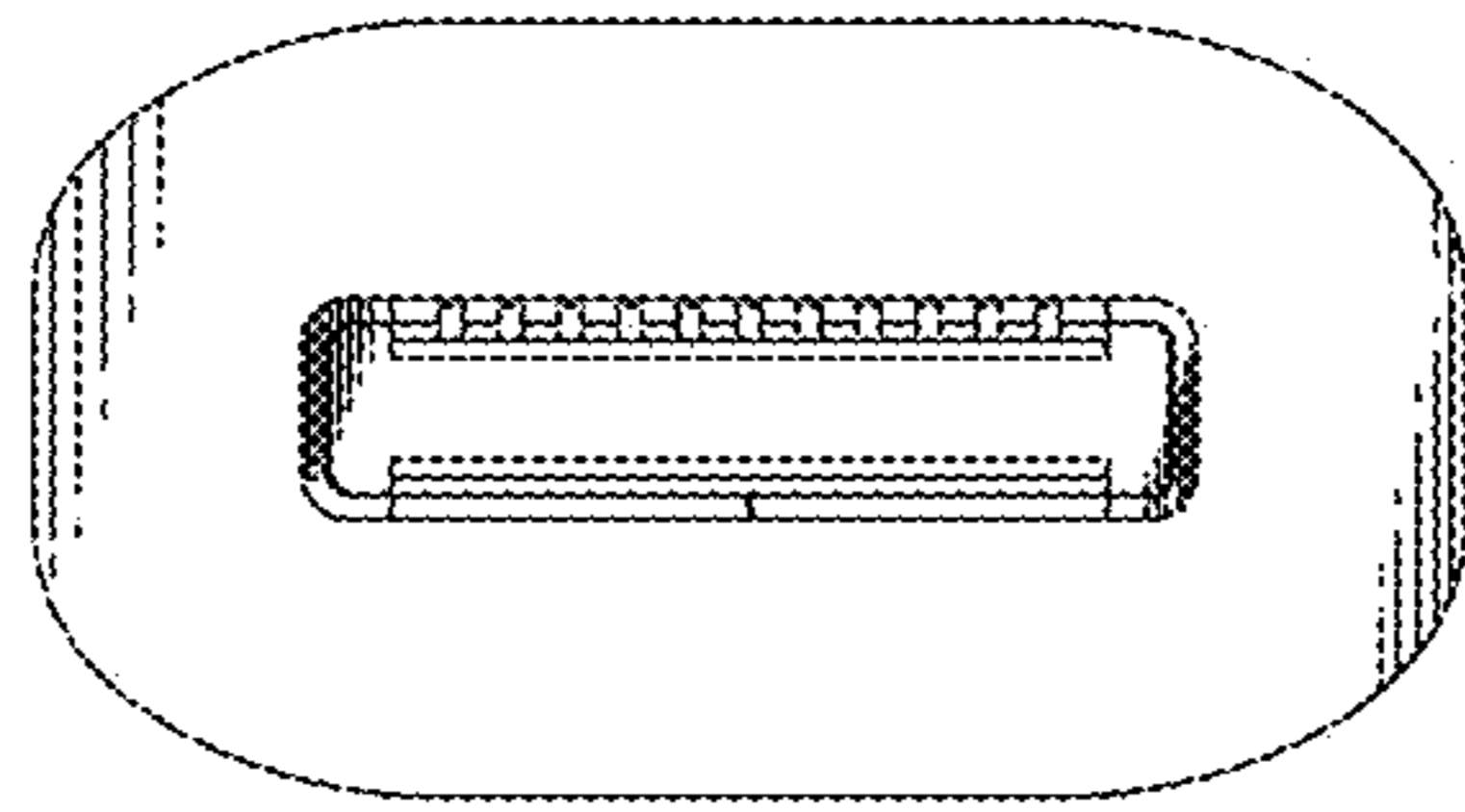


FIG. 2

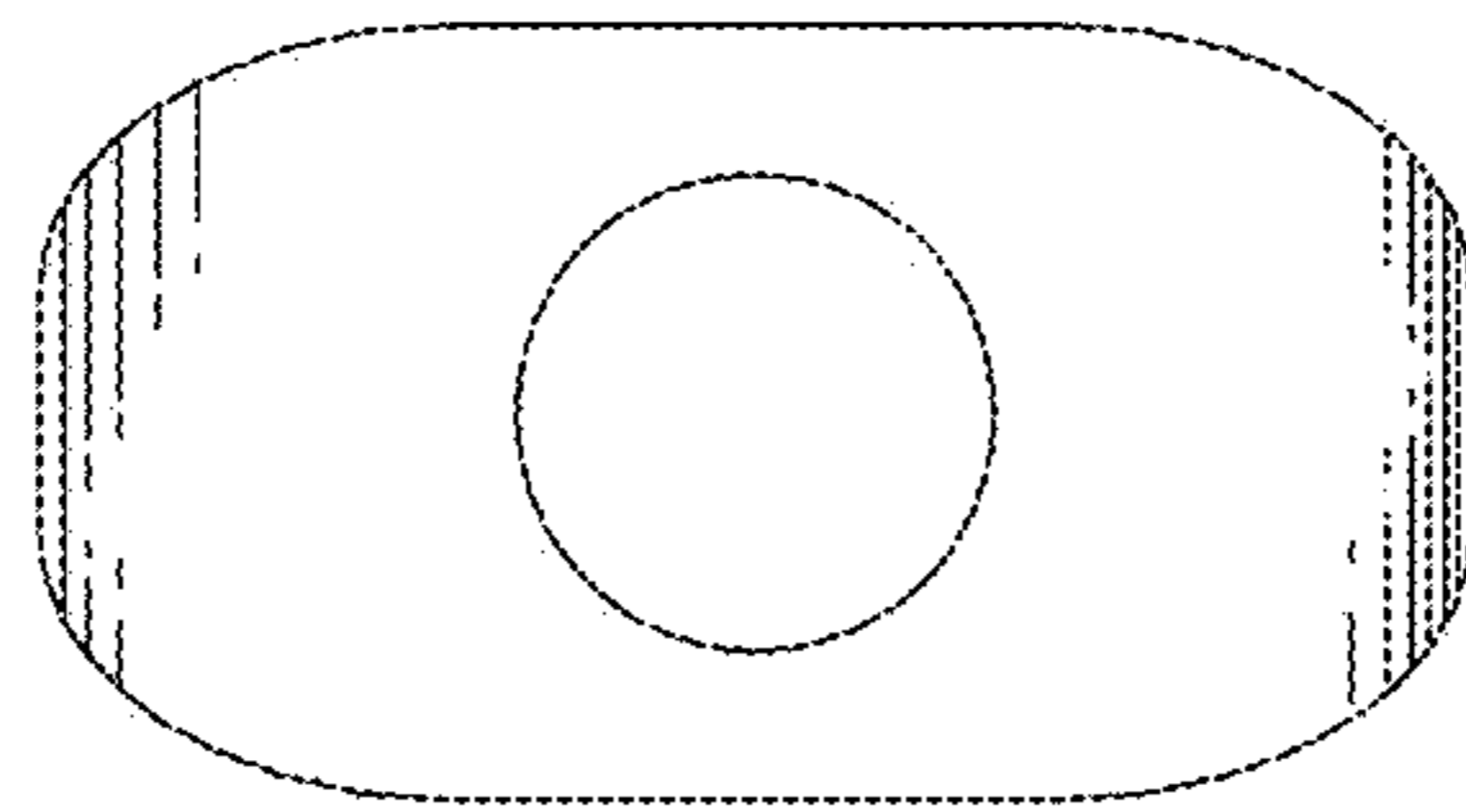


FIG. 3

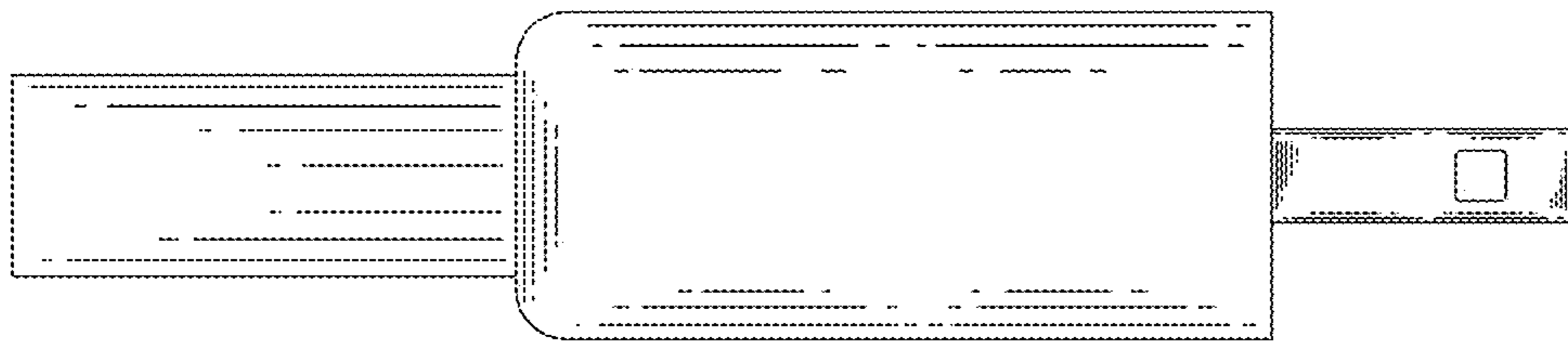


FIG. 4

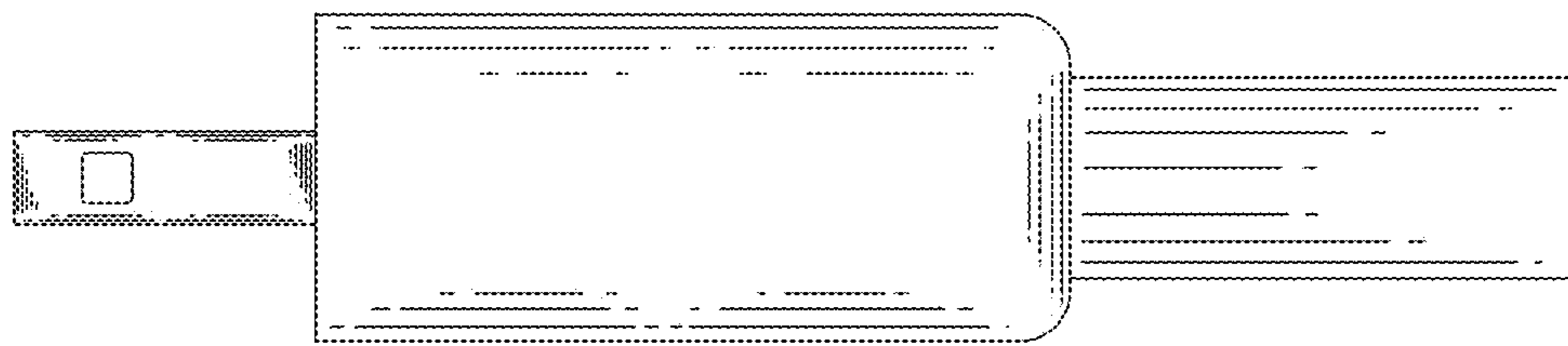


FIG. 5

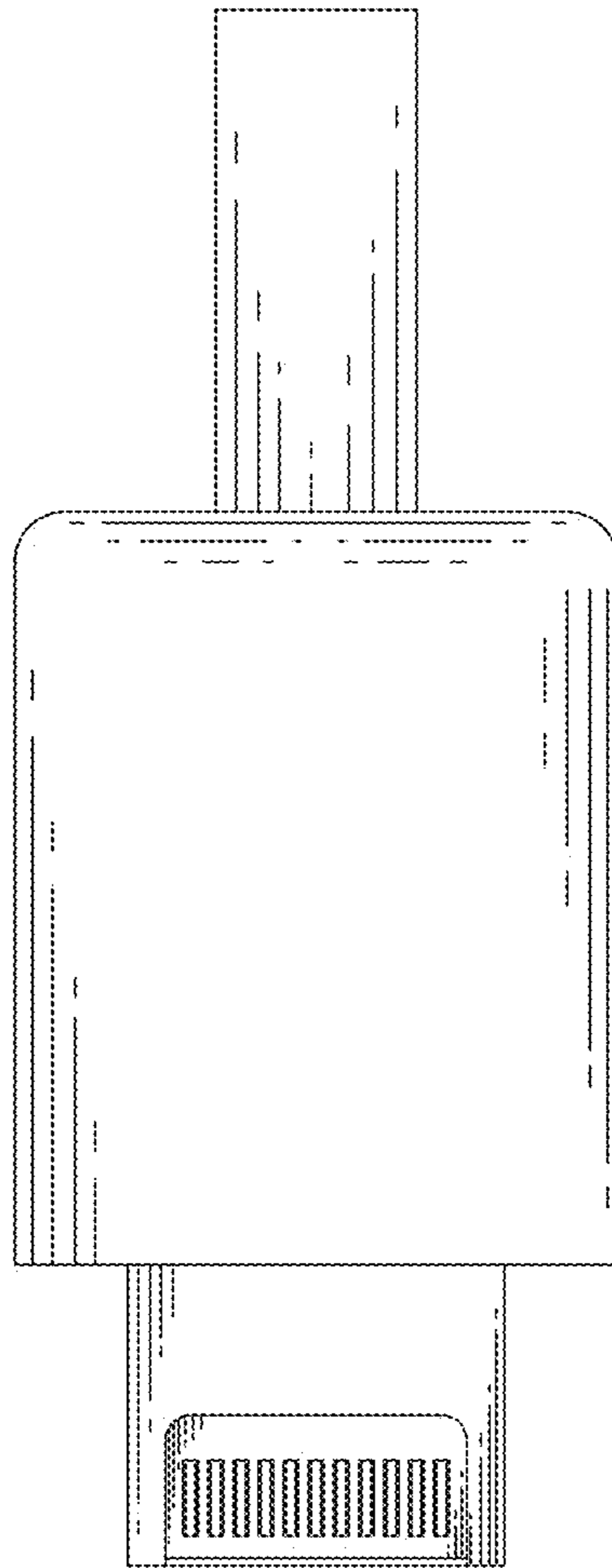


FIG. 6

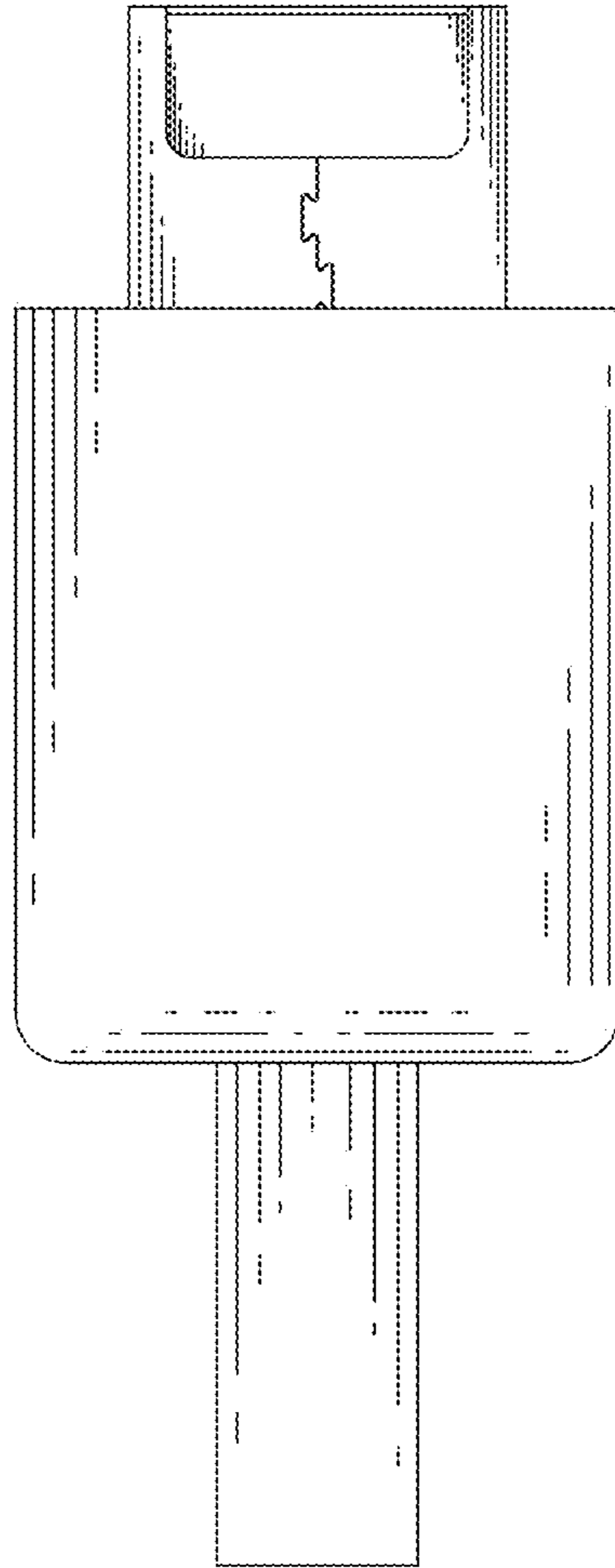


FIG. 7