



US00D713794S

(12) **United States Design Patent**
Katayanagi

(10) **Patent No.:** **US D713,794 S**

(45) **Date of Patent:** **** Sep. 23, 2014**

(54) **ELECTRICAL CONNECTOR**

(71) Applicant: **Japan Aviation Electronics Industry, Limited, Tokyo (JP)**

(72) Inventor: **Masayuki Katayanagi, Tokyo (JP)**

(73) Assignee: **Japan Aviation Electronics Industry, Limited, Tokyo (JP)**

(**) Term: **14 Years**

(21) Appl. No.: **29/475,889**

(22) Filed: **Dec. 9, 2013**

(30) **Foreign Application Priority Data**

Jun. 21, 2013 (JP) 2013-014030

(51) **LOC (10) Cl.** **13-03**

(52) **U.S. Cl.**
USPC **D13/147**

(58) **Field of Classification Search**
USPC D13/146-147, 154, 184, 199; 439/66, 439/74, 79, 188, 344, 345, 346, 350, 351, 439/352, 353, 357, 358, 374, 497, 607.1, 439/607.2, 607.3, 607.4, 607.45, 607.49, 439/607.58, 660, 668, 680, 865, 866, 887, 439/874, 883, 892, 899

See application file for complete search history.

(56) **References Cited**

U.S. PATENT DOCUMENTS

D422,559 S *	4/2000	Tsai	D13/147
D453,320 S *	2/2002	Sugino	D13/147
D641,323 S *	7/2011	Kondo et al.	D13/147
D649,120 S *	11/2011	Kondo et al.	D13/147
D680,076 S *	4/2013	McManigal	D13/147
D691,095 S *	10/2013	Izen et al.	D13/147

* cited by examiner

Primary Examiner — Daniel Bui

(74) *Attorney, Agent, or Firm* — Westerman, Hattori, Daniels & Adrian, LLP

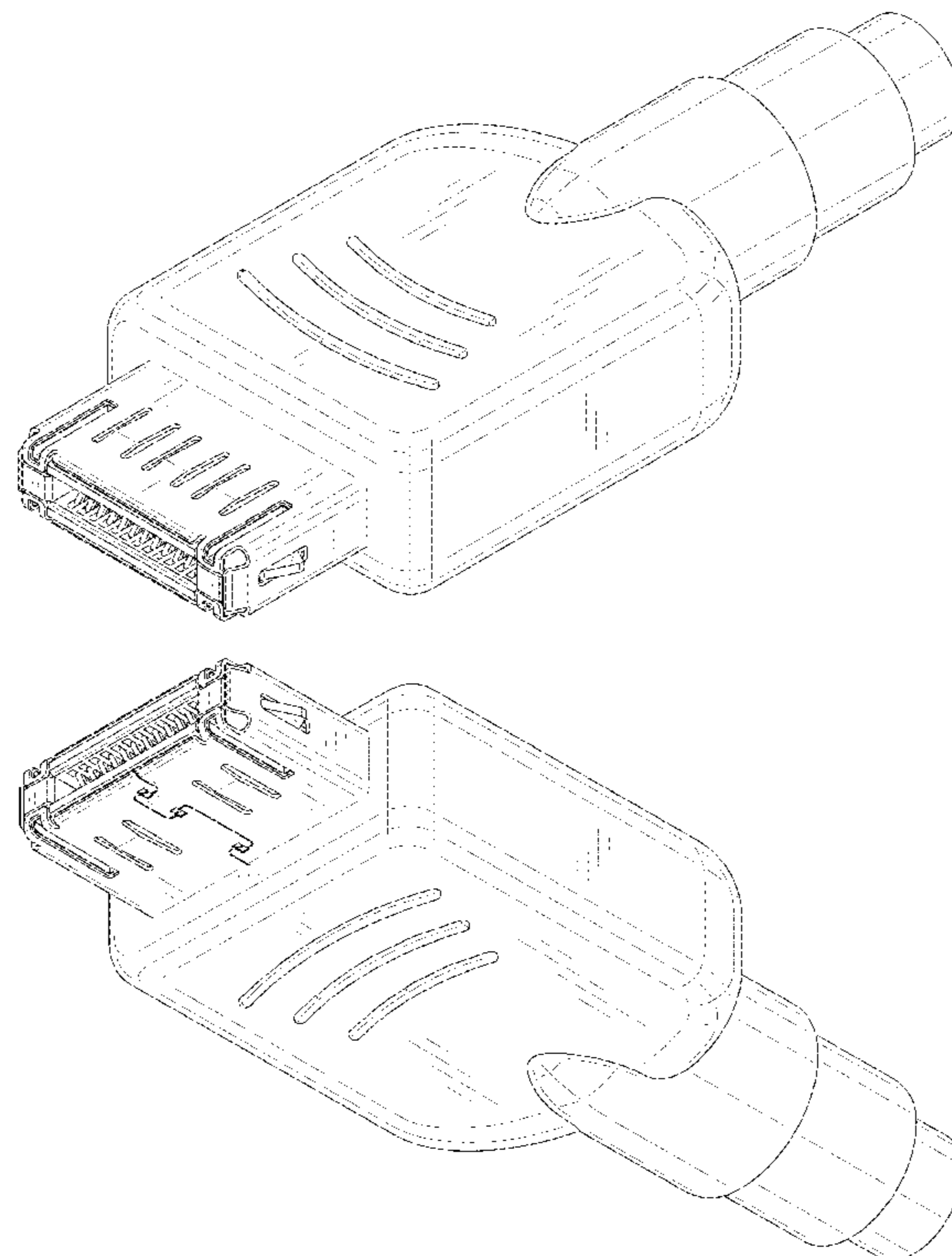
(57) **CLAIM**

The ornamental design for an electrical connector, as shown and described.

DESCRIPTION

FIG. 1 is a front elevational view of an electrical connector, showing my new design;
FIG. 2 is a rear elevational view thereof;
FIG. 3 is a right side elevational view thereof;
FIG. 4 is a left side elevational view thereof;
FIG. 5 is a top plan view thereof;
FIG. 6 is a bottom plan view thereof;
FIG. 7 is a right front perspective view showing the top thereof;
FIG. 8 is a left rear perspective view showing the bottom thereof;
FIG. 9 is a right front perspective view showing the bottom thereof; and,
FIG. 10 is a left rear perspective view showing the top thereof.

1 Claim, 10 Drawing Sheets



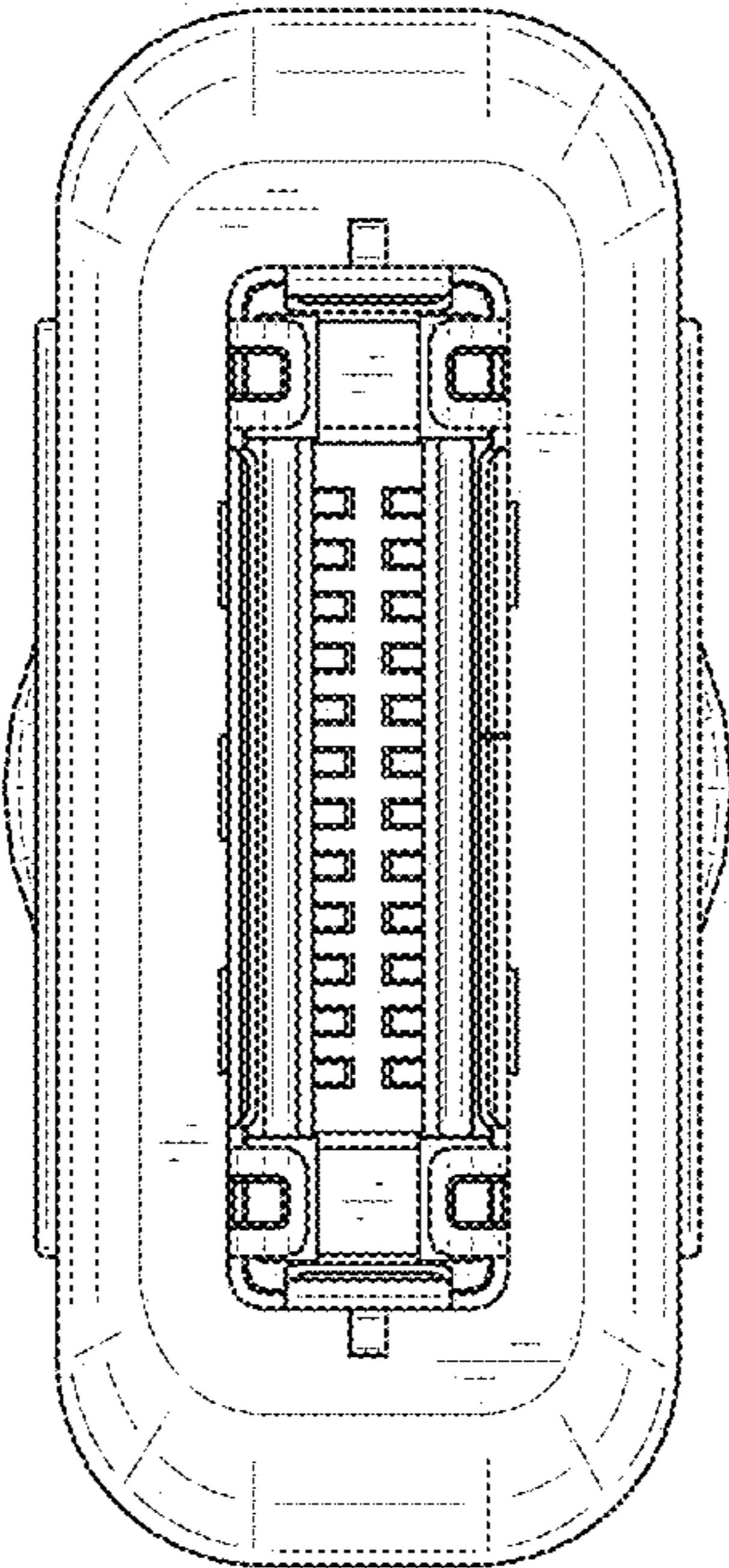


FIG.1

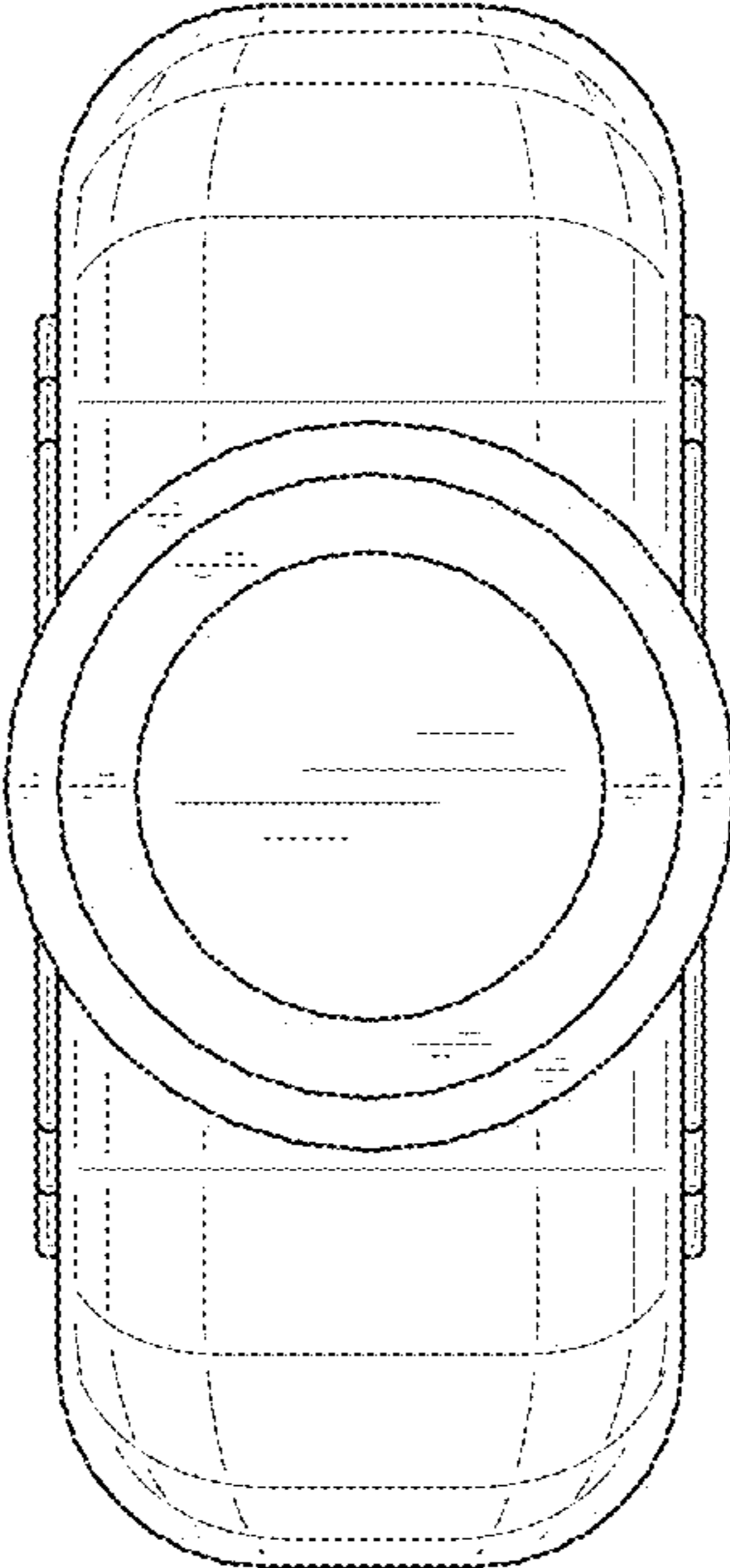


FIG.2

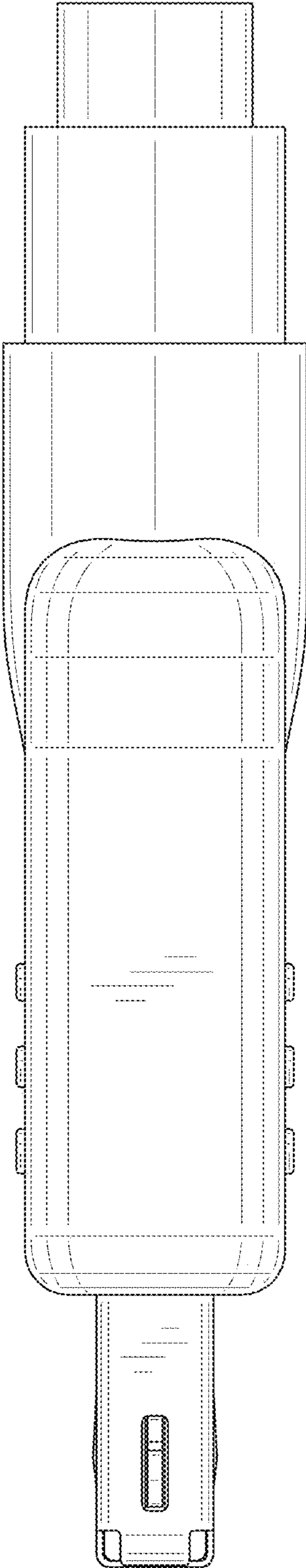


FIG.3

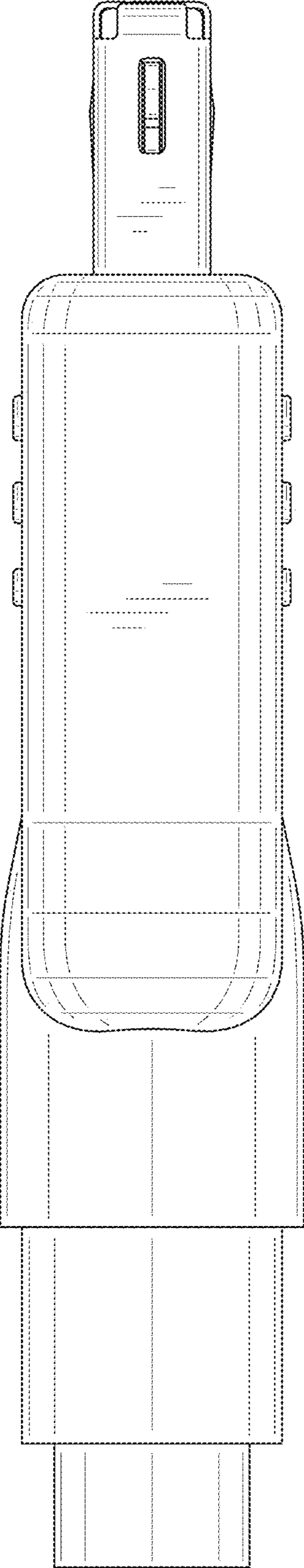


FIG.4

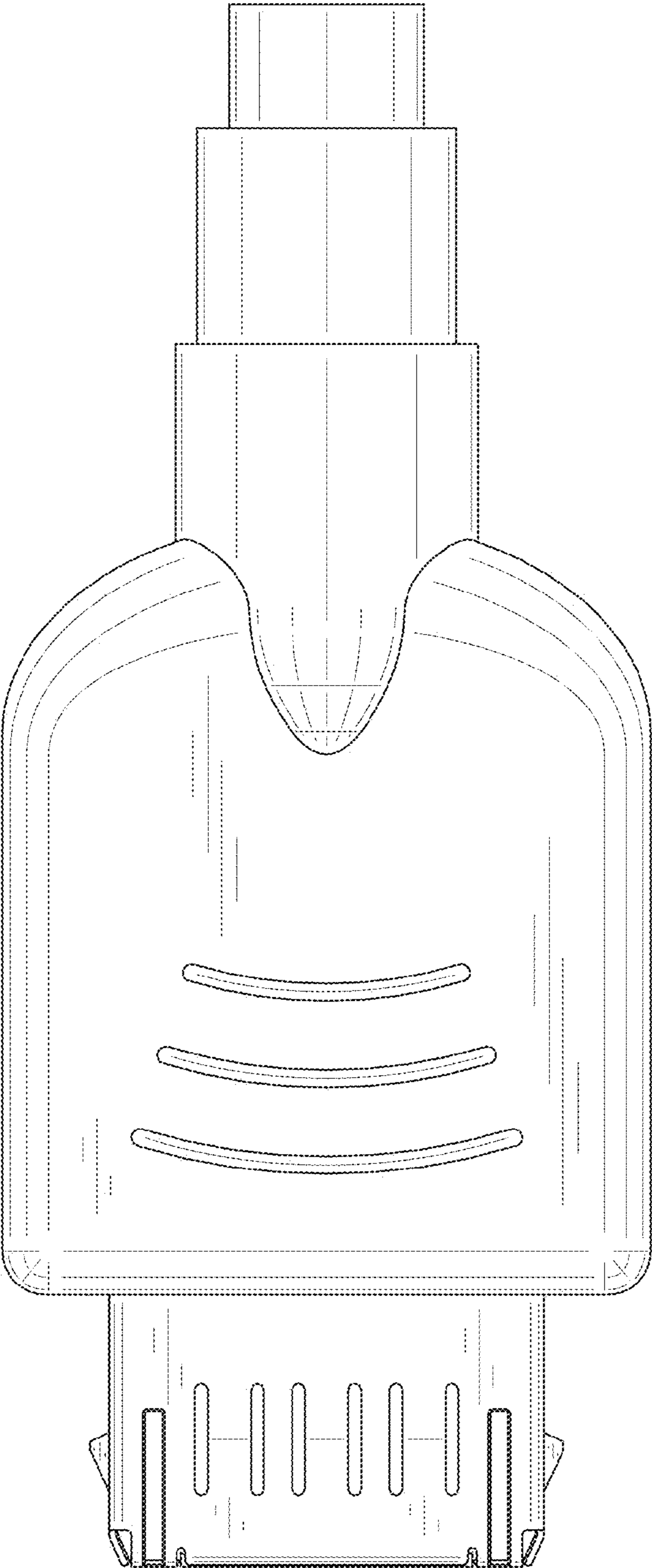


FIG.5

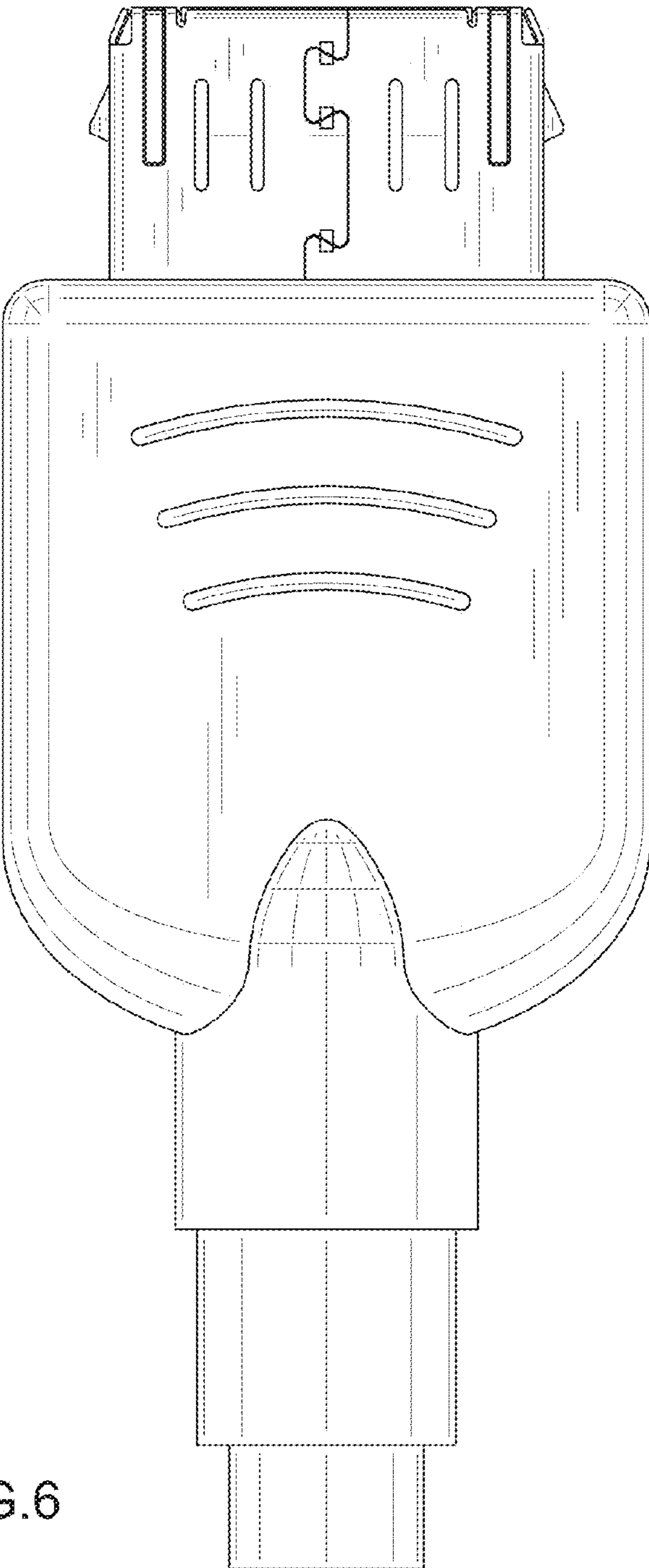


FIG.6

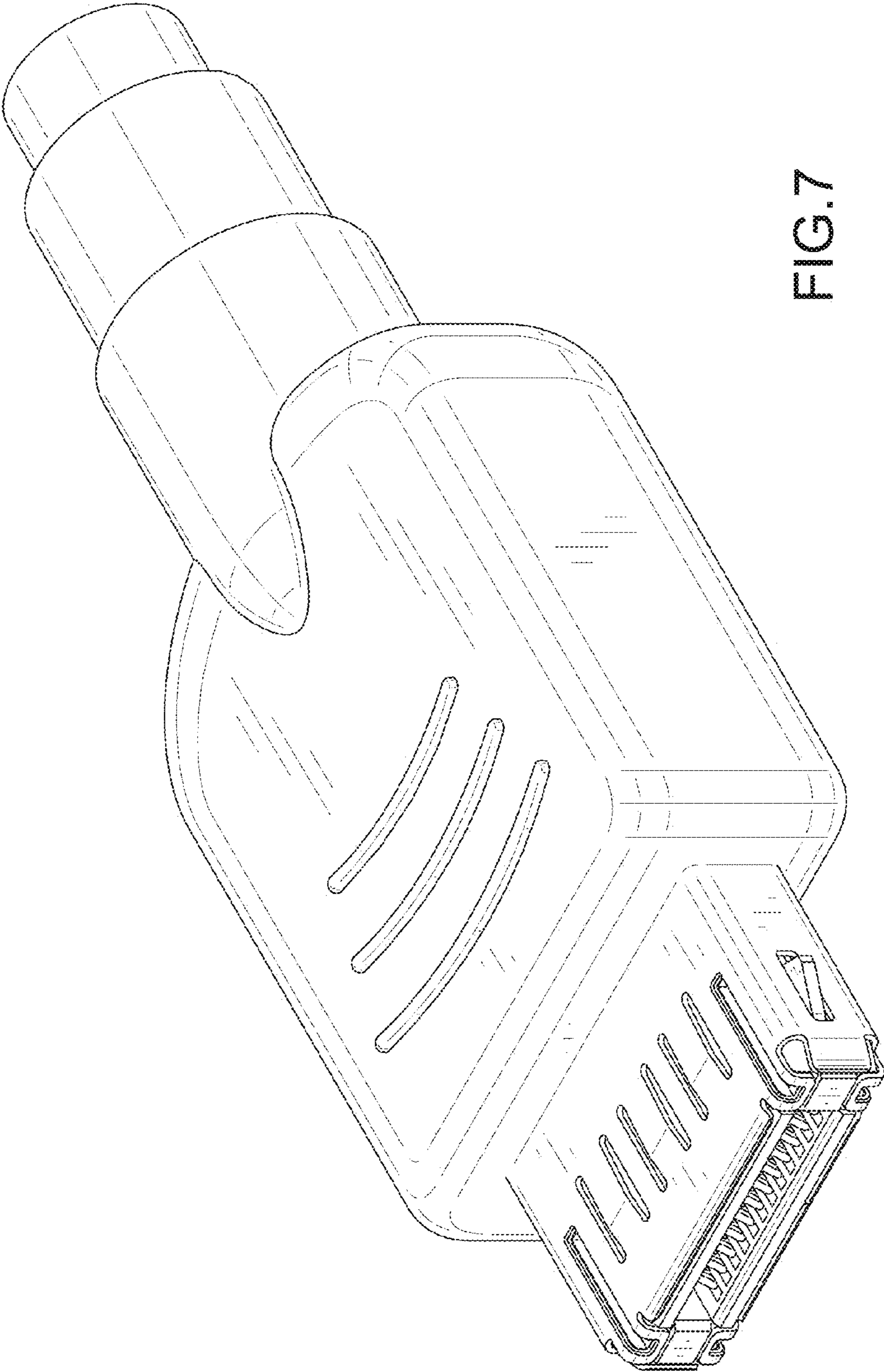


FIG. 7

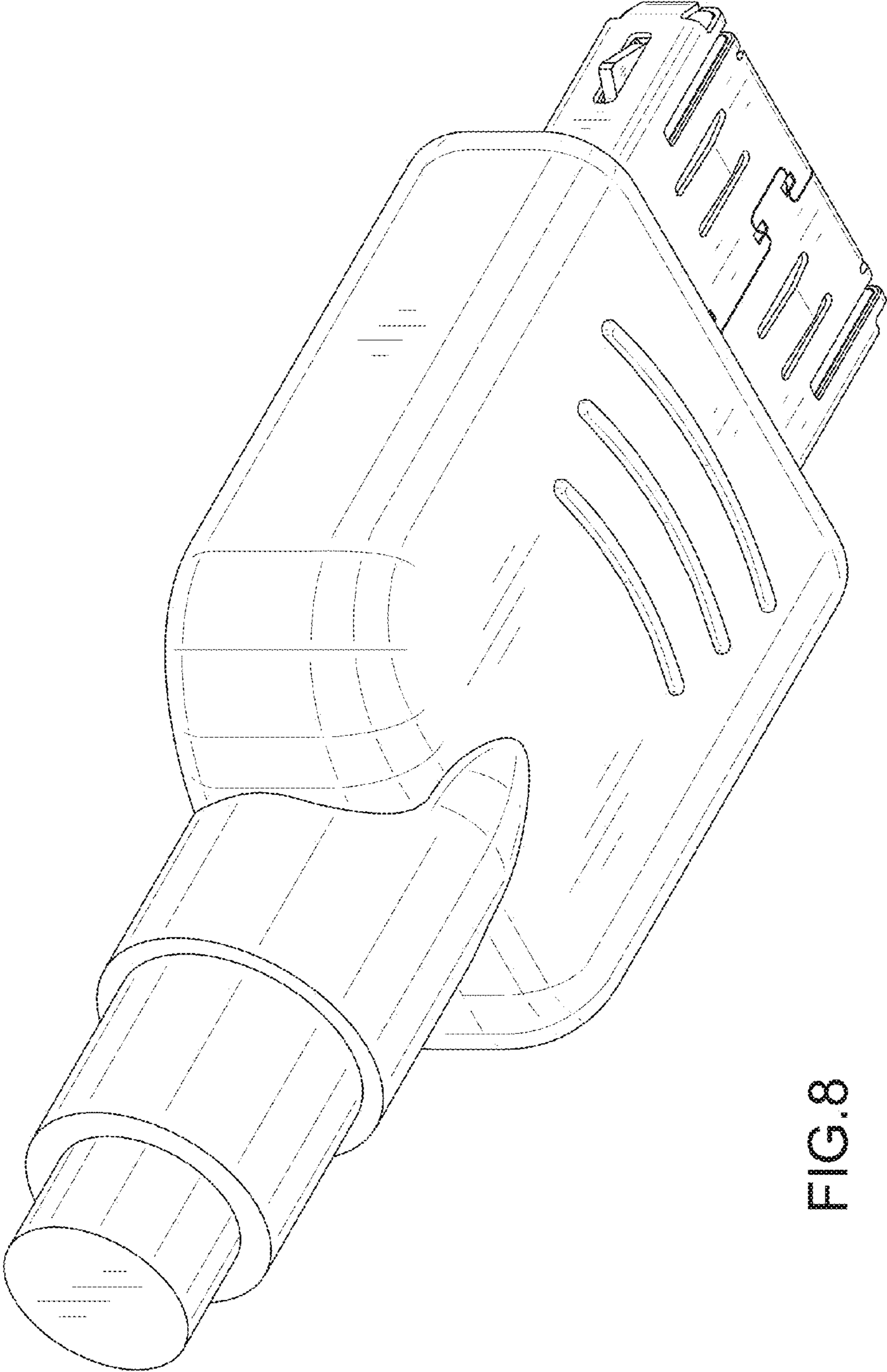


FIG.8

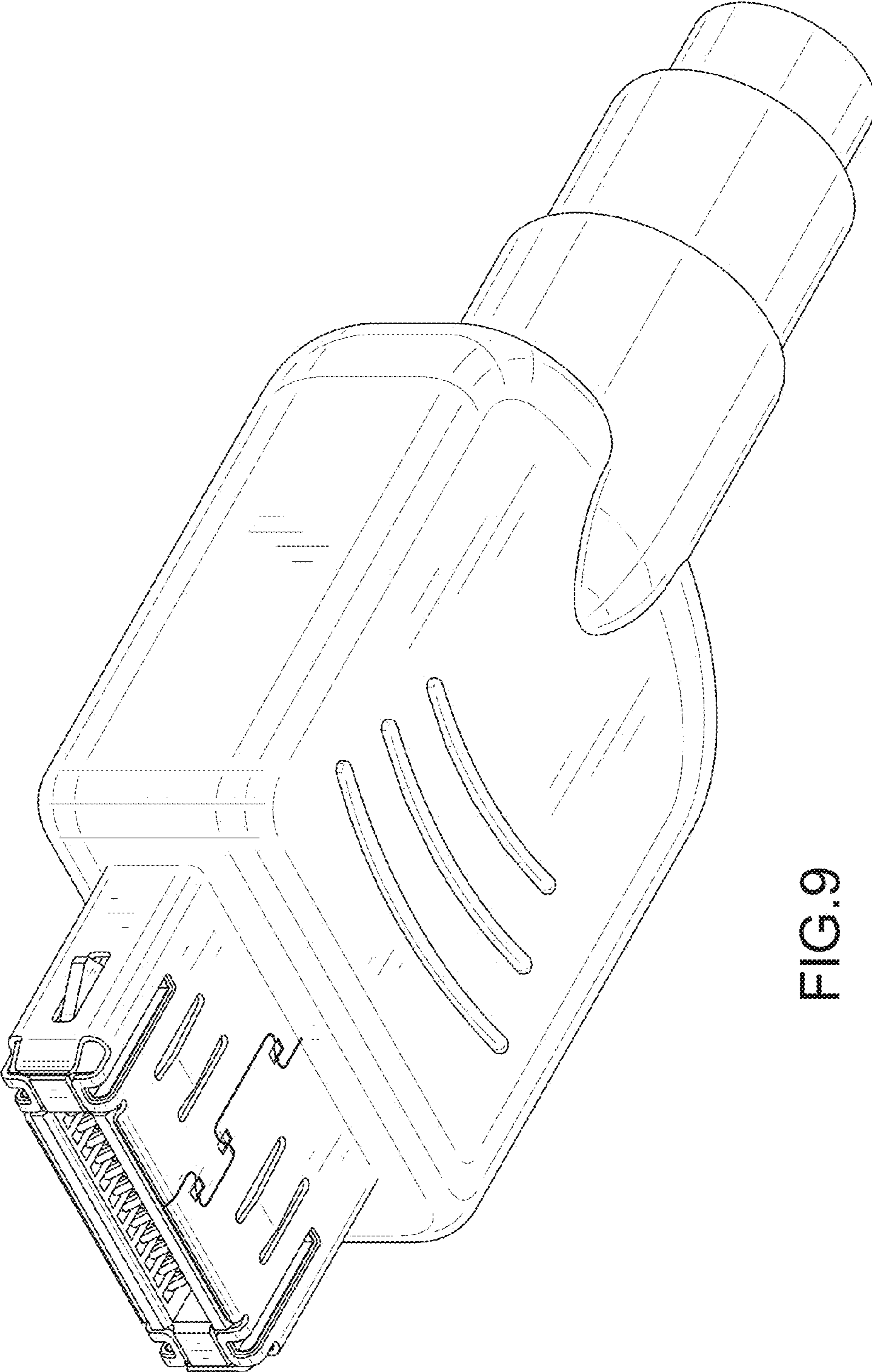


FIG. 9

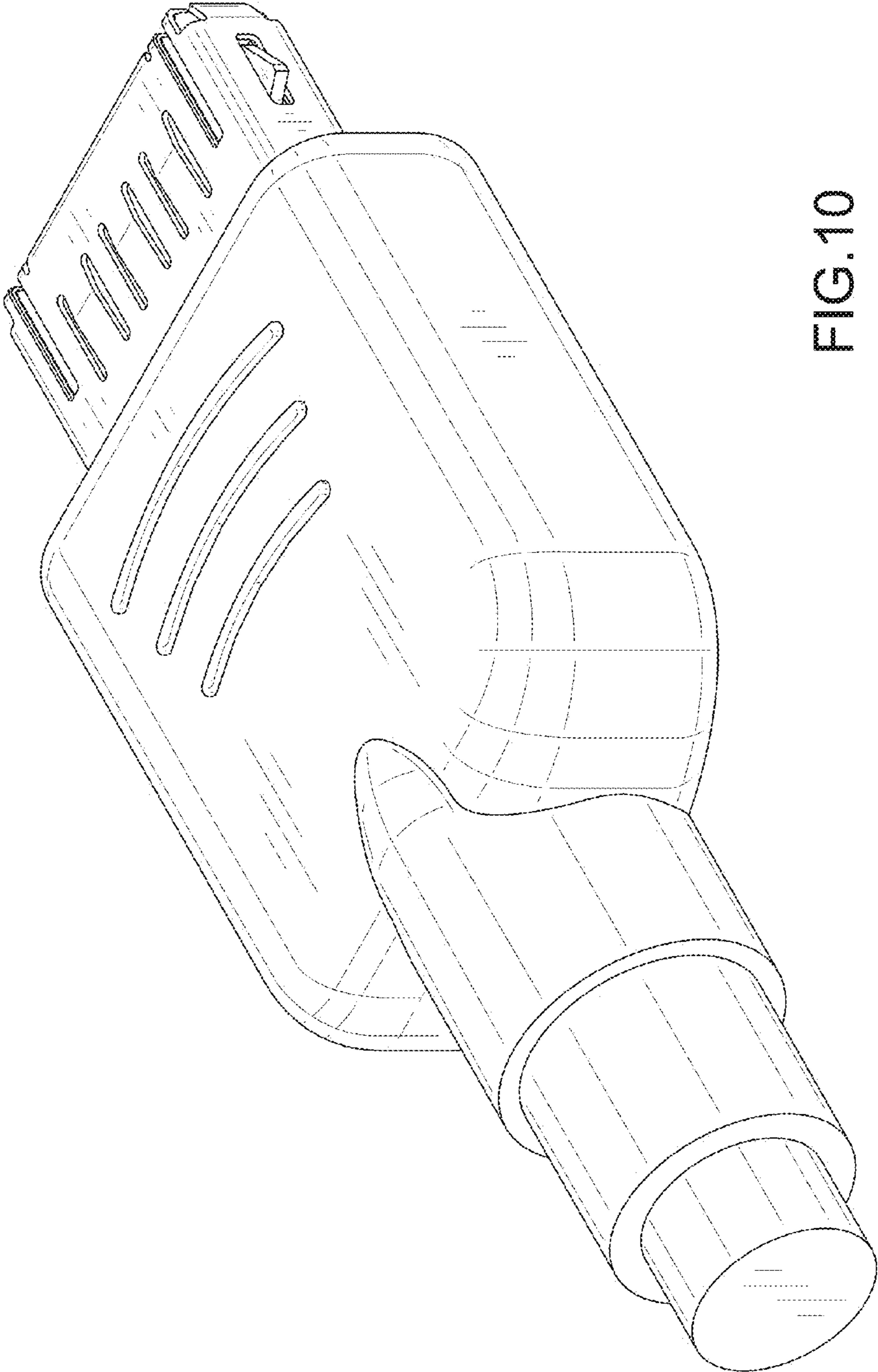


FIG.10