



US00D713792S

(12) **United States Design Patent**
Müller

(10) **Patent No.:** **US D713,792 S**

(45) **Date of Patent:** **** Sep. 23, 2014**

(54) **ELECTRICAL CONNECTOR**

(75) Inventor: **Gerwin Müller**, Kiel (DE)

(73) Assignee: **Phoenix Contract GmbH & Co. KG**,
Blomberg (DE)

(**) Term: **14 Years**

(21) Appl. No.: **29/430,147**

(22) Filed: **Aug. 22, 2012**

(30) **Foreign Application Priority Data**

Feb. 22, 2012 (EM) 001996653-0006

(51) **LOC (10) CL.** **13-03**

(52) **U.S. Cl.**
USPC **D13/147**

(58) **Field of Classification Search**
USPC D13/107–109, 118–119, 133, 146, 147,
D13/154, 184, 199; 320/104, 107–115,
320/FOR. 104, FOR. 119, DIG. 35
See application file for complete search history.

(56) **References Cited**

U.S. PATENT DOCUMENTS

5,536,173 A * 7/1996 Fujitani et al. 439/34
5,614,808 A * 3/1997 Konoya et al. 320/109

5,627,448 A * 5/1997 Okada et al. 439/133
D608,737 S * 1/2010 Upham et al. D13/147
D620,453 S * 7/2010 Corless et al. D13/154
D673,122 S * 12/2012 Huss et al. D13/146
D675,570 S * 2/2013 Muller D13/147
D675,989 S * 2/2013 Sebald et al. D13/146

* cited by examiner

Primary Examiner — Daniel Bui

(74) *Attorney, Agent, or Firm* — Meister Seelig & Fein LLP

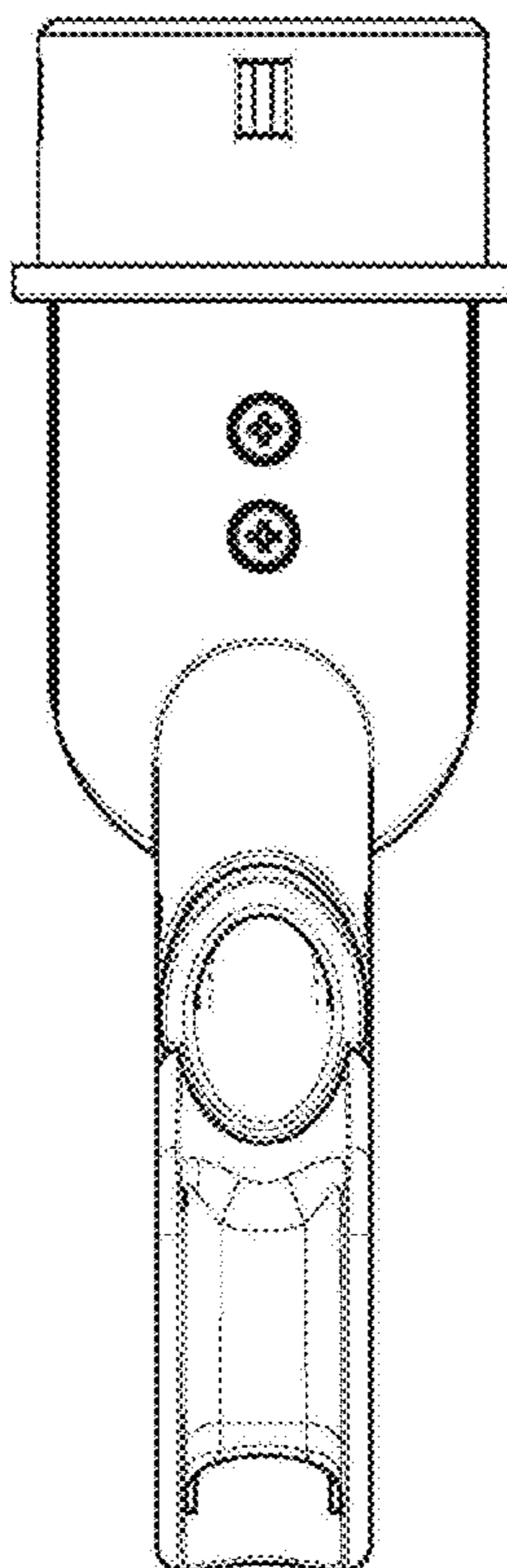
(57) **CLAIM**

The ornamental design for an electrical connector, as shown and described.

DESCRIPTION

FIG. 1 is a front, top, and right side perspective view of an electrical connector showing my design;
FIG. 2 is a right side view thereof;
FIG. 3 is a left side view thereof;
FIG. 4 is a top view thereof;
FIG. 5 is a bottom view thereof;
FIG. 6 is a rear view thereof; and,
FIG. 7 is a front view thereof.
Broken lines are included in the figure drawing views to illustrate unclaimed environment only and forms no parts of the design.

1 Claim, 5 Drawing Sheets



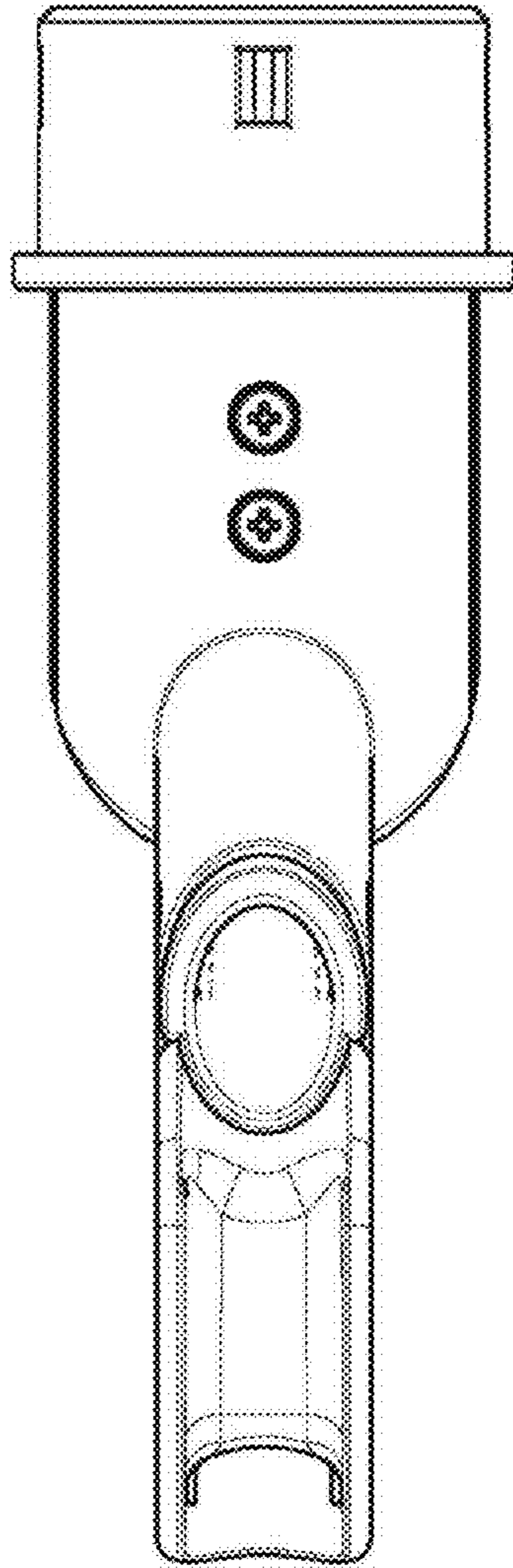


FIG. 1

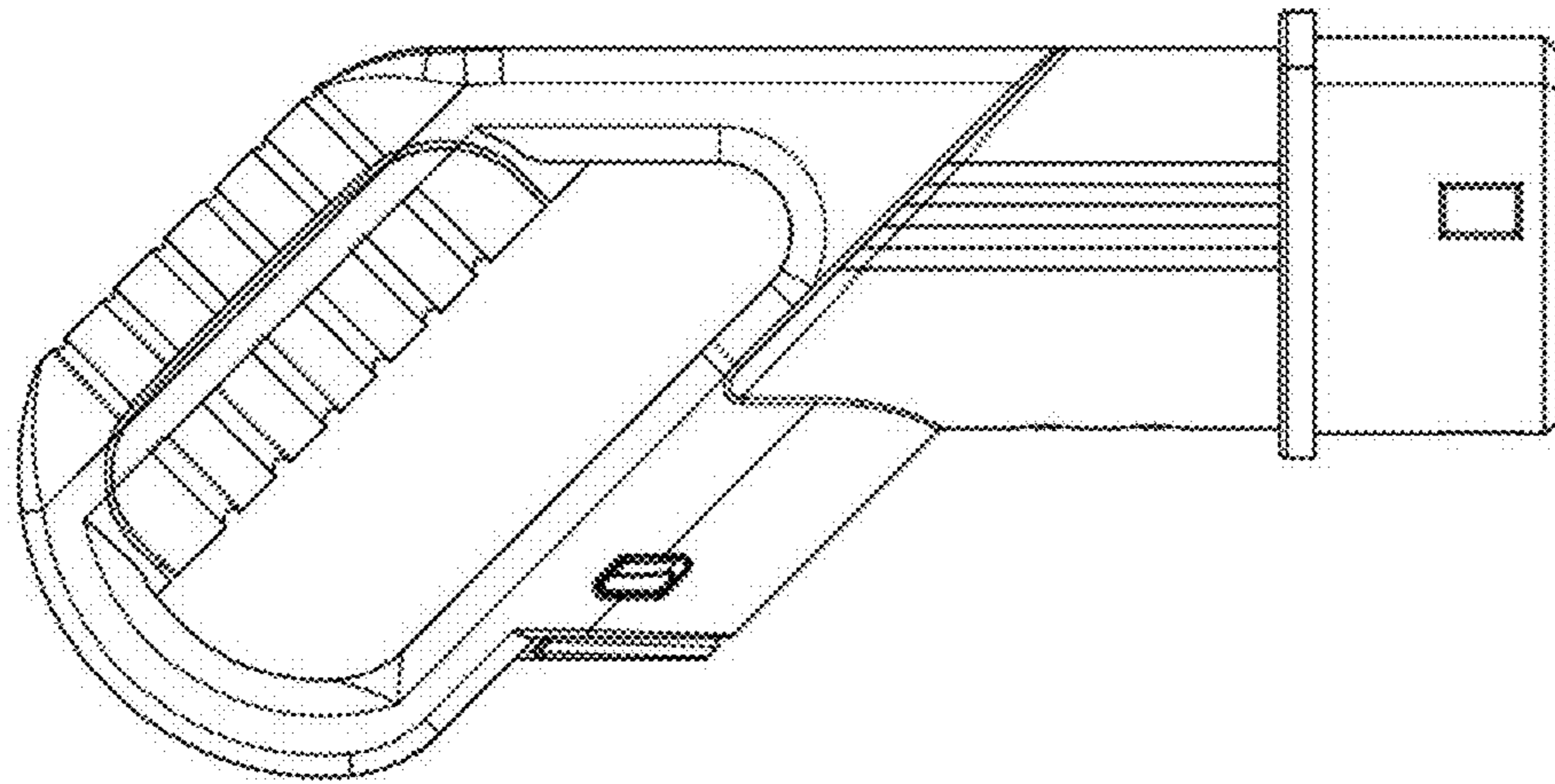


FIG. 2

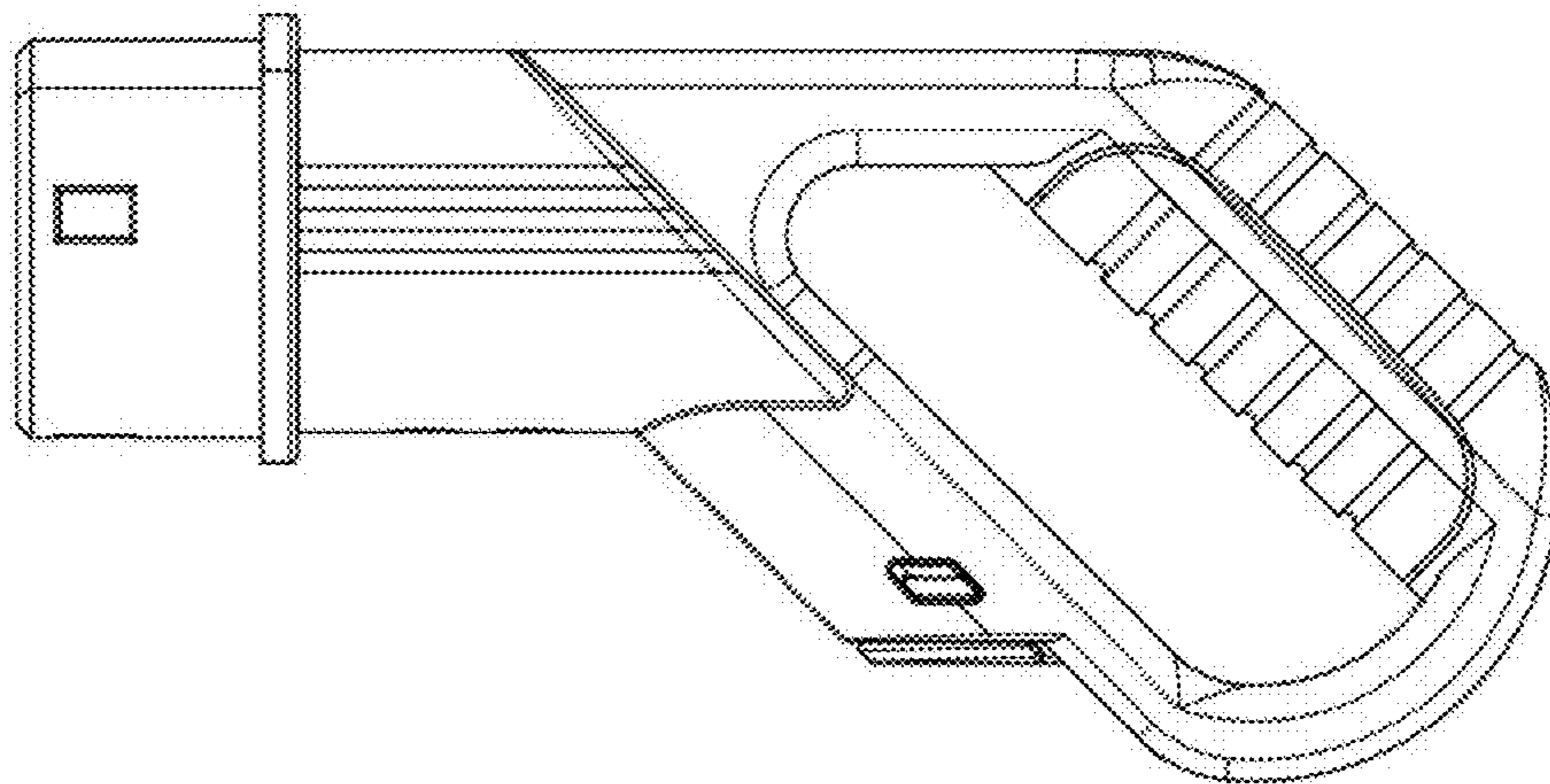


FIG. 3

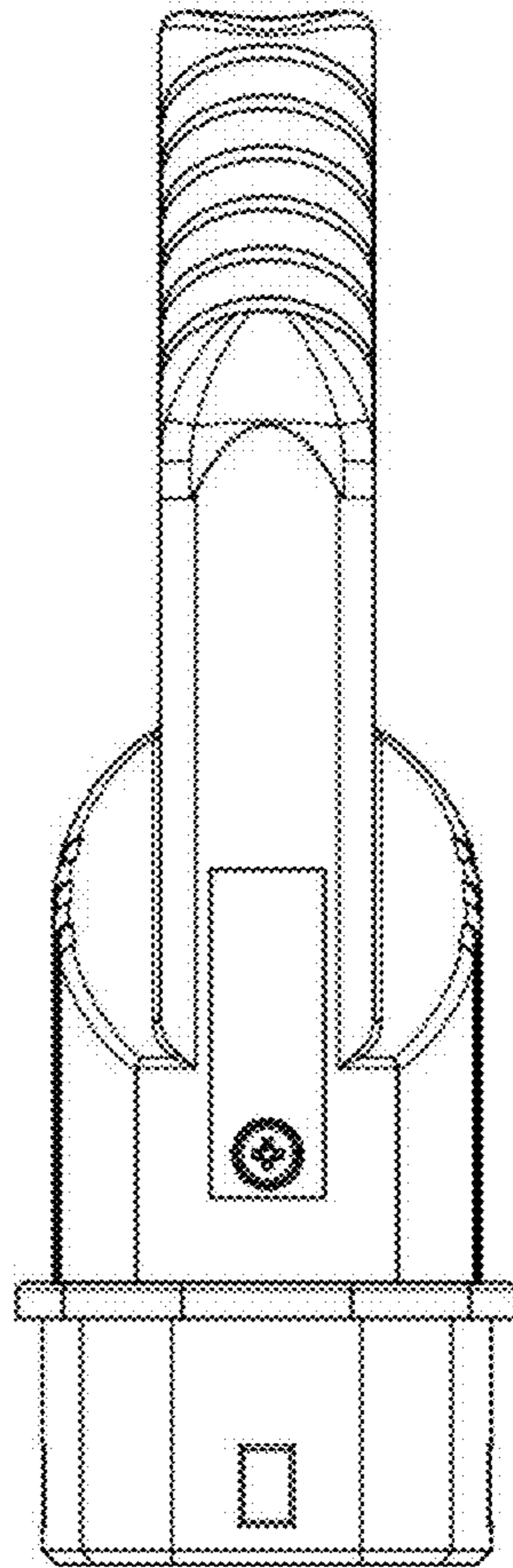


FIG. 4

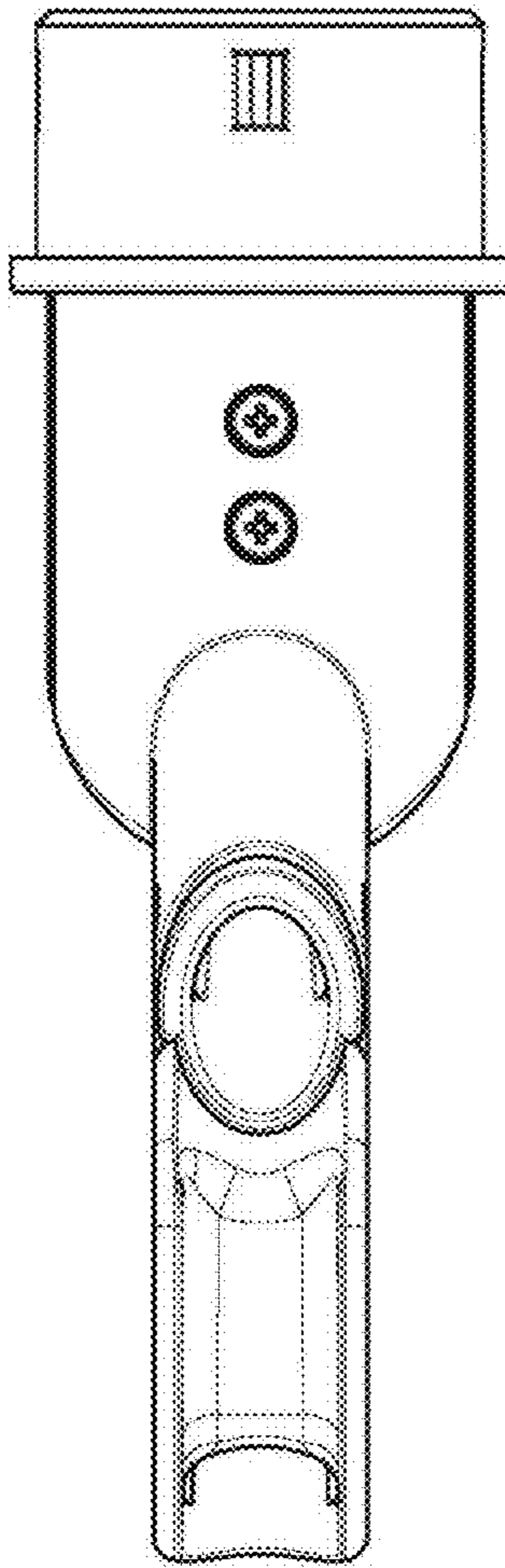


FIG. 5

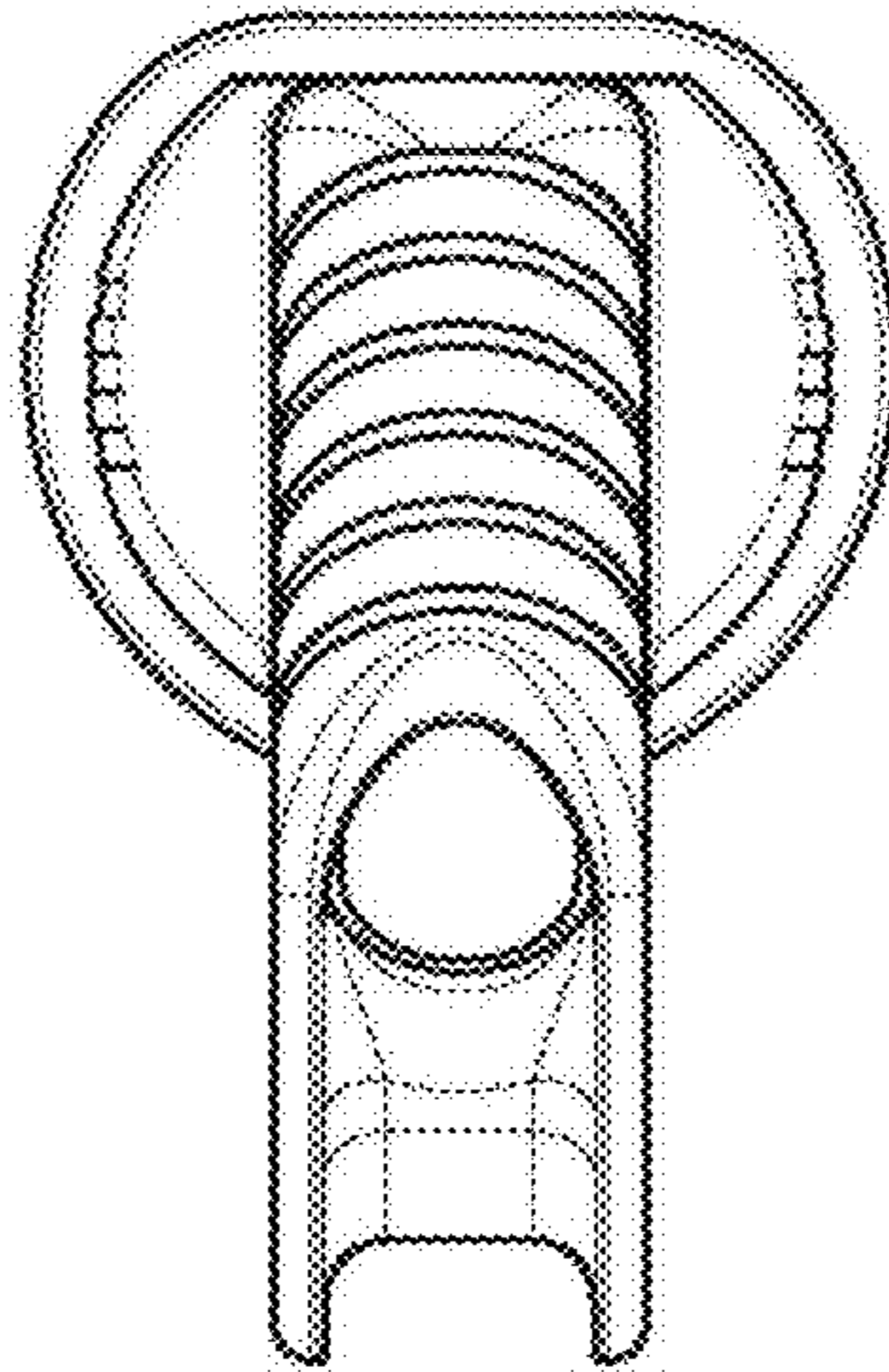


FIG. 6

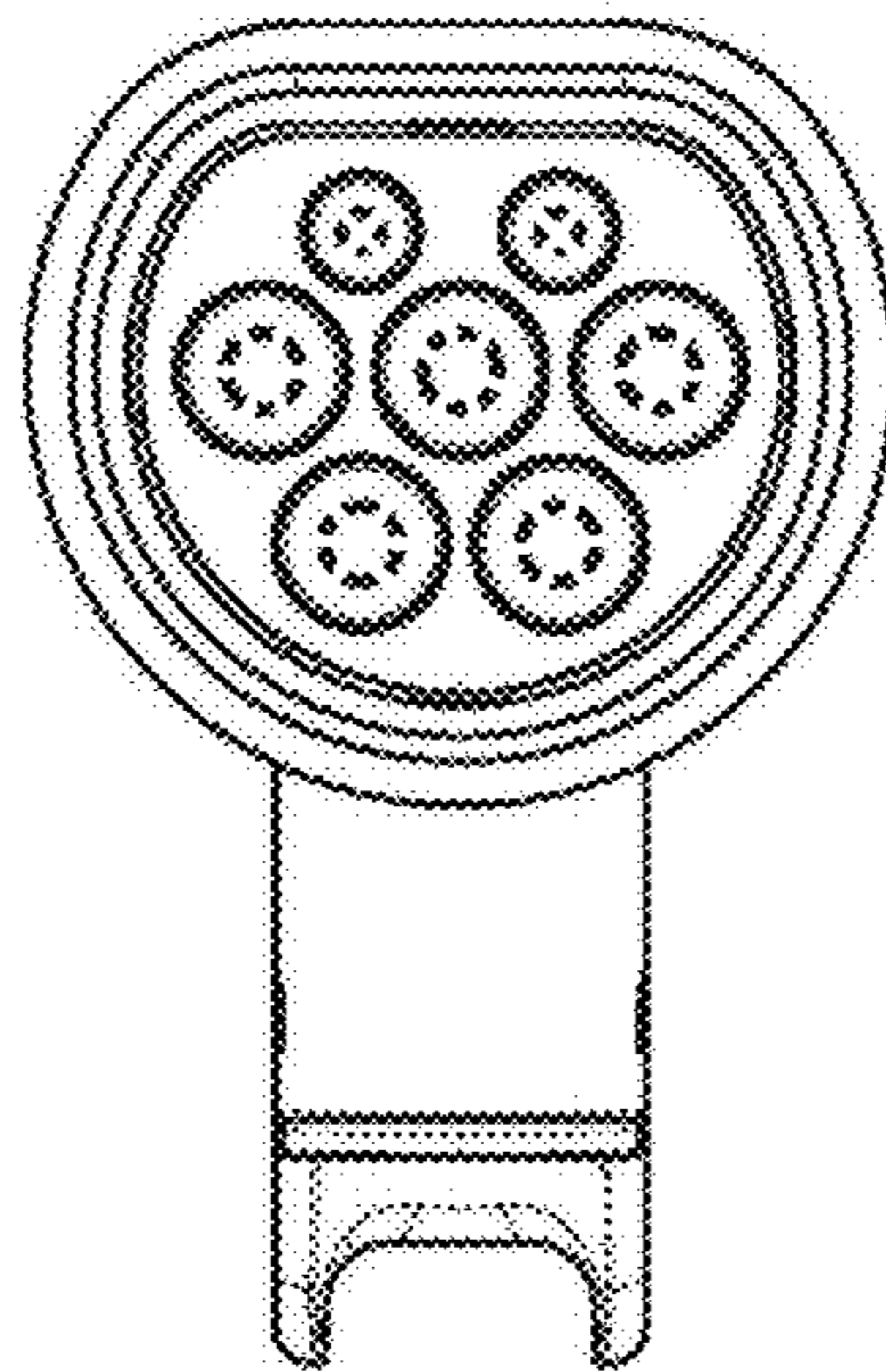


FIG. 7