



US00D713791S

(12) **United States Design Patent**
Fleetwood et al.

(10) **Patent No.:** **US D713,791 S**

(45) **Date of Patent:** **** Sep. 23, 2014**

(54) **WIRELESS NETWORK COORDINATOR**

D507,239 S * 7/2005 Shimojo D13/147
D550,627 S * 9/2007 Su et al. D13/147
D607,821 S * 1/2010 Fukano et al. D13/146

(75) Inventors: **Stephen W. Fleetwood**, Knoxville, TN (US); **Stephen Russ Berry**, Knoxville, TN (US); **John O'Brien Evans**, Knoxville, TN (US); **Michael Joseph Millius**, South Elgin, IL (US)

* cited by examiner

Primary Examiner — Thomas Johannes

Assistant Examiner — Khawaja Anwar

(73) Assignee: **Thermo King Corporation**, Minneapolis, MN (US)

(74) *Attorney, Agent, or Firm* — Hamre, Schumann, Mueller & Larson, P.C.

(**) Term: **14 Years**

(57) **CLAIM**

The ornamental design for a wireless network coordinator, as shown and described.

(21) Appl. No.: **29/416,399**

DESCRIPTION

(22) Filed: **Mar. 21, 2012**

(51) **LOC (10) Cl.** **13-03**

(52) **U.S. Cl.**
USPC **D13/146**

(58) **Field of Classification Search**
USPC D13/146, 147, 154, 184, 199; D14/217, D14/233, 256; 439/49, 180, 246, 278, 378, 439/379, 381, 527, 529, 533, 892, 894
See application file for complete search history.

FIG. 1 is a front perspective view of a wireless network coordinator showing our new design; FIG. 2 is a front elevational view thereof; FIG. 3 is a rear elevational view thereof; FIG. 4 is a bottom side elevational view thereof; FIG. 5 is a top side elevational view thereof; FIG. 6 is a right elevational view thereof; and, FIG. 7 is a left elevational view thereof.

Surface shading in the FIGS. 1-7 is provided to show clearly the character and contour of all surfaces of any three-dimensional aspects of the design.

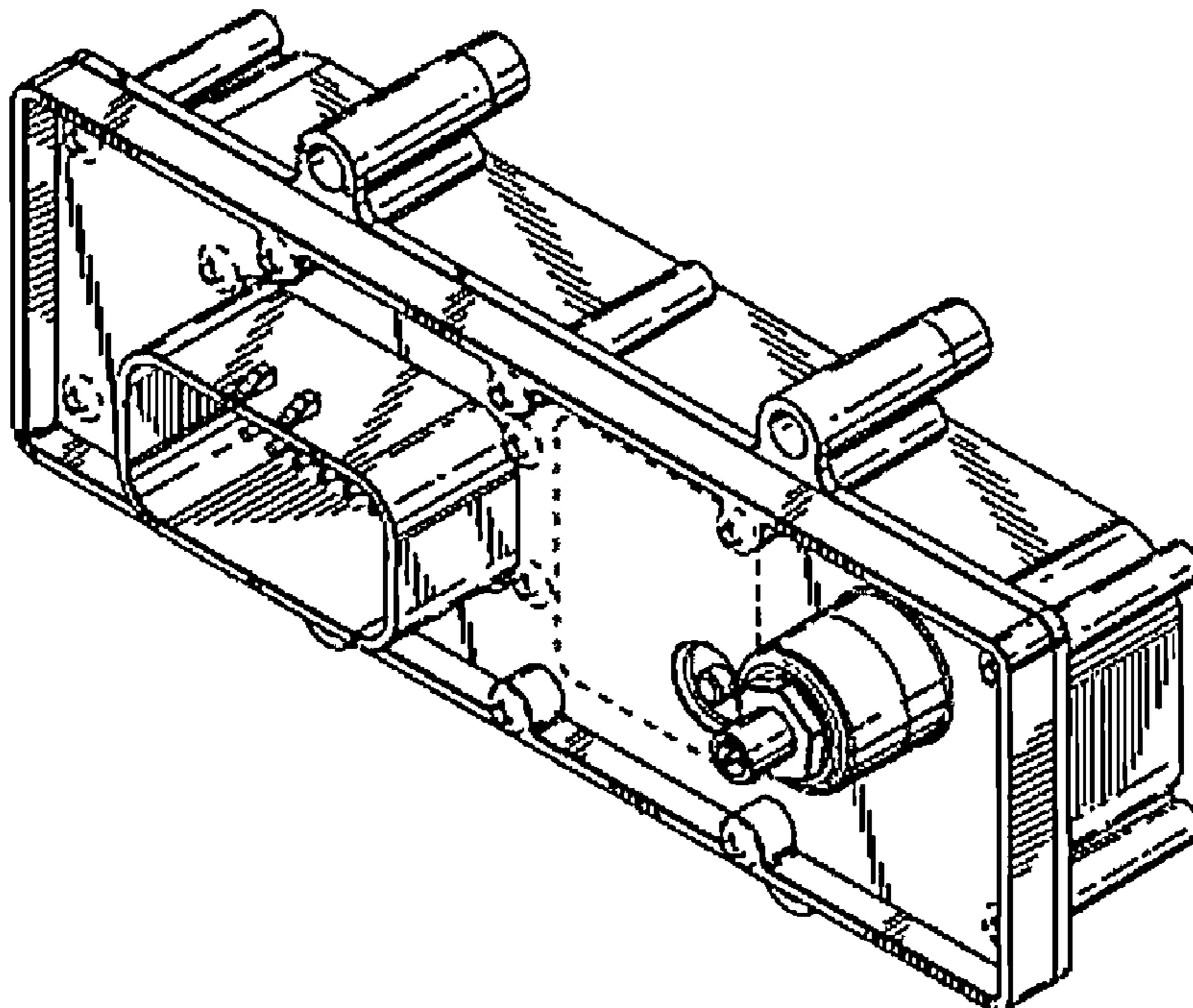
The broken lines shown in the FIGS. 1-7 are for illustrative purposes only and forms no part of the claimed design.

(56) **References Cited**

U.S. PATENT DOCUMENTS

D420,978 S * 2/2000 Chang D13/146
D498,463 S * 11/2004 Lin et al. D13/147
D500,014 S * 12/2004 Lin D13/147

1 Claim, 7 Drawing Sheets



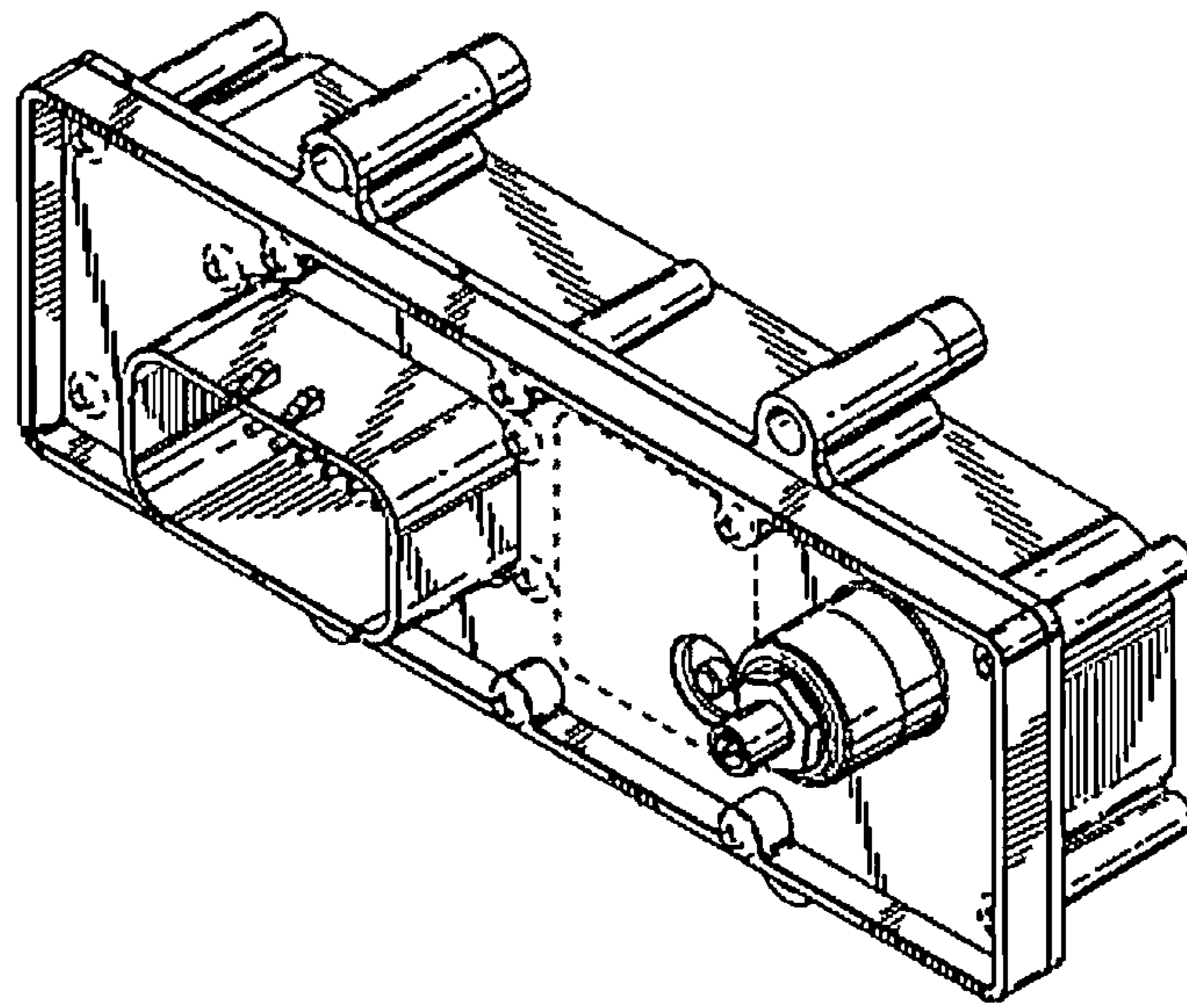


Fig. 1

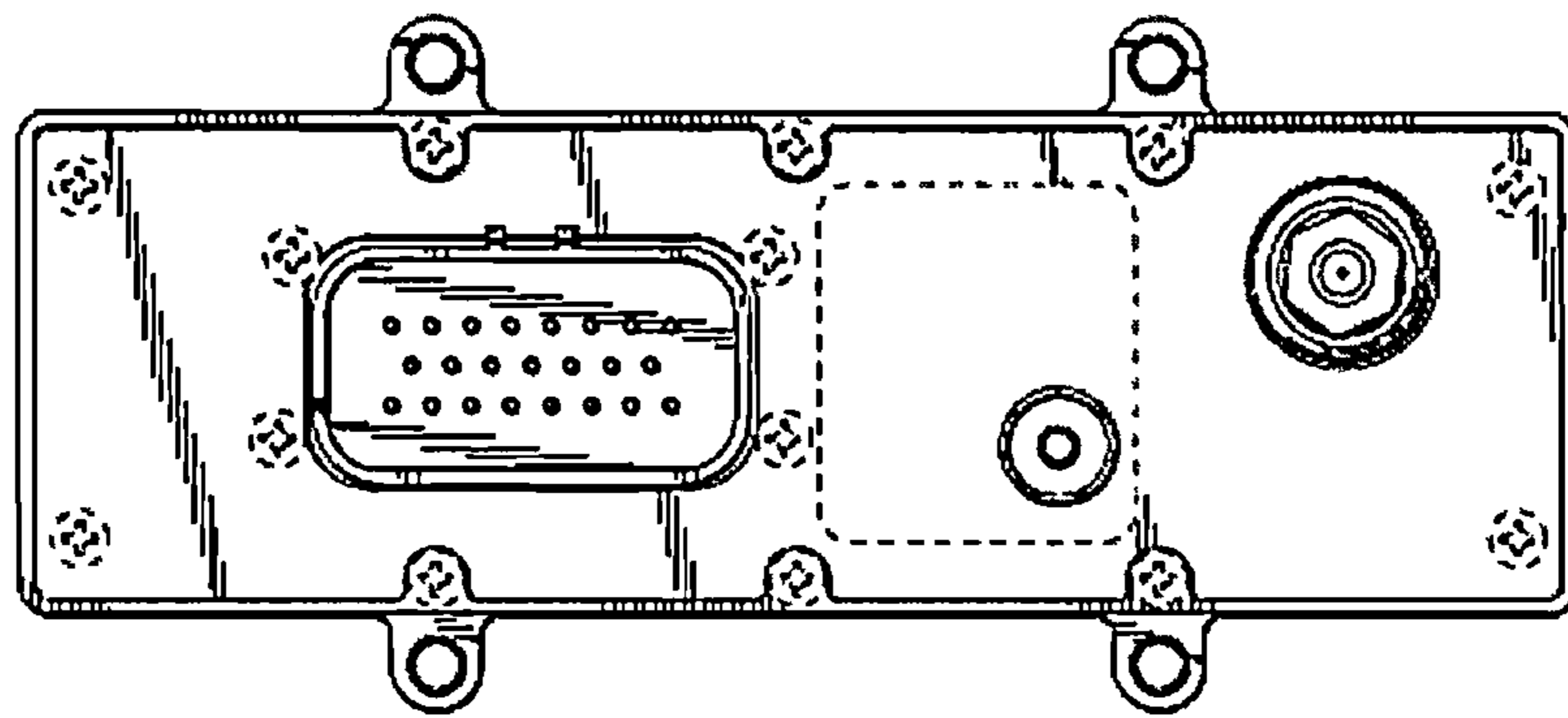


Fig. 2

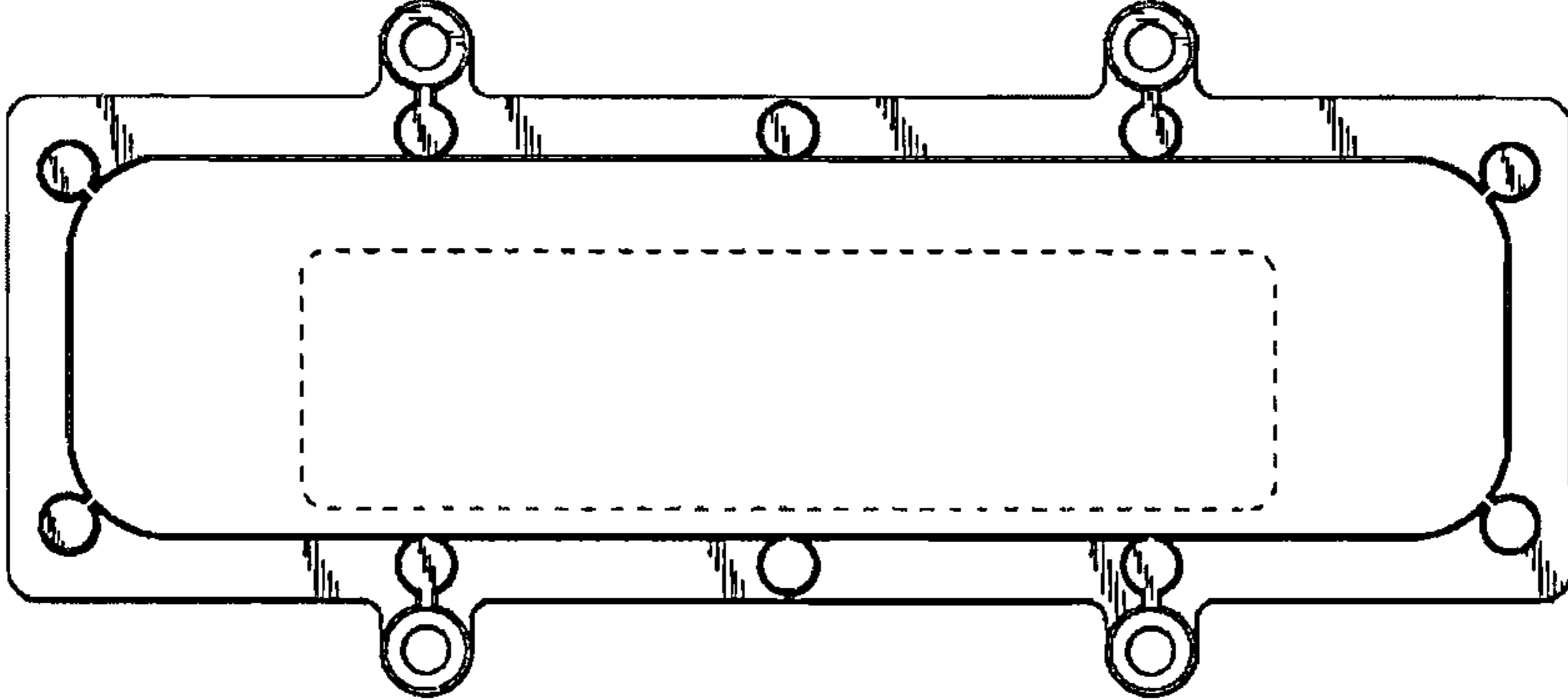


Fig. 3

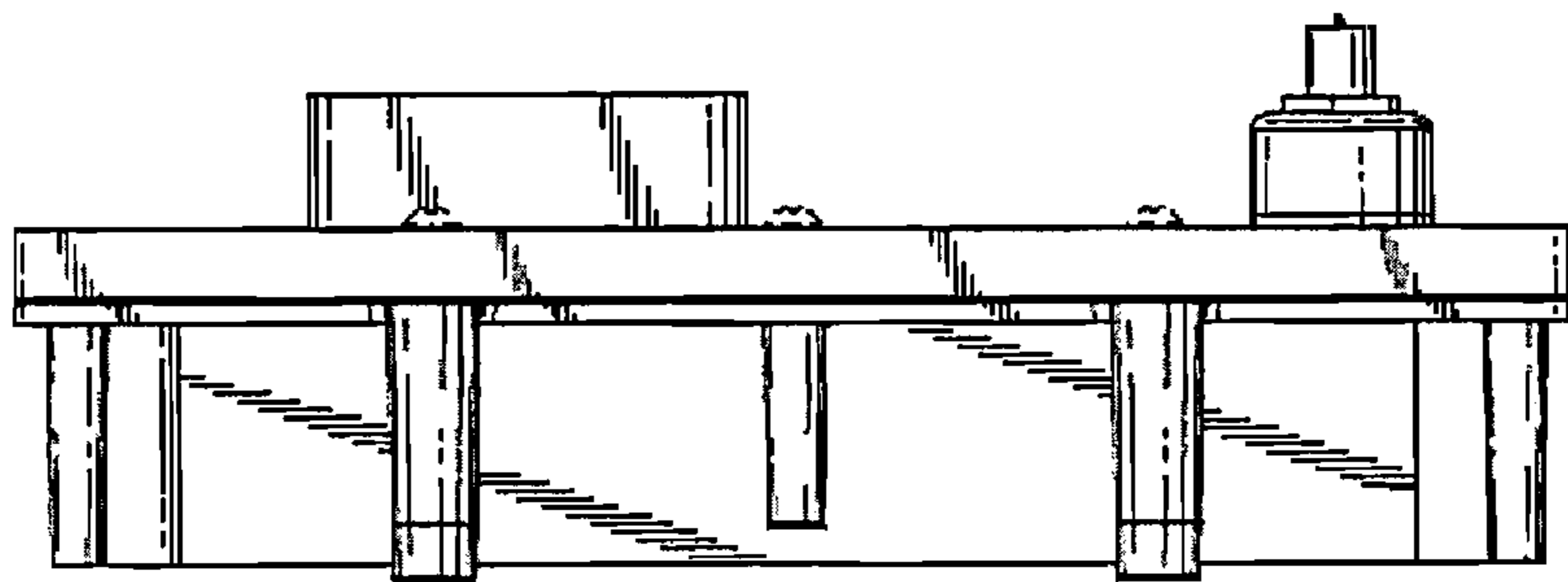


Fig. 4

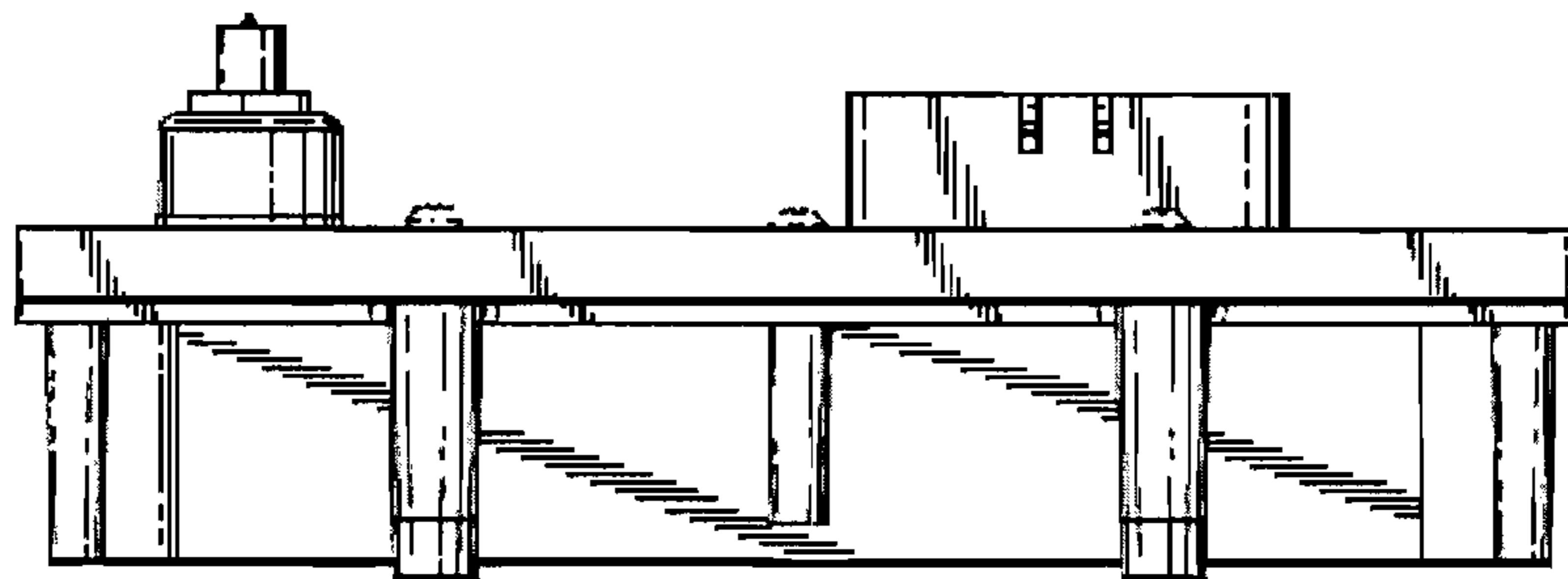


Fig. 5

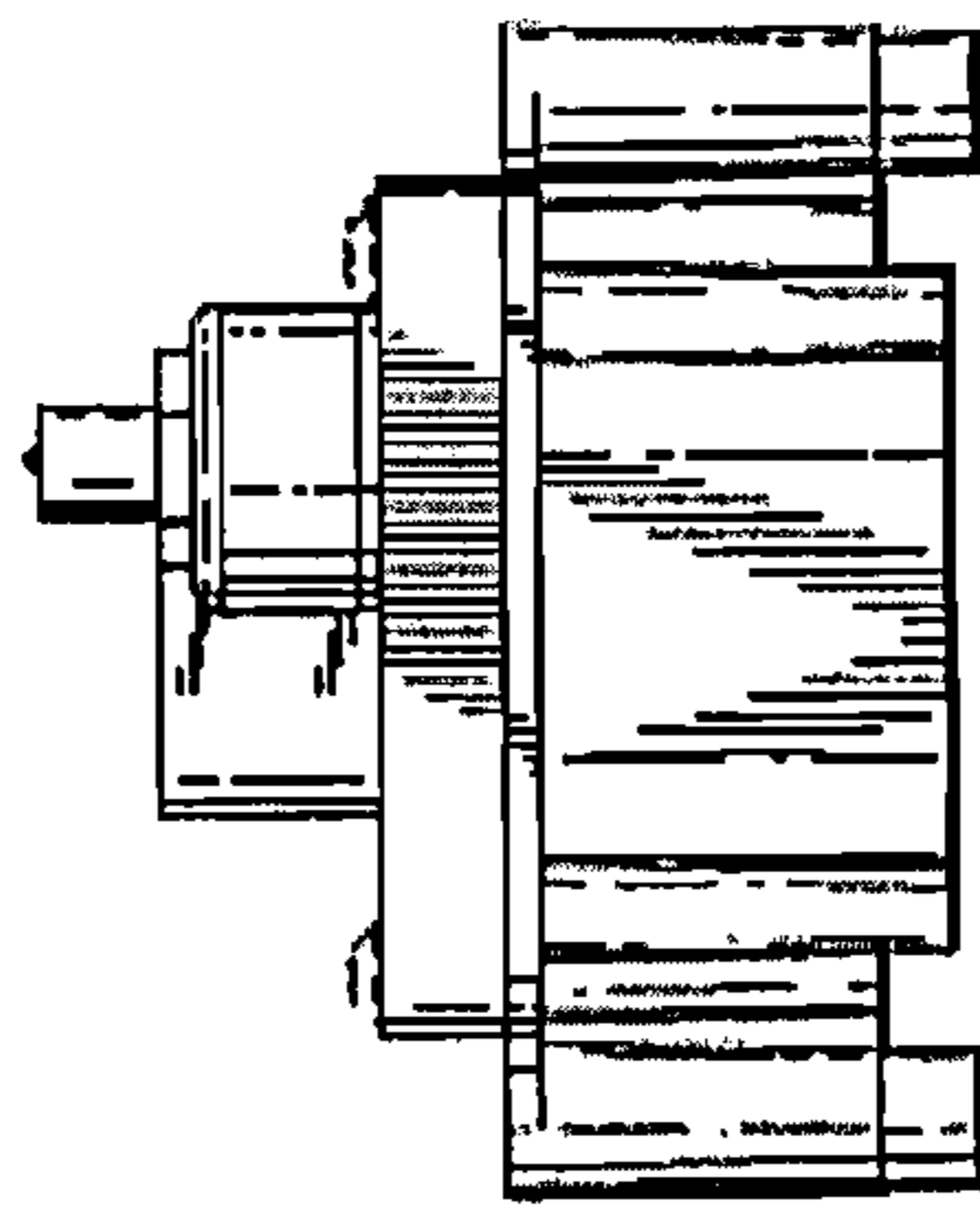


Fig. 6

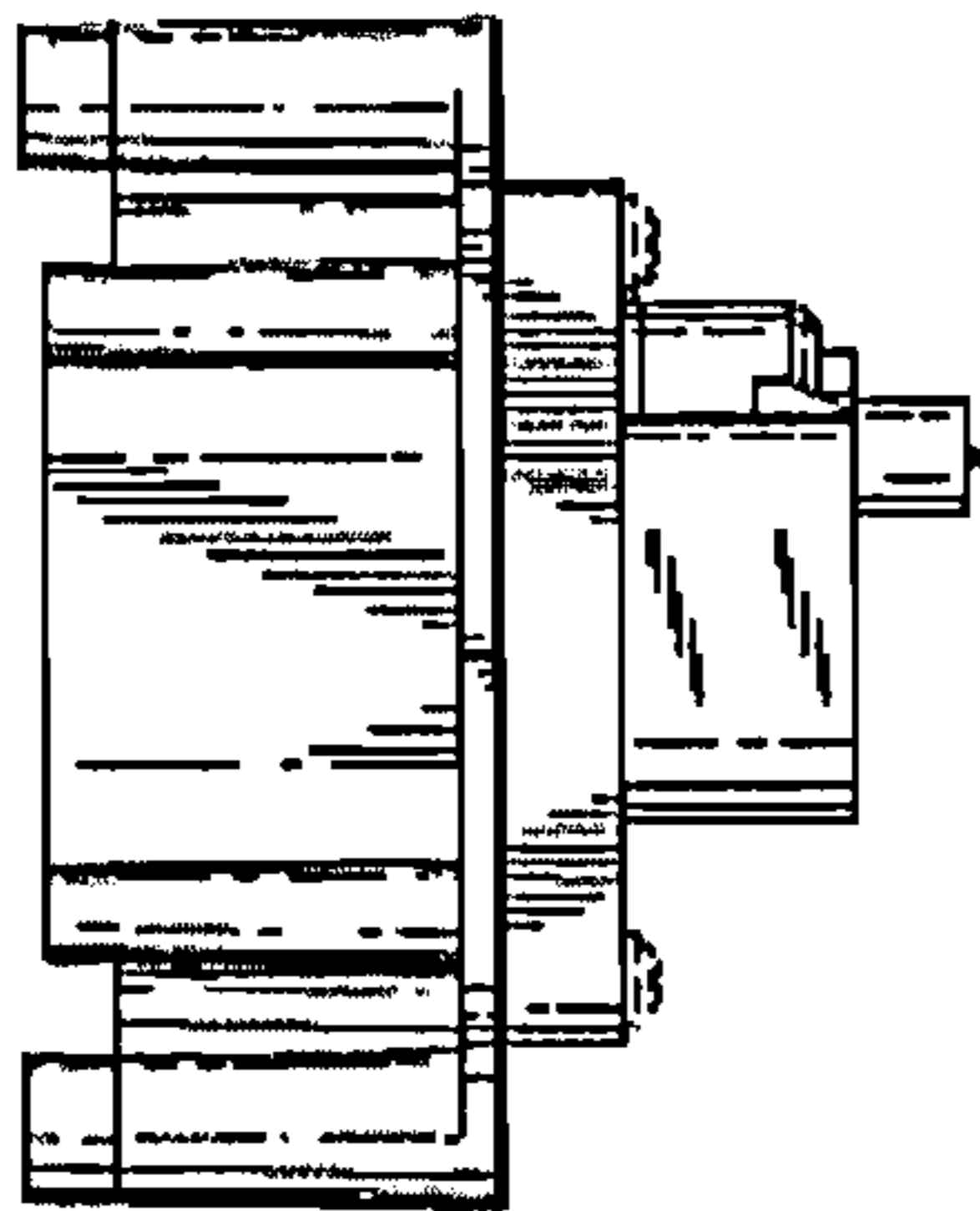


Fig. 7