



US00D713790S

(12) **United States Design Patent**
Greig et al.

(10) **Patent No.:** **US D713,790 S**

(45) **Date of Patent:** **** Sep. 23, 2014**

(54) **PLUG AND JACK SYSTEM FOR A
MAGNETIC AUDIO CONNECTOR**

D456,358 S * 4/2002 Niklander et al. D13/146
(Continued)

(71) Applicant: **Phitek Systems Limited**, Auckland
(NZ)

OTHER PUBLICATIONS

(72) Inventors: **Nigel Greig**, Auckland (NZ); **Edward
Scholton**, Auckland (NZ); **William
James Sim**, Auckland (NZ)

U.S. Appl. No. 29/432,802, filed Sep. 20, 2012 Sep. 20, 2012.

(Continued)

(73) Assignee: **Phitek Systems Limited**, Auckland
(NZ)

Primary Examiner — Thomas Johannes

(74) *Attorney, Agent, or Firm* — Jackson Walker, LLP

(**) Term: **14 Years**

(21) Appl. No.: **29/432,799**

(22) Filed: **Sep. 20, 2012**

(30) **Foreign Application Priority Data**

Mar. 20, 2012 (NZ) 416018
Mar. 20, 2012 (NZ) 416019
Mar. 20, 2012 (NZ) 416021
Mar. 20, 2012 (NZ) 416022

(51) **LOC (10) Cl.** **13-03**

(52) **U.S. Cl.**
USPC **D13/133**

(58) **Field of Classification Search**

CPC B64D 2011/0637; B64D 11/0015;
H01R 2201/26; H01R 11/30; H01R 12/714;
H01R 13/4368; H01R 13/514; H01R 13/516;
H01R 13/518; H01R 13/53; H01R 13/6205;
H01R 13/642; H01R 13/6456; H01R 13/6593;
H01R 13/7037; H01R 2105/00; H01R 31/06
USPC D13/133, 146, 147, 149, 151, 153, 154,
D13/156; 439/79, 248, 258, 274, 335, 352,
439/353, 358, 359, 362, 378, 445, 447, 578,
439/584, 585, 656, 666, 676, 677, 678, 679,
439/668, 681, 682, 686

See application file for complete search history.

(56) **References Cited**

U.S. PATENT DOCUMENTS

D454,542 S * 3/2002 Nakashima et al. D13/146

(57) **CLAIM**

The ornamental design for a plug and jack system for a magnetic audio connector, as shown and described.

DESCRIPTION

FIG. 1 is a perspective view from the front and one side of the jack component for our new design of a plug and jack system for a magnetic audio connector, the jack component being shown separately for illustrative clarity;

FIG. 2 is a perspective view from the rear and left side thereof; FIG. 3 is a perspective view from the rear and right side thereof;

FIG. 4 is a front elevational view thereof;

FIG. 5 is a left side elevational view;

FIG. 6 is a rear elevational view;

FIG. 7 is a perspective view from the front and one side of the plug component for our new design of a plug and jack system for a magnetic audio connector, the plug component being shown separately for illustrative clarity;

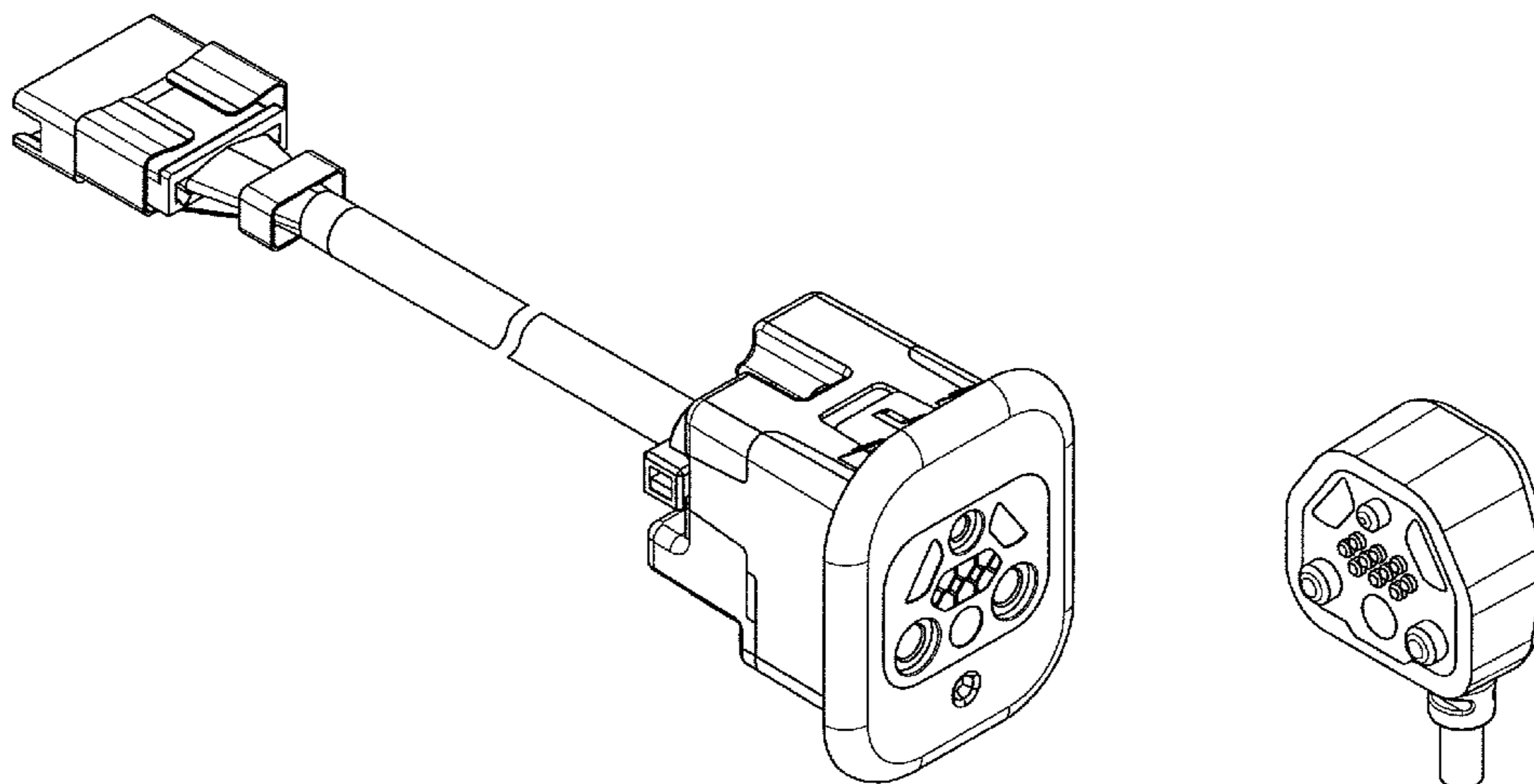
FIG. 8 is a front elevational view thereof;

FIG. 9 is a left side elevational view thereof, the left and right side elevational views being the same; and,

FIG. 10 is an exploded perspective view of our new design of a plug and jack system for a magnetic audio connector.

The broken line portion of the figure drawings is included to show unclaimed subject matter only and forms no part of the claimed design.

1 Claim, 7 Drawing Sheets



(56)

References Cited

U.S. PATENT DOCUMENTS

D604,697 S * 11/2009 Sogo et al. D13/133
D609,184 S * 2/2010 Liu D13/147
D616,826 S * 6/2010 Ebihara D13/147
D622,220 S * 8/2010 Huang et al. D13/147
D627,730 S * 11/2010 Huang et al. D13/146
D643,815 S * 8/2011 Mark et al. D13/133

2011/0003505 A1* 1/2011 Greig et al. 439/540.1
2011/0124218 A1* 5/2011 Huang 439/374
2011/0201228 A1* 8/2011 Schumacher et al. 439/374
2012/0315771 A1* 12/2012 Greig et al. 439/39

OTHER PUBLICATIONS

U.S. Appl. No. 29/432,801, filed Sep. 20, 2012 Sep. 20, 2012.
U.S. Appl. No. 13/847,268, filed Mar. 19, 2013 Mar. 19, 2013.

* cited by examiner

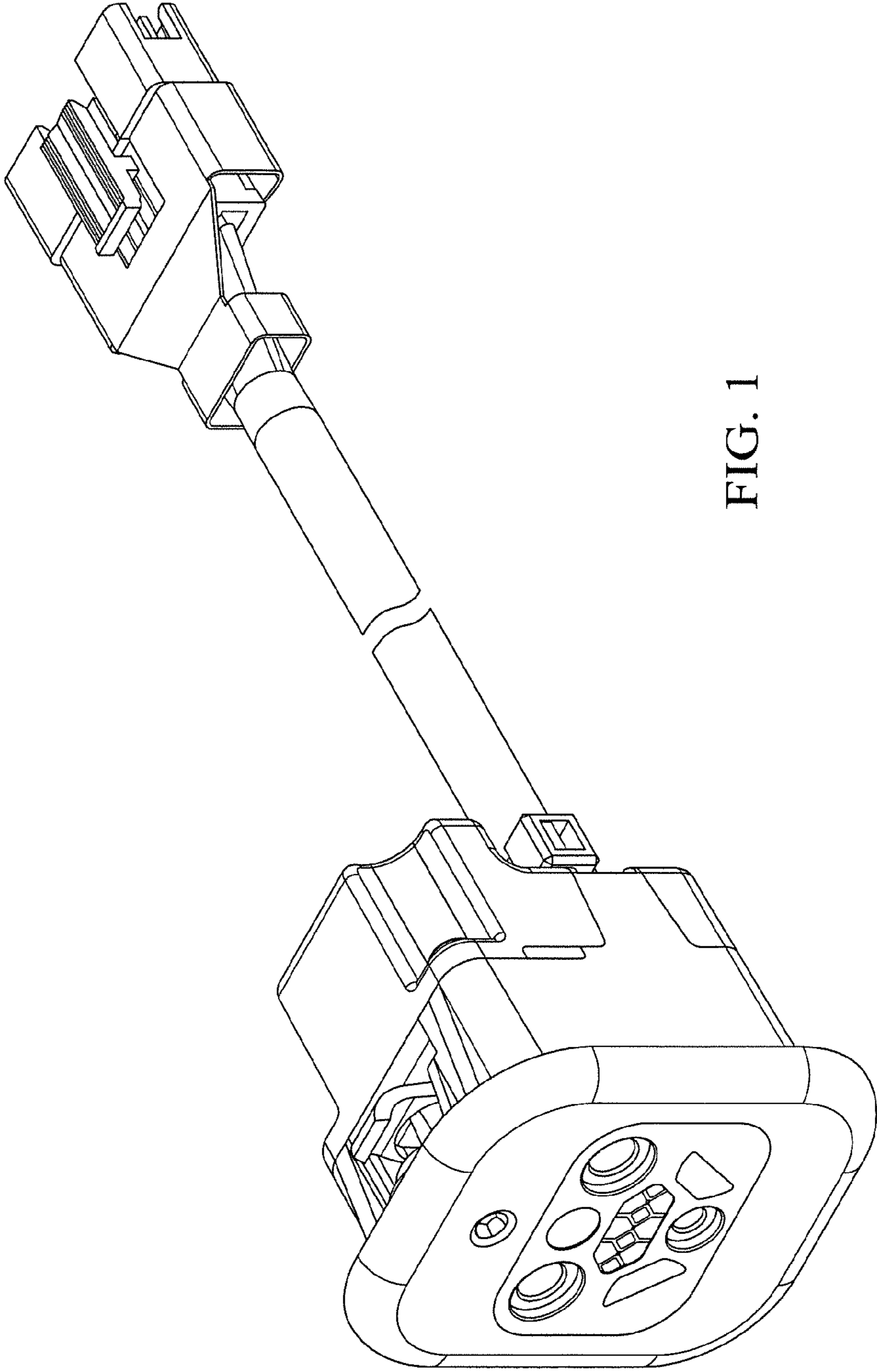


FIG. 1

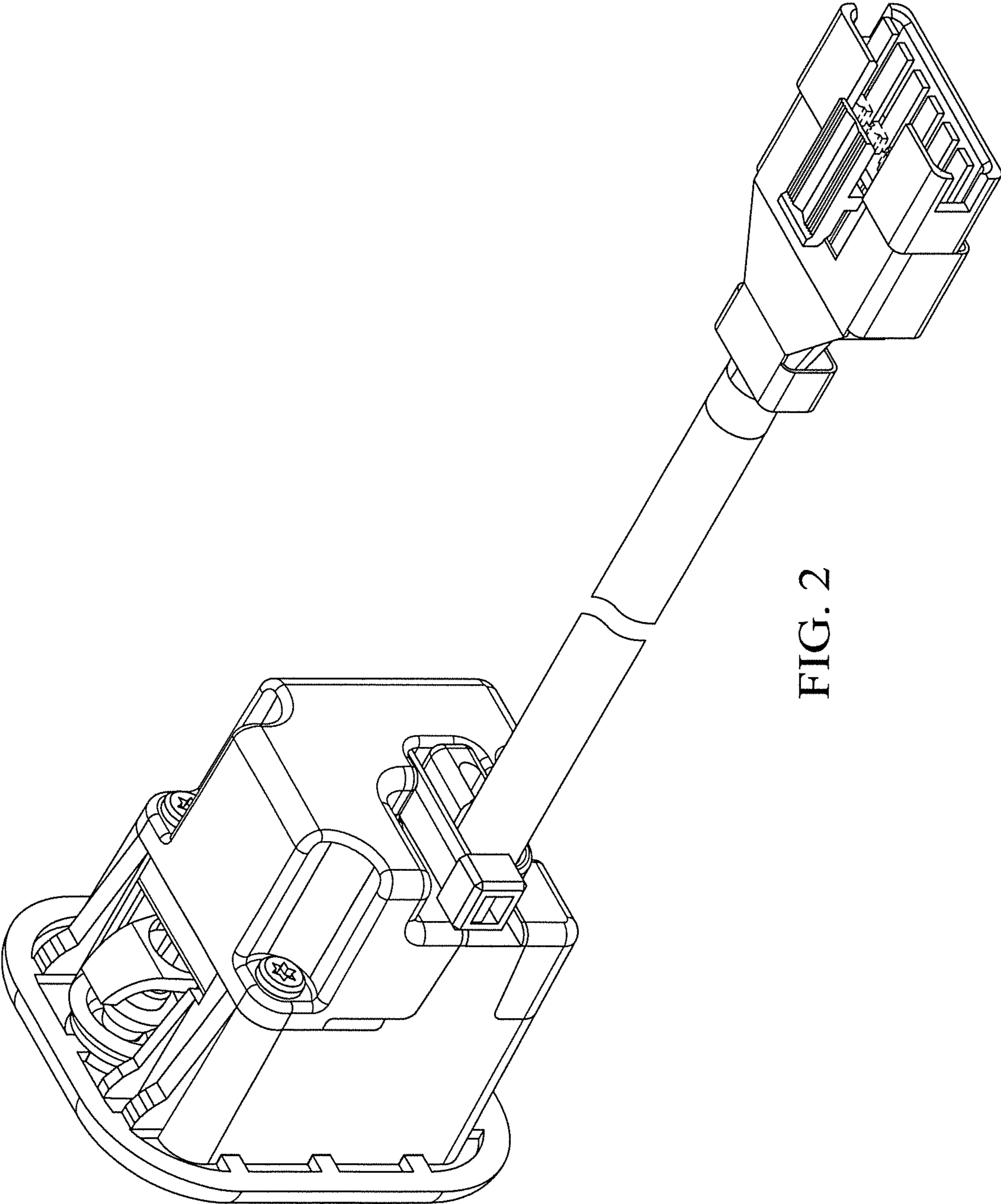


FIG. 2

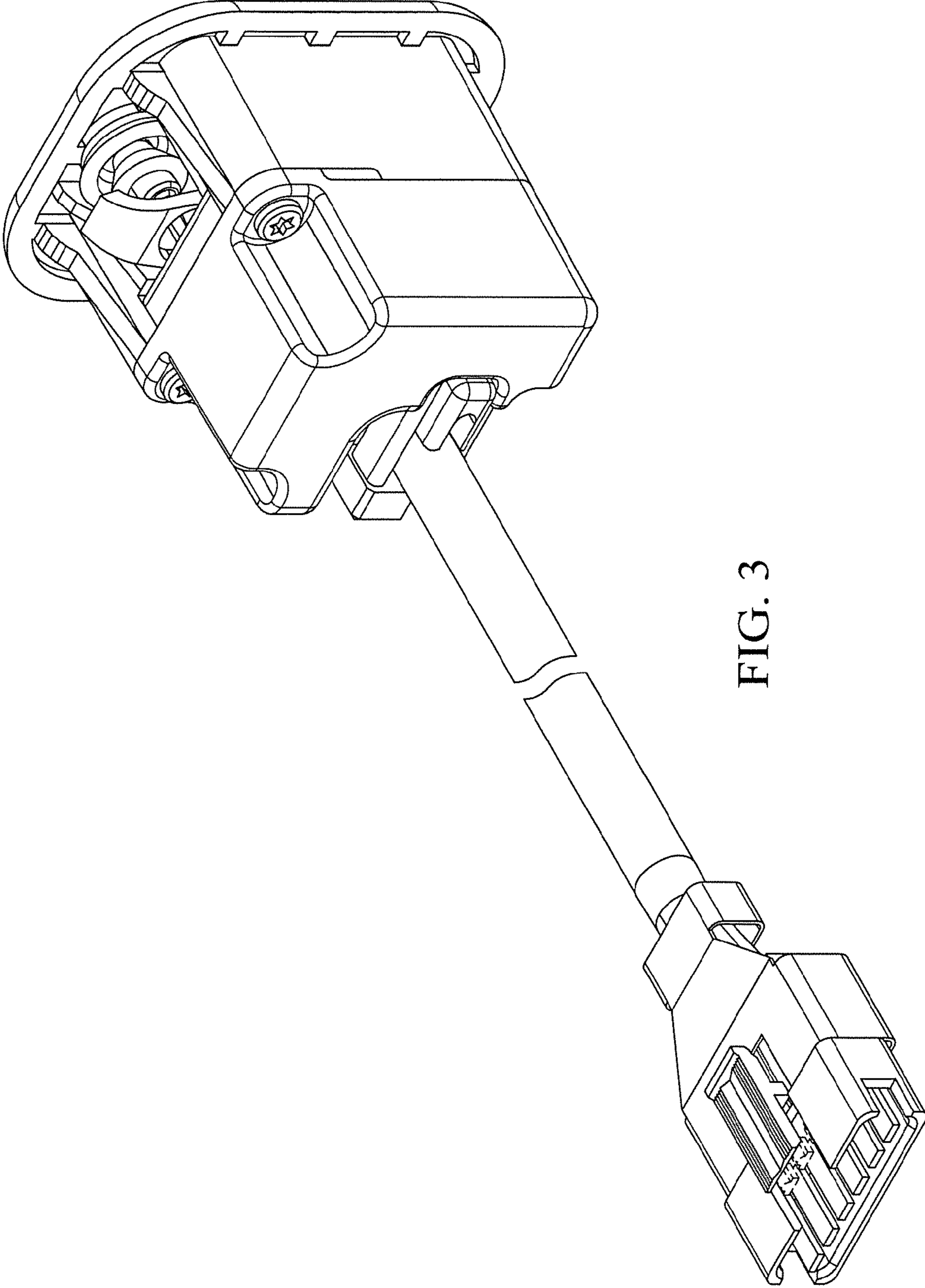


FIG. 3

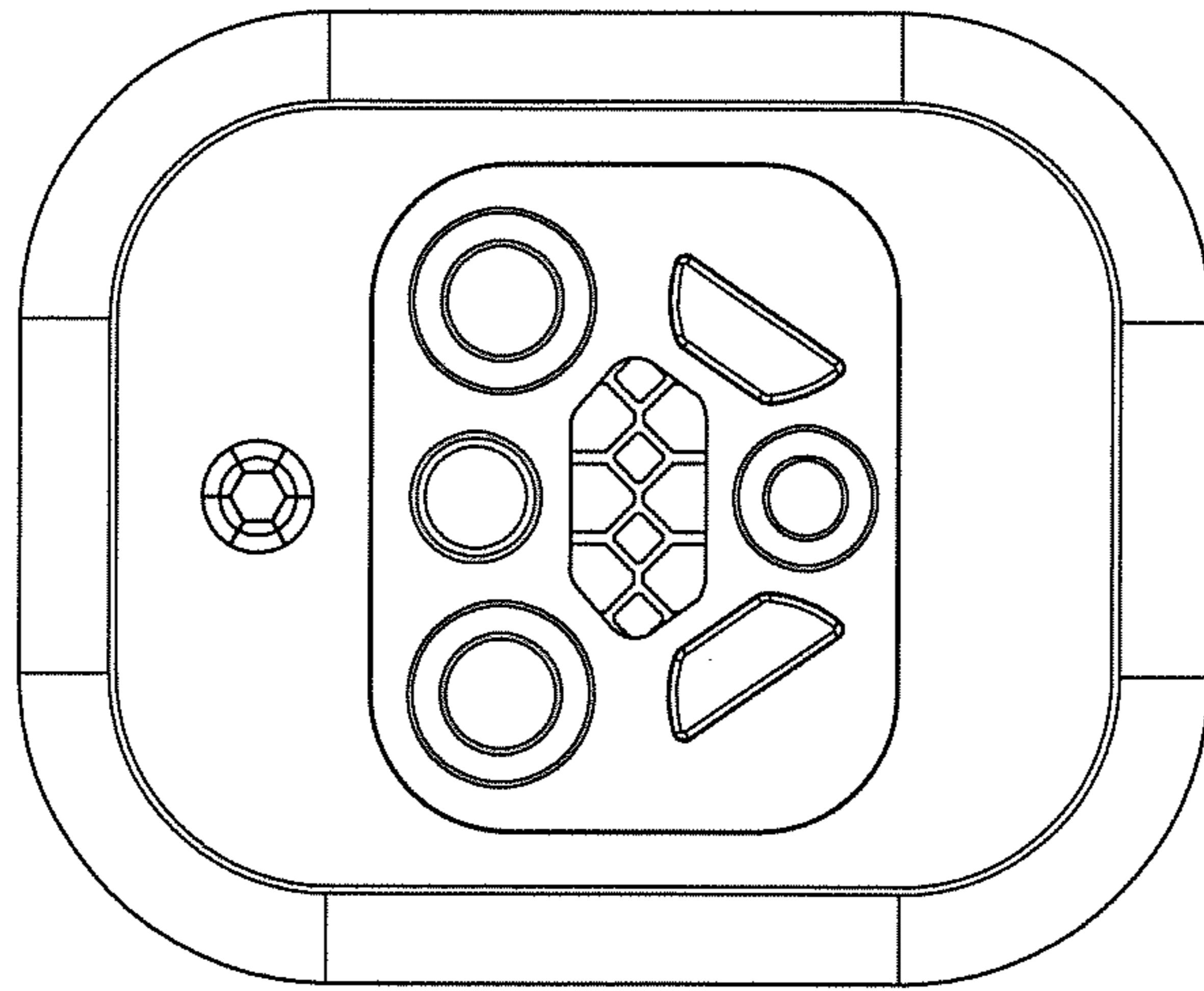


FIG. 4

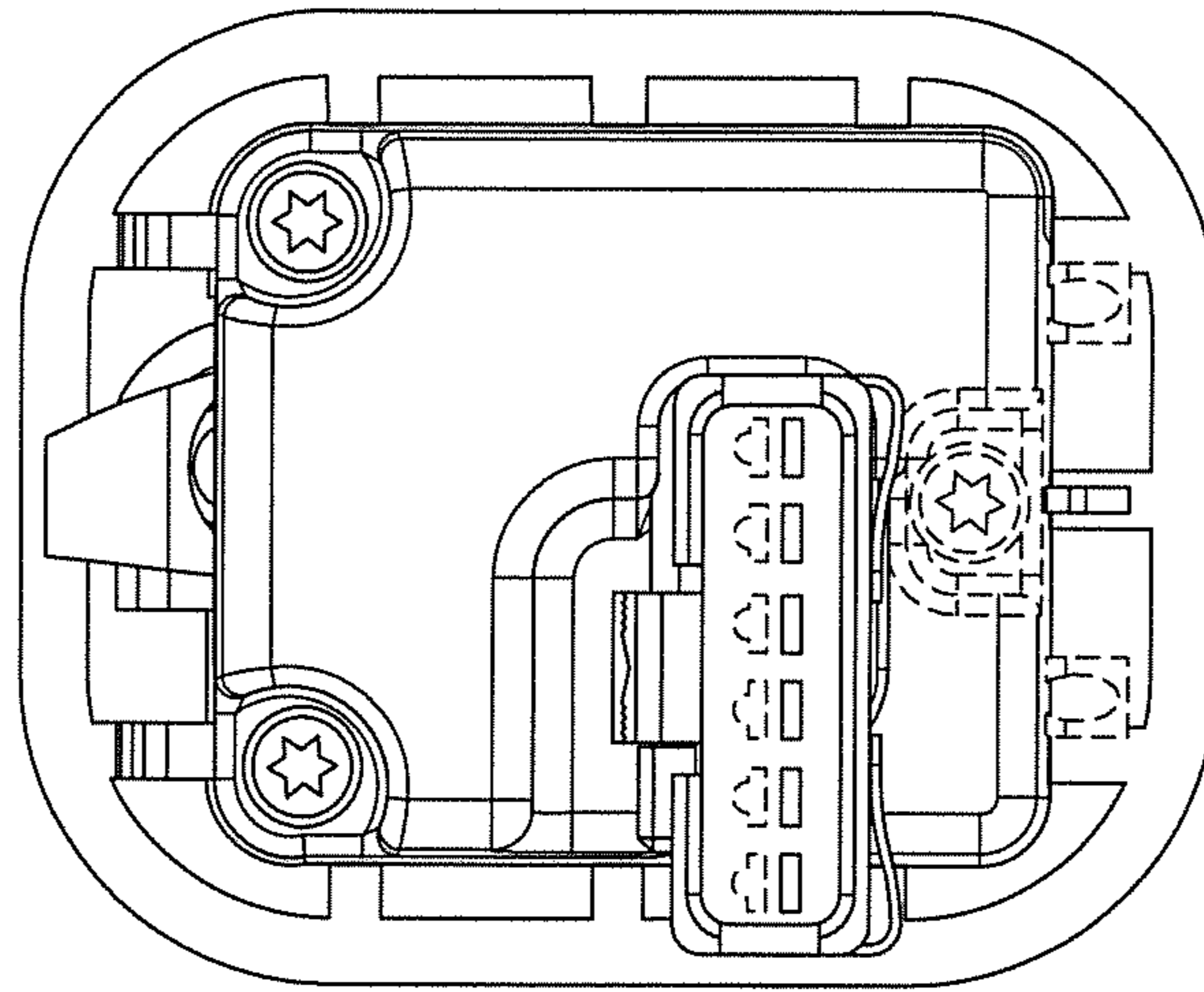


FIG. 6

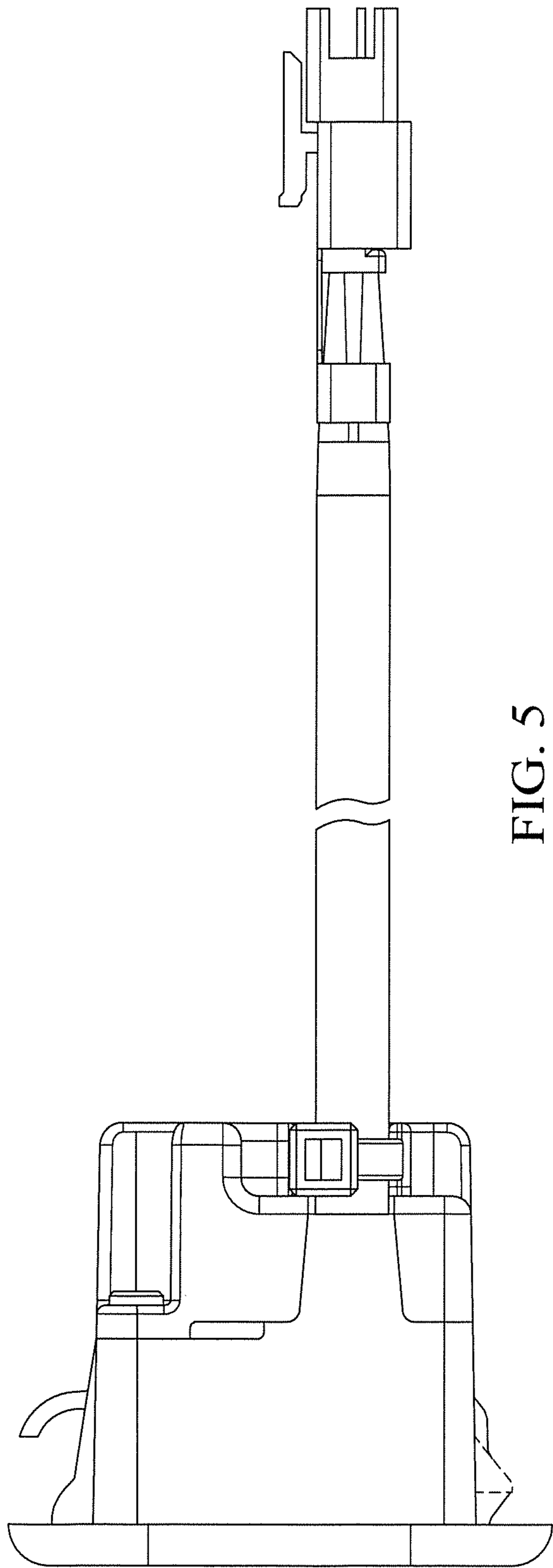


FIG. 5

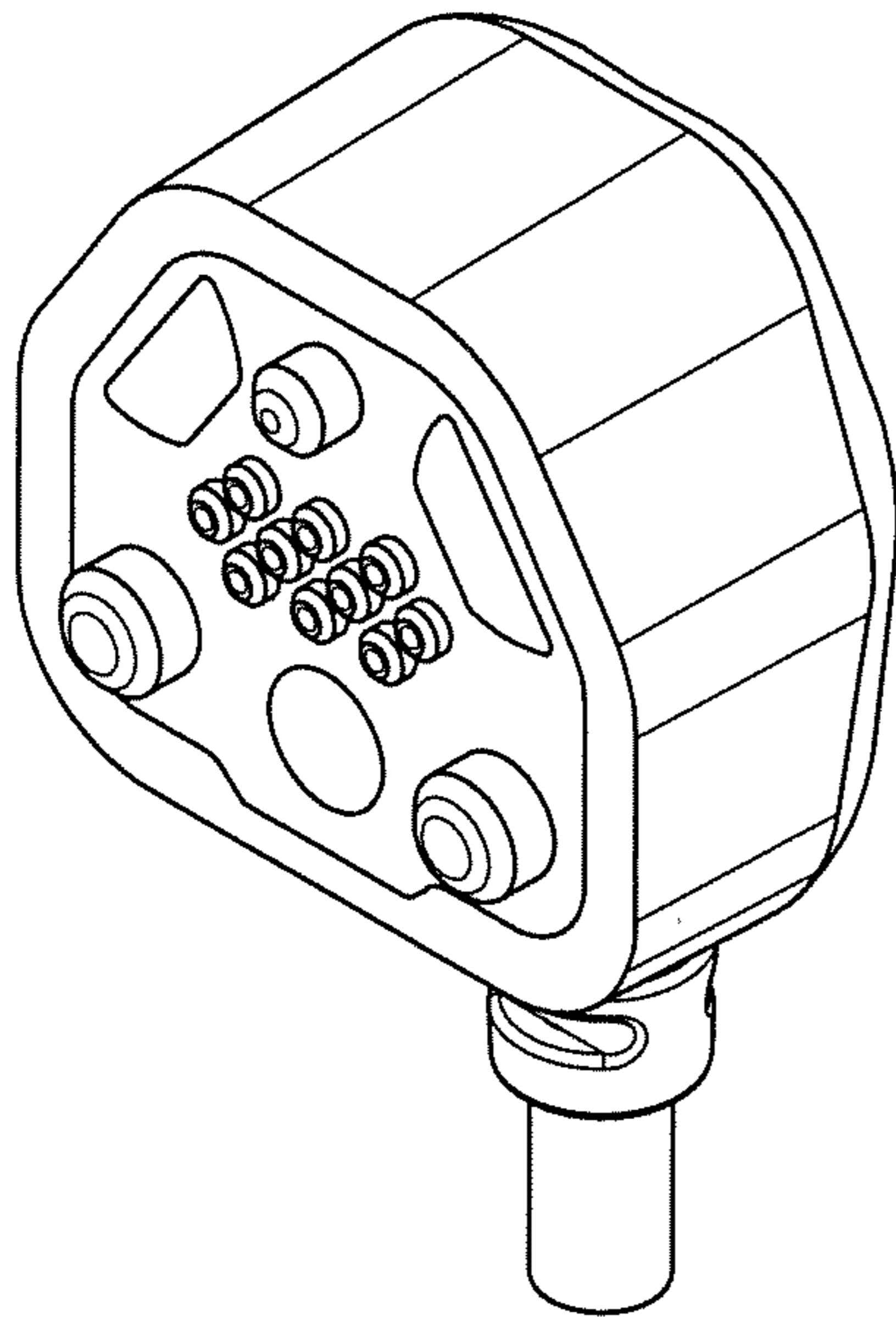


FIG. 7

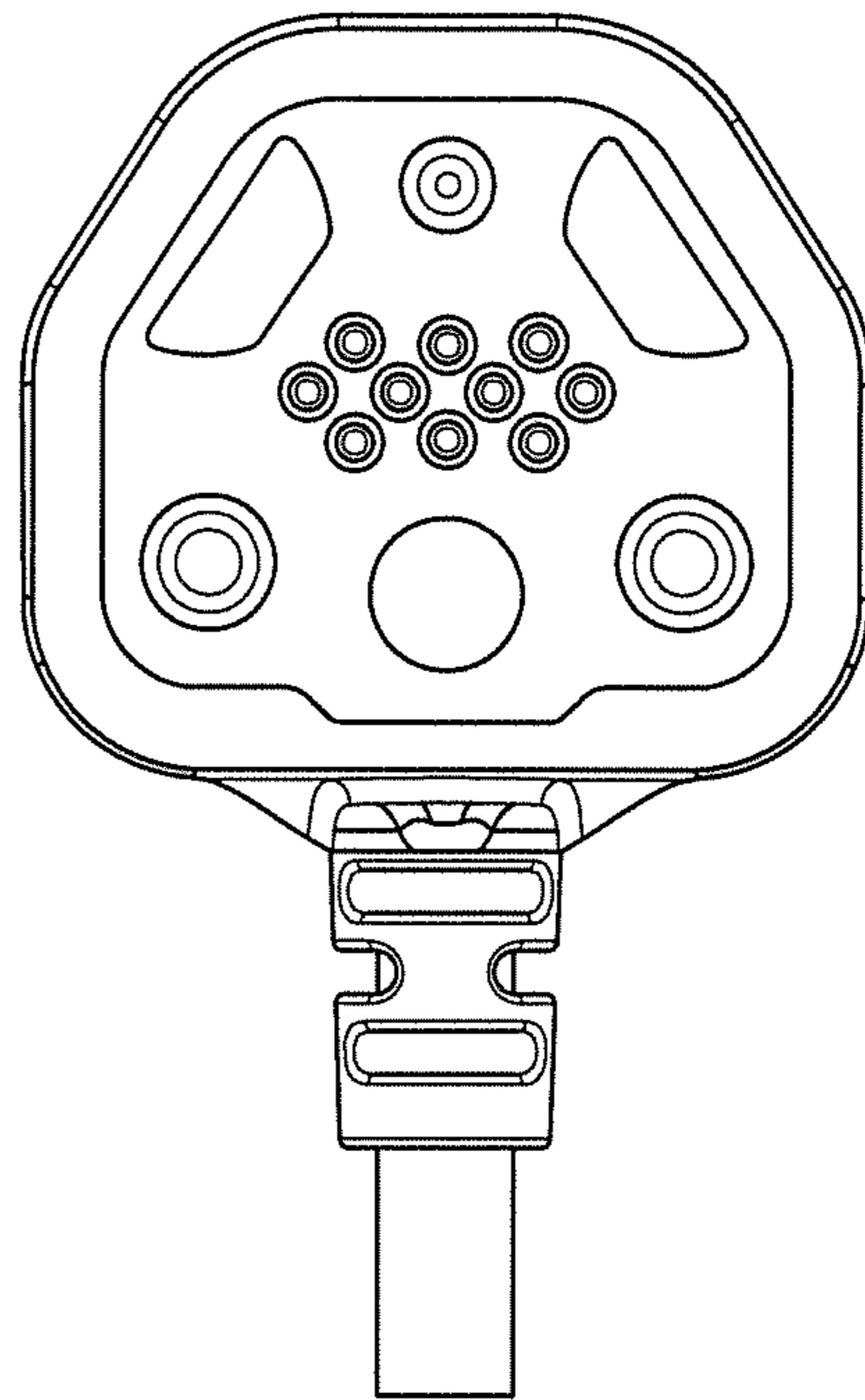


FIG. 8

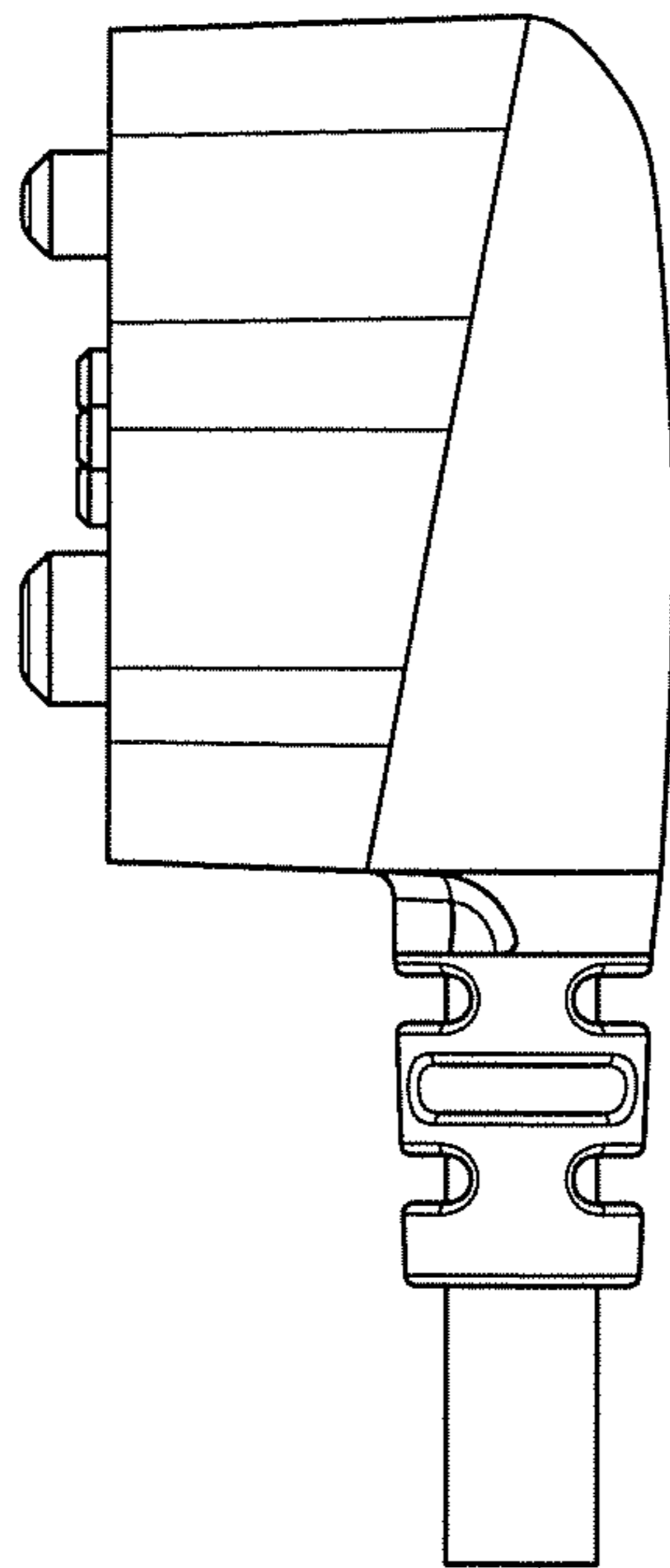


FIG. 9

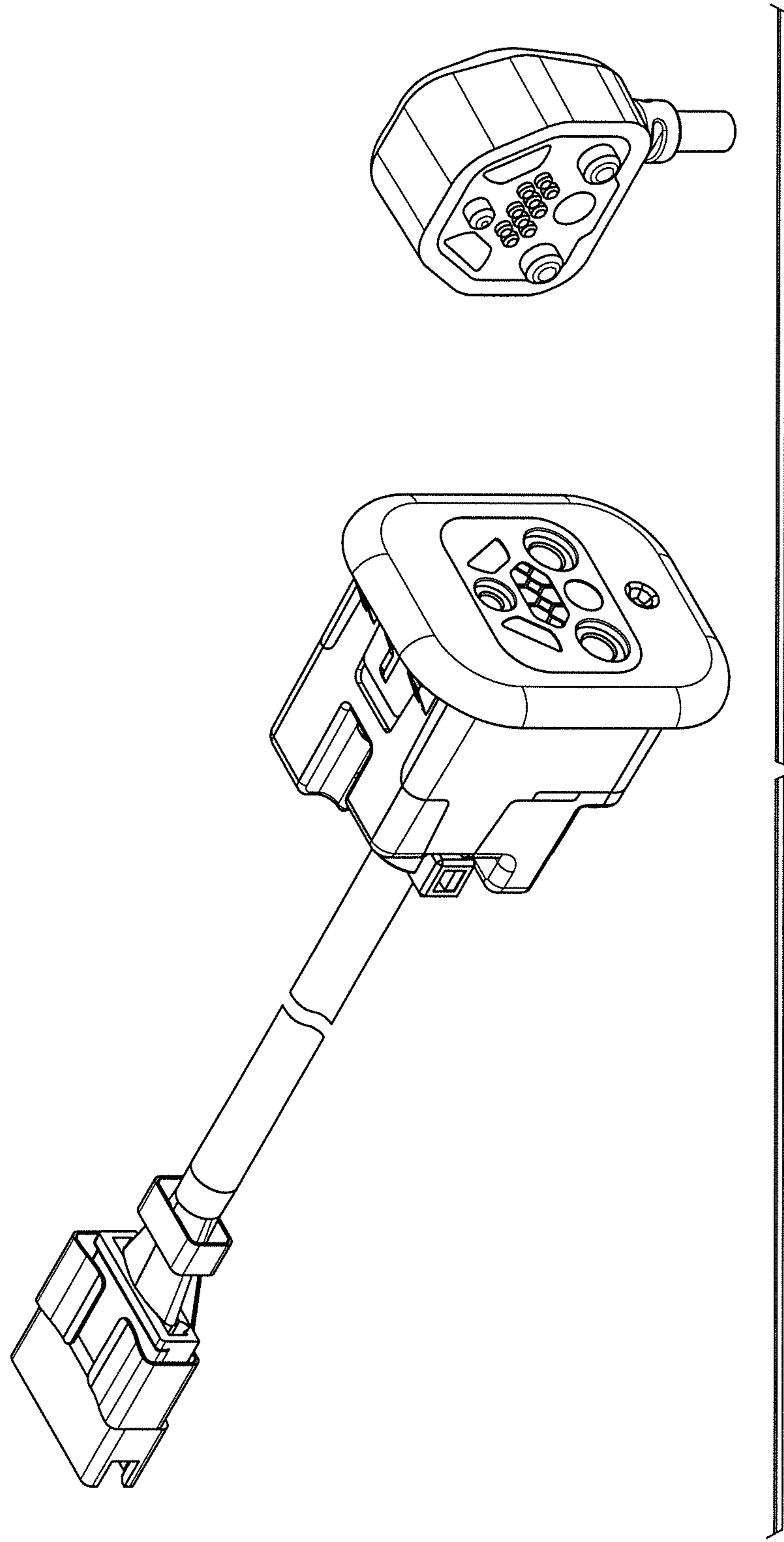


FIG. 10