



US00D713789S

(12) **United States Design Patent**
Burns et al.

(10) **Patent No.:** **US D713,789 S**

(45) **Date of Patent:** **** Sep. 23, 2014**

- (54) **VERTICAL AXIS WIND TURBINE APPARATUS**
- (71) Applicant: **Abundant Energy, LLC**, Austin, TX (US)
- (72) Inventors: **Douglas W. Burns**, Austin, TX (US);
Allen Williston, Foristell, MO (US);
Tyler N. Doyle, Marblehead, MA (US)
- (73) Assignee: **Abundant Energy, LLC**, Austin, TX (US)
- (**) Term: **14 Years**
- (21) Appl. No.: **29/470,806**
- (22) Filed: **Oct. 25, 2013**
- (51) **LOC (10) Cl.** **13-01**
- (52) **U.S. Cl.**
USPC **D13/115**
- (58) **Field of Classification Search**
USPC D13/115, 101, 118, 199; D15/1, 199;
290/54, 55; 415/56.3, 191, 208.1,
415/209.4, 916; 416/37, 38, 44, 132 B, 141,
416/142, 176, 177, 196 A
See application file for complete search history.

- 8,322,035 B2 12/2012 Yan
- 8,322,989 B2 12/2012 Ozkul
- 8,333,564 B2 12/2012 Krivcov et al.
- 8,373,294 B2 2/2013 Haar
- 8,390,142 B2 3/2013 Yan et al.
- 2010/0133829 A1 6/2010 Bertenyi
- 2012/0163976 A1 6/2012 Batista et al.
- 2012/0195757 A1 8/2012 Paulin
- 2012/0211992 A1 8/2012 Boone
- 2013/0036684 A1 2/2013 Schmitt et al.

FOREIGN PATENT DOCUMENTS

- DE 102011118844 11/2011
- WO 2012176048 6/2012

* cited by examiner

Primary Examiner — Derrick Holland

(74) *Attorney, Agent, or Firm* — Young Basile Hanlon & MacFarlane P.C.

(57) **CLAIM**

The ornamental design for a vertical axis wind turbine apparatus, as shown and described.

DESCRIPTION

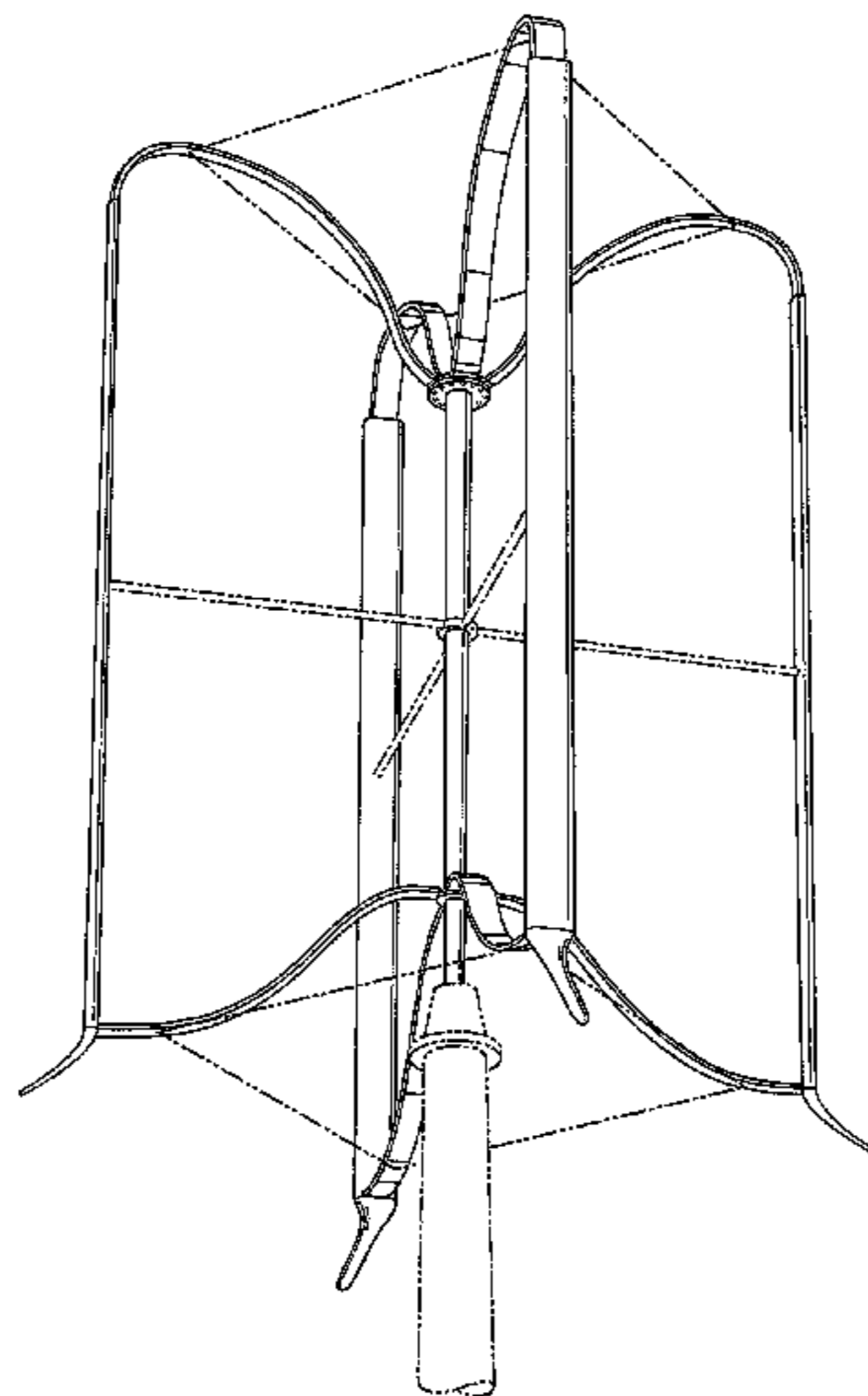
FIG. 1 is a perspective view of the vertical axis wind turbine apparatus;
 FIG. 2 is a front view of the vertical axis wind turbine apparatus;
 FIG. 3 is a side view of the vertical axis wind turbine apparatus;
 FIG. 4 is a top view of the vertical axis wind turbine apparatus; and,
 FIG. 5 is a bottom view of the vertical axis wind turbine apparatus.
 The claimed design is shown in solid, relatively bold lines. The relatively thin shaded lines show contour and not surface ornamentation. The broken lines shown represent unclaimed environmental subject matter and form no part of the claimed design.

1 Claim, 5 Drawing Sheets

(56) **References Cited**

U.S. PATENT DOCUMENTS

- 4,247,253 A * 1/1981 Seki et al. 416/44
- 4,525,124 A * 6/1985 Watson et al. 416/132 B
- D511,495 S * 11/2005 Okubo et al. D13/115
- D591,234 S * 4/2009 Unno D13/115
- D610,542 S 2/2010 Raisanen et al.
- 7,902,688 B2 3/2011 Krivcov et al.
- 7,982,329 B2 7/2011 Lin et al.
- D647,477 S * 10/2011 Lin D13/115
- 8,030,792 B2 10/2011 Haar
- 8,164,213 B2 4/2012 Mahaffy et al.
- 8,169,102 B2 5/2012 Lin et al.
- D666,969 S 9/2012 Hara



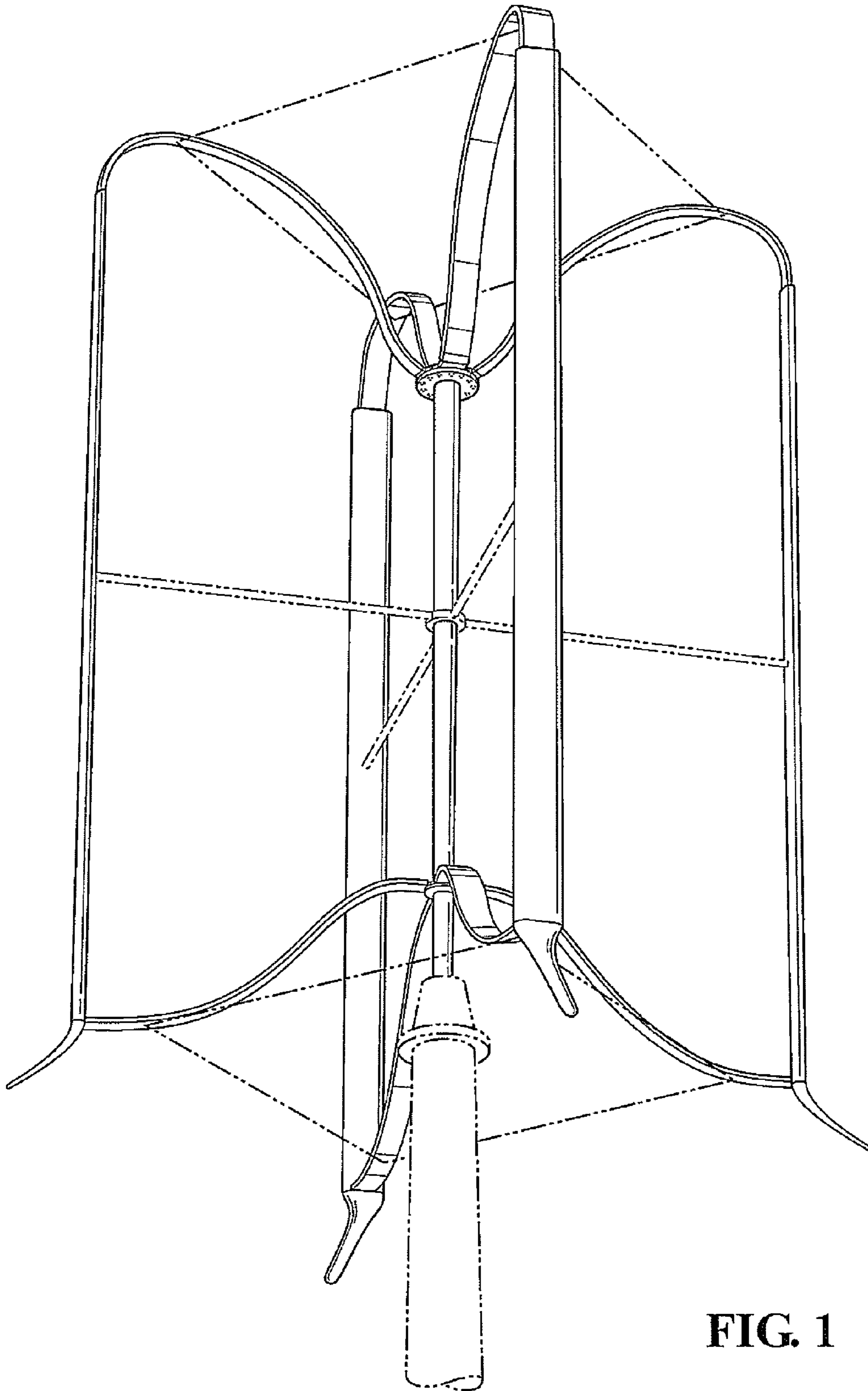


FIG. 1

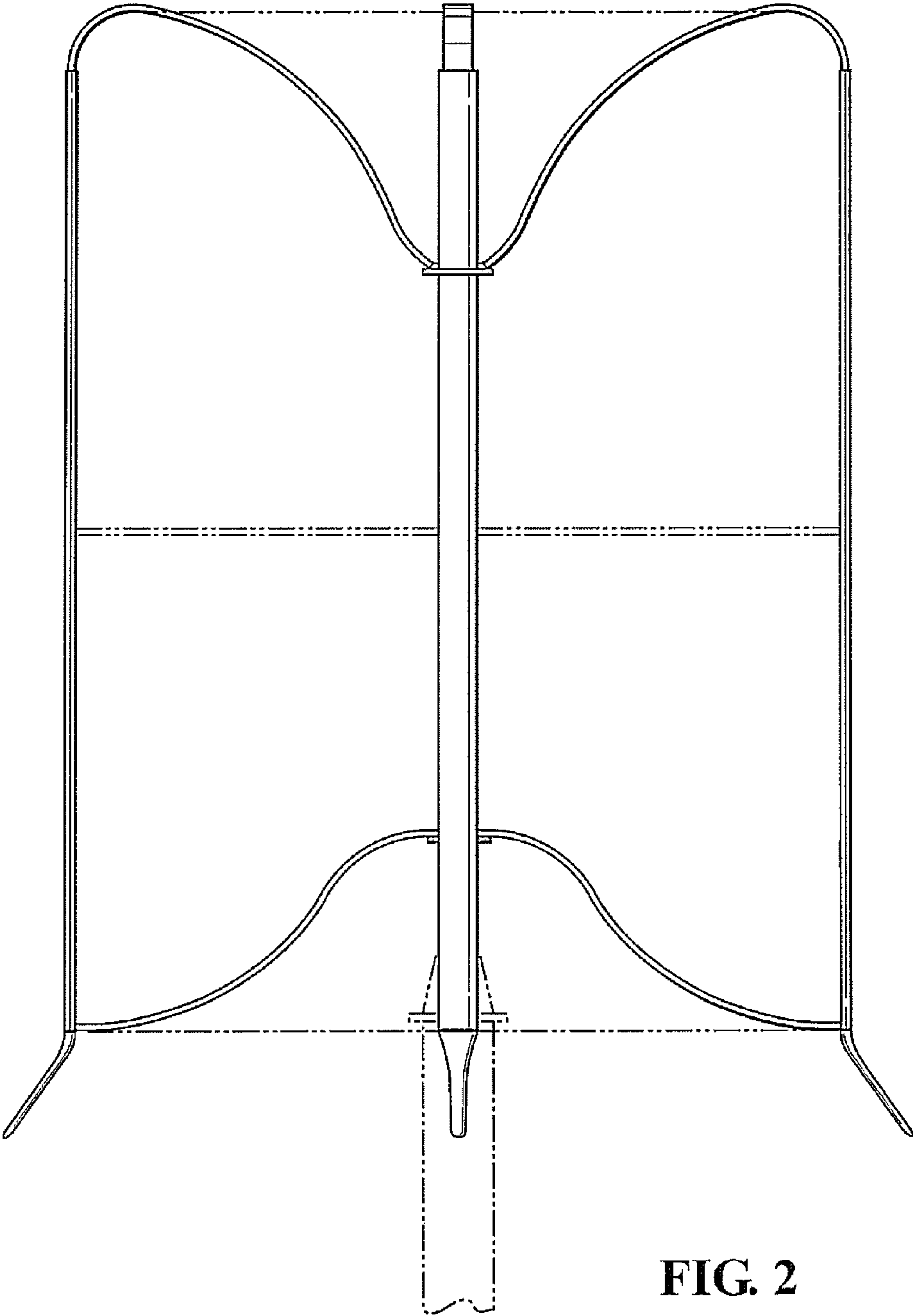


FIG. 2

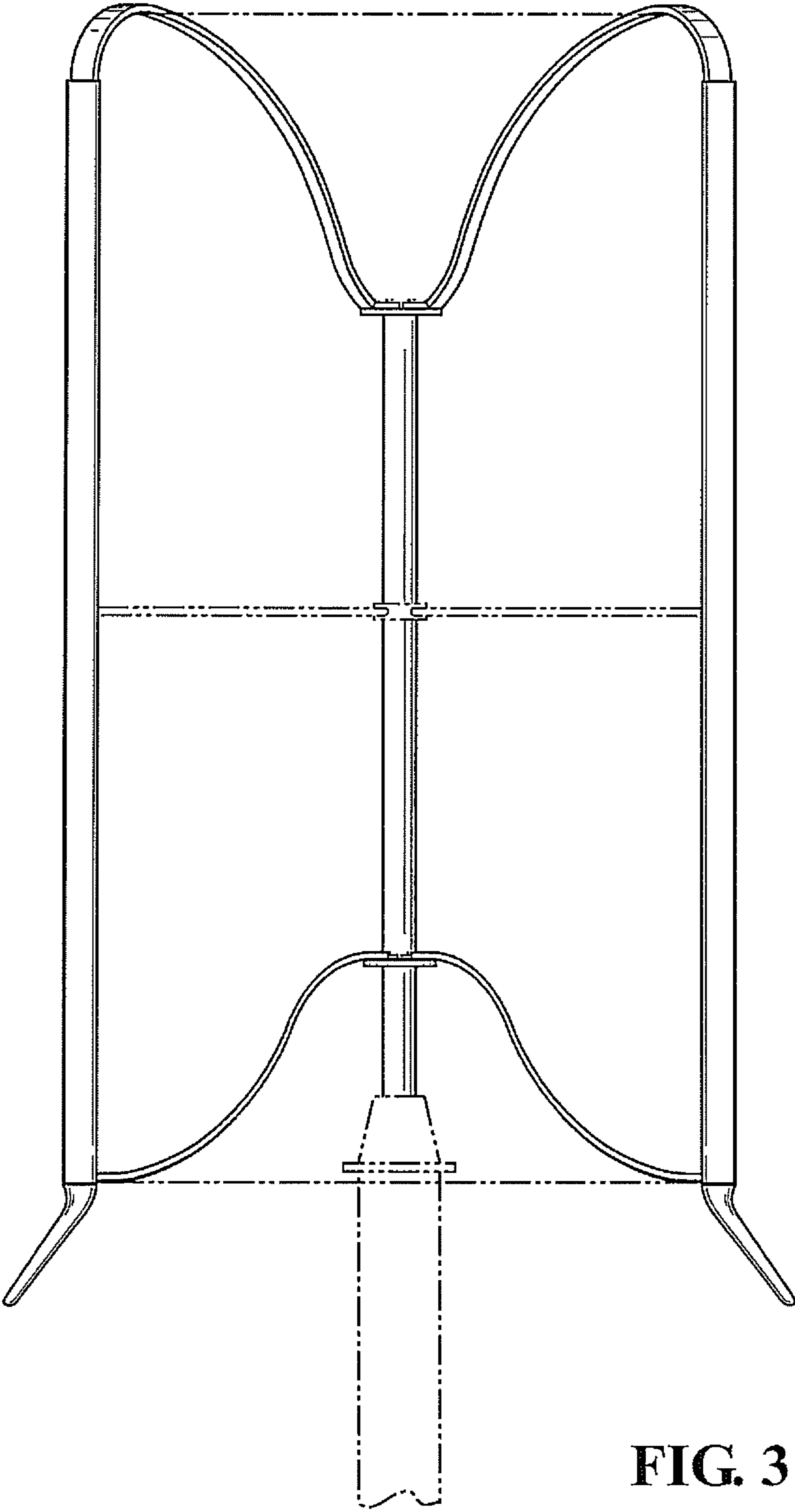


FIG. 3

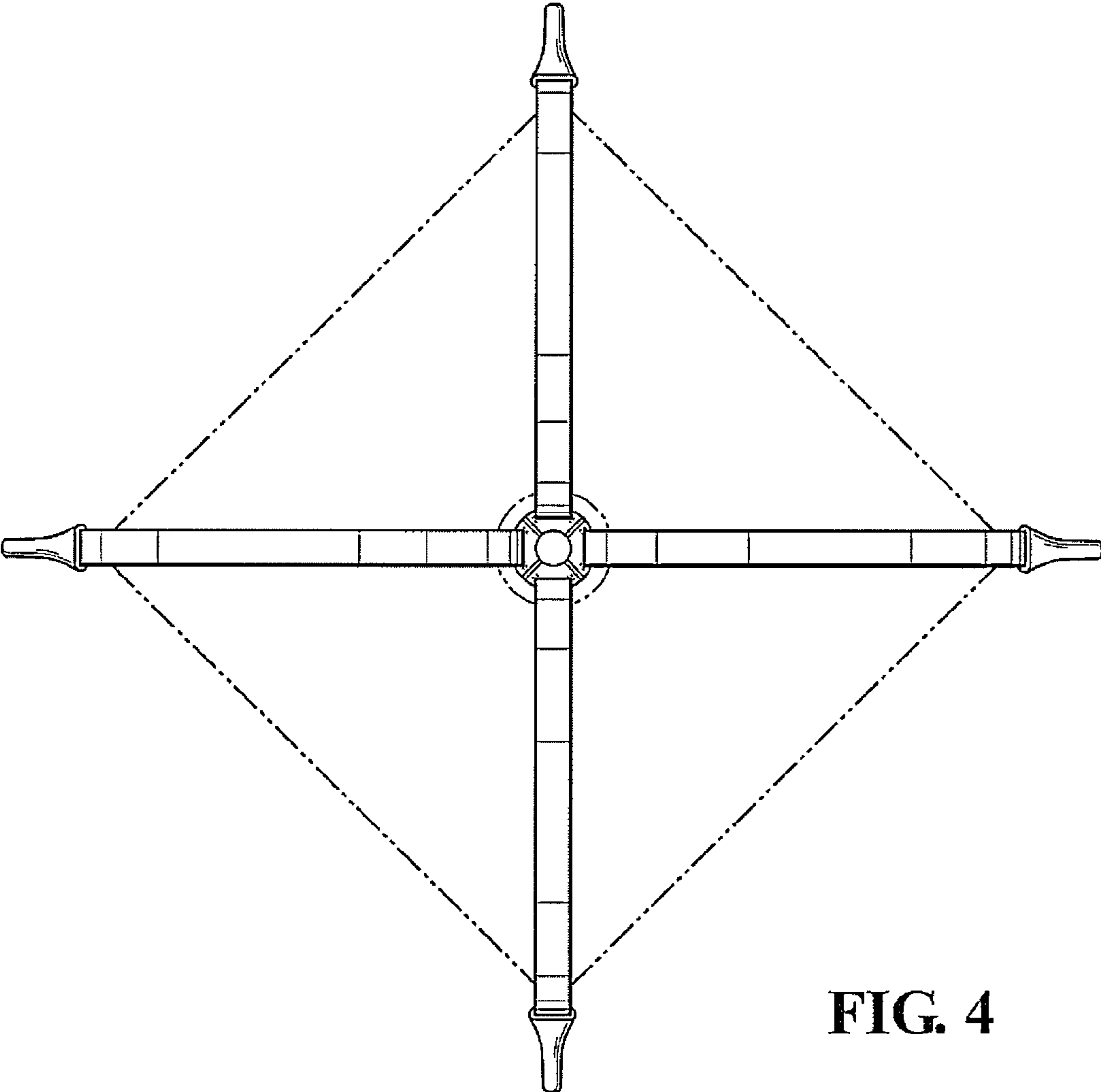


FIG. 4

