



US00D713788S

(12) **United States Design Patent**  
**Hasegawa et al.**

(10) **Patent No.:** **US D713,788 S**

(45) **Date of Patent:** **\*\* Sep. 23, 2014**

(54) **POWER ADAPTER**

(71) Applicant: **Panasonic Corporation**, Kadoma (JP)

(72) Inventors: **Takashi Hasegawa**, Osaka (JP); **Atsushi Noda**, Osaka (JP); **Tadahito Ishibashi**, Osaka (JP); **Kent Ito**, Osaka (JP)

(73) Assignee: **Panasonic Corporation**, Osaka (JP)

(\*\*) Term: **14 Years**

(21) Appl. No.: **29/485,742**

(22) Filed: **Mar. 21, 2014**

(51) **LOC (10) Cl.** ..... **13-02**

(52) **U.S. Cl.**  
USPC ..... **D13/110**

(58) **Field of Classification Search**  
USPC ..... D13/110, 107, 108, 118, 119, 123, 133,  
D13/137.1, 184, 199; D14/251, 432, 434;  
174/53, 54, 59, 61; 307/11, 150, 151;  
320/107, 111, 112, 113, 114, 115;  
361/679.01; 363/142, 146; 439/131,  
439/172, 626, 628, 638

See application file for complete search history.

(56) **References Cited**

**U.S. PATENT DOCUMENTS**

4,543,624 A \* 9/1985 Rumble ..... 363/146  
D350,113 S \* 8/1994 Nagele ..... D13/110  
D381,624 S 7/1997 Muller et al.  
D383,115 S \* 9/1997 Nagele et al. .... D13/110  
D406,259 S 3/1999 Lindahl

5,973,948 A \* 10/1999 Hahn et al. .... 363/146  
6,042,400 A \* 3/2000 Queffelec et al. .... 439/131  
D430,107 S \* 8/2000 Taylor ..... D13/110  
D449,030 S 10/2001 Baxter et al.  
D660,797 S \* 5/2012 Wu ..... D13/110  
D662,049 S \* 6/2012 Akana et al. .... D13/107  
D662,472 S \* 6/2012 Tien ..... D13/110  
D669,029 S 10/2012 Huang  
D677,222 S 3/2013 Haapaniemi et al.  
D680,492 S 4/2013 Smith et al.  
D689,819 S 9/2013 Olsson et al.

\* cited by examiner

*Primary Examiner* — Derrick Holland

(74) *Attorney, Agent, or Firm* — Brinks Gilson & Lione

(57) **CLAIM**

We claim the ornamental design for a power adapter, as shown and described.

**DESCRIPTION**

FIG. 1 is a front perspective view of a power adapter of the present invention;  
FIG. 2 is a rear perspective view thereof;  
FIG. 3 is a front view thereof;  
FIG. 4 is a first side view thereof;  
FIG. 5 is a second side view thereof;  
FIG. 6 is a top view thereof;  
FIG. 7 is a bottom view thereof; and,  
FIG. 8 is a rear view thereof.

The broken lines shown represent unclaimed subject matter and form no part of the claimed design.

**1 Claim, 8 Drawing Sheets**

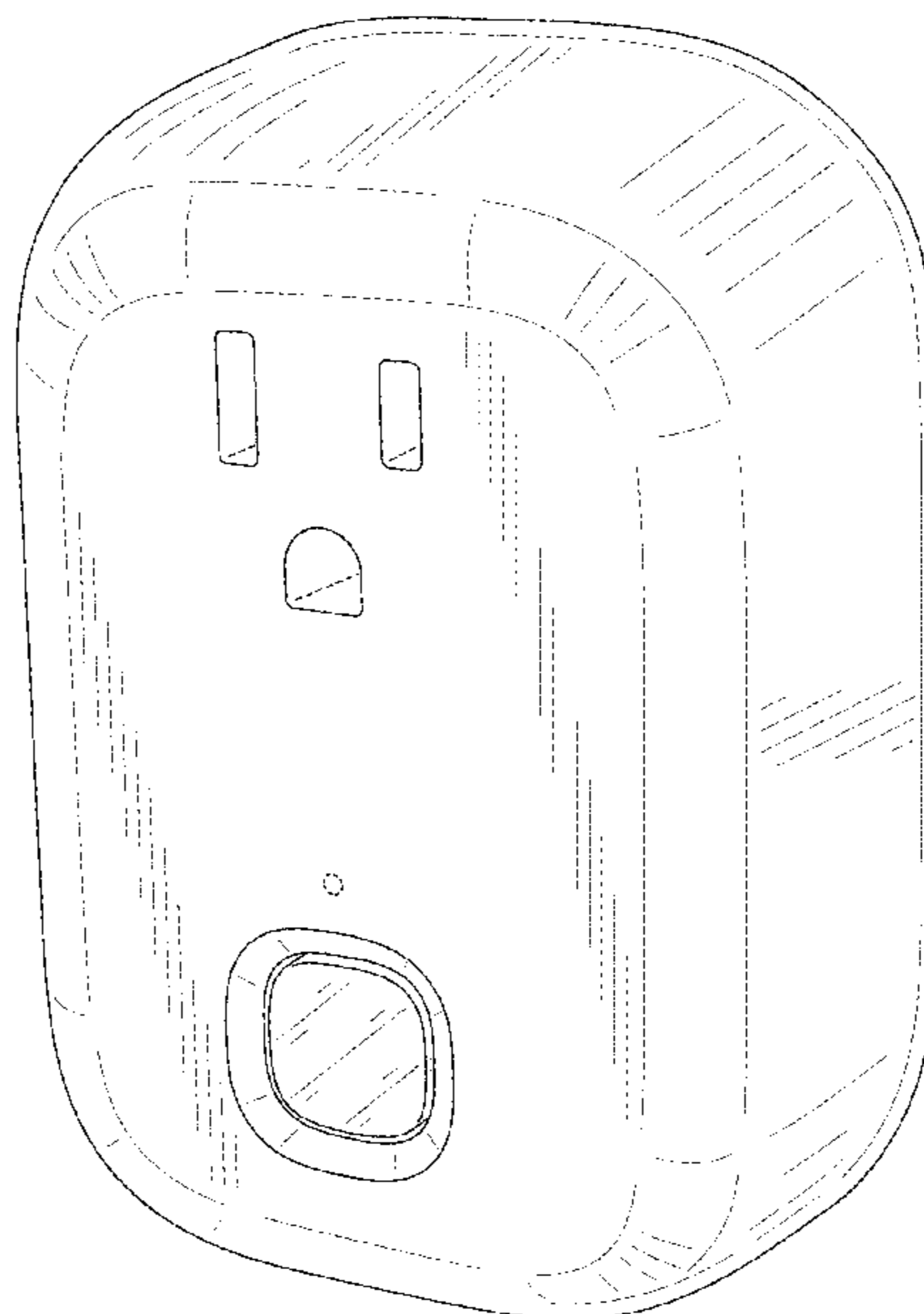


FIG. 1

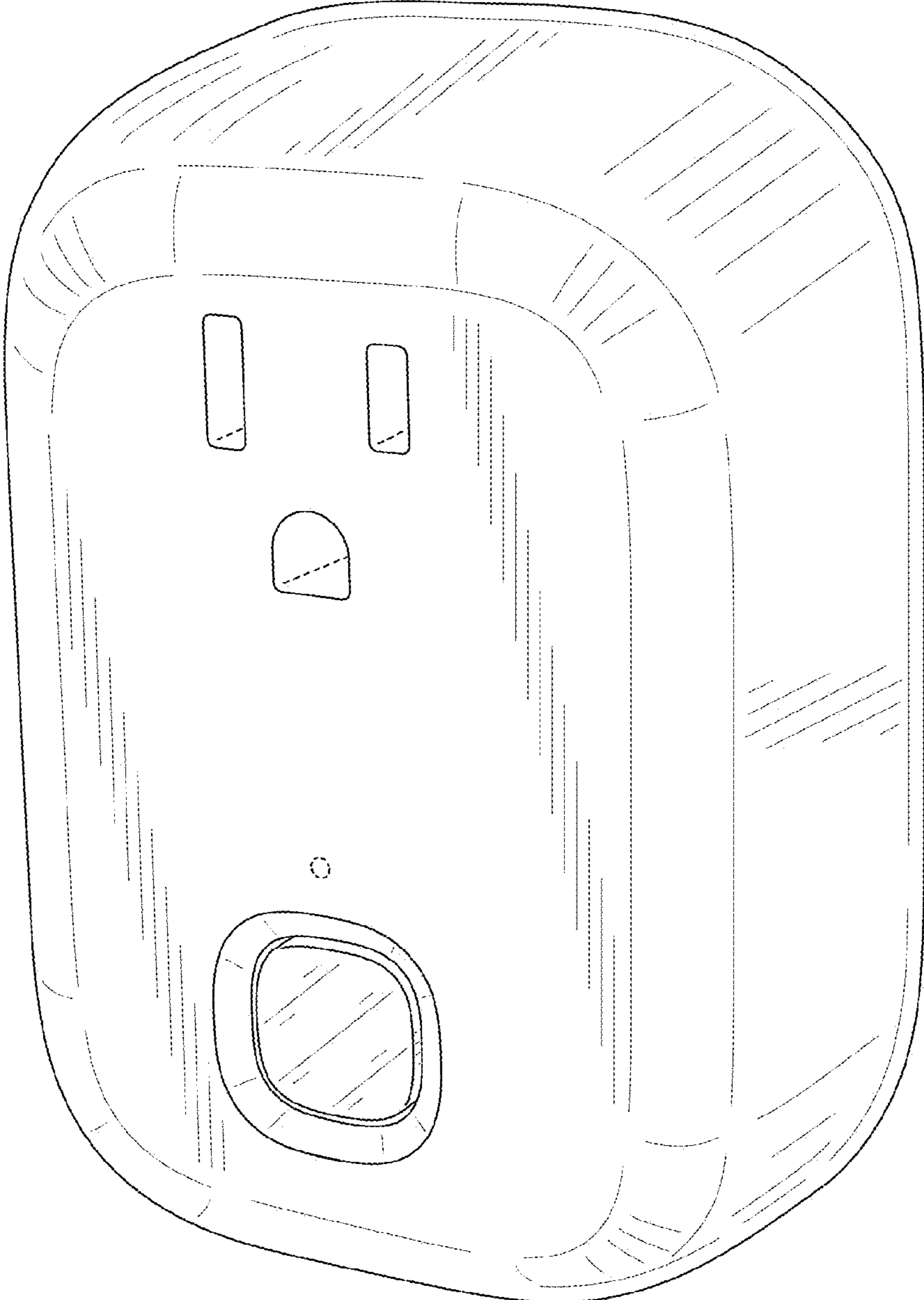


FIG.2



FIG.3

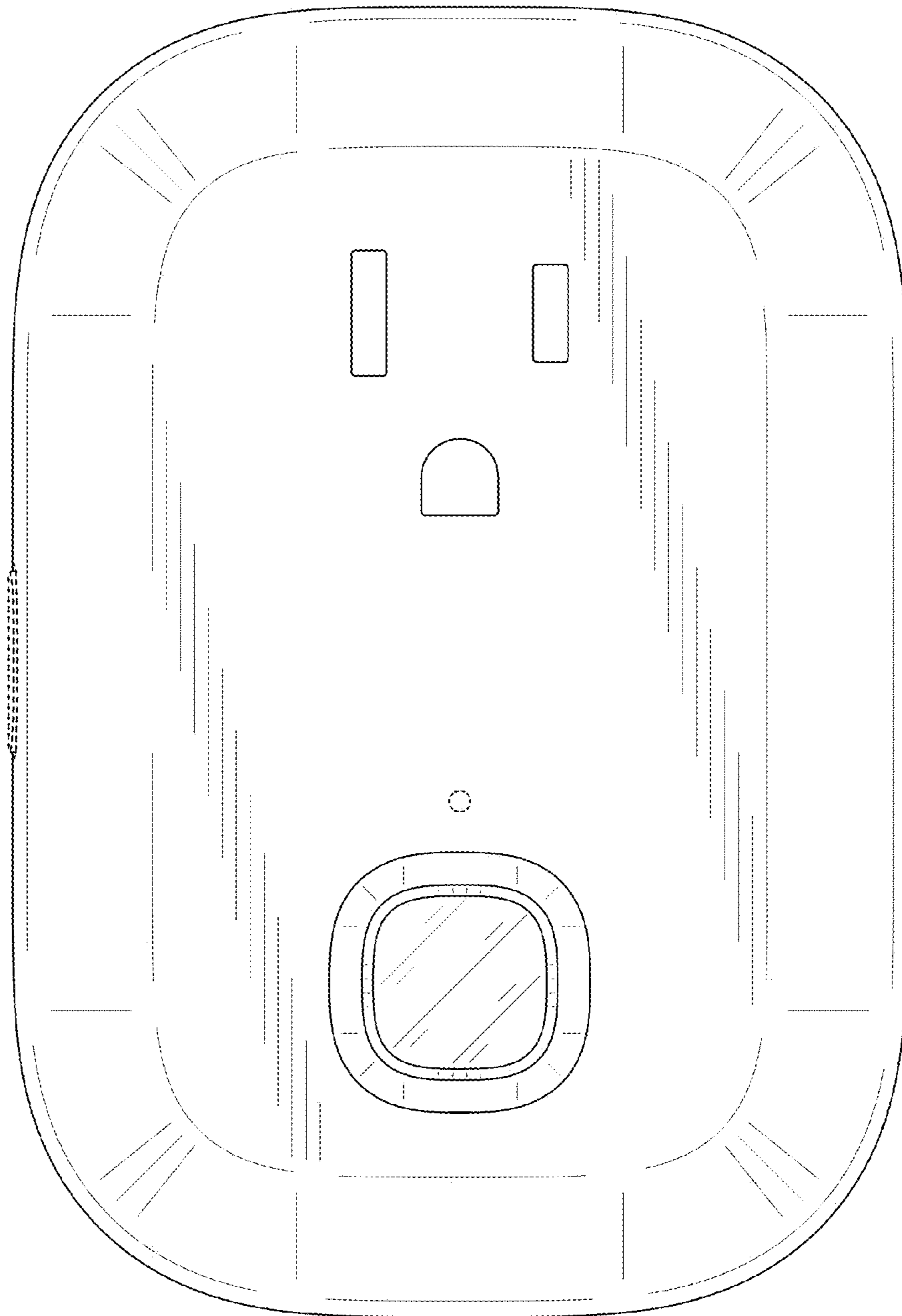


FIG.4

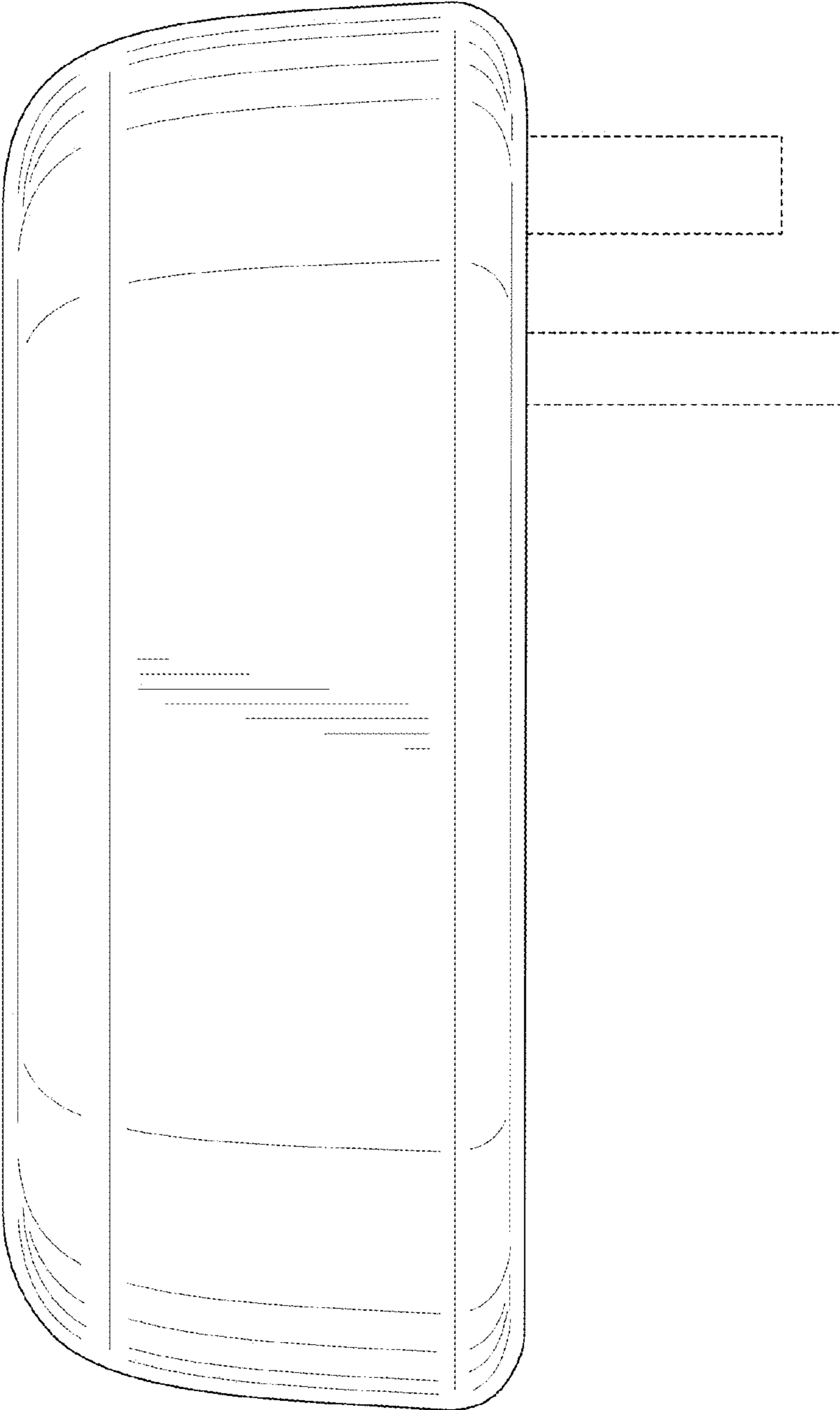


FIG.5

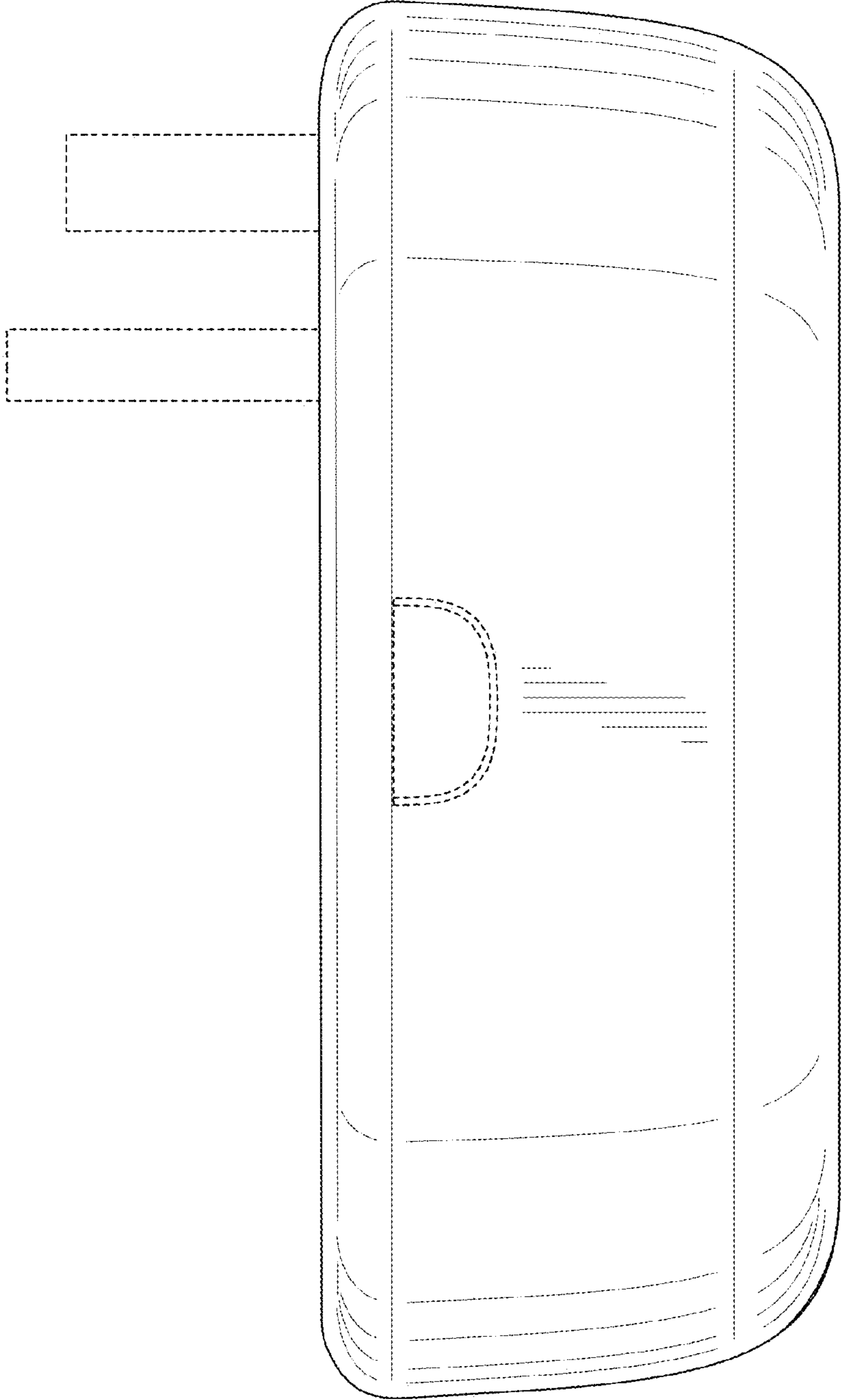


FIG.6

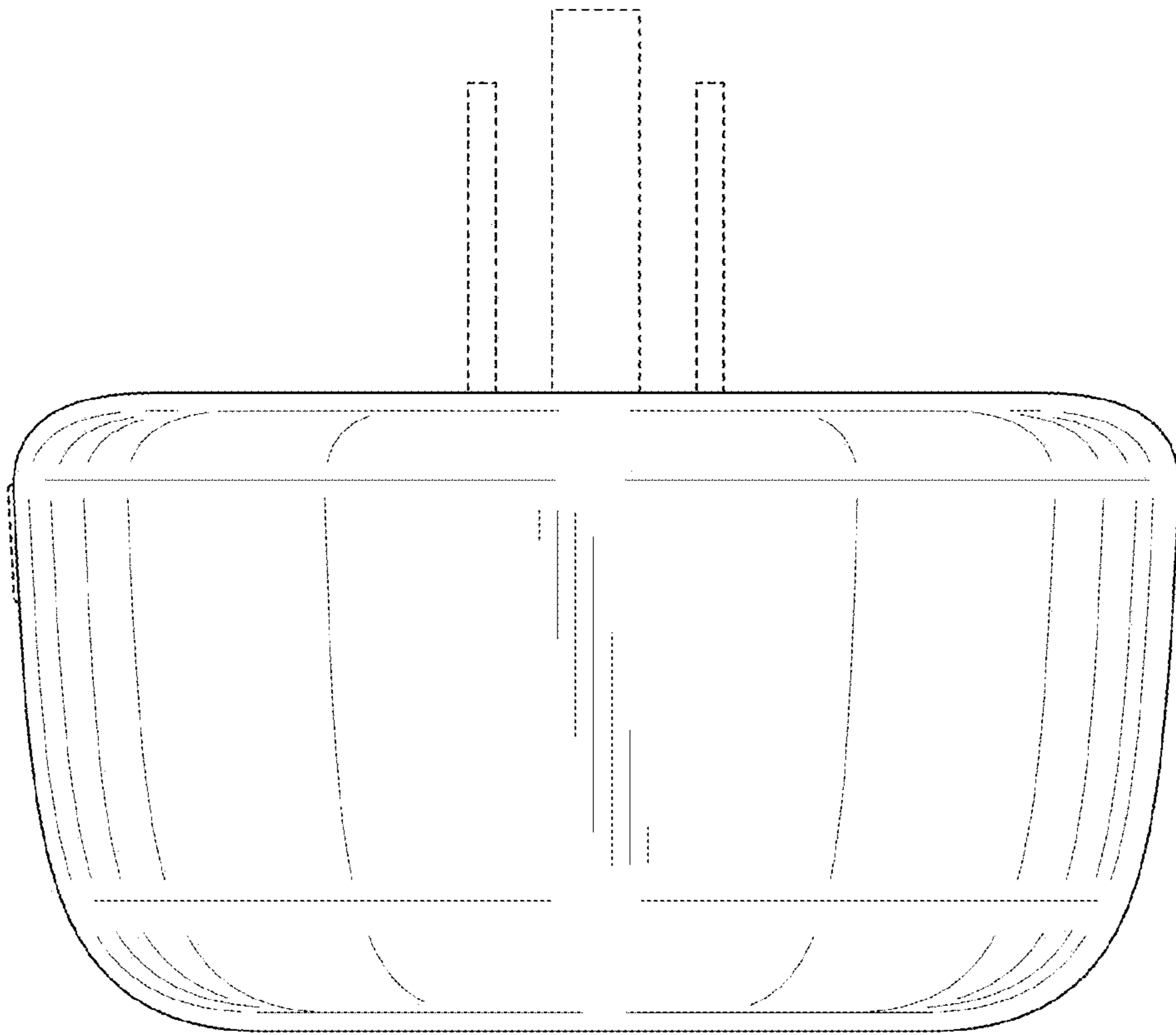


FIG.7

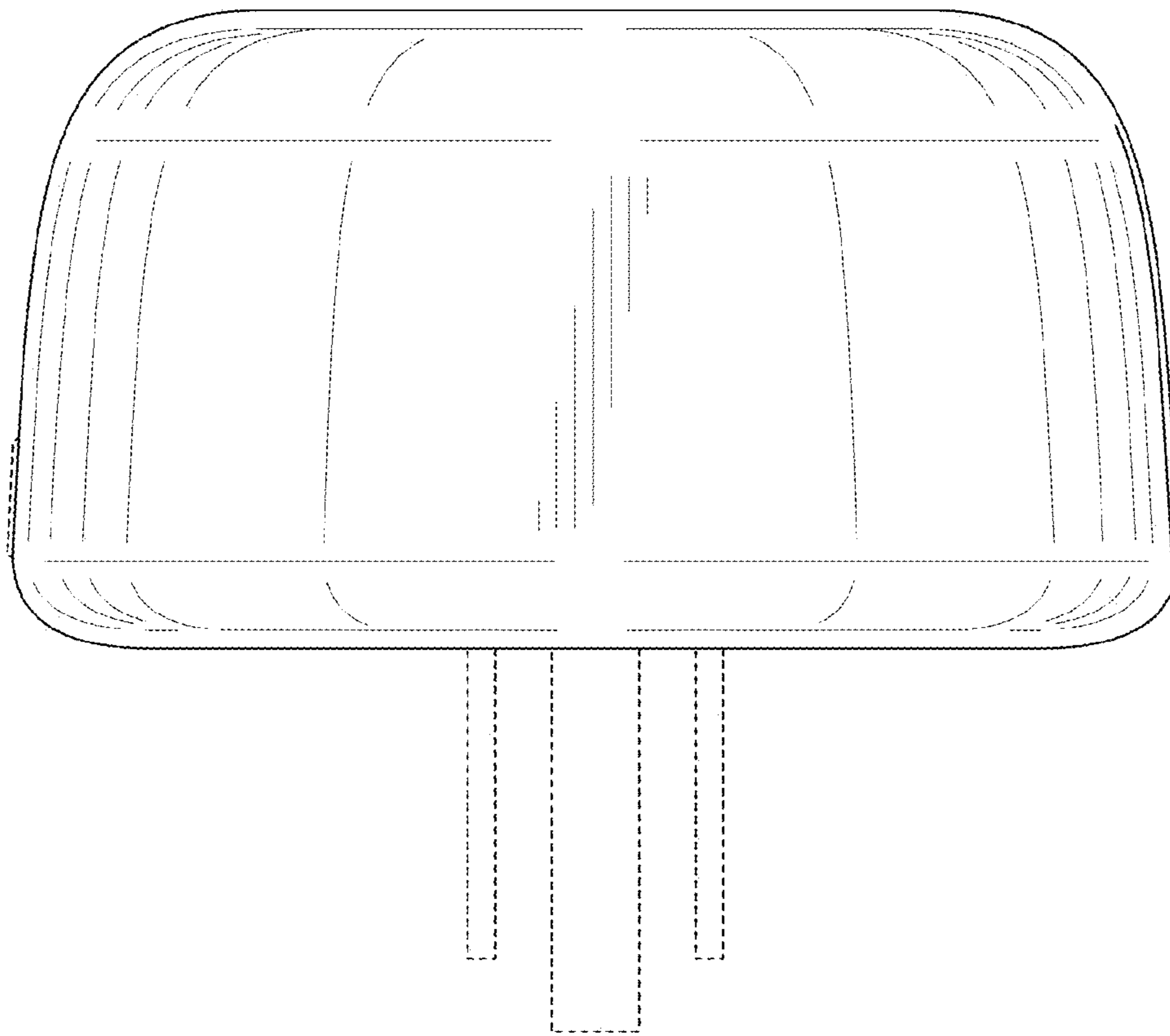




FIG.8

