



US00D713787S

(12) **United States Design Patent**
Tio et al.

(10) **Patent No.:** **US D713,787 S**

(45) **Date of Patent:** **** Sep. 23, 2014**

(54) **INDUSTRIAL CONTROL COMPONENT
MALE CONNECTOR INTERFACE**

(76) Inventors: **Yuen Leong Donald Tio**, Singapore
(SG); **Scott Peter Miles**, Belgium, WI
(US); **Yang Yueng Melvin Yap**,
Singapore (SG)

(**) Term: **14 Years**

(21) Appl. No.: **29/432,421**

(22) Filed: **Sep. 14, 2012**

(51) **LOC (10) Cl.** **13-02**

(52) **U.S. Cl.**
USPC **D13/110; D13/118**

(58) **Field of Classification Search**
USPC D13/110, 101, 118, 123, 146, 147, 154,
D13/184, 199; 307/150-152; 361/600, 601,
361/622, 702, 703, 730, 796, 809; 363/141,
363/142; 439/62, 79, 260, 329, 395, 422,
439/499

See application file for complete search history.

(56) **References Cited**

U.S. PATENT DOCUMENTS

D407,688 S * 4/1999 Dague et al. D13/147
5,946,193 A * 8/1999 Hendrix et al. 361/704

D414,467 S * 9/1999 Aizawa et al. D13/147
6,061,237 A * 5/2000 Sands et al. 361/695
D601,957 S * 10/2009 Blake et al. D13/110
D602,870 S * 10/2009 Wu et al. D13/147
D637,956 S * 5/2011 Yuan et al. D13/147
D649,114 S * 11/2011 Brookshire et al. D13/110
D650,754 S * 12/2011 Bodmann et al. D13/147

* cited by examiner

Primary Examiner — Derrick Holland

(74) *Attorney, Agent, or Firm* — Fletcher Yoder, P.C.

(57) **CLAIM**

The ornamental design for an industrial control component male connector interface, as shown and described.

DESCRIPTION

FIG. 1 is a front top perspective view of an industrial control component male connector interface showing our new design;

FIG. 2 is a rear top perspective view thereof;

FIG. 3 is a top plan view thereof;

FIG. 4 is a right side elevational view thereof;

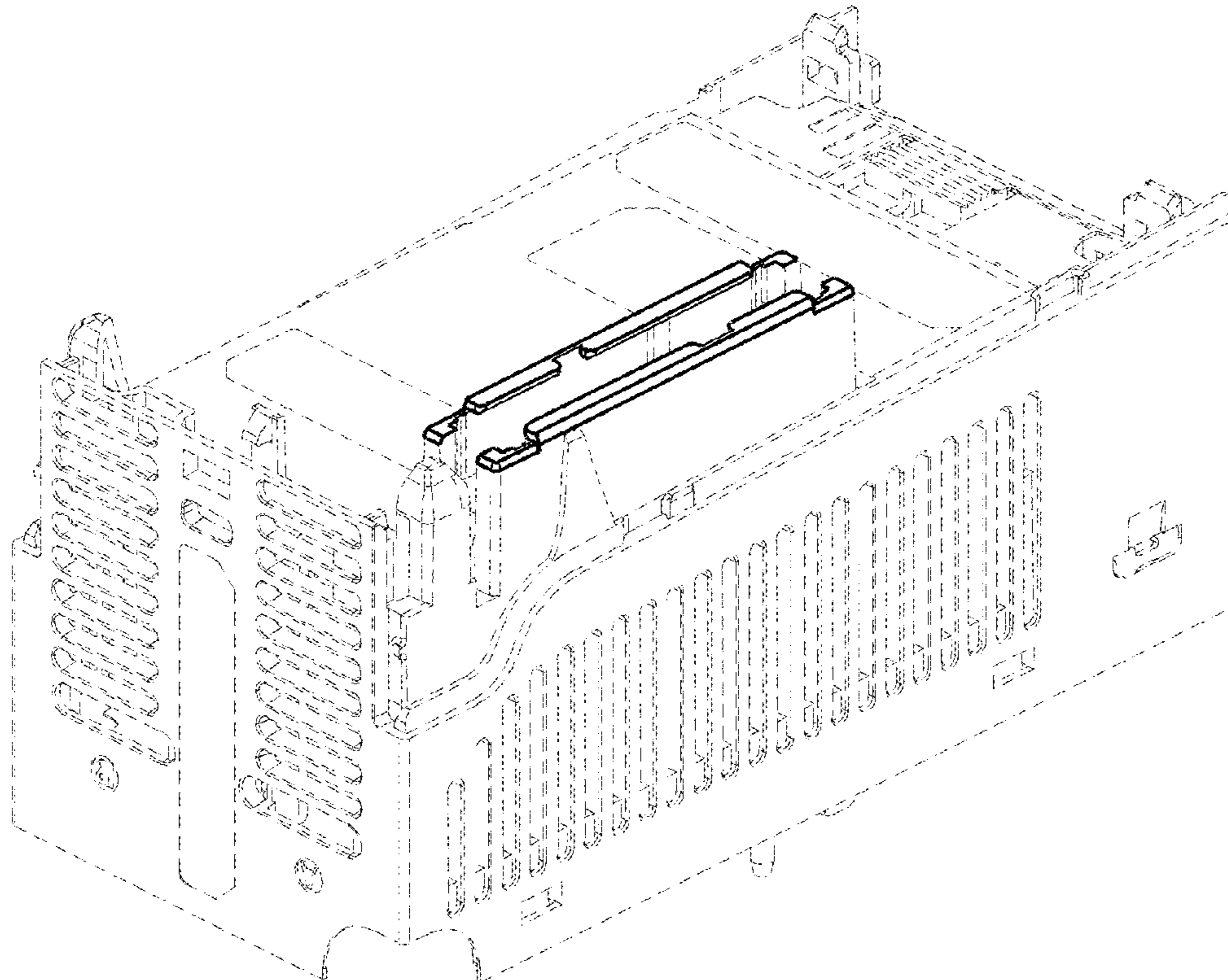
FIG. 5 is a left side elevational view thereof;

FIG. 6 is a front side elevational view thereof; and,

FIG. 7 is a rear side elevational view thereof.

The broken lines shown represent unclaimed environmental subject matter and form no part of the claimed design.

1 Claim, 5 Drawing Sheets



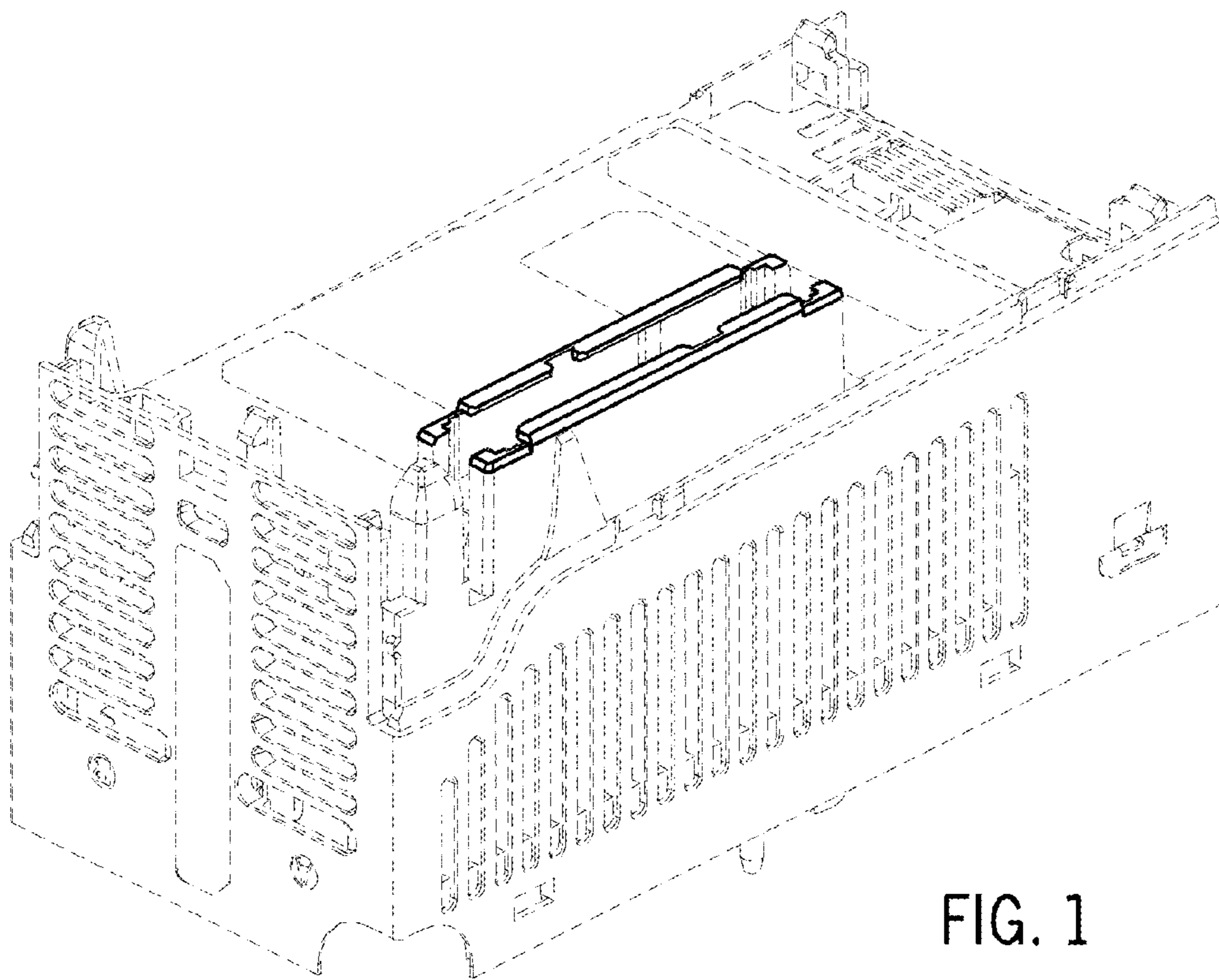


FIG. 1

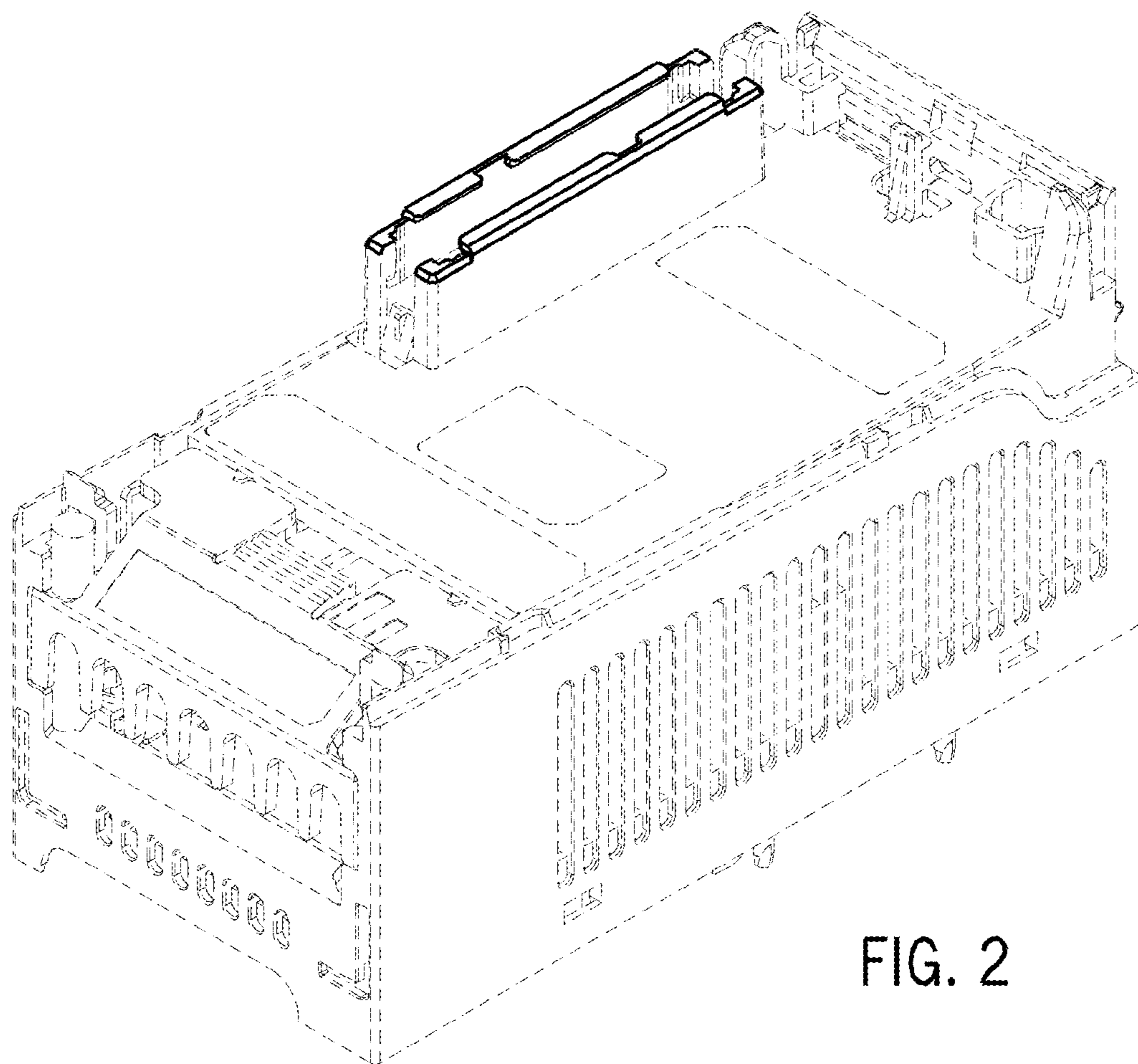


FIG. 2

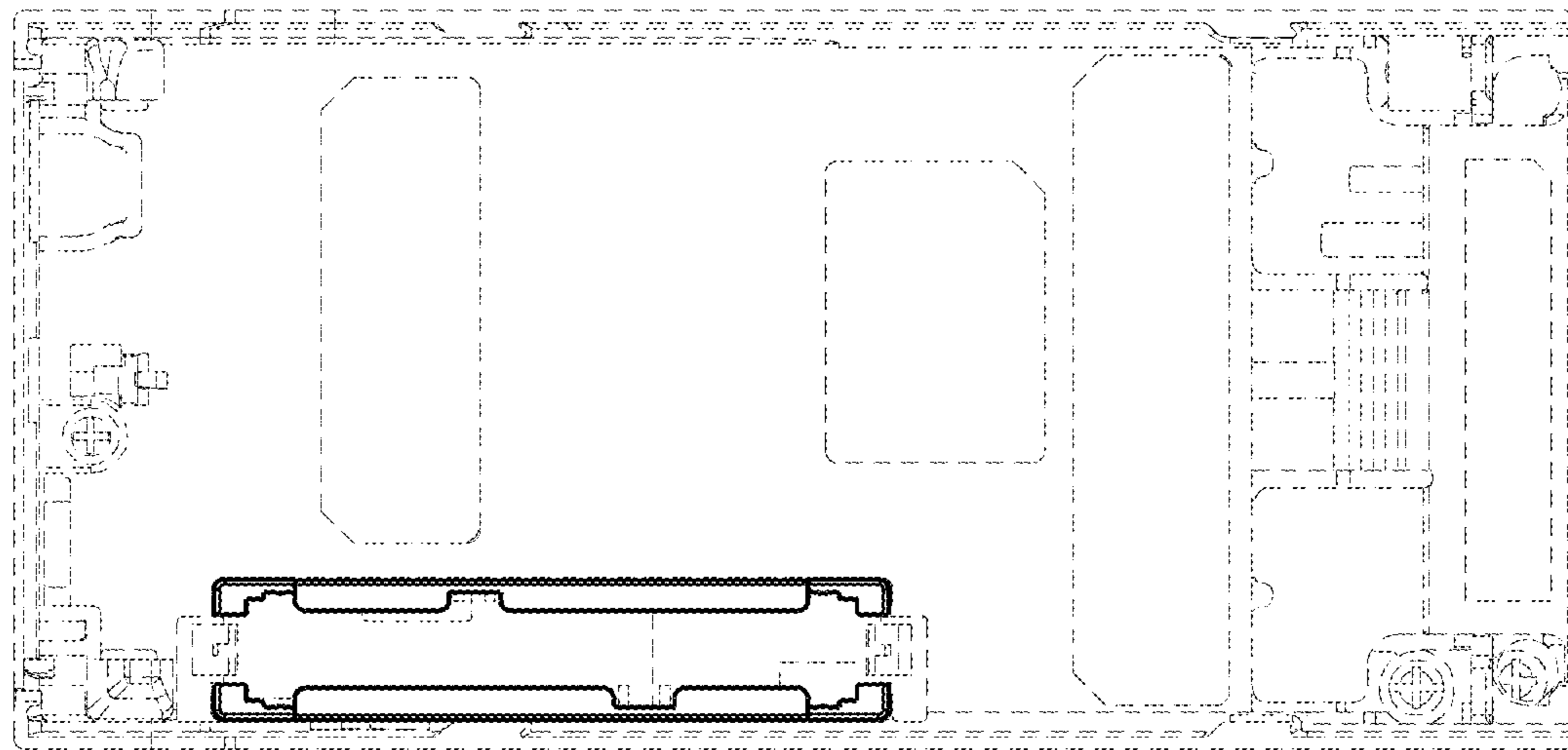


FIG. 3

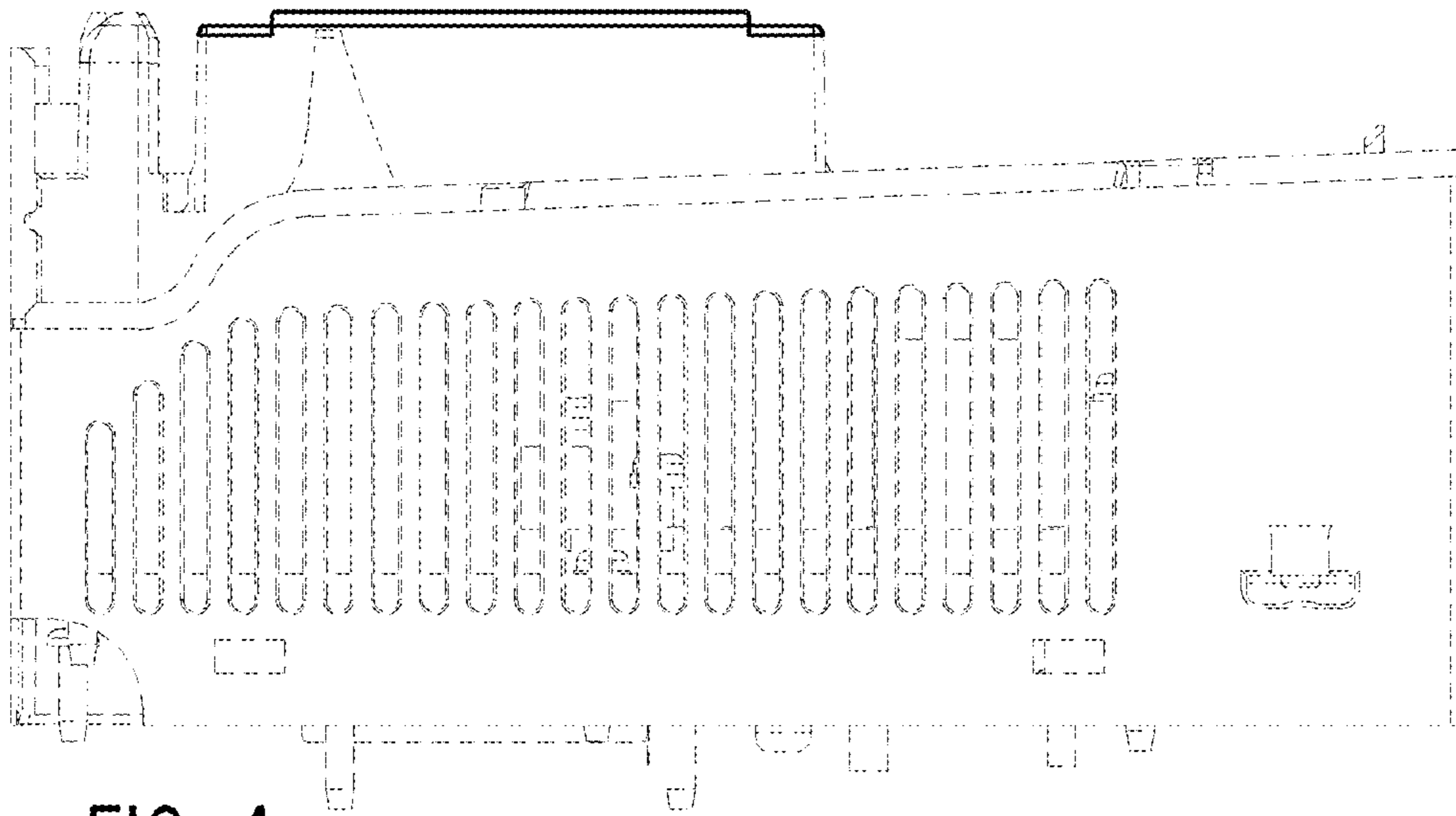


FIG. 4

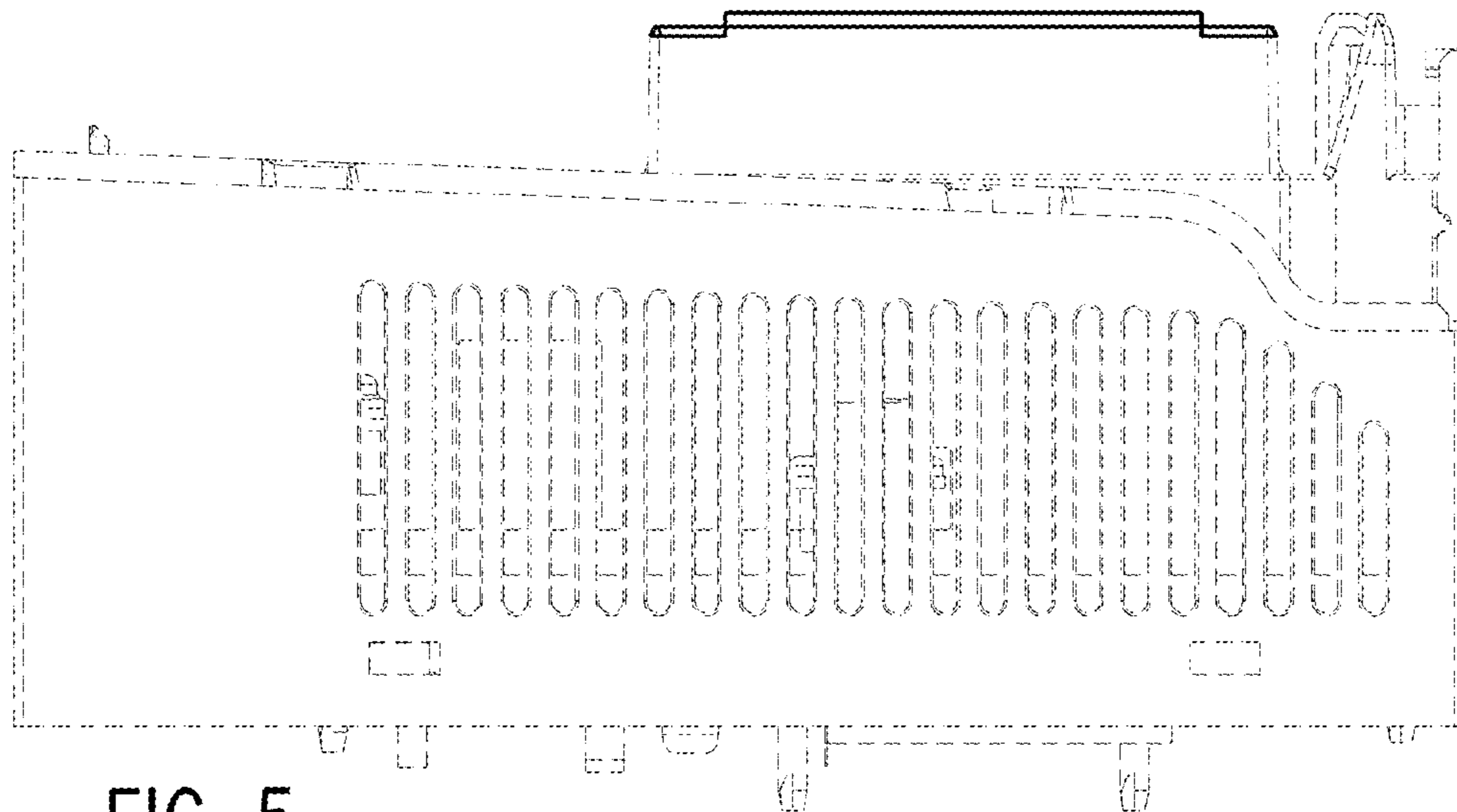


FIG. 5

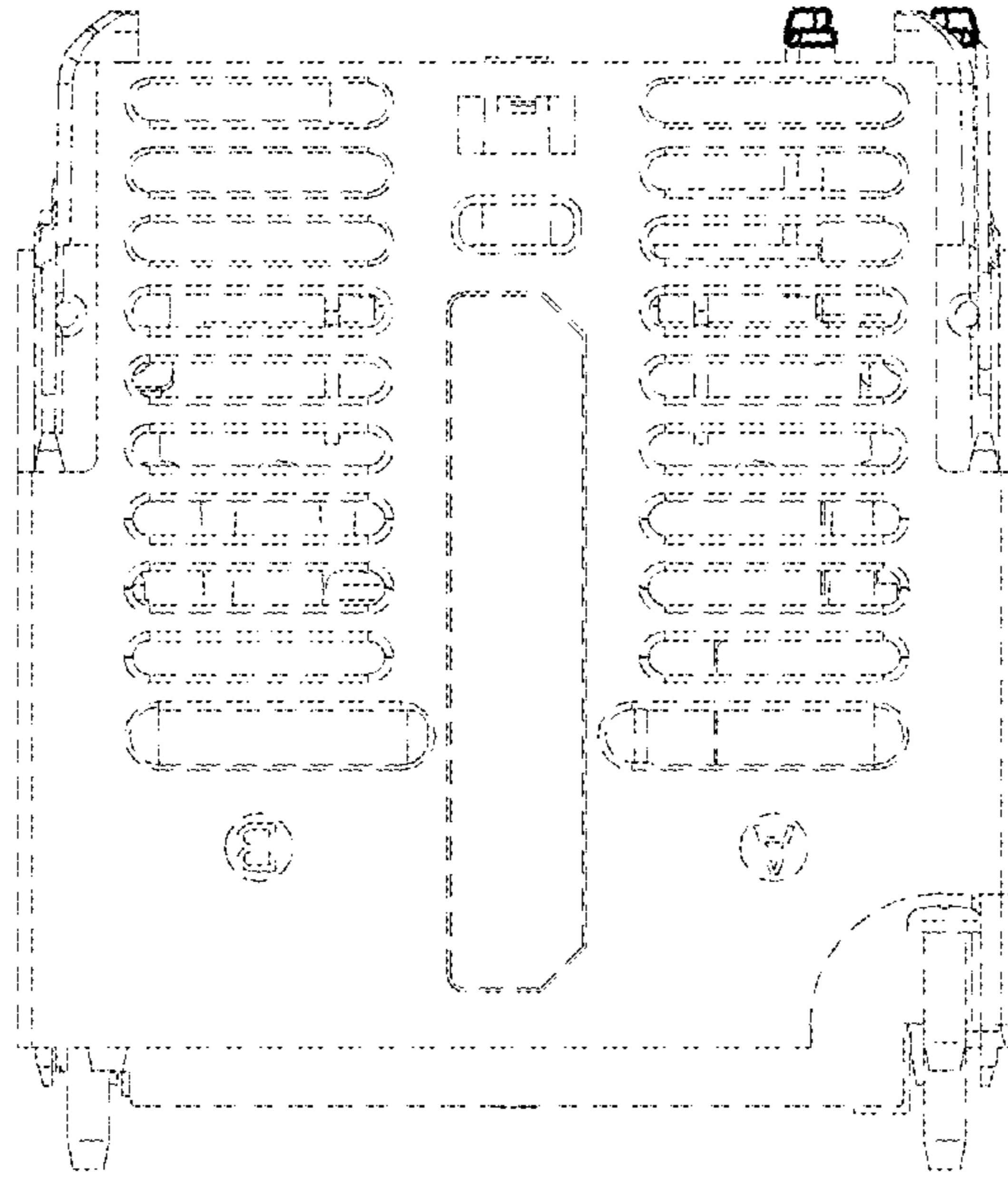


FIG. 6

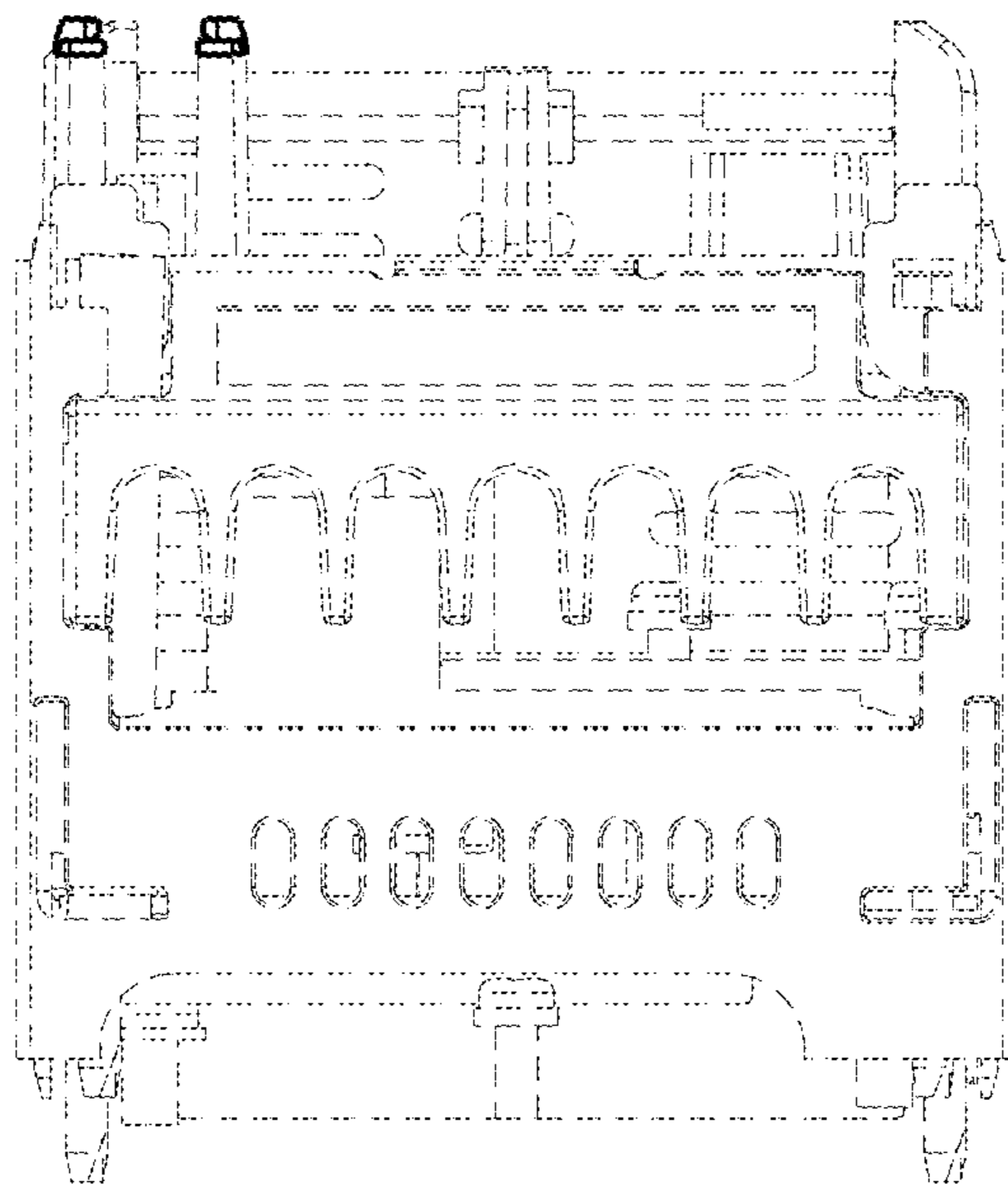


FIG. 7