

US00D713785S

(12) **United States Design Patent**  
**Tehrani**

(10) **Patent No.:** **US D713,785 S**

(45) **Date of Patent:** **\*\* Sep. 23, 2014**

(54) **POWER CARD**

(71) Applicant: **Farshad Tehrani**, Los Angeles, CA (US)

(72) Inventor: **Farshad Tehrani**, Los Angeles, CA (US)

(73) Assignee: **Tego LLP**, Hollywood, CA (US)

(\*\*) Term: **14 Years**

(21) Appl. No.: **29/473,184**

(22) Filed: **Nov. 19, 2013**

(51) **LOC (10) Cl.** ..... **13-02**

(52) **U.S. Cl.**  
USPC ..... **D13/108; D13/103**

(58) **Field of Classification Search**  
USPC ..... D13/102-110, 118-119, 133, 146, 147,  
D13/154, 184, 199; D14/356, 432, 480.1,  
D14/480.3-480.7; 320/103, 107-115, 135,  
320/138, 140; 429/96-100, 156, 163, 176,  
429/122

See application file for complete search history.

(56) **References Cited**

**U.S. PATENT DOCUMENTS**

6,091,224	A *	7/2000	Morita	320/113
D526,651	S *	8/2006	Hoogerdijk	D14/436
D537,036	S *	2/2007	Chen	D14/433
D545,311	S *	6/2007	Wai	D14/480.7
D553,130	S *	10/2007	Fiorentino	D14/436
D587,206	S *	2/2009	Wu et al.	D13/146
D588,147	S *	3/2009	Finlayson et al.	D14/480.5
D636,725	S *	4/2011	Levy et al.	D13/108
D645,049	S *	9/2011	Faranda et al.	D14/480.5
D652,379	S *	1/2012	Vandiver	D13/108

D653,207	S *	1/2012	Vandiver	D13/108
D656,147	S *	3/2012	Schlossstein	D14/480.6
D659,094	S *	5/2012	Brand et al.	D13/108
D659,149	S *	5/2012	Andre	D14/480.6
D659,150	S *	5/2012	Andre	D14/480.7
D662,050	S *	6/2012	Tien	D13/108
D673,111	S *	12/2012	Lo et al.	D13/108
D679,717	S *	4/2013	Benois	D14/480.1
D685,732	S *	7/2013	Miller et al.	D13/108
D686,153	S *	7/2013	Qu	D13/103
D697,867	S *	1/2014	Weinstein et al.	D13/108
2013/0193911	A1 *	8/2013	Miller et al.	320/107
2014/0042969	A1 *	2/2014	Miller et al.	320/111

\* cited by examiner

*Primary Examiner* — Rosemary K Tarcza

(74) *Attorney, Agent, or Firm* — Fulwider Patton LLP

(57) **CLAIM**

The ornamental design for a power card, as shown.

**DESCRIPTION**

FIG. 1 is a perspective view of a power card showing my new design;

FIG. 2 is a front elevational view thereof;

FIG. 3 is a rear elevational view thereof;

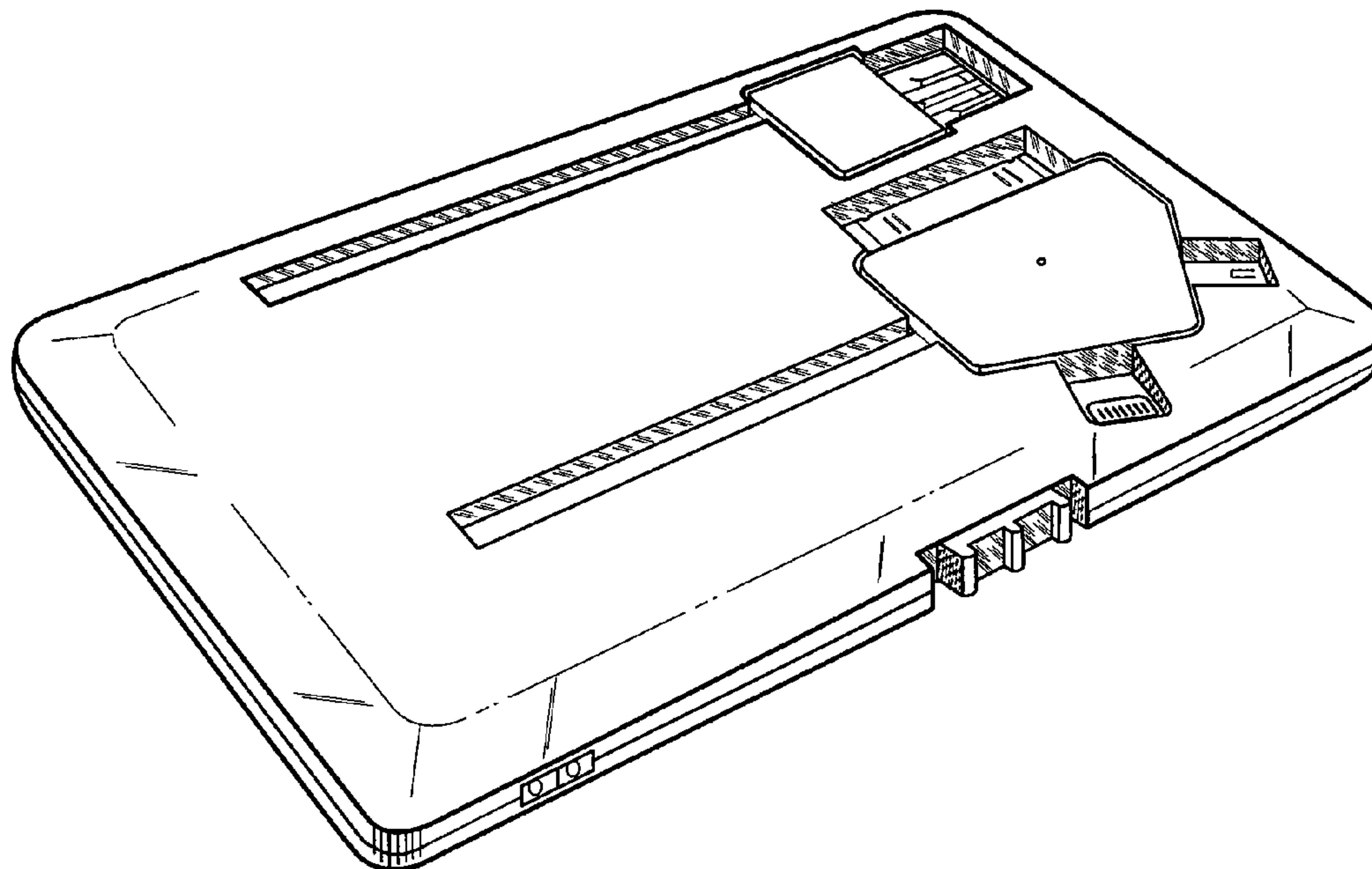
FIG. 4 is a side elevational view, the opposite side being a mirror image thereof;

FIG. 5 is a top view thereof; and,

FIG. 6 is a bottom view thereof.

Power card is an ultra-thin wallet size portable battery that gives you both emergency reserve power plus syncing ability for most mobile devices. The claimed power card is a battery operated adaptor used for charging electronic devices.

**1 Claim, 3 Drawing Sheets**



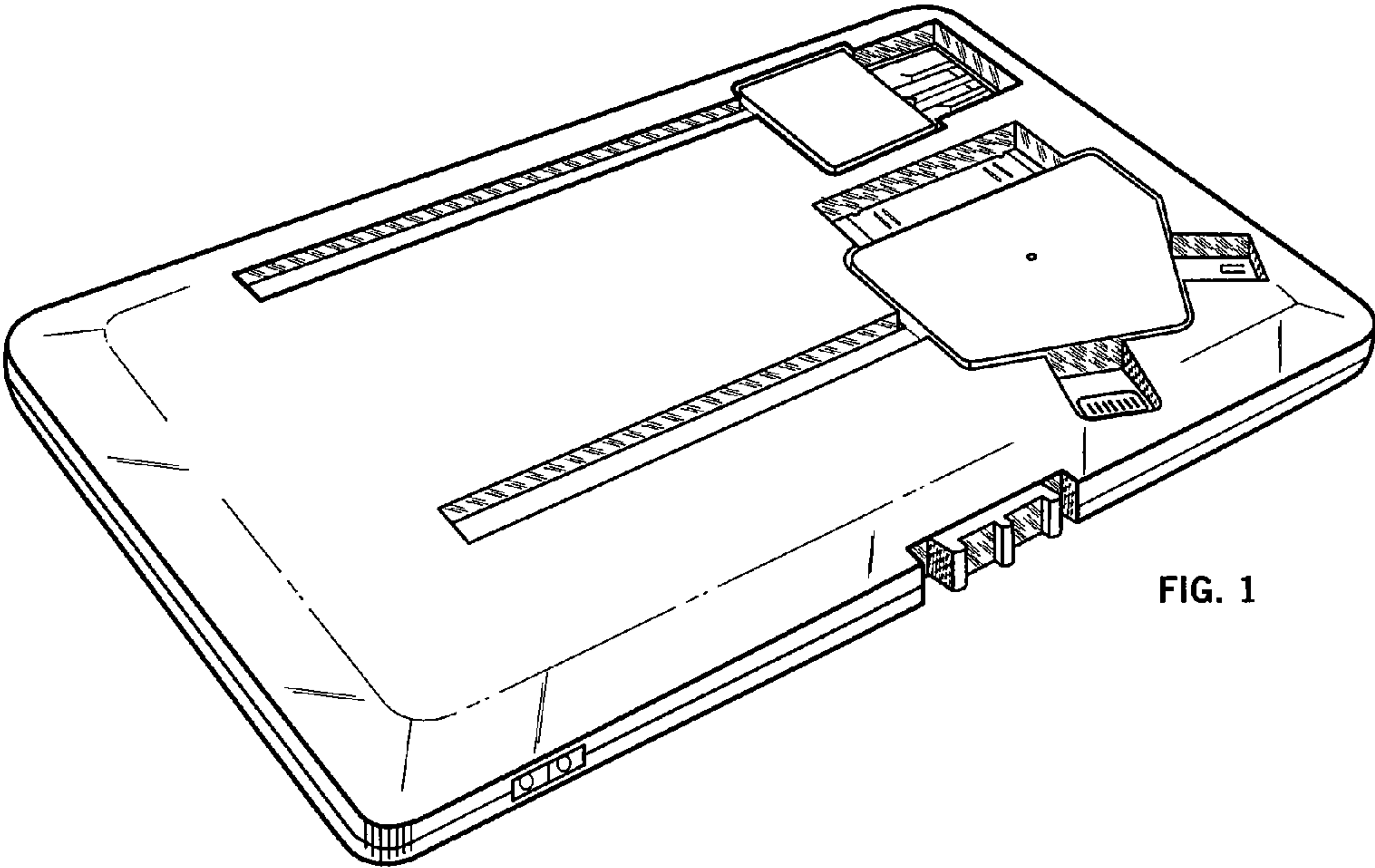


FIG. 1

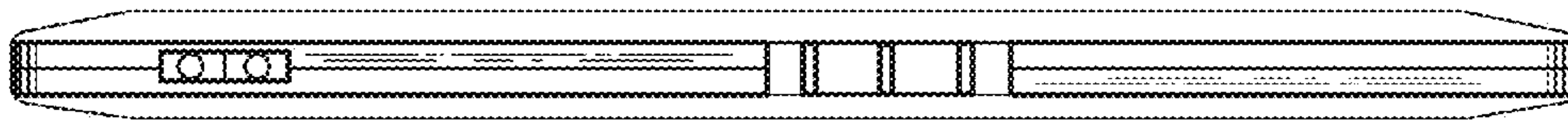


FIG. 2



FIG. 3



FIG. 4

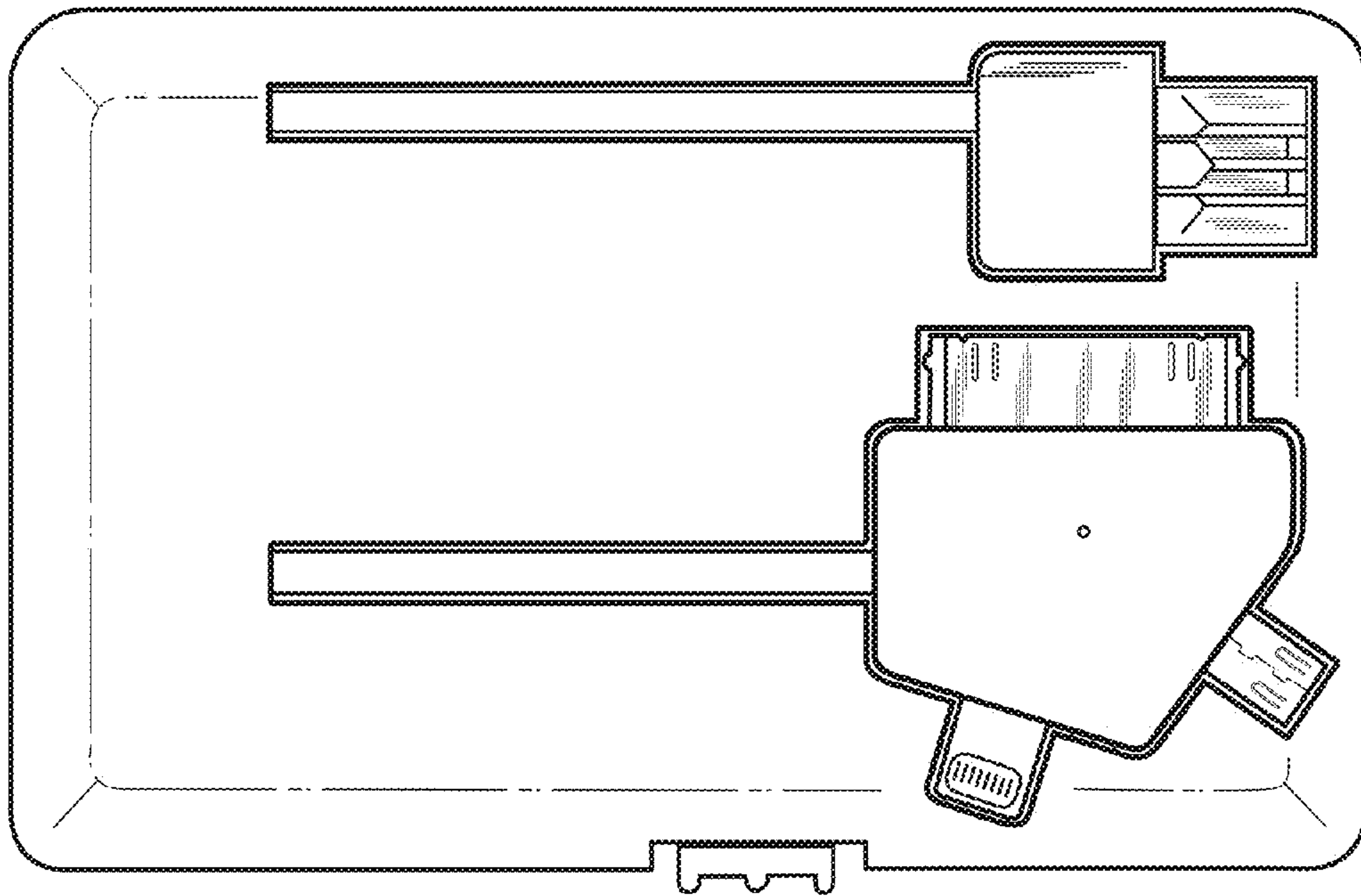


FIG. 5

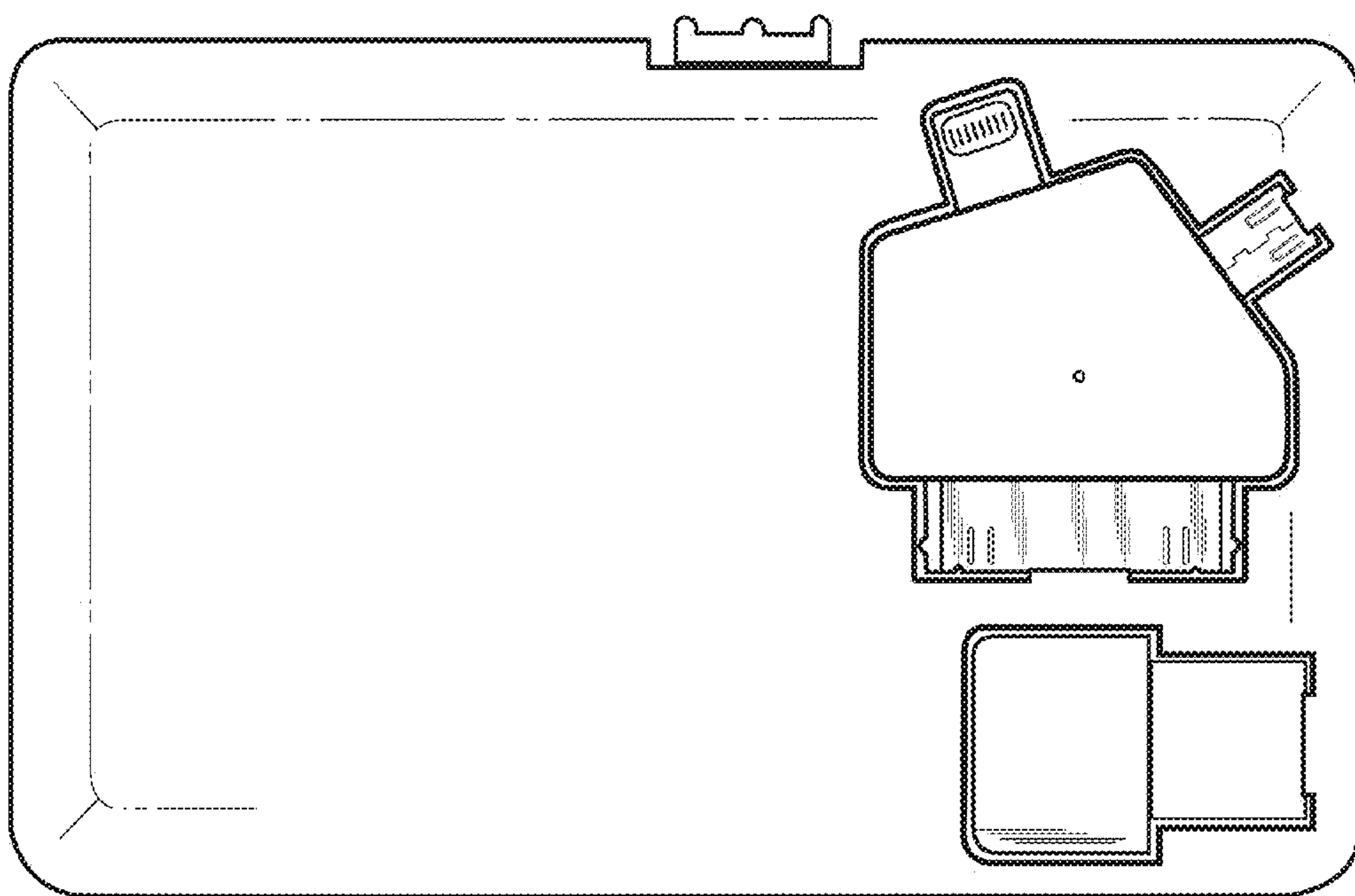


FIG. 6