



US00D713782S

(12) **United States Design Patent**
Krier et al.

(10) **Patent No.:** **US D713,782 S**

(45) **Date of Patent:** **** Sep. 23, 2014**

(54) **TIRE**
(71) Applicant: **The Goodyear Tire & Rubber Company, Akron, OH (US)**
(72) Inventors: **Jean-Julien Edouard Ghislain Krier, Bastogne (BE); Jacques Collette, Bastogne (BE); Daniel Scheuren, Arlon (BE); Christophe Henri Joseph Schyns, Rossart (BE)**

D597,479 S 8/2009 Scharis D12/586
D598,369 S 8/2009 Beha D12/602
D598,370 S 8/2009 Beha D12/602
D601,082 S * 9/2009 Cazin-Bourguignon et al. D12/583
D601,086 S 9/2009 Maus et al. D12/602
D601,488 S 10/2009 Maus et al. D12/600
D606,010 S * 12/2009 Martin et al. D12/583
D609,167 S * 2/2010 Regallis et al. D12/583
D613,676 S 4/2010 Nicolas et al. D12/567
D614,122 S 4/2010 Seibert D12/600
D619,530 S 7/2010 Murphy et al. D12/591
D622,211 S 8/2010 Maus et al. D12/579

(73) Assignee: **The Goodyear Tire & Rubber Company, Akron, OH (US)**

(**) Term: **14 Years**

(21) Appl. No.: **29/471,133**

(22) Filed: **Oct. 29, 2013**

(51) **LOC (10) Cl.** **12-15**

(52) **U.S. Cl.**
USPC **D12/583**

(58) **Field of Classification Search**
USPC D12/547-548, 568-603, 900-901;
152/209.1-209.9, 209.11-209.19,
152/209.21-209.28, 455
See application file for complete search history.

(56) **References Cited**

U.S. PATENT DOCUMENTS

D269,001 S * 5/1983 Hammond et al. D12/583
D316,065 S * 4/1991 Tsuda et al. D12/583
D336,267 S * 6/1993 Bonvini et al. D12/583
D382,518 S * 8/1997 Labbe et al. D12/583
D429,188 S * 8/2000 Schuster et al. D12/583
D499,067 S * 11/2004 Wage D12/583
D500,472 S * 1/2005 Campana et al. D12/583
D501,446 S * 2/2005 Wage D12/583
D512,684 S * 12/2005 Robert D12/602
D586,730 S 2/2009 Scheuren et al. D12/553
D589,436 S 3/2009 Beha et al. D12/579
D592,589 S 5/2009 Dixon et al. D12/600
D597,478 S 8/2009 Scheuren et al. D12/584

(Continued)

Primary Examiner — Stacia Cadmus

(74) Attorney, Agent, or Firm — Richard B. O'Planick

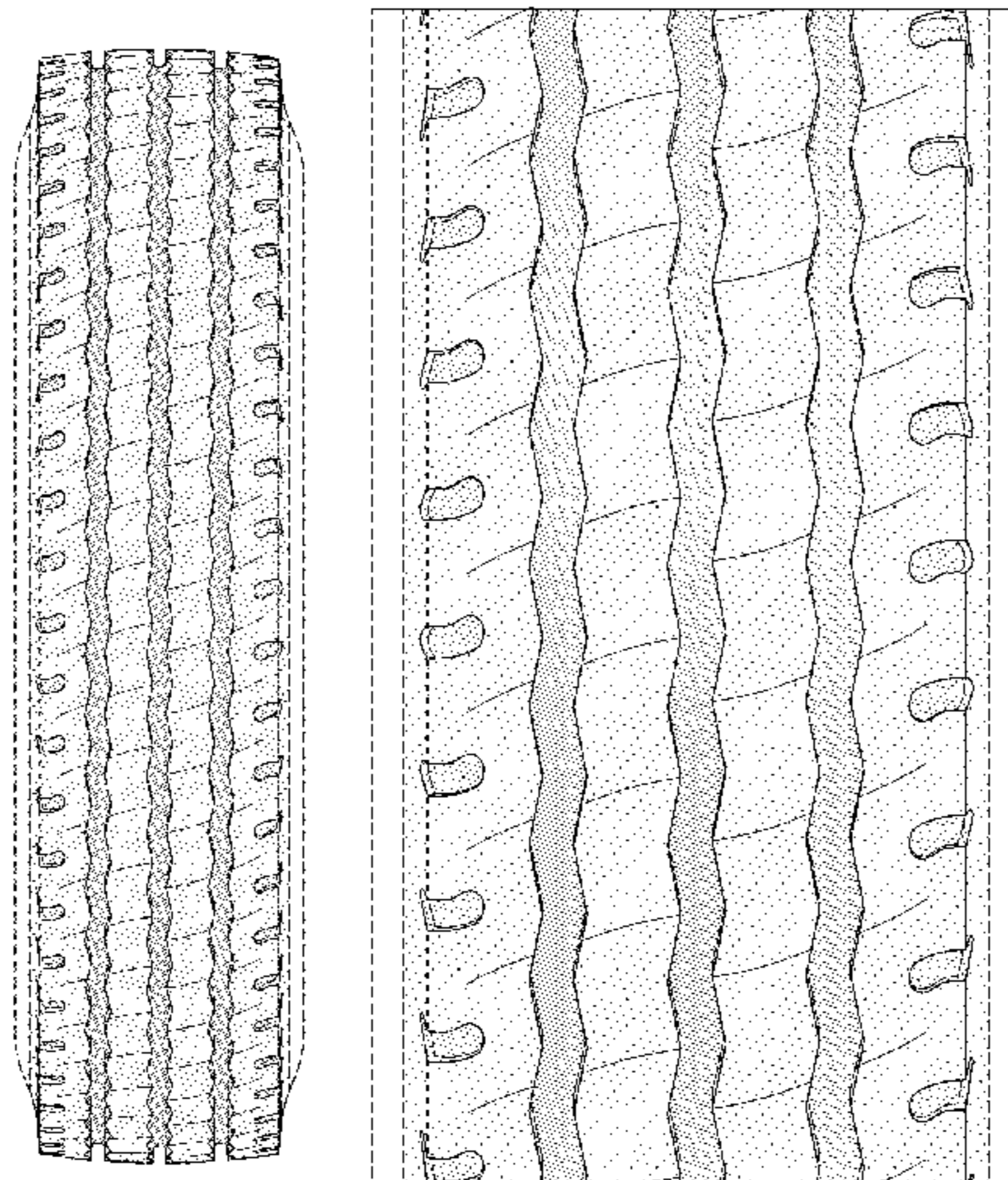
(57) **CLAIM**

The ornamental design for a tire, as shown and described.

DESCRIPTION

FIG. 1 is a perspective view of a tire showing our new design, it being understood that the pattern repeats uniformly throughout the circumference of the tread;
FIG. 2 is a front elevational view thereof;
FIG. 3 is a right side elevational view thereof; the opposite side elevational view being identical thereto;
FIG. 4 is an enlarged fragmentary front elevational view thereof;
FIG. 5 is a perspective view of a second embodiment of a tire showing our new design, it being understood that the pattern repeats uniformly throughout the circumference of the tread and that the opposite side view is identical thereto; and,
FIG. 6 is a front elevational view of a second embodiment, it being understood that an enlarged fragmentary view thereof would be substantially identical to that shown in FIG. 4, with the exception of the inclusion of the sidewall in solid lines.
In the drawings, the broken lines showing of the sidewall, inner bead and the peripheral boundary between the tire tread and the sidewall in FIGS. 1 through 4 depict environmental subject matter and form no part of the claimed design.

1 Claim, 6 Drawing Sheets



(56)

References Cited

U.S. PATENT DOCUMENTS

D627,707 S	11/2010	Le et al.	D12/566	D642,511 S	8/2011	Strader et al.	D12/587
D628,955 S	12/2010	Toumni et al.	D12/588	D645,810 S	9/2011	Le et al.	D12/600
D631,002 S	1/2011	Cazin-Bourguignon et al.	D12/602	D656,088 S	3/2012	Krier et al.	D12/591
D632,245 S *	2/2011	Audigier et al.	D12/583	D662,457 S	6/2012	Krier et al.	D12/588
D637,142 S	5/2011	Nicolas et al.	D12/579	D667,364 S	9/2012	Krier et al.	D12/586
D637,152 S	5/2011	Maus et al.	D12/602	D674,742 S	1/2013	Krier et al.	D12/598
D641,314 S	7/2011	Strader et al.	D12/602	D677,616 S *	3/2013	Nobunaga	D12/583
				D678,831 S	3/2013	Hermann et al.	D12/579
				D694,173 S *	11/2013	Takada	D12/583
				D700,883 S *	3/2014	Sareen	D12/582

* cited by examiner

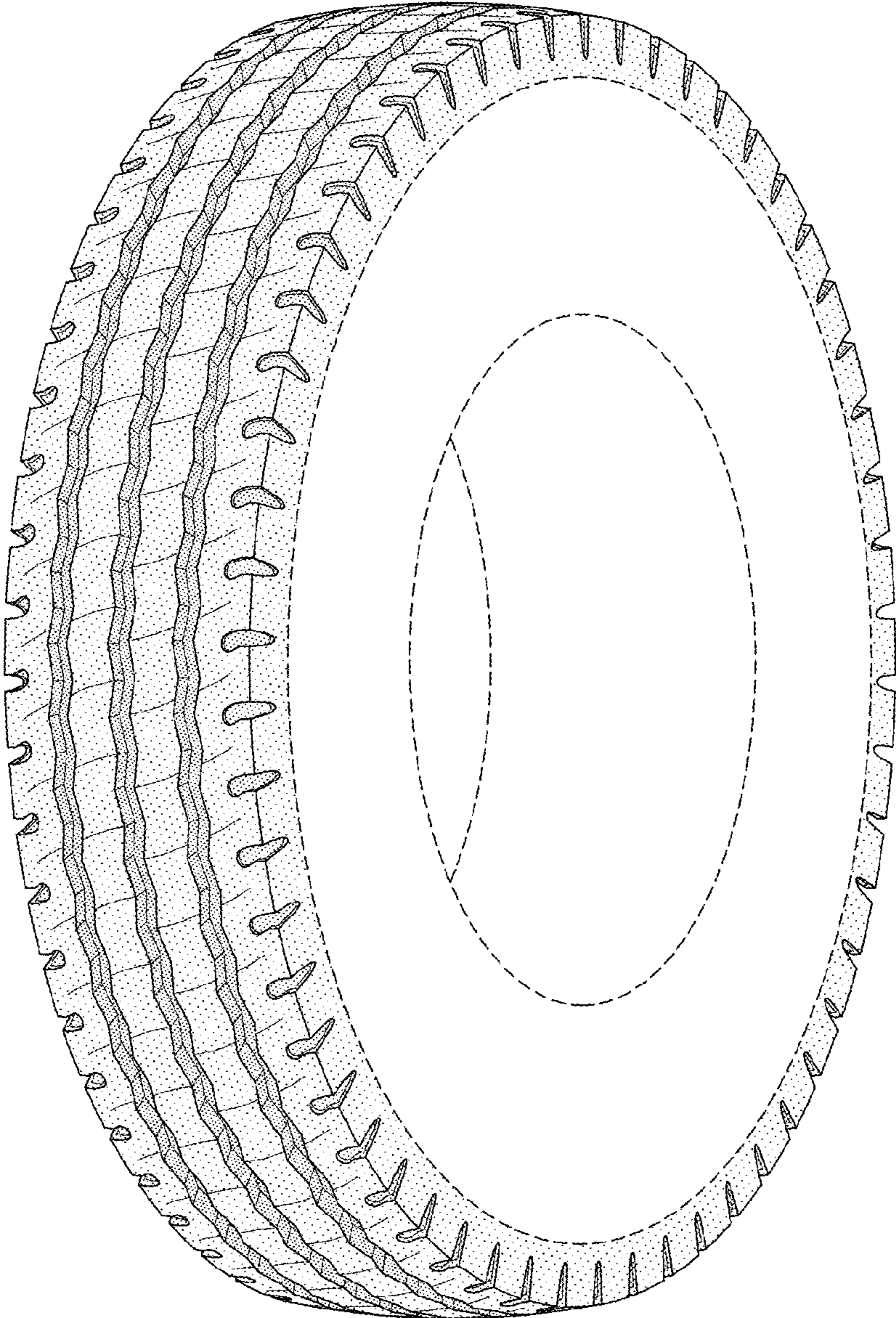


FIG-1

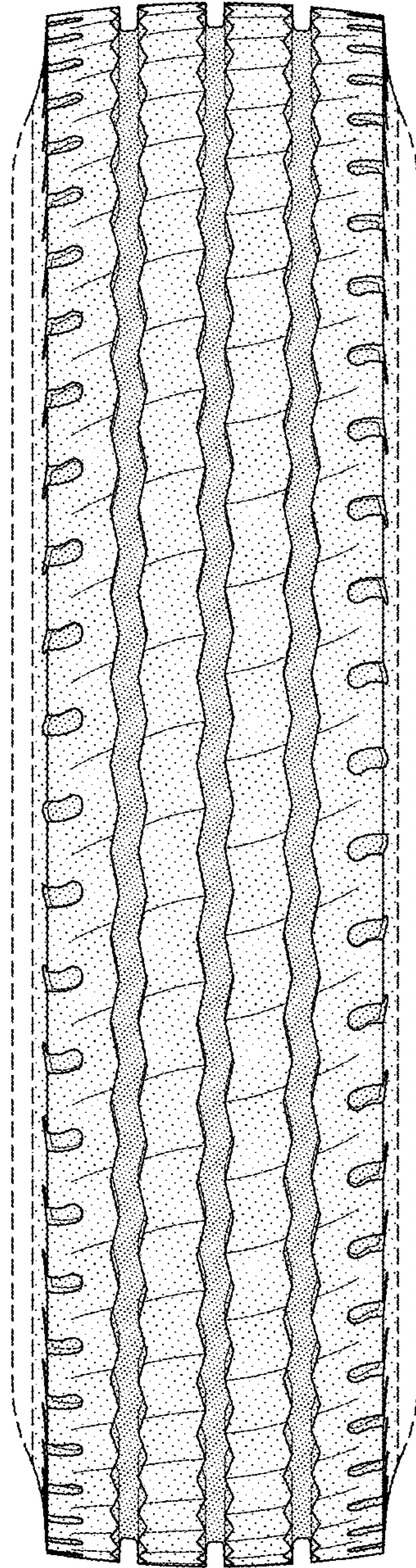


FIG-2

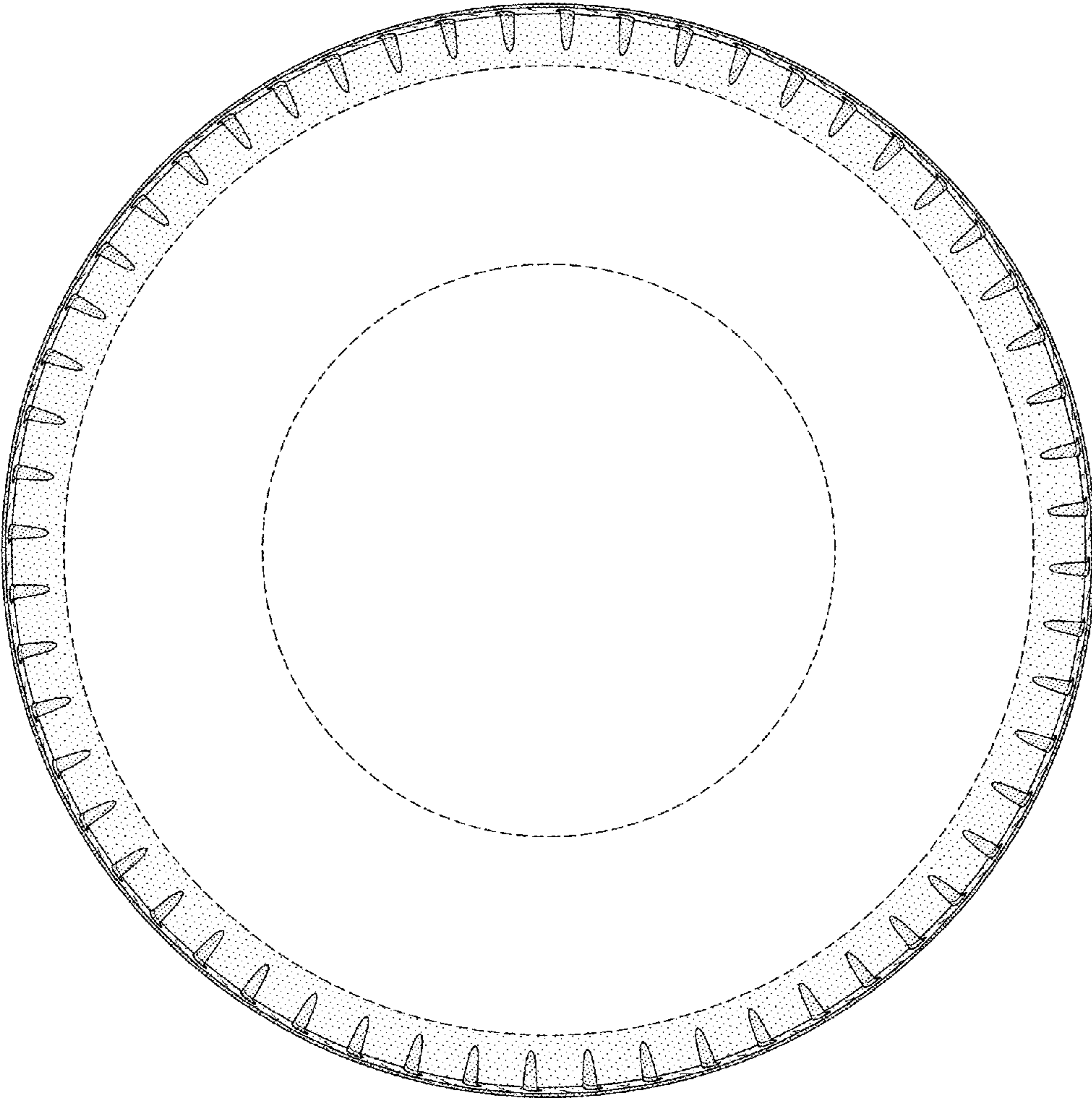


FIG-3

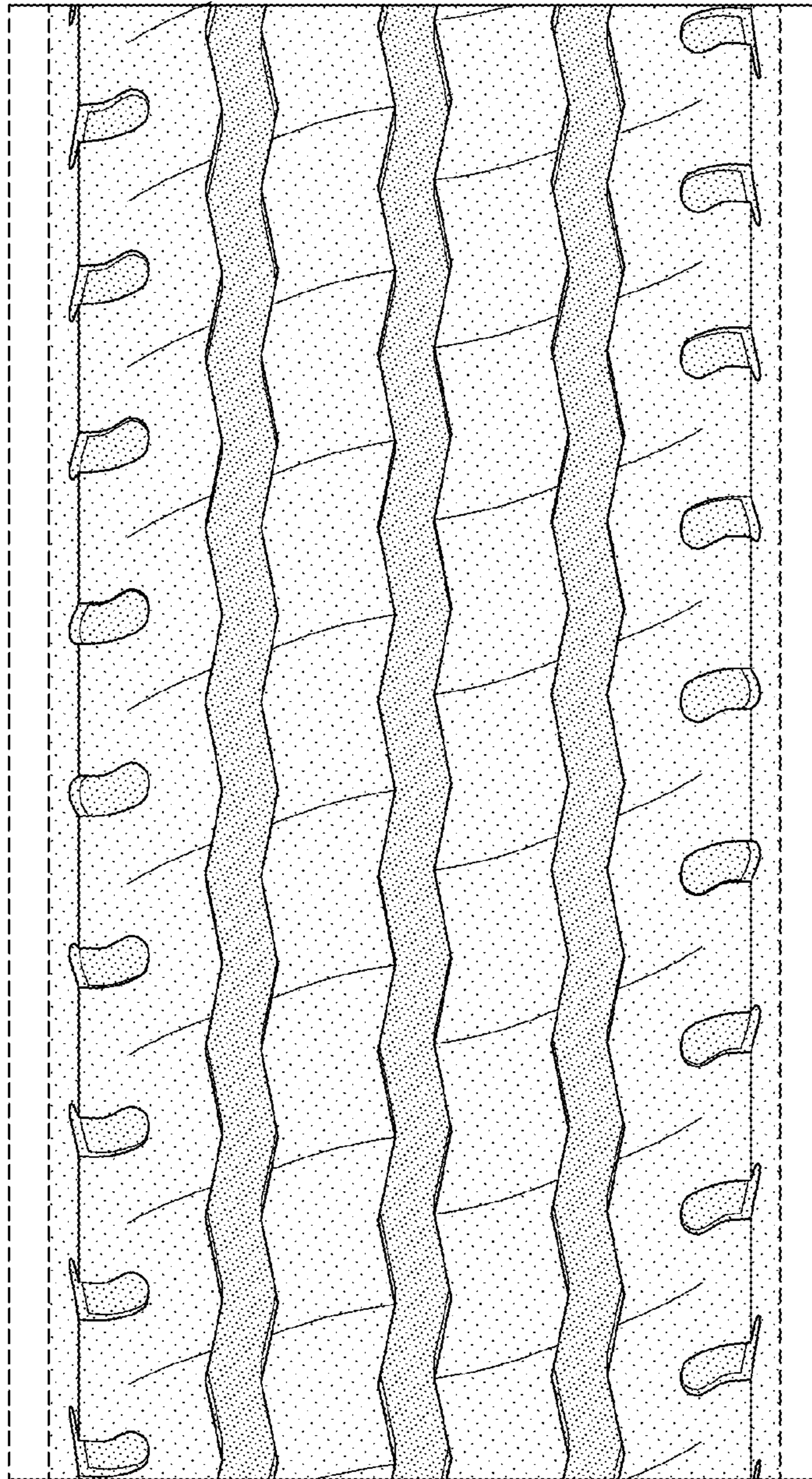


FIG-4

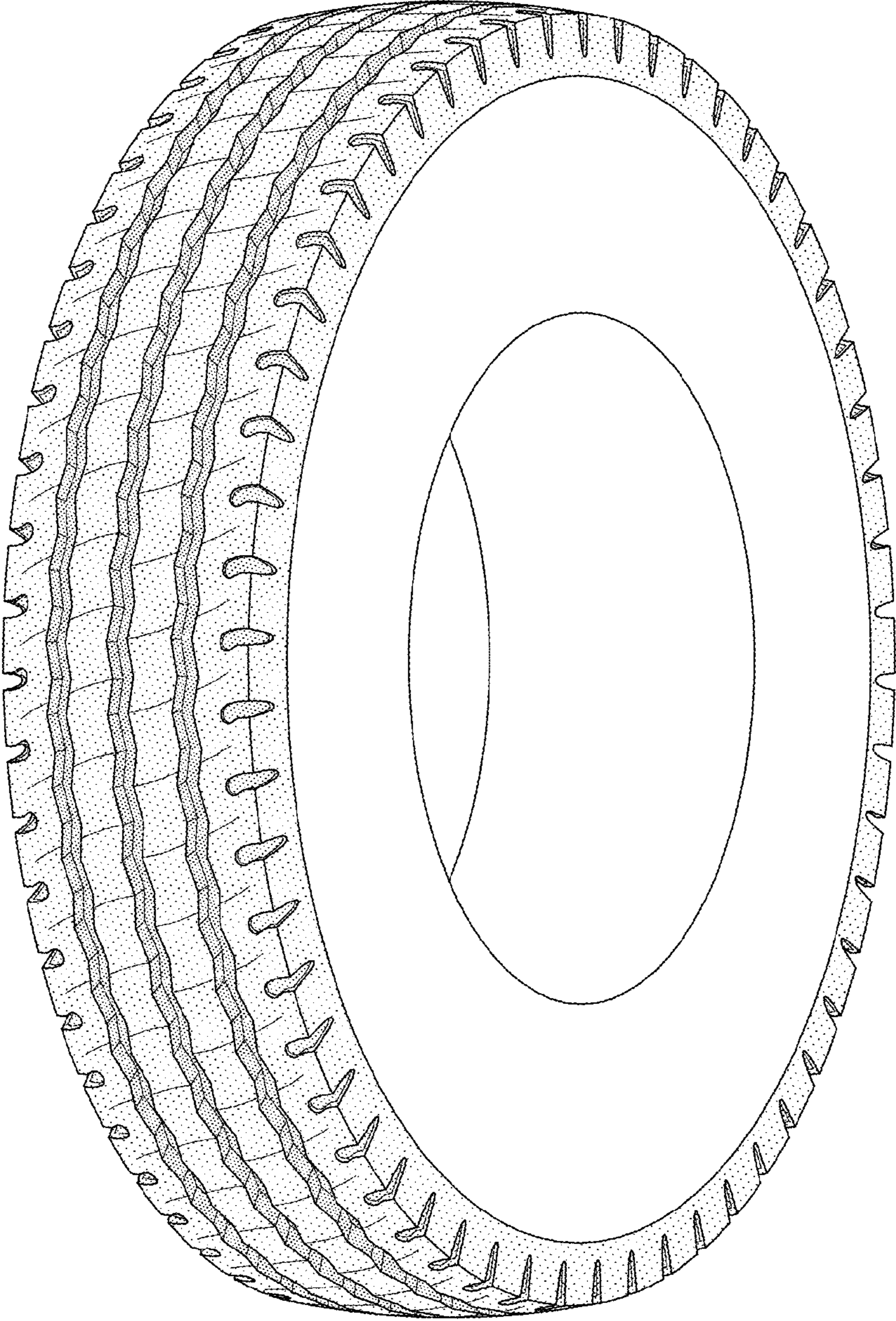


FIG-5

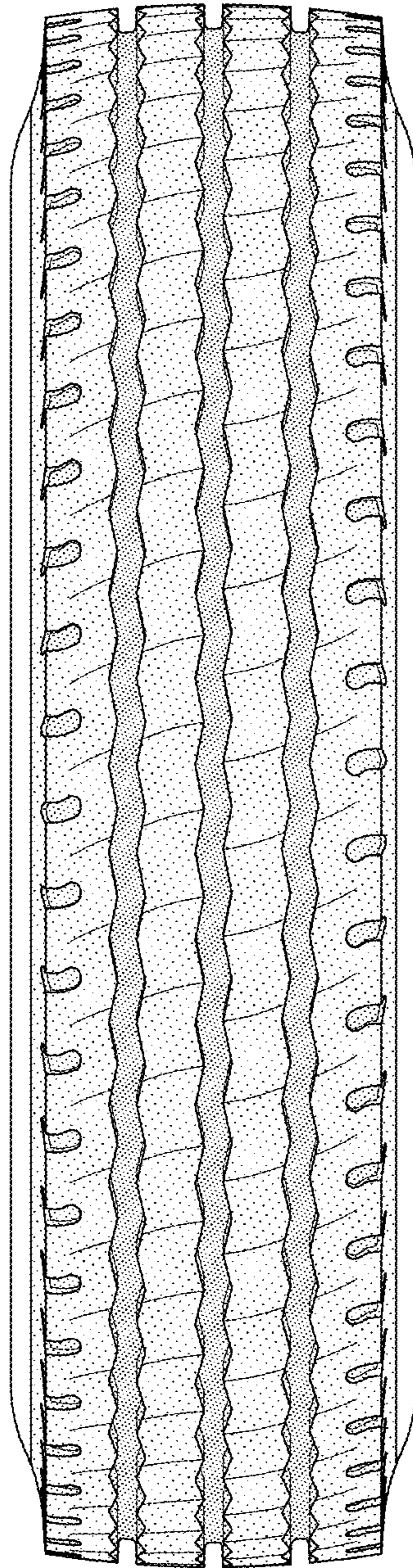


FIG-6