



US00D713775S

(12) **United States Design Patent**
Lagermann

(10) **Patent No.:** **US D713,775 S**
(45) **Date of Patent:** **** Sep. 23, 2014**

- (54) **UTILITY TASK VEHICLE RACK**
- (71) Applicant: **James H. Lagermann**, Arnold, MO
(US)
- (72) Inventor: **James H. Lagermann**, Arnold, MO
(US)
- (**) Term: **14 Years**
- (21) Appl. No.: **29/450,144**
- (22) Filed: **Mar. 15, 2013**
- (51) **LOC (10) Cl.** **12-16**
- (52) **U.S. Cl.**
USPC **D12/406**
- (58) **Field of Classification Search**
USPC D12/401-414; 280/814; 296/140;
224/309, 327, 328, 321, 401, 402, 488,
224/493, 315
See application file for complete search history.

7,325,848	B2	2/2008	Joseph et al.	
7,513,545	B2	4/2009	Joseph et al.	
D593,927	S *	6/2009	Walton et al.	D12/406
7,854,460	B2	12/2010	Tweet et al.	
D638,344	S *	5/2011	Mulanon et al.	D12/406
8,096,582	B2	1/2012	Longwell et al.	
D660,748	S *	5/2012	Cooley	D12/101
D691,518	S *	10/2013	Monia et al.	D12/101
2002/0070255	A1	6/2002	Hebert et al.	
2005/0205628	A1	9/2005	Lehmann	
2006/0186156	A1	8/2006	Harycki et al.	
2007/0175937	A1	8/2007	Caldwell	
2011/0259931	A1	10/2011	Rellergert	

* cited by examiner

Primary Examiner — Katrina A Betton
(74) *Attorney, Agent, or Firm* — Kevin L. Klug

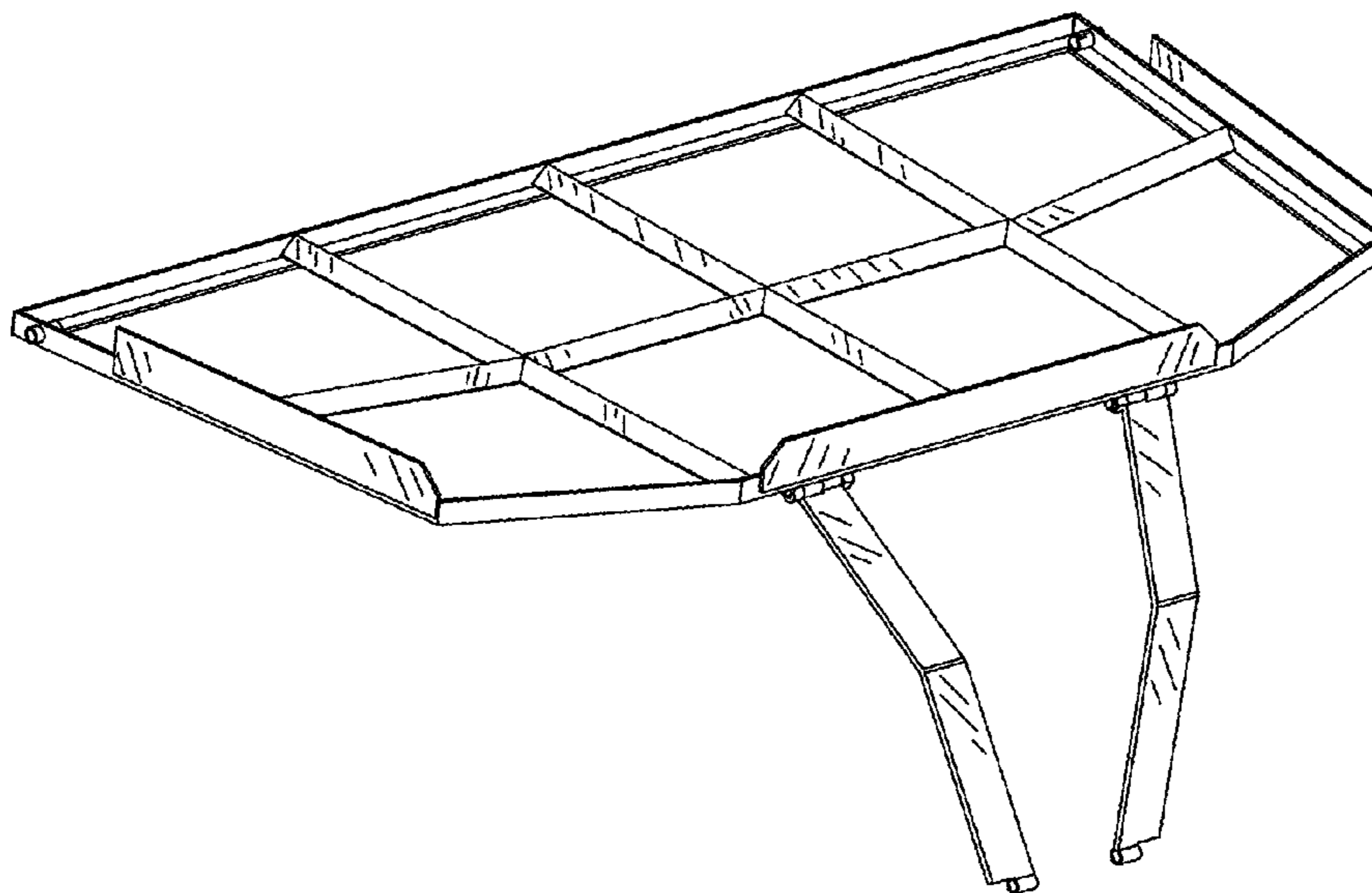
(57) **CLAIM**
The ornamental design for a utility task vehicle rack, as shown and described.

DESCRIPTION

FIG. 1 is a front left perspective view of a utility task vehicle rack;
FIG. 2 is a front left perspective view thereof;
FIG. 3 is a bottom right perspective view thereof;
FIG. 4 is a top plan view thereof;
FIG. 5 is a front elevation view thereof;
FIG. 6 is a right elevation view thereof;
FIG. 7 is a left elevation view thereof;
FIG. 8 is a bottom plan view thereof; and,
FIG. 9 is a rear elevation view thereof.

1 Claim, 9 Drawing Sheets

- (56) **References Cited**
U.S. PATENT DOCUMENTS
- | | | | | |
|-----------|-----|---------|----------------|---------|
| D229,688 | S * | 12/1973 | Feth | D12/195 |
| 4,247,030 | A | 1/1981 | Amacker | |
| 6,126,052 | A | 10/2000 | Toivola | |
| D458,579 | S * | 6/2002 | Adams et al. | D12/406 |
| D459,287 | S * | 6/2002 | Beard et al. | D12/406 |
| 6,732,892 | B1 | 5/2004 | Mangrum | |
| D505,106 | S * | 5/2005 | Kuseske et al. | D12/406 |
| D508,014 | S * | 8/2005 | Heravi | D12/406 |
| D528,965 | S * | 9/2006 | Wang | D12/406 |



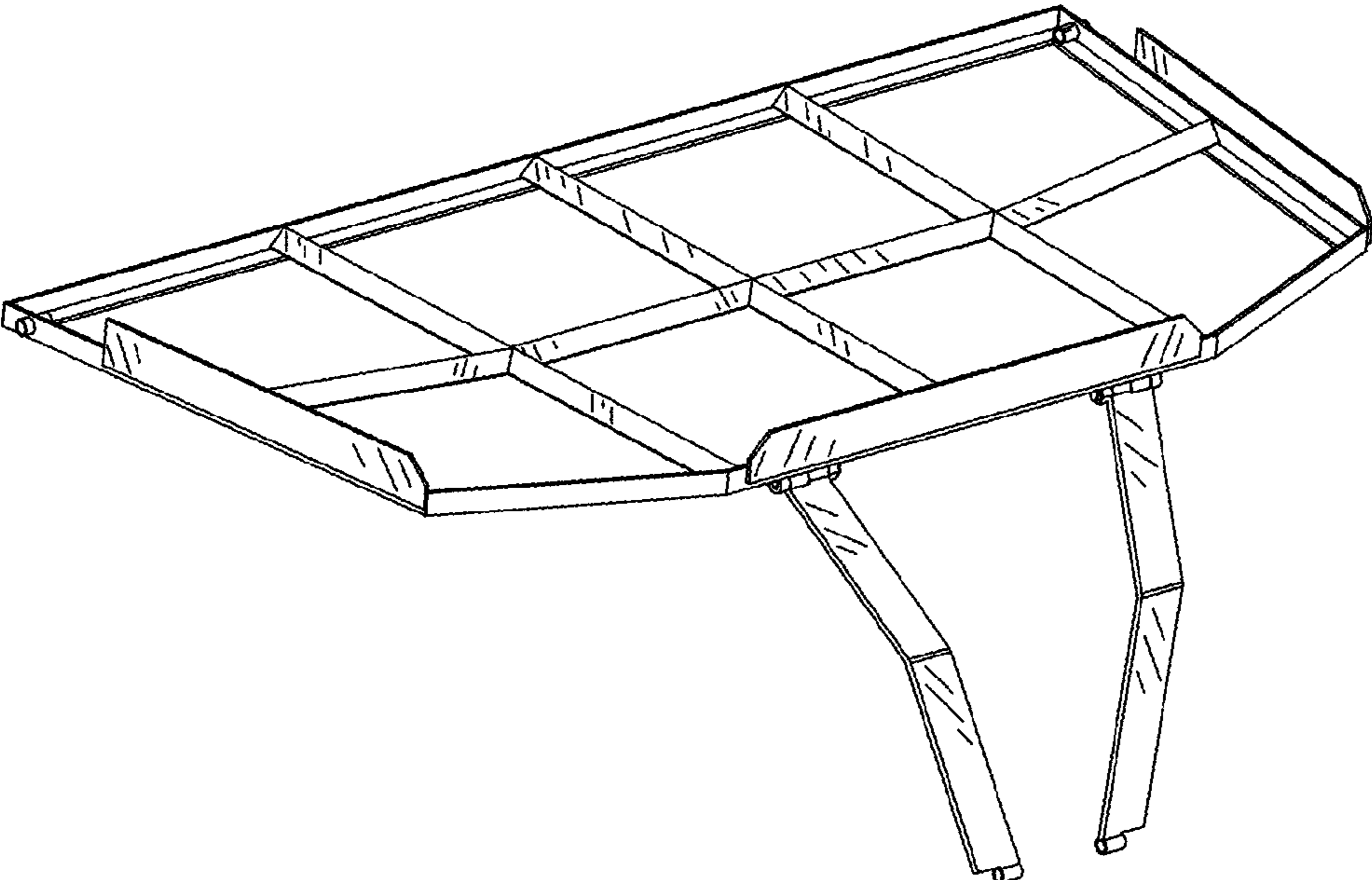


FIG. 1

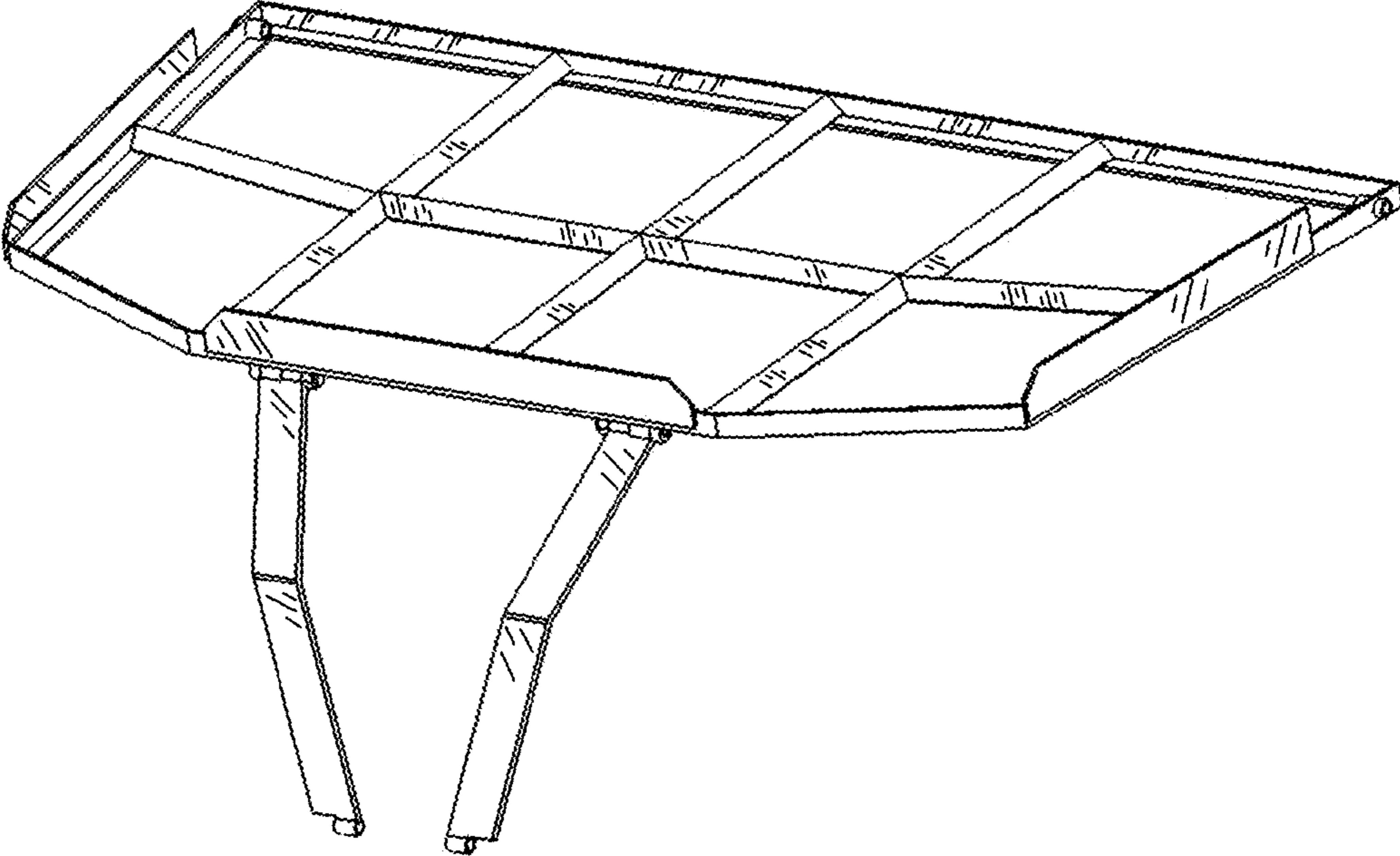


FIG. 2

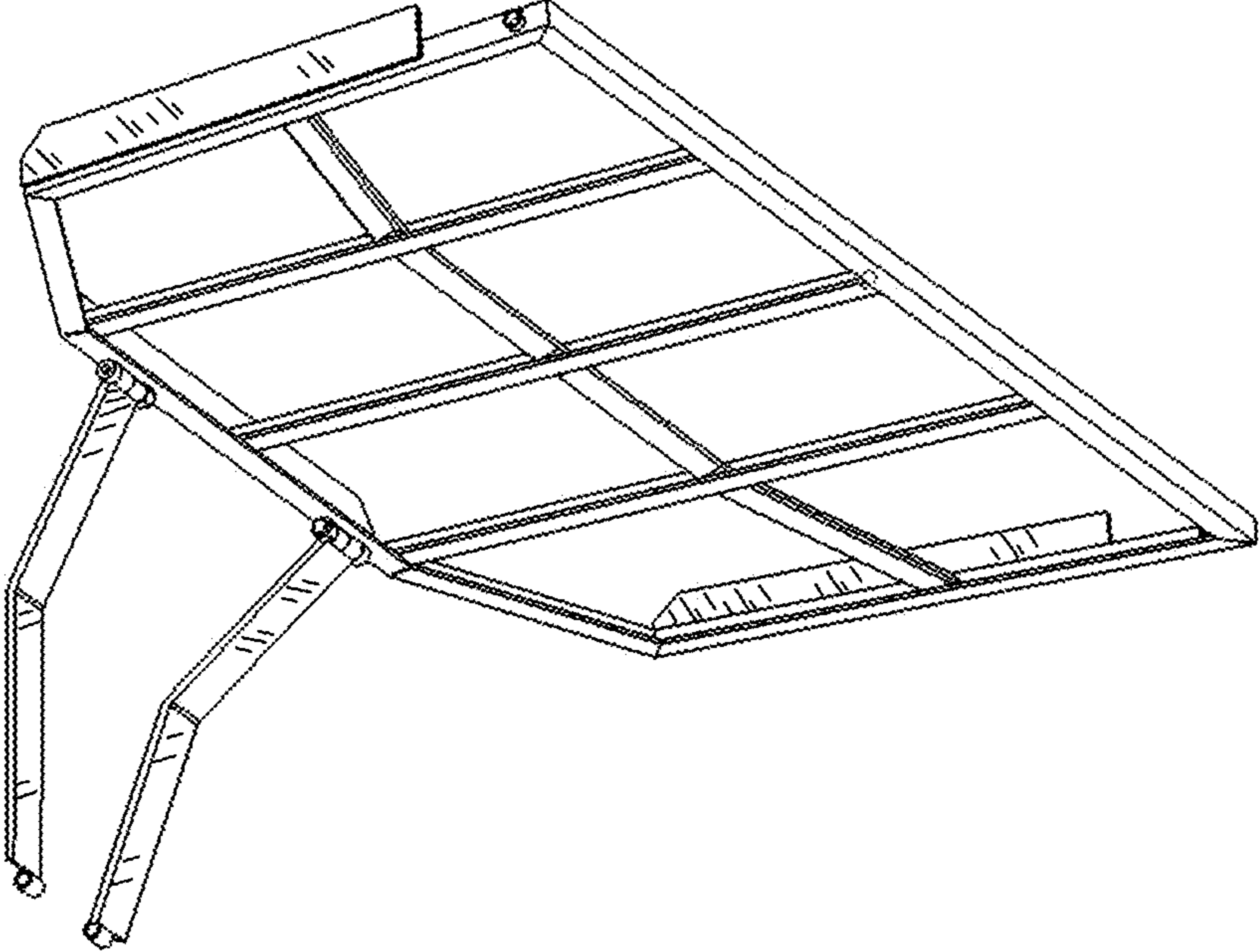


FIG. 3

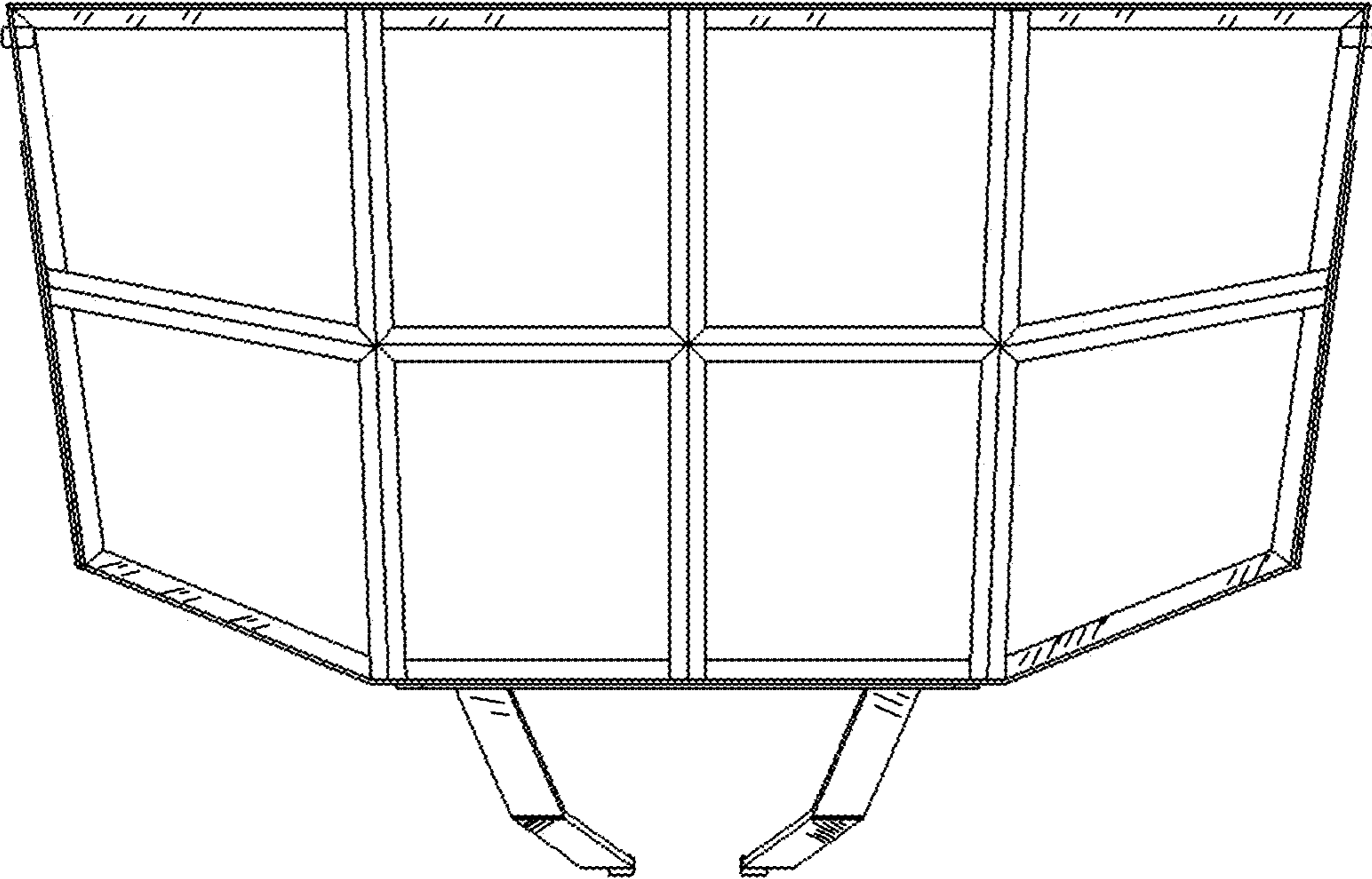


FIG. 4

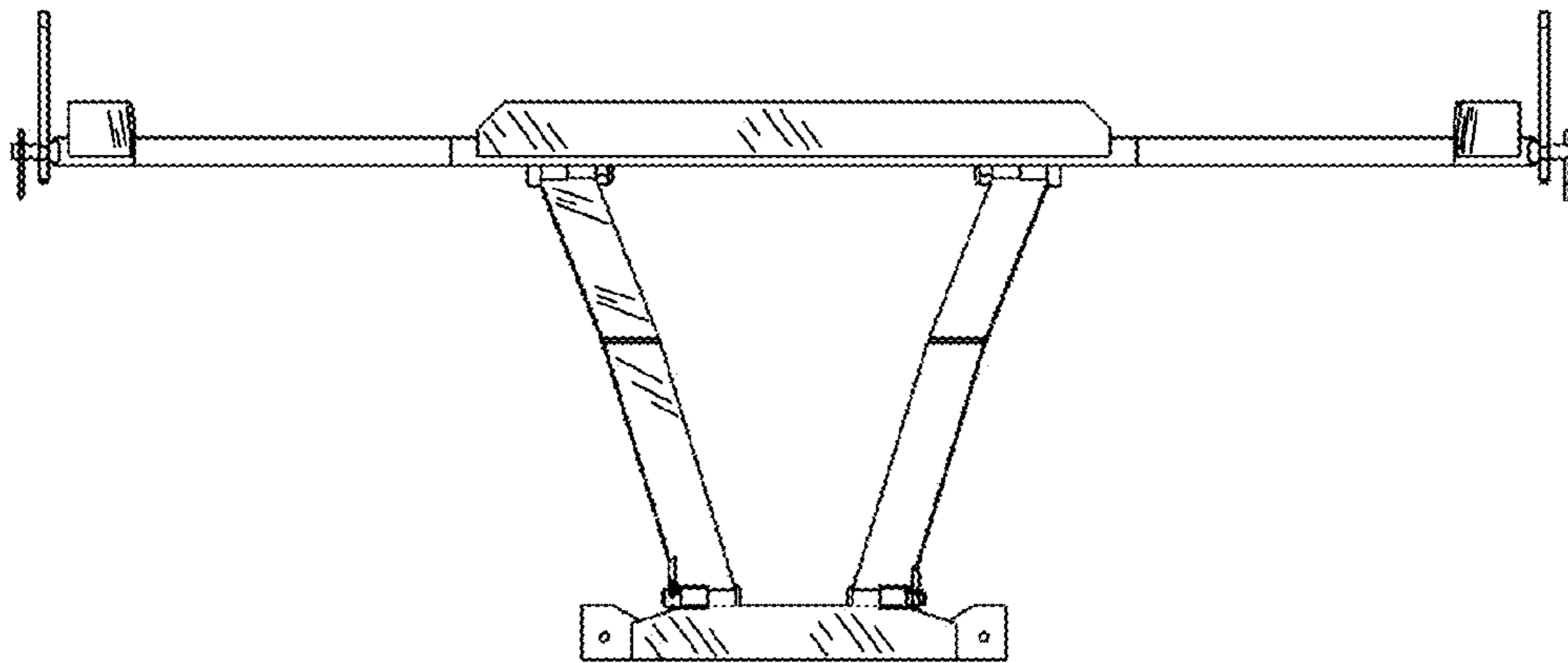


FIG. 5

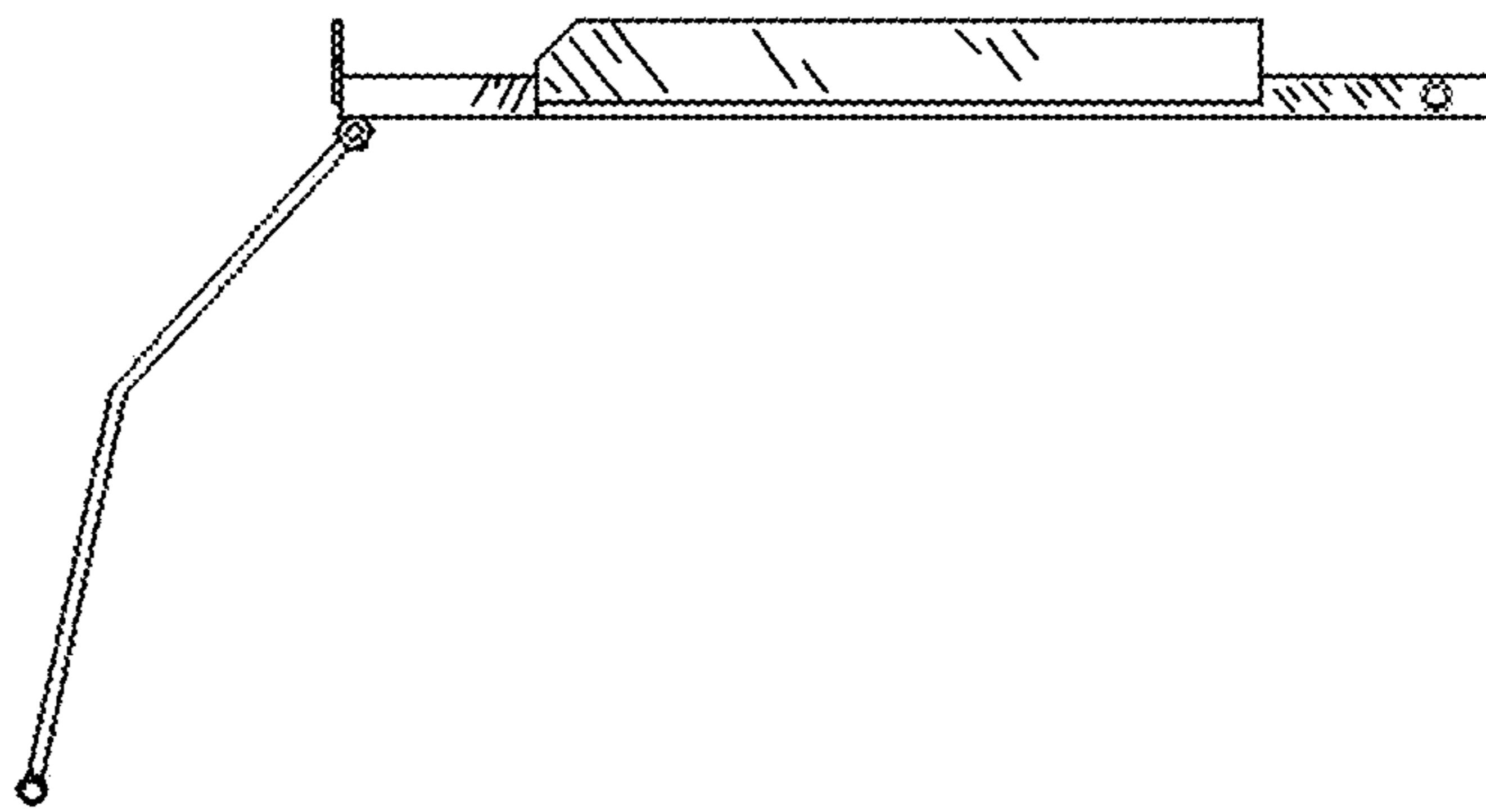


FIG. 6

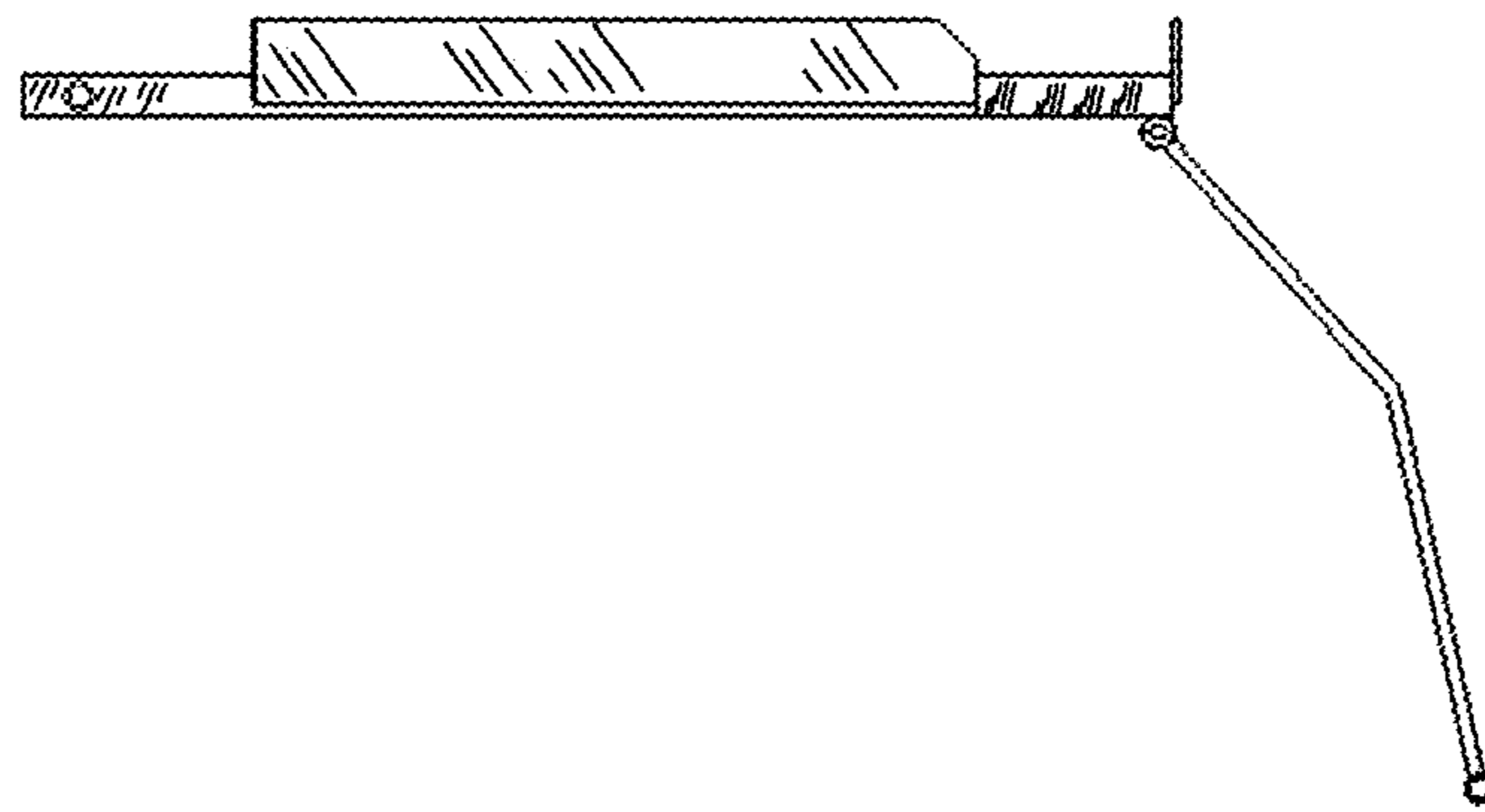


FIG. 7

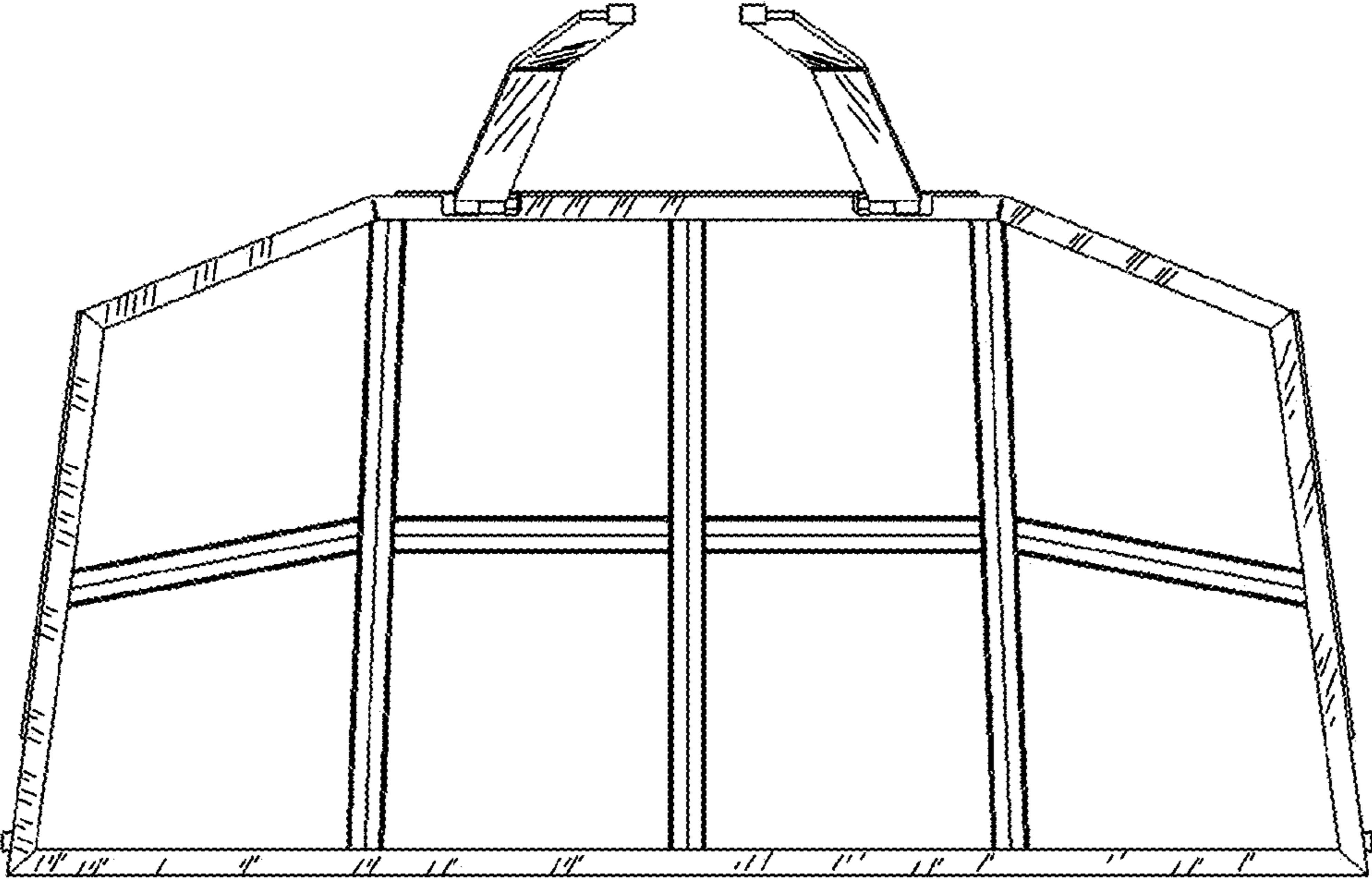


FIG. 8

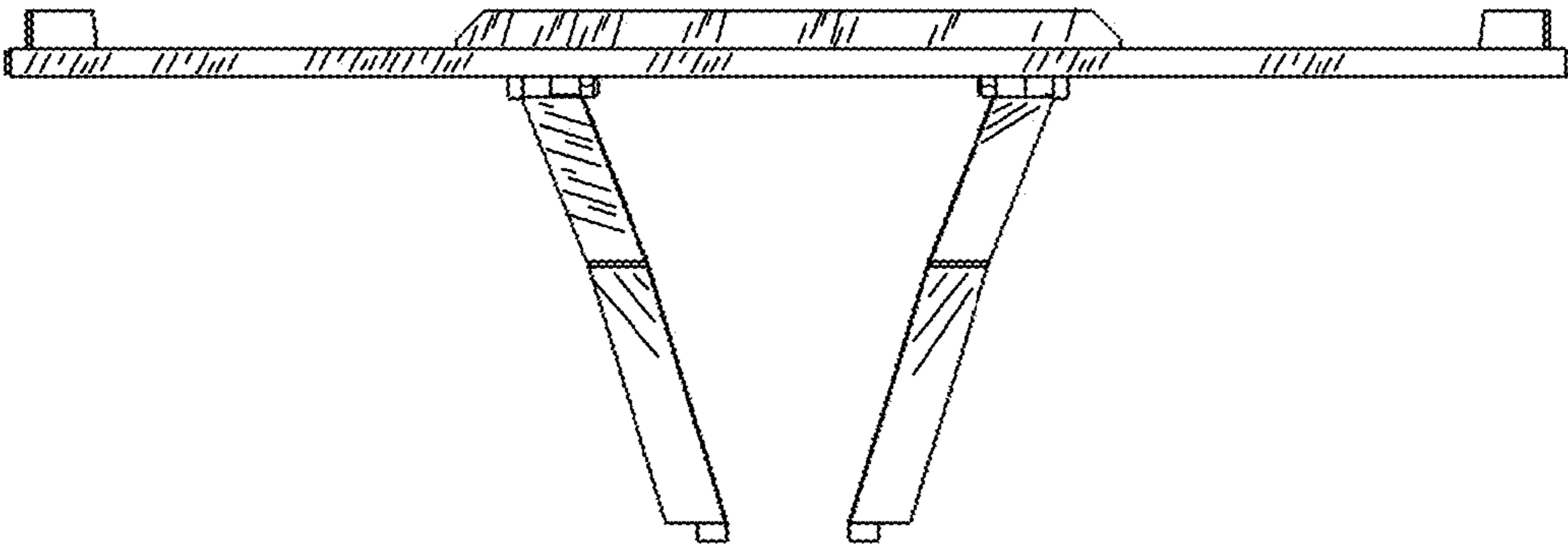


FIG. 9