



US00D713772S

(12) **United States Design Patent**
Ziaylek et al.

(10) **Patent No.:** **US D713,772 S**
(45) **Date of Patent:** **** Sep. 23, 2014**

(54) **AUTOMATED RETRACTABLE STEP
APPARATUS UTILIZING OVER-CENTER
LOCKING MECHANISM**

(75) Inventors: **Michael P. Ziaylek**, Yardley, PA (US);
W. Brian McGinty, Huntingdon Valley,
PA (US)

(73) Assignee: **Michael P. Ziaylek**, Yardley, PA (US)

(**) Term: **14 Years**

(21) Appl. No.: **29/421,564**

(22) Filed: **Aug. 16, 2012**

(51) **LOC (10) Cl.** **12-16**

(52) **U.S. Cl.**
USPC **D12/203**

(58) **Field of Classification Search**
CPC E06C 1/005; E06C 1/02; E06C 1/04;
E06C 1/08; E06C 1/14; E06C 1/16; E06C
1/381; E06C 1/3835; E06C 1/393; E06C 5/00;
E06C 5/02; E06C 5/04; E06C 5/32
USPC D12/89, 203, 314; 182/64.1, 127;
280/5.3, 163, 164.2, 166, 169, 291;
D25/62, 63, 68, 69

See application file for complete search history.

(56) **References Cited**

U.S. PATENT DOCUMENTS

438,021 A	10/1890	Robbins	
1,494,295 A *	5/1924	Smith	105/448
2,118,557 A	5/1938	Hamilton	
2,146,668 A	2/1939	Baade	
2,226,717 A	12/1940	Haessler	
2,492,068 A	12/1949	Schofield et al.	
3,229,993 A	1/1966	Riddle	
3,329,443 A	7/1967	Lowder et al.	
3,408,959 A	11/1968	Cripe et al.	
3,507,515 A *	4/1970	Brammer	280/166
3,572,754 A	3/1971	Fowler	
3,645,557 A	2/1972	Aldropp et al.	

3,751,068 A	8/1973	Green	
3,756,622 A *	9/1973	Pyle et al.	D12/203
3,771,815 A	11/1973	Bridges	
3,807,758 A	4/1974	Rogge	
3,833,240 A	9/1974	Weiler	
3,861,713 A	1/1975	McKee	
3,887,217 A	6/1975	Thomas	
D239,378 S *	3/1976	Stecker, Sr.	D12/203
4,017,093 A *	4/1977	Stecker, Sr.	280/163
4,020,920 A	5/1977	Abbott	
4,073,502 A	2/1978	Frank et al.	
4,106,790 A	8/1978	Weiler	
4,110,673 A	8/1978	Magy et al.	
4,180,143 A	12/1979	Clugston	
4,185,849 A	1/1980	Jaeger	
4,198,070 A *	4/1980	Weiler	280/166
4,200,303 A	4/1980	Kelly	

(Continued)

Primary Examiner — Deanna L Pratt

Assistant Examiner — Natasha Vujcic

(74) *Attorney, Agent, or Firm* — Sperry, Zoda & Kane

(57) **CLAIM**

The ornamental design for an automated retractable step apparatus utilizing over-center locking mechanism, as shown.

DESCRIPTION

FIG. 1 is a front three-quarter perspective of the automated retractable step apparatus utilizing over-center locking mechanism viewed from the front right embodying our new design;

FIG. 2 is an illustration of the embodiment shown in FIG. 1 in a three-quarter lower rear perspective;

FIG. 3 is a front plan view;

FIG. 4 is a rear plan view;

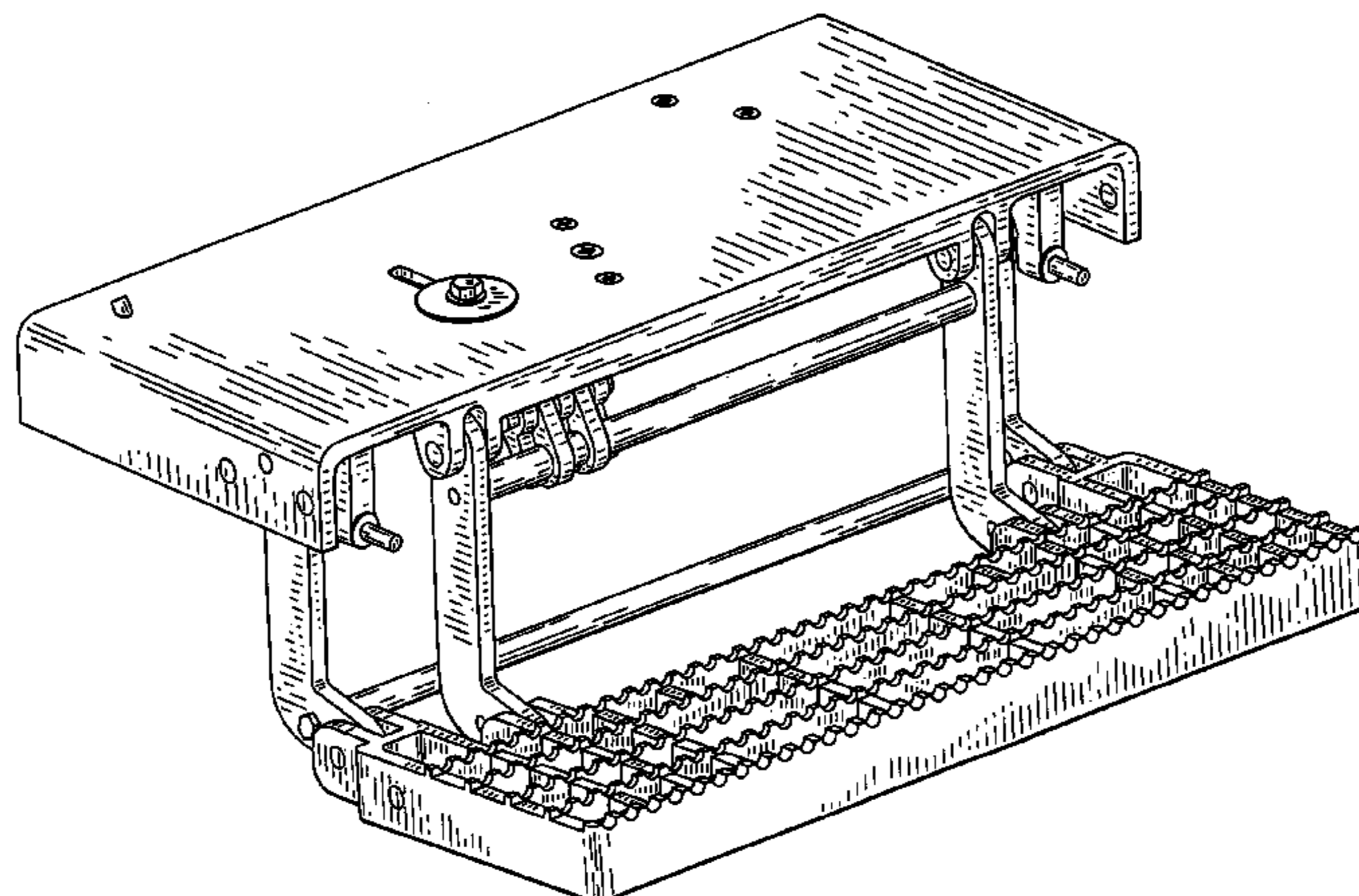
FIG. 5 is a right side plan view;

FIG. 6 is a left side plan view;

FIG. 7 is a bottom plan view; and,

FIG. 8 is a top plan view.

1 Claim, 7 Drawing Sheets



(56)

References Cited

U.S. PATENT DOCUMENTS

4,249,634	A *	2/1981	Potts	280/166	6,834,875	B2	12/2004	Leitner et al.
4,274,648	A	6/1981	Robins		6,938,909	B2	9/2005	Leitner
4,312,515	A	1/1982	Allori		6,942,233	B2	9/2005	Leitner et al.
4,412,686	A	11/1983	Fagrell		7,007,961	B2	3/2006	Leitner et al.
4,440,364	A	4/1984	Cone et al.		7,055,839	B2	6/2006	Leitner
4,623,160	A	11/1986	Trudell		7,163,221	B2	1/2007	Leitner
4,679,810	A	7/1987	Kimball		7,168,722	B1	1/2007	Piotrowski et al.
4,708,355	A	11/1987	Tiede		7,219,911	B2	5/2007	Sukonthapanich et al.
4,930,797	A *	6/1990	Parrill	280/166	7,367,574	B2	5/2008	Leitner
4,982,974	A	1/1991	Guidry		7,380,807	B2	6/2008	Leitner
5,085,450	A	2/1992	DeHart, Sr.		7,398,985	B2	7/2008	Leitner et al.
5,228,707	A	7/1993	Yoder		7,413,204	B2	8/2008	Leitner
5,342,073	A	8/1994	Poole		7,469,916	B2	12/2008	Watson
5,498,012	A	3/1996	McDaniel et al.		7,503,572	B2	3/2009	Park et al.
5,501,475	A *	3/1996	Bundy	280/163	7,566,064	B2	7/2009	Leitner et al.
5,538,269	A	7/1996	McDaniel et al.		7,584,975	B2	9/2009	Leitner
5,547,040	A	8/1996	Hanser et al.		7,677,584	B2	3/2010	Raley et al.
5,842,709	A	12/1998	Maccabee		7,766,357	B2 *	8/2010	Arvanites 280/166
5,941,342	A *	8/1999	Lee	280/166	7,823,896	B2	11/2010	VanBelle et al.
5,957,237	A	9/1999	Tigner		7,841,609	B2	11/2010	Okada et al.
6,135,472	A	10/2000	Wilson et al.		7,934,737	B2	5/2011	Okada et al.
6,213,486	B1	4/2001	Kunz et al.		7,967,311	B2	6/2011	Phillips
6,641,158	B2	11/2003	Leitner		8,246,063	B1 *	8/2012	Rowland et al. 280/163
6,655,706	B1	12/2003	Murrell		2003/0070875	A1 *	4/2003	Medsker 182/91
6,685,204	B1	2/2004	Hehr		2008/0157500	A1 *	7/2008	Raley et al. 280/166
6,830,257	B2	12/2004	Leitner		2009/0189365	A1 *	7/2009	Ferguson et al. 280/166
					2013/0154230	A1 *	6/2013	Ziaylek et al. 280/166
					2014/0123910	A1 *	5/2014	Rorke et al. 119/849

* cited by examiner

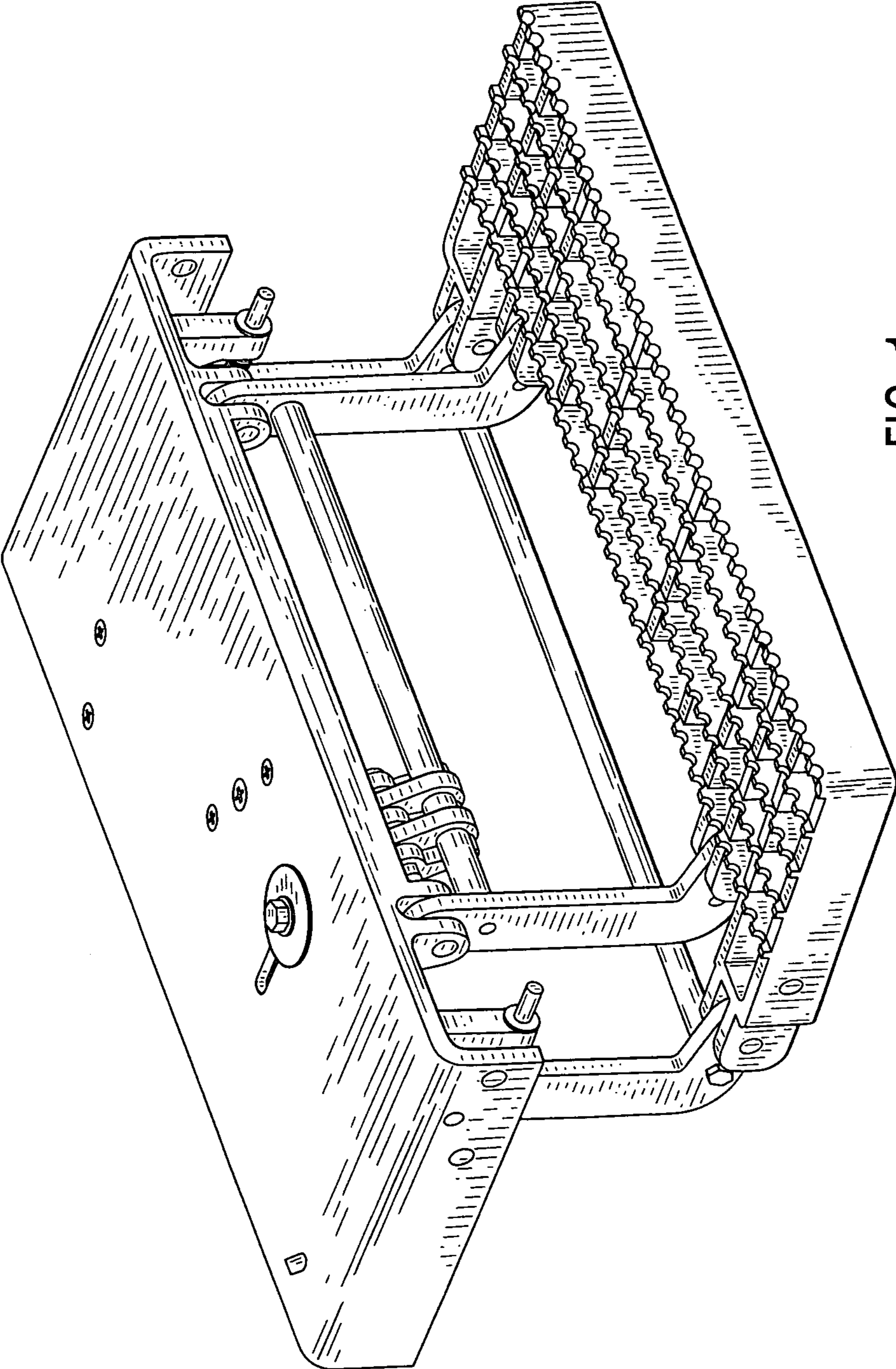
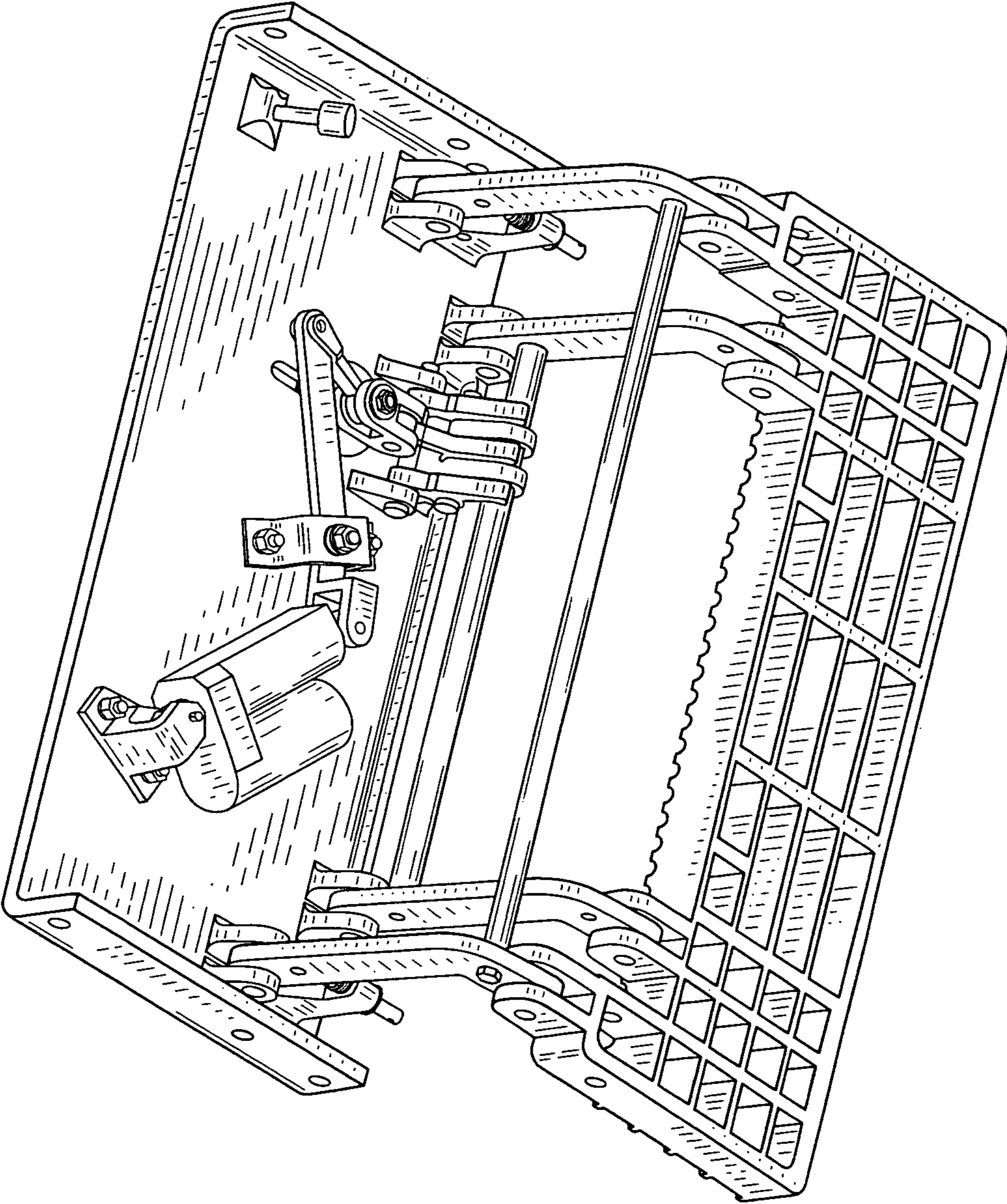


FIG. 1

FIG. 2



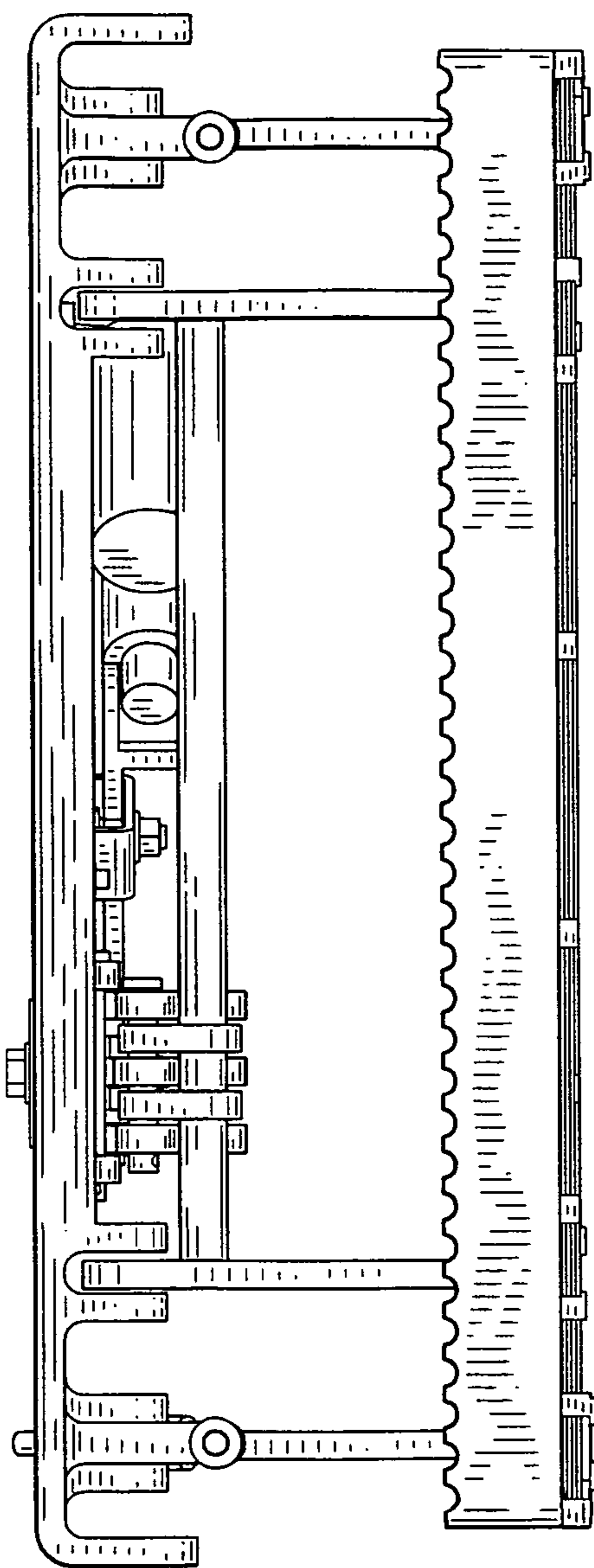


FIG. 3

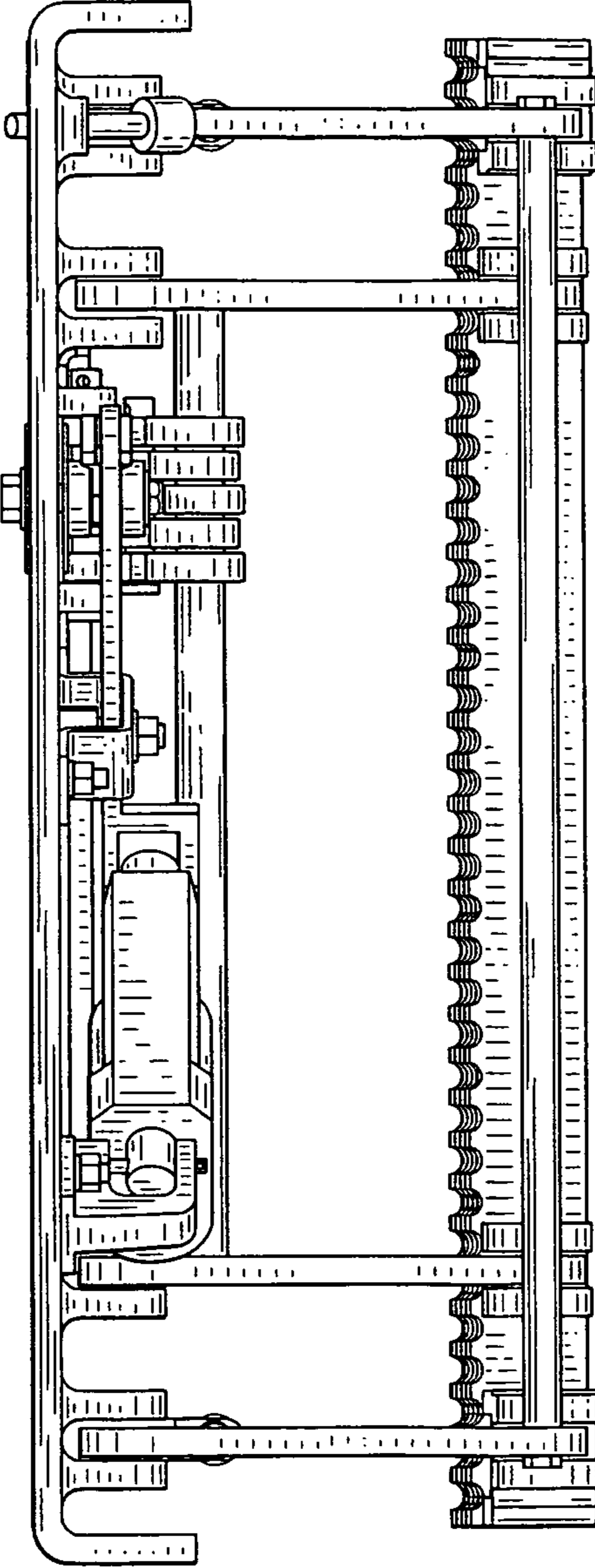


FIG. 4

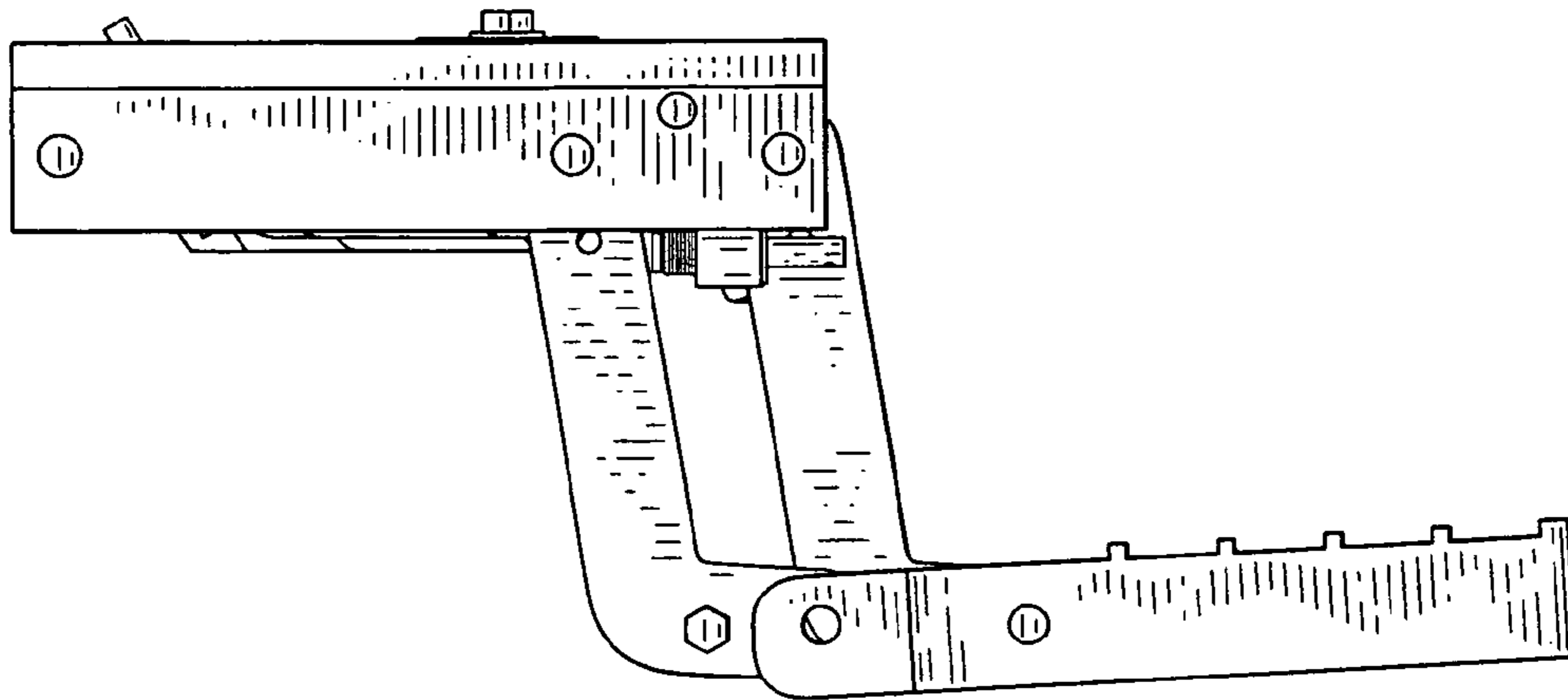


FIG. 5

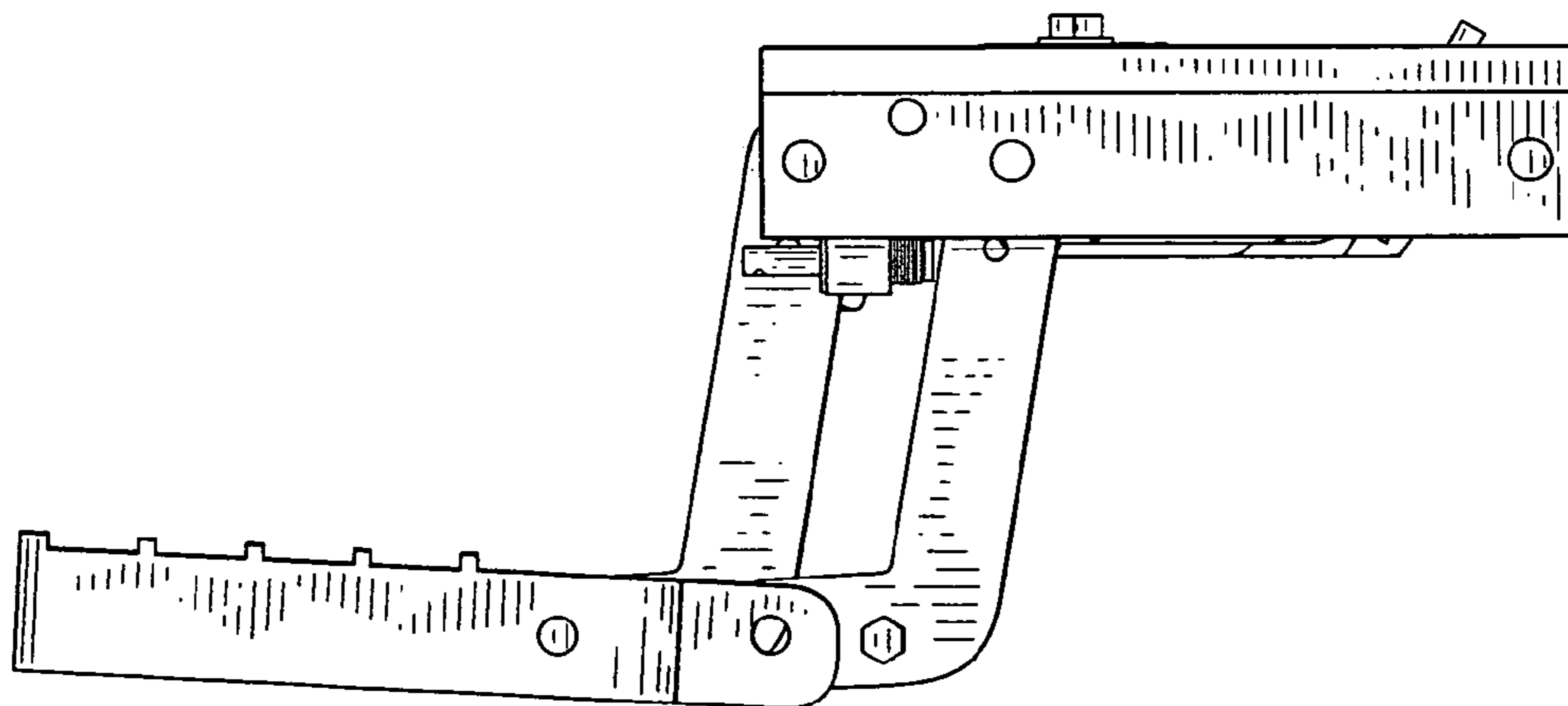


FIG. 6

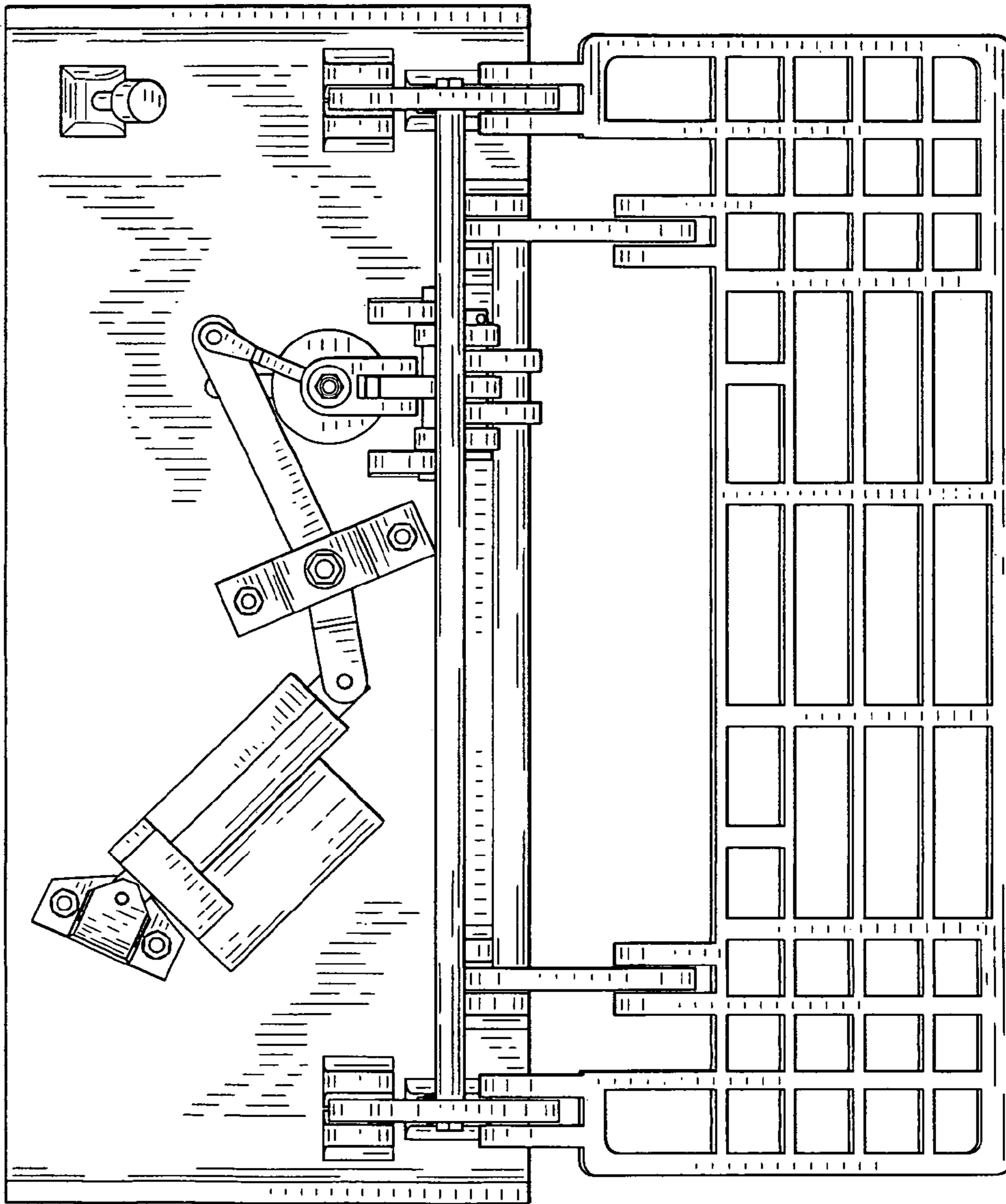


FIG. 7

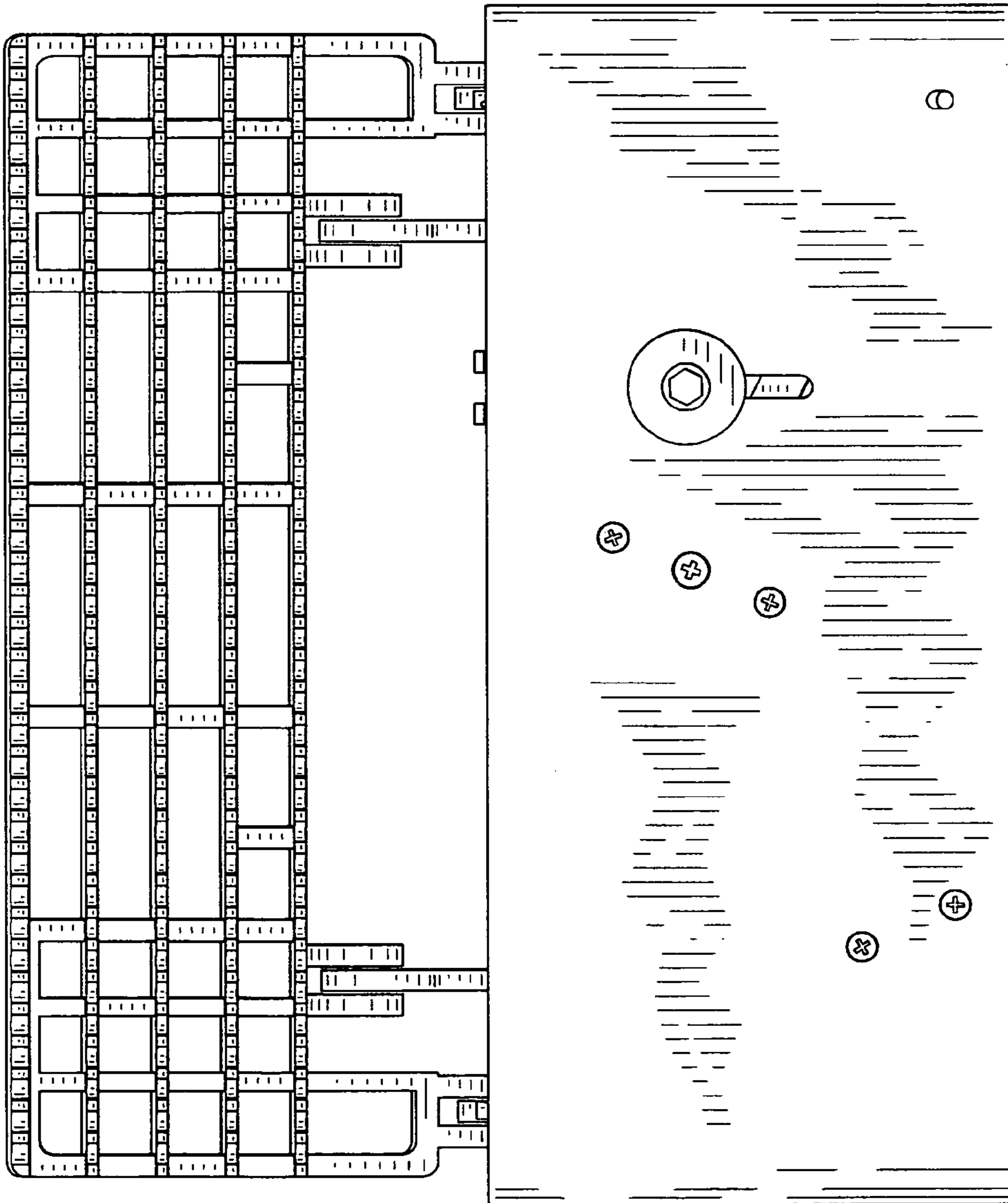


FIG. 8