



US00D713771S

(12) **United States Design Patent**
Kuo

(10) **Patent No.:** **US D713,771 S**

(45) **Date of Patent:** **** Sep. 23, 2014**

(54) **LICENSE FRAME**

(71) Applicant: **Stanley Kuo**, Taipei (TW)

(72) Inventor: **Stanley Kuo**, Taipei (TW)

(**) Term: **14 Years**

(21) Appl. No.: **29/475,653**

(22) Filed: **Dec. 5, 2013**

(51) **LOC (10) Cl.** **12-16**

(52) **U.S. Cl.**
USPC **D12/193**

(58) **Field of Classification Search**
USPC D12/193, 400; D6/300–302, 310–314;
40/200–204, 207–214, 643, 591;
D20/13; 348/148, 373
See application file for complete search history.

(56) **References Cited**

U.S. PATENT DOCUMENTS

- D285,784 S * 9/1986 Langensiepen D12/193
- D333,490 S * 2/1993 Engelberts D20/13
- D579,391 S * 10/2008 Lin D12/193
- D625,234 S * 10/2010 Vuletic D12/193

- D669,830 S * 10/2012 Behmer et al. D12/193
- D695,174 S * 12/2013 Kang et al. D12/193
- D699,172 S * 2/2014 Kang et al. D12/193

* cited by examiner

Primary Examiner — Stacia Cadmus

(74) *Attorney, Agent, or Firm* — WPAT, PC; Justin King

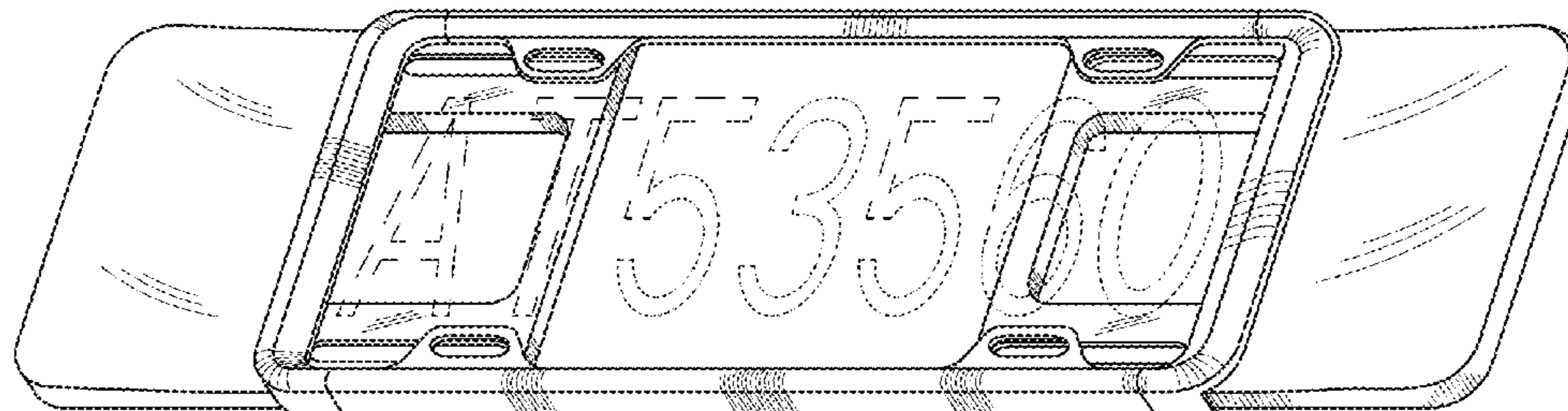
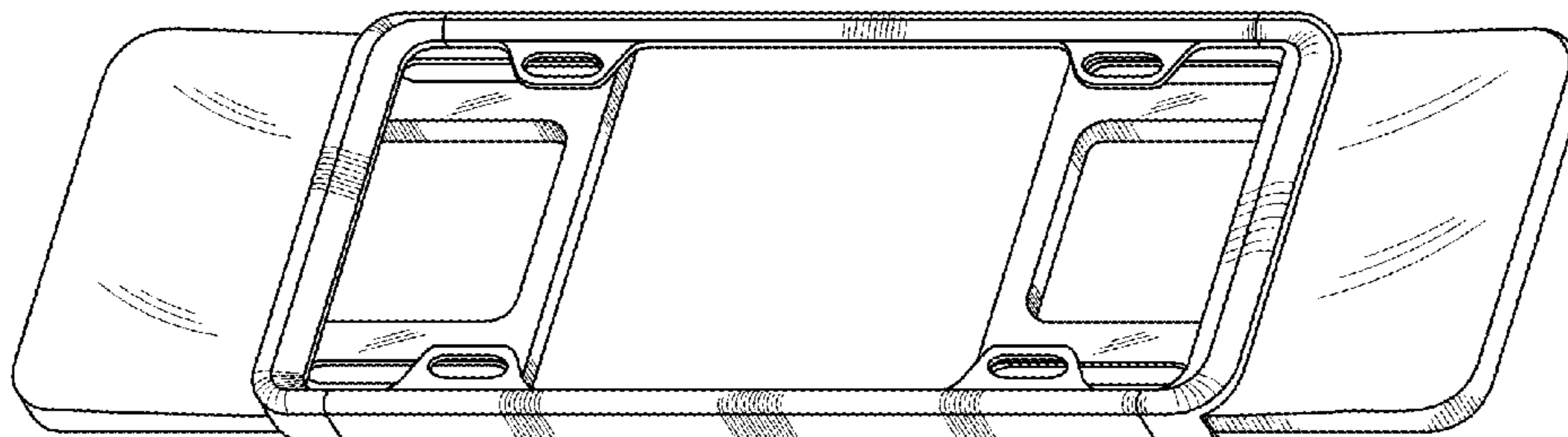
(57) **CLAIM**

The ornamental design for a license frame, as shown and described.

DESCRIPTION

FIG. 1 is a perspective view of a license frame, showing my new design;
 FIG. 2 is a front view thereof;
 FIG. 3 is a rear view thereof;
 FIG. 4 is a left side view thereof;
 FIG. 5 is a right side view thereof;
 FIG. 6 is a top plane view thereof;
 FIG. 7 is a bottom plane view thereof; and,
 FIG. 8 is a perspective view thereof shown with a license plate attached to the frame, wherein the broken line showing of the license plate in FIG. 8 is included for the purpose of illustrating environment and forms no part of the claimed design.

1 Claim, 5 Drawing Sheets



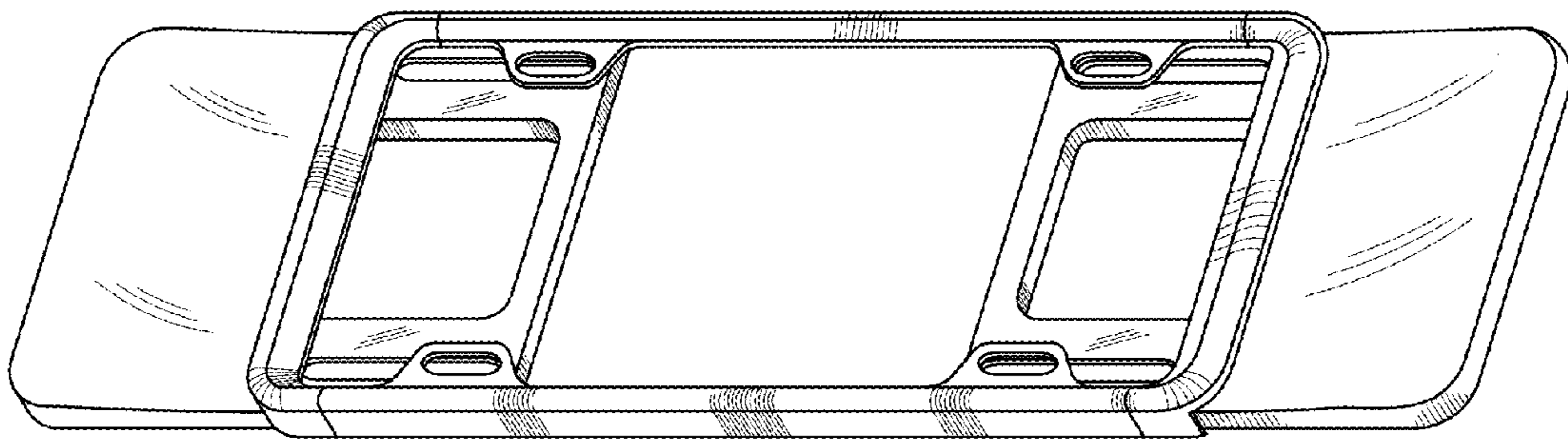


FIG. 1

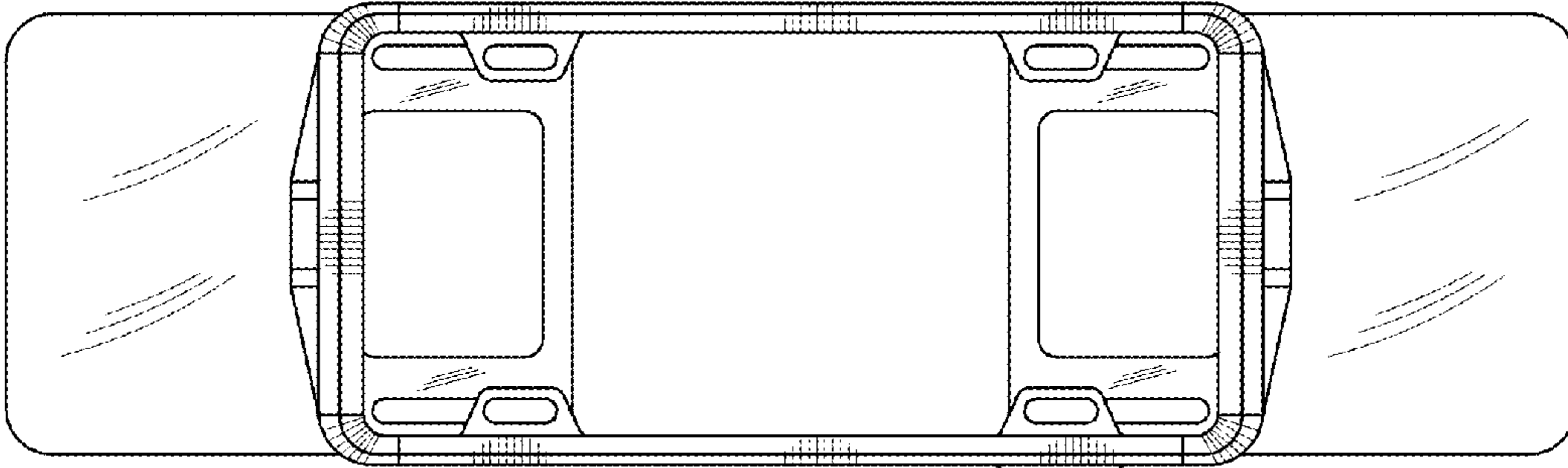


FIG. 2

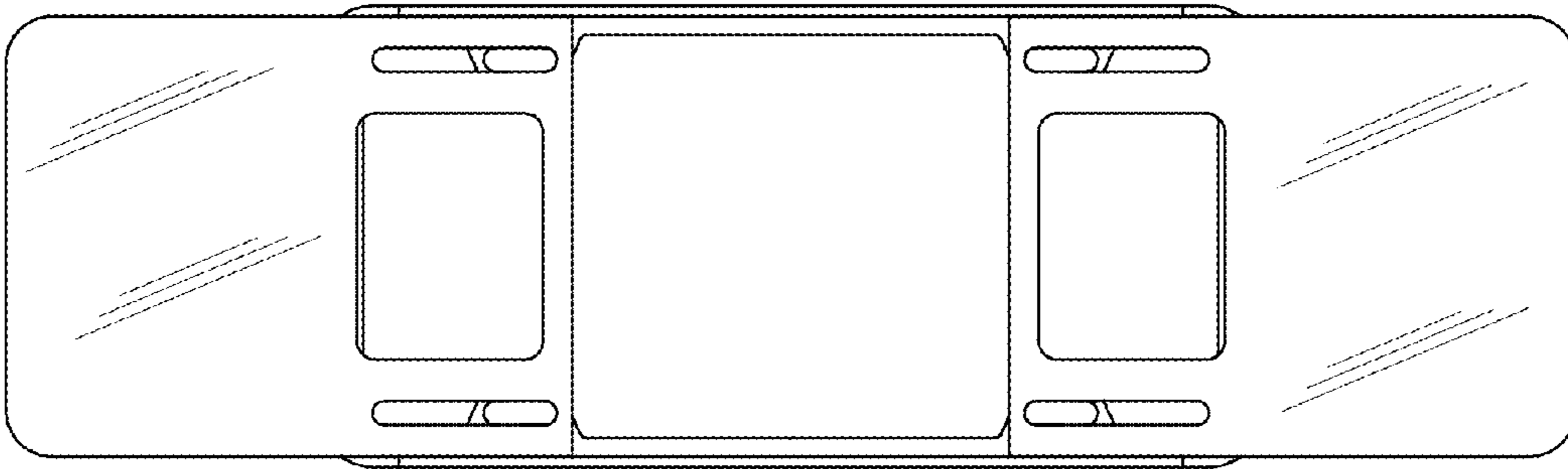


FIG. 3

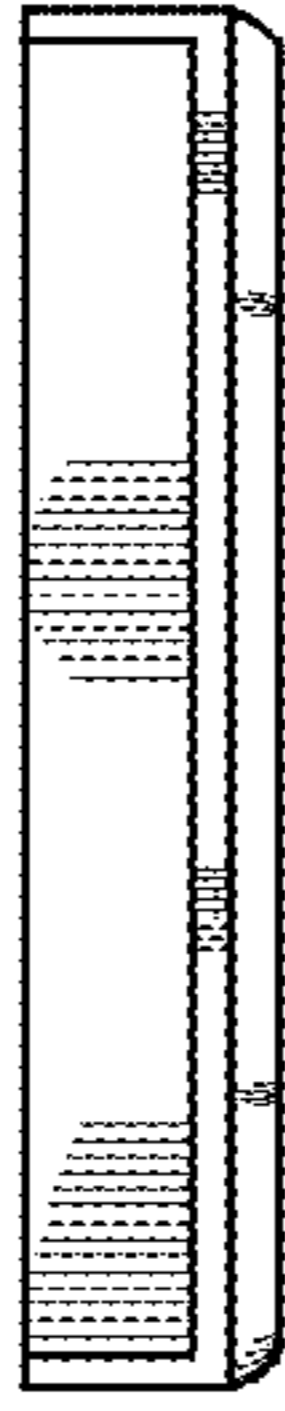


FIG. 4

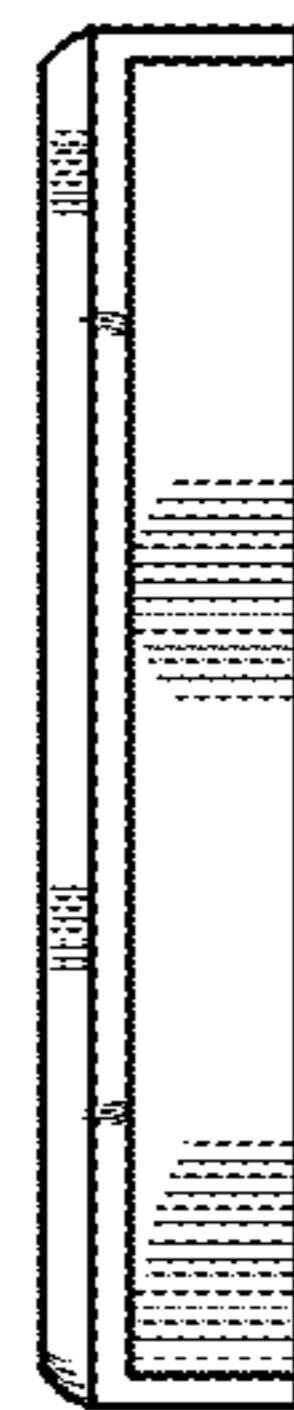


FIG. 5

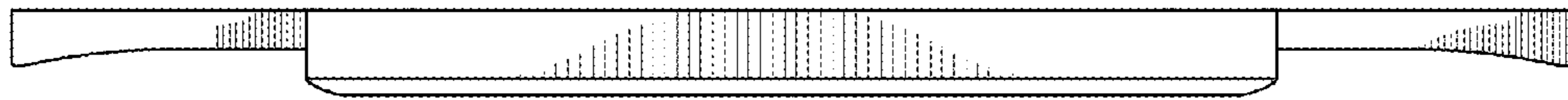


FIG. 6

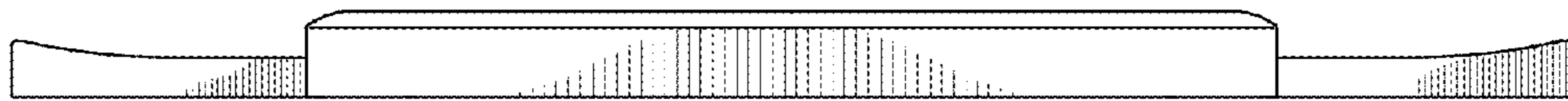


FIG. 7

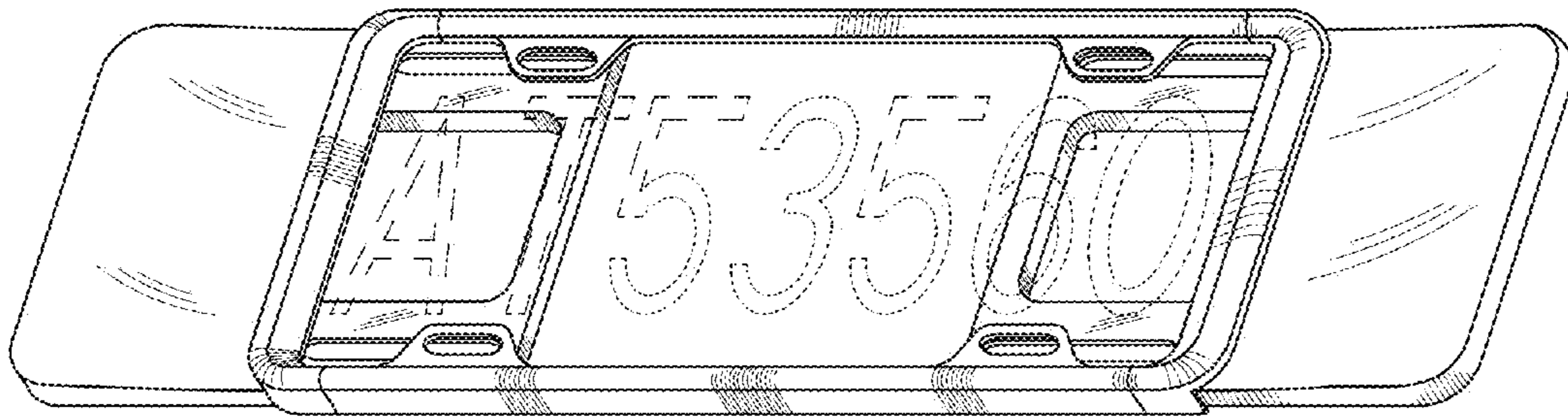


FIG. 8