



US00D713765S

(12) **United States Design Patent**
Peltola et al.

(10) **Patent No.:** **US D713,765 S**

(45) **Date of Patent:** **** Sep. 23, 2014**

(54) **INTAKE SCREEN**

(71) Applicants: **Wallace A. Peltola**, Sammamish, WA (US); **Jonathan Duncan**, Seattle, WA (US); **Ernesto Salas, Jr.**, Frisco, TX (US); **Nicholas J. Evans**, Lewisville, TX (US)

(72) Inventors: **Wallace A. Peltola**, Sammamish, WA (US); **Jonathan Duncan**, Seattle, WA (US); **Ernesto Salas, Jr.**, Frisco, TX (US); **Nicholas J. Evans**, Lewisville, TX (US)

(73) Assignee: **PACCAR Inc**, Bellevue, WA (US)

(**) Term: **14 Years**

(21) Appl. No.: **29/448,494**

(22) Filed: **Mar. 12, 2013**

(51) **LOC (10) Cl.** **12-16**

(52) **U.S. Cl.**
USPC **D12/163**

(58) **Field of Classification Search**
CPC B63B 3/66; B60H 1/34; B60H 1/248; B60H 1/262; B60K 13/02; B60K 13/005; B60K 19/52; B60K 2019/525; F24F 13/20; F24F 13/082
USPC D12/56, 90, 91, 92, 163, 164, 169, 196, D12/171, 173, 216; 180/68.1, 68.6; 296/187.09, 193.1; D15/89; D23/354, D23/371, 385, 387, 388, 393, 412; D25/155; D26/59, 72, 120, 121; D6/703.5, 409; 293/115; 454/155

See application file for complete search history.

(56) **References Cited**

U.S. PATENT DOCUMENTS

D29,043 S * 7/1898 Price D6/494
D290,746 S * 7/1987 Whitley, II D23/388
4,712,501 A * 12/1987 Whitley, II 114/211

(Continued)

OTHER PUBLICATIONS

BMC Black Mamba Hood Vents—45 Degree Carbon Fiber (10-12 All). www.americanmuscle.com. Feb. 20, 2012 [online], [retrieved on Jan. 17, 2013]. Retrieved from the Internet <URL: http://www.americanmuscle.com/bmc-hood-vents-cf.html>.*

(Continued)

Primary Examiner — Philip S Hyder

Assistant Examiner — Darlington Ly

(74) *Attorney, Agent, or Firm* — Christensen O'Connor Johnson Kindness PLLC

(57) **CLAIM**

The ornamental design for an intake screen, as shown and described.

DESCRIPTION

FIG. 1 is a perspective view of an intake screen according to our new design;

FIG. 2 is a front elevational view of the intake screen of FIG. 1;

FIG. 3 is a top plan view of the intake screen of FIG. 1;

FIG. 4 is a bottom plan view of the intake screen of FIG. 1;

FIG. 5 is a left side elevational view of the intake screen of FIG. 1;

FIG. 6 is a right side elevational view of the intake screen of FIG. 1;

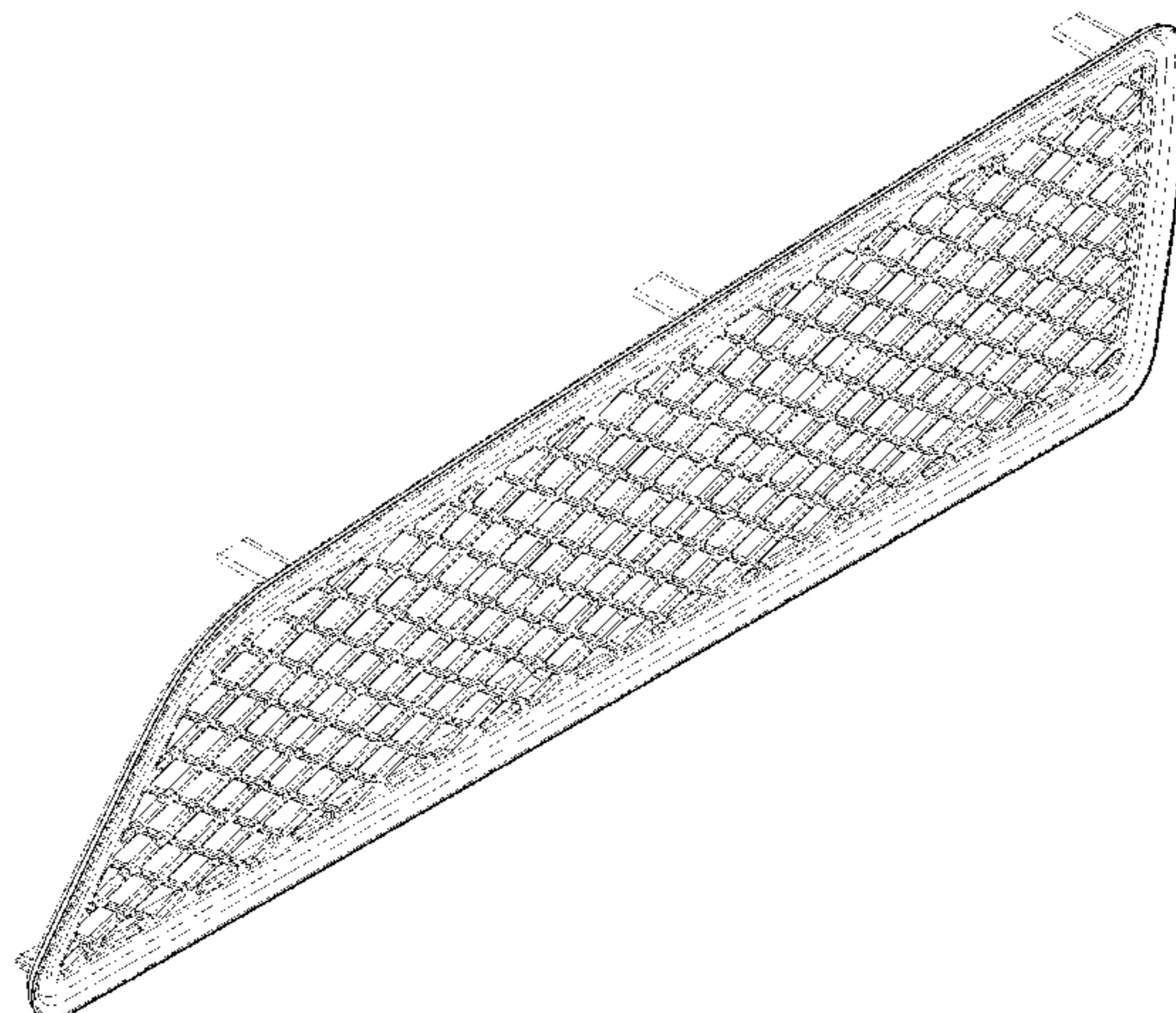
FIG. 7 is a partial cross-sectional view of the intake screen of FIG. 2 taken substantially along line 7-7; and,

FIG. 8 is an enlarged detailed view of a portion of the intake screen of FIG. 2.

FIGS. 1-8 illustrate a first embodiment of our novel design suitable for use on the left side of a vehicle. Our novel design also includes a second embodiment suitable for use on the right side of a vehicle, which is mirrored symmetrical to FIGS. 1-8 and therefore not separately illustrated.

The broken lines shown in the drawings illustrate portions of the intake screen that form no part of the claimed design.

1 Claim, 4 Drawing Sheets



(56)

References Cited

U.S. PATENT DOCUMENTS

| | | | | |
|--------------|------|---------|------------------|----------|
| 5,275,249 | A * | 1/1994 | Nelson | 180/69.2 |
| D351,903 | S * | 10/1994 | Whitley, II | D23/388 |
| D357,732 | S * | 4/1995 | Spechts et al. | D23/388 |
| D393,980 | S * | 5/1998 | Kellermann | D7/409 |
| D501,808 | S * | 2/2005 | Otto et al. | D12/163 |
| D537,935 | S * | 3/2007 | Schluter et al. | D23/412 |
| D539,194 | S * | 3/2007 | Moses | D12/163 |
| D547,705 | S * | 7/2007 | Marchese et al. | D12/163 |
| D567,154 | S * | 4/2008 | Cunningham | D12/163 |
| D573,612 | S * | 7/2008 | Braun et al. | D15/89 |
| D578,444 | S * | 10/2008 | Kuo | D12/163 |
| D581,508 | S * | 11/2008 | Miyake et al. | D23/371 |
| D589,853 | S * | 4/2009 | Saridakis et al. | D12/163 |
| D633,832 | S * | 3/2011 | Matei et al. | D12/163 |
| D647,829 | S | 11/2011 | Medina | |
| D685,694 | S * | 7/2013 | Platto et al. | D12/163 |
| D686,116 | S * | 7/2013 | Karras et al. | D12/163 |
| 2003/0027516 | A1 * | 2/2003 | Mafi et al. | 454/276 |

OTHER PUBLICATIONS

Hex Vent. Camaro5 Chevy Camaro Forum. Jan. 25, 2013 [online], [retrieved on Jan. 17, 2013]. Retrieved from the Internet <URL: <http://www.camaro5.com/forums/showthread.php?t=273161>>.*
 “T660,” Kenworth Truck Company, Kirkland, Washington, 2007, 36-page brochure.

“T170 Class 5,” Kenworth Truck Company, Kirkland, Washington, 2008, 4-page brochure.
 “T270 Class 6 and T370 Class 7,” Kenworth Truck Company, Kirkland, Washington, 2008, 6-page brochure.
 “T270 Class 6 and T370 Class 7 Hybrid,” Kenworth Truck Company, Kirkland, Washington, 2009, 6-page brochure.
 “T270 Class 6 and T370 Class 7 Hybrid,” Kenworth Truck Company, Kirkland, Washington, 2009, 6-page brochure.
 “T470H,” Kenworth Truck Company, Kirkland, Washington, 2009, 2-page brochure.
 “T660,” Kenworth Truck Company, Kirkland, Washington, 2009, 36-page brochure.
 “T800,” Kenworth Truck Company, Kirkland, Washington, 2009, 28-page brochure.
 “Kenworth Truck Models,” Kenworth Truck Company, Kirkland, Washington, 2010, 16-page brochure.
 “Paccar Engines, 2010 Medium Duty Engines,” Paccar Inc, Bellevue, Washington, 2010, 6-page brochure.
 “Paccar MX,” Paccar Inc, Bellevue, Washington, 2010, 4-page brochure.
 “T440,” Kenworth Truck Company, Kirkland, Washington, 2010, 2-page brochure.
 “T440,” Kenworth Truck Company, Kirkland, Washington, 2010, 6-page brochure.
 “T470,” Kenworth Truck Company, Kirkland, Washington, 2010, 6-page brochure.
 “T700,” Kenworth Truck Company, Kirkland, Washington, 2010, 6-page brochure.

* cited by examiner

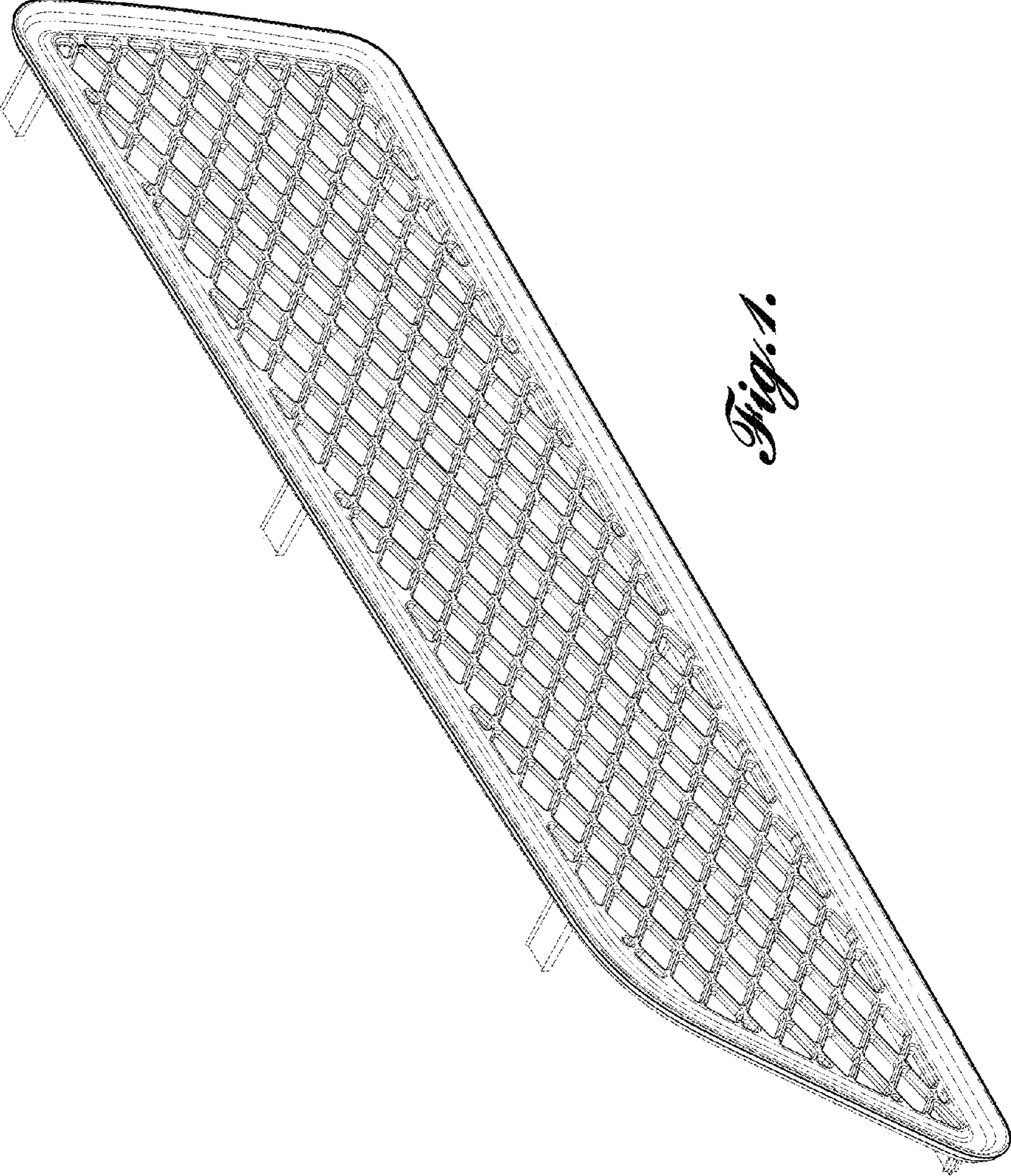


Fig. 1.

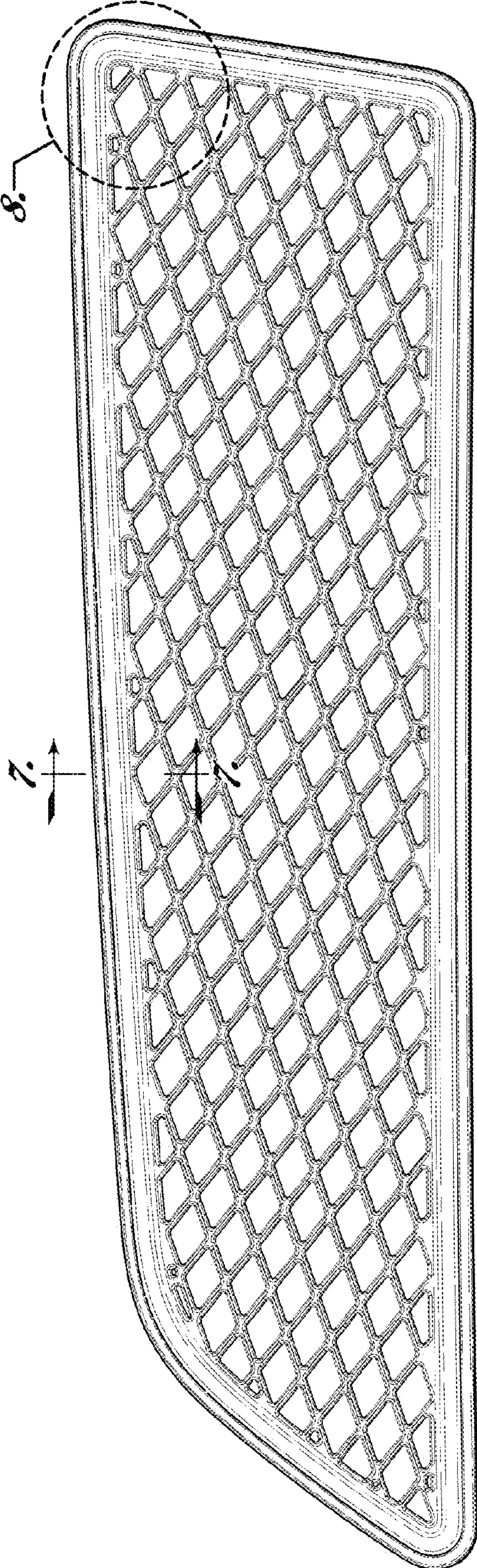


Fig. 2.



Fig. 3.

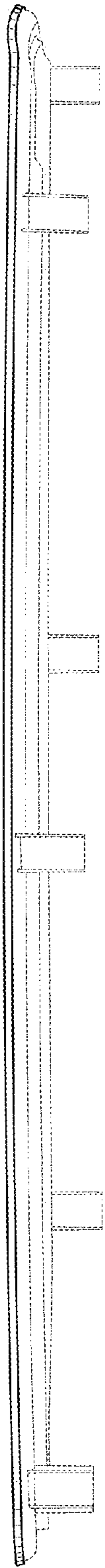


Fig. 4.

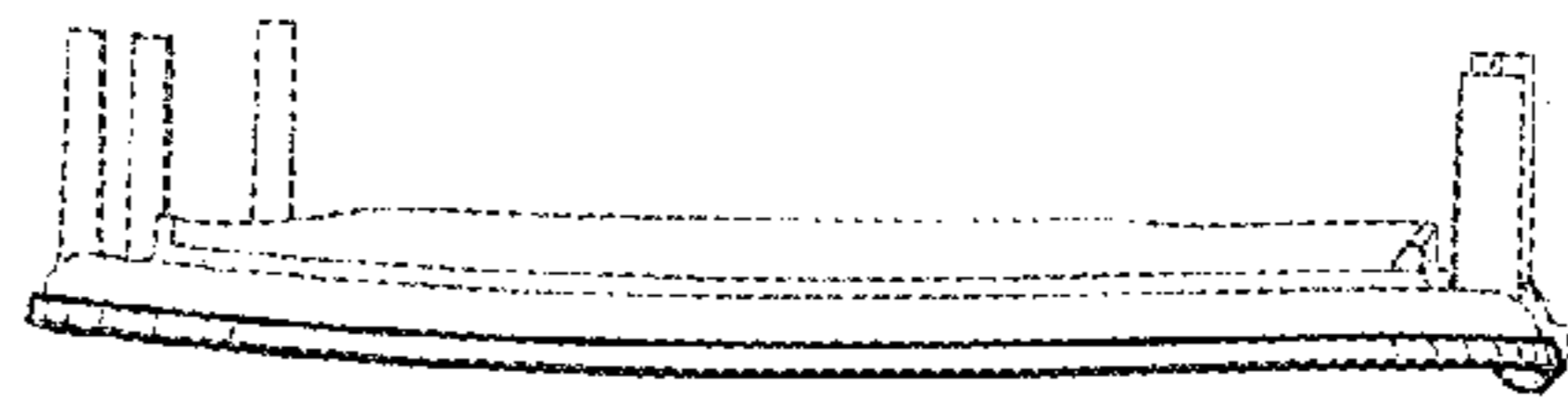


Fig. 6.

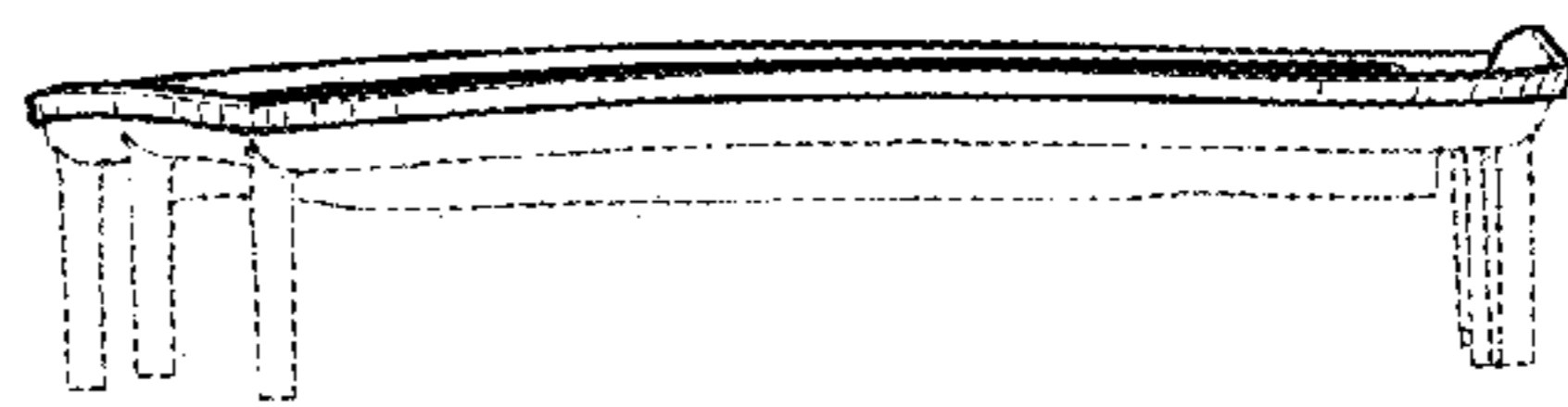


Fig. 5.

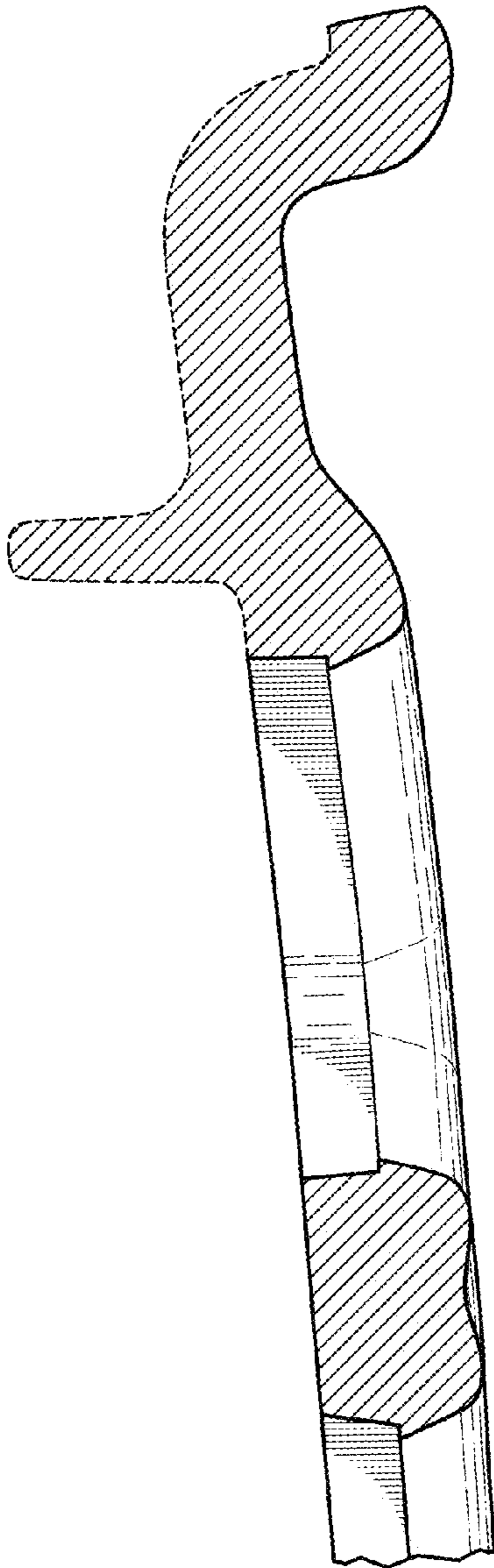


Fig. 7.

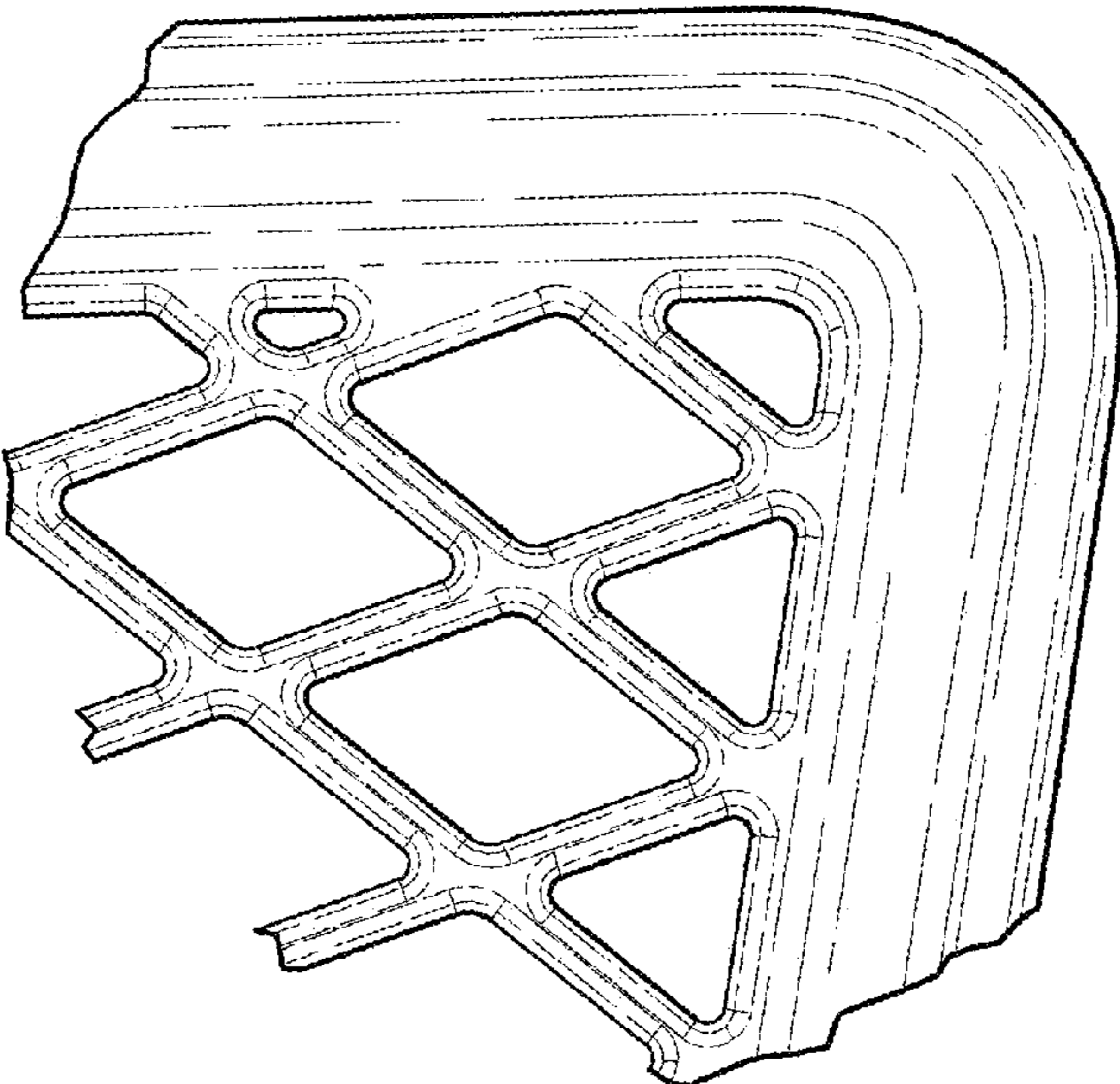


Fig. 8.