

US00D713764S

(12) **United States Design Patent**
Ferlazzo et al.

(10) **Patent No.:** **US D713,764 S**

(45) **Date of Patent:** **** Sep. 23, 2014**

(54) **VEHICLE BODY EXTERIOR**
(71) Applicant: **GM Global Technology Operations LLC**, Detroit, MI (US)
(72) Inventors: **Richard Fulvio Ferlazzo**, Bentleigh East (AU); **Peter William Hughes**, Pascoe Vale (AU); **Justin James Thompson**, Clarinda (AU); **Andrew David James Harrison**, Mordialloc (AU)

(73) Assignee: **GM Global Technology Operations LLC**, Detroit, MI (US)

(**) Term: **14 Years**

(21) Appl. No.: **29/451,178**

(22) Filed: **Mar. 28, 2013**

(51) **LOC (10) Cl.** **12-08**

(52) **U.S. Cl.**
USPC **D12/92**

(58) **Field of Classification Search**
USPC D12/86, 90-92, 88; D21/424, 433, 434;
296/181.1, 181.5
See application file for complete search history.

(56) **References Cited**

U.S. PATENT DOCUMENTS

D592,105 S	5/2009	Dean et al.
D597,447 S	8/2009	Folden
D603,755 S	11/2009	Peters
D605,082 S	12/2009	Munson
D605,083 S	12/2009	Manoogian, II et al.
D608,249 S	1/2010	Peters
D609,608 S	2/2010	Boniface et al.
D611,387 S	3/2010	Thompson et al.
D611,879 S	3/2010	Kim et al.
D612,297 S	3/2010	Peters et al.
D615,458 S	5/2010	Thompson et al.

D623,090 S	9/2010	Cox et al.
D644,567 S	9/2011	Kozub
D667,343 S *	9/2012	Fukui et al. D12/92
D667,344 S *	9/2012	Matsuno et al. D12/92
D667,345 S *	9/2012	Tanai et al. D12/92
D667,756 S *	9/2012	Asakura et al. D12/92

(Continued)

OTHER PUBLICATIONS

Design U.S. Appl. No. 29/407,580, filed Nov. 30, 2011; First Named Inventor: Robert J. Munson; Title: Vehicle Body.
Design U.S. Appl. No. 29/409,092, filed Dec. 20, 2011; First Named Inventor: Nicholas J. David; Title: Vehicle Body.
Design U.S. Appl. No. 29/413,221, filed Feb. 13, 2012; First Named Inventor: Joseph C. Baker; Title: Vehicle Body.

(Continued)

Primary Examiner — Melody Brown

(74) *Attorney, Agent, or Firm* — Lionel D. Anderson; Reising Ethington P.C.

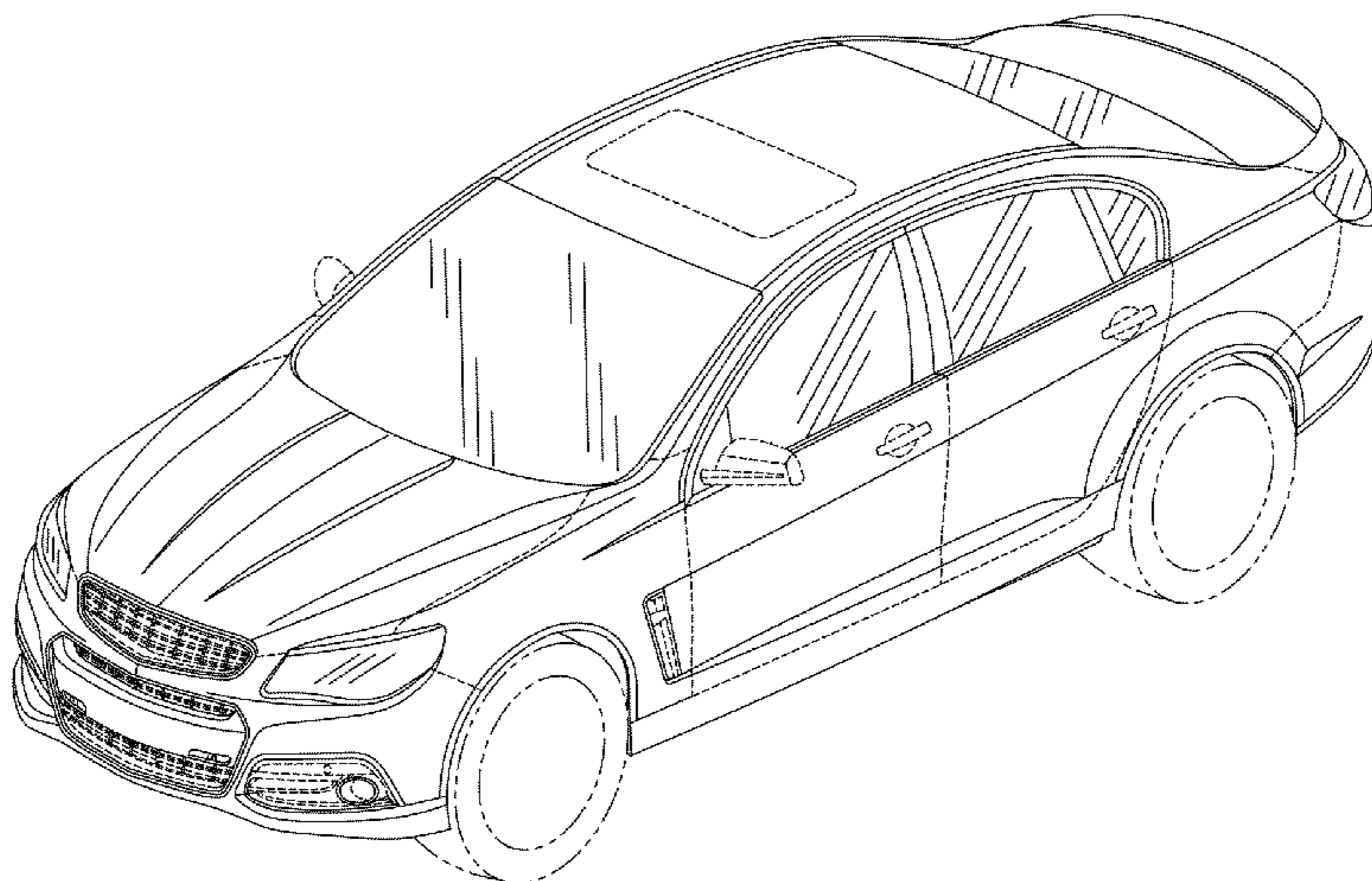
(57) **CLAIM**

The ornamental design for a vehicle body exterior, as shown and described.

DESCRIPTION

FIG. 1 is a front view of a vehicle body exterior;
FIG. 2 is a perspective view of the vehicle body exterior;
FIG. 3 is a top view of the vehicle body exterior;
FIG. 4 is a right side view of the vehicle body exterior;
FIG. 5 is a perspective view of the vehicle body exterior; and,
FIG. 6 is a rear view of the vehicle body exterior.
In the drawings, the portions shown by broken lines form no part of the claim, and the left side view of the vehicle body exterior is omitted because the left side view is virtually identical to the right side view with the exception that the left side view has a fuel cap cover that is shown by broken lines in FIGS. 3 and 6.

1 Claim, 6 Drawing Sheets



(56)

References Cited

U.S. PATENT DOCUMENTS

D668,182 S 10/2012 Barba Franco
D668,183 S 10/2012 Smart
D672,689 S * 12/2012 Kubota et al. D12/92
D678,820 S 3/2013 Song et al.
D678,821 S 3/2013 Ikeda et al.
D684,898 S * 6/2013 Minami D12/92
D704,598 S * 5/2014 Mueller D12/92

OTHER PUBLICATIONS

Design U.S. Appl. No. 29/414,260, filed Feb. 27, 2012; First Named Inventor: Steven M. McCabe; Title: Vehicle Body.
Design U.S. Appl. No. 29/416,870, filed Mar. 28, 2012; First Named Inventor: Joshua L. Thurber; Title: Vehicle Body.
Design U.S. Appl. No. 29/417,143, filed Mar. 30, 2012; First Named Inventor: Andrew D. Smith; Title: Vehicle Body.
Design U.S. Appl. No. 29/428,494, filed Jul. 31, 2012; First Named Inventor: Morio Ikeda; Title: Vehicle Body Exterior.

* cited by examiner

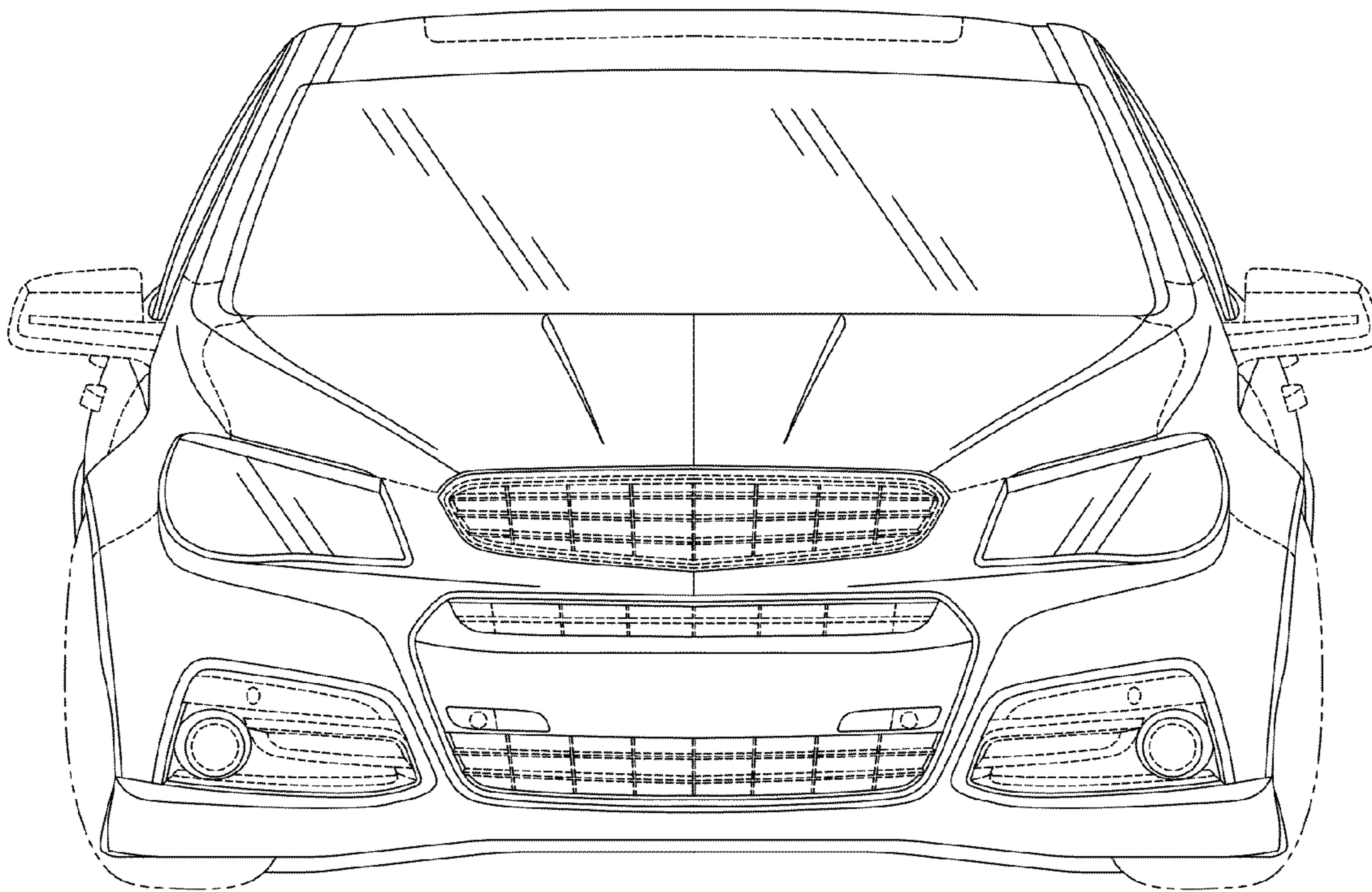


Fig-1

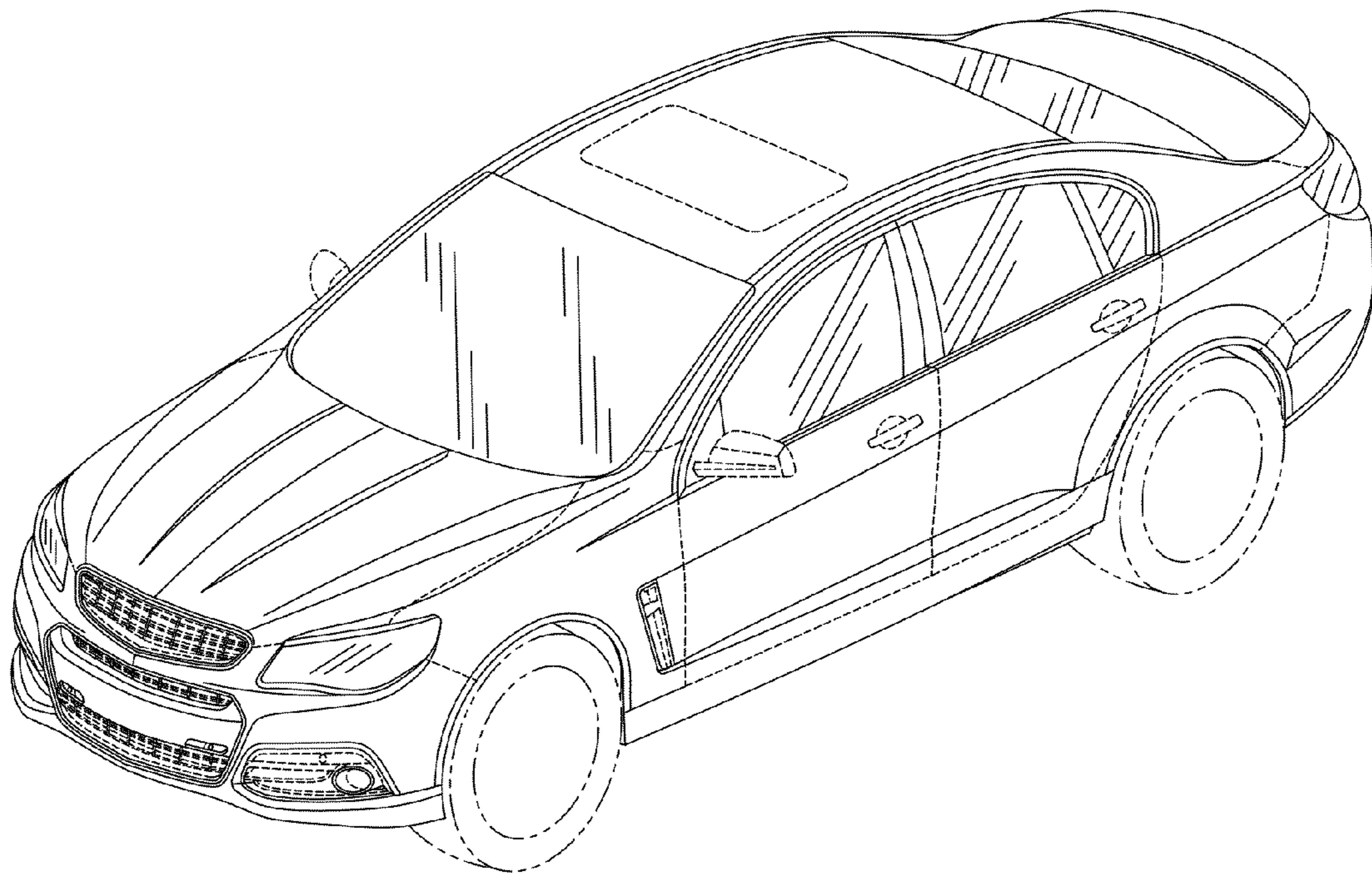


Fig-2

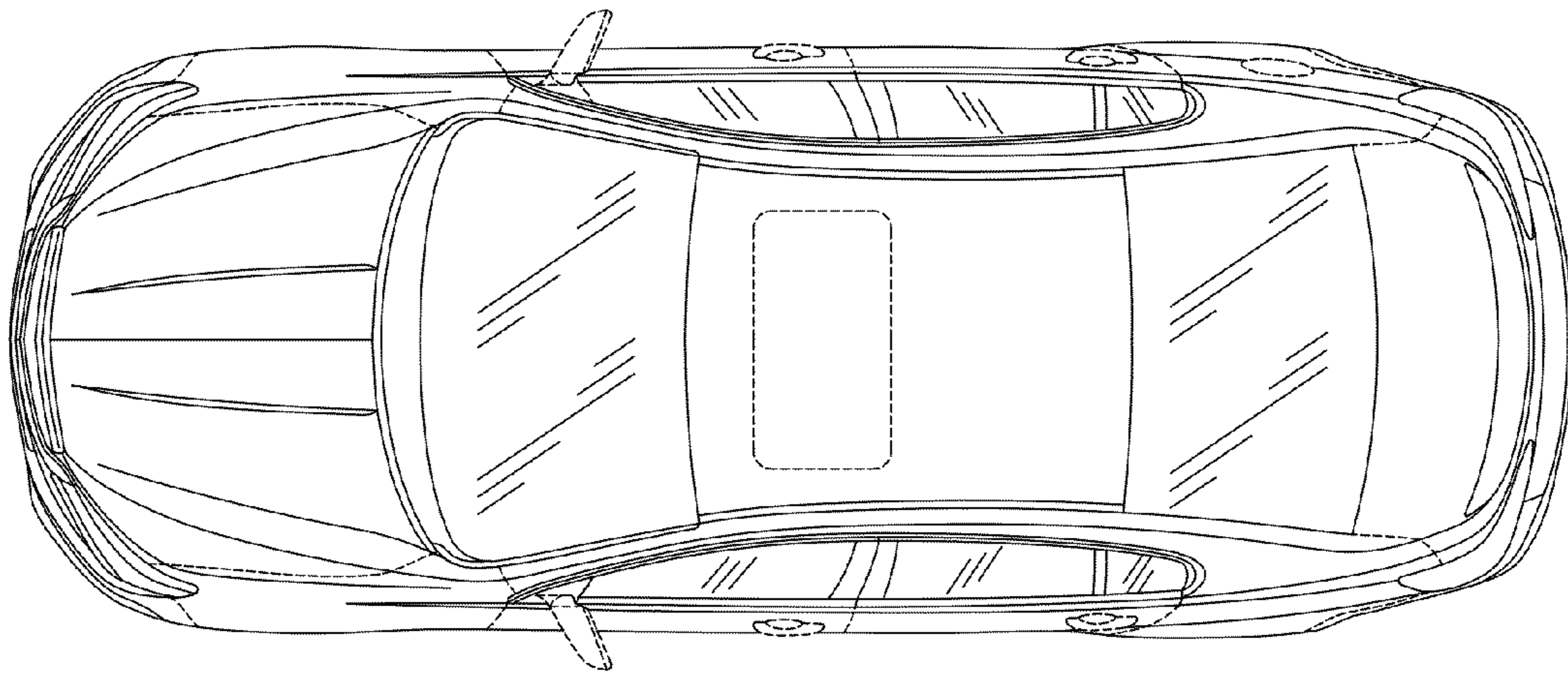


Fig-3

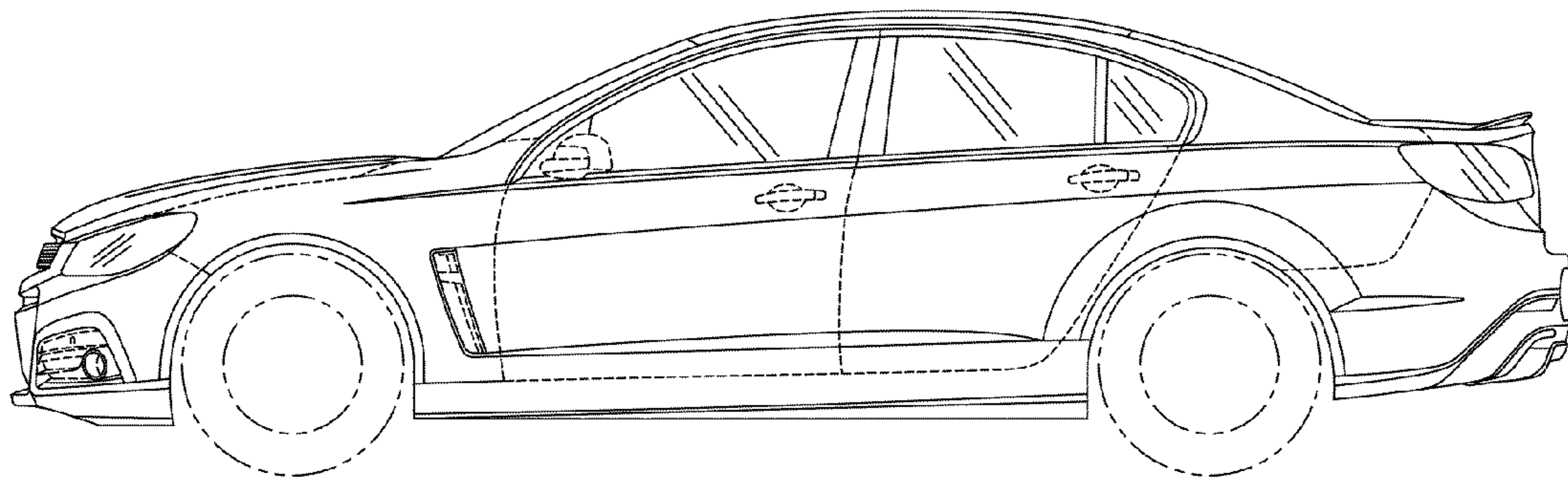


Fig-4

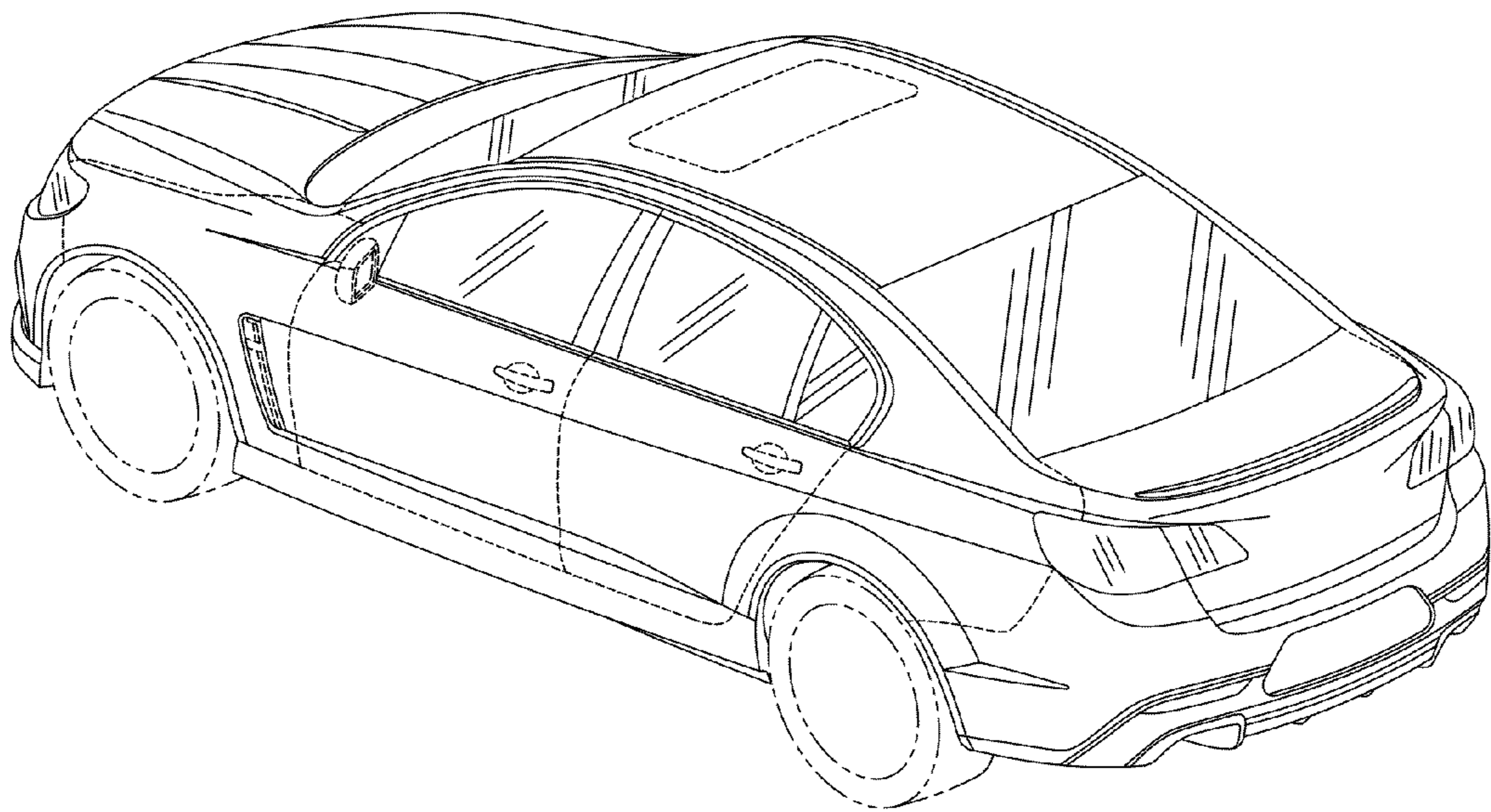


Fig-5

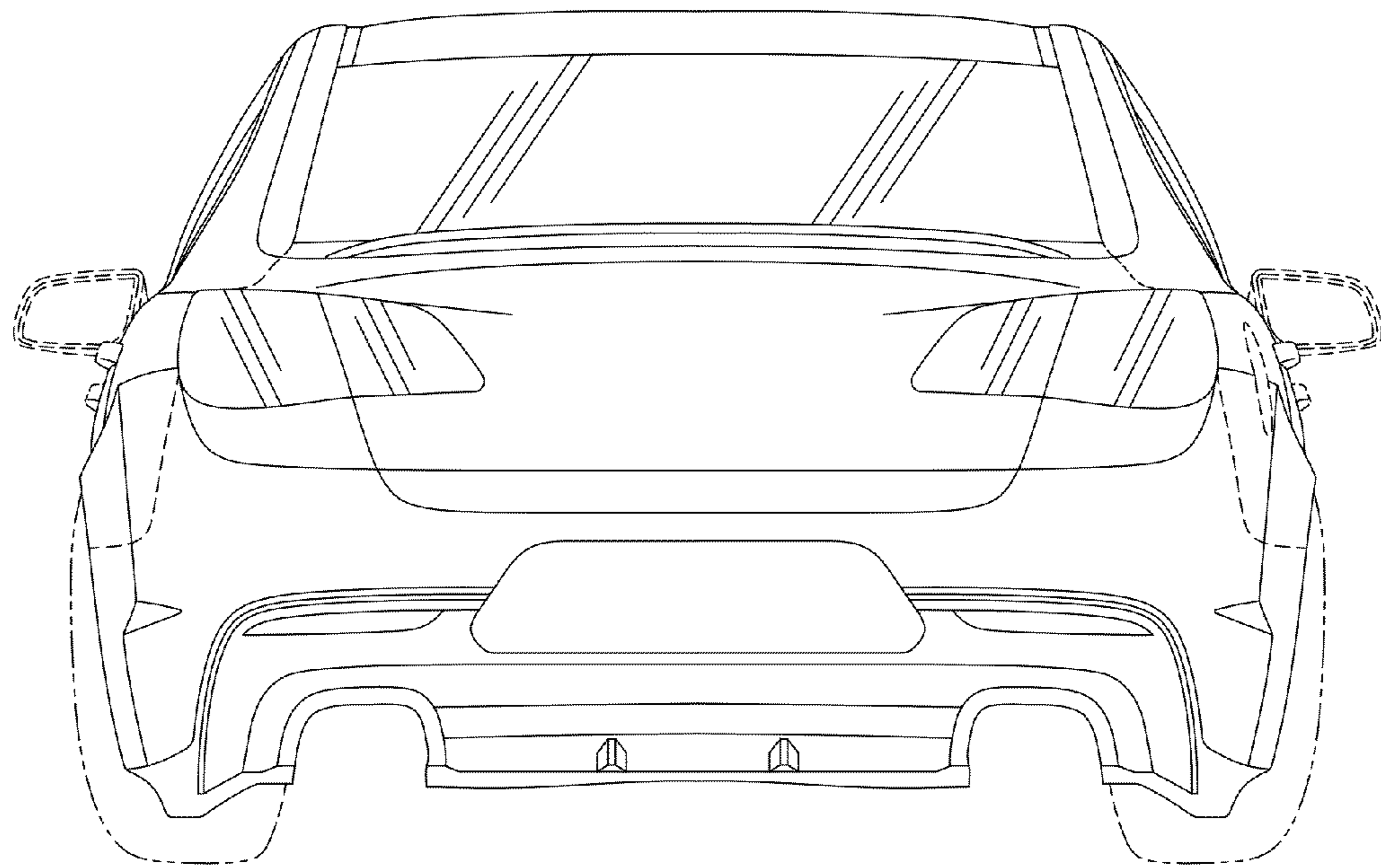


Fig-6