



US00D713762S

(12) **United States Design Patent**
Handy

(10) **Patent No.:** **US D713,762 S**

(45) **Date of Patent:** **** Sep. 23, 2014**

(54) **SLED**

(76) Inventor: **Keith Handy**, Stone (GB)

(**) Term: **14 Years**

(21) Appl. No.: **29/383,058**

(22) Filed: **Jan. 11, 2011**

(30) **Foreign Application Priority Data**

Jul. 12, 2010 (EM) 001730383

(51) **LOC (10) Cl.** **12-14**

(52) **U.S. Cl.**
USPC **D12/6**

(58) **Field of Classification Search**
USPC D12/16, 410, 414, 167, 172, 177, 184,
D12/190, 193, 195, 203, 221, 11, 6;
D25/69, 68, 63, 48, 141; 180/8.1;
296/72, 70, 181.4, 182.1, 183.1,
296/187.13, 203.3, 199, 1-2, 116, 115, 114,
296/120, 102, 278; 362/102, 120, 447, 323;
431/120, 102, 278, 288, 298, 319, 320,
431/325, 323, 322; 57/204, 206, 207, 208,
57/212, 224, 237, 14, 12, 9, 3, 58.38, 24;
15/115, 116, 116.1, 119.1, 120.1,
15/229.1-229.9; D26/6; 182/48
See application file for complete search history.

(56) **References Cited**

U.S. PATENT DOCUMENTS

4,003,483 A * 1/1977 Fulton 414/537
D287,111 S * 12/1986 Walker D12/6

4,932,648 A * 6/1990 Ahrens 472/116
D328,576 S * 8/1992 Weiss D12/9
D457,587 S * 5/2002 Wolf D21/760

OTHER PUBLICATIONS

[http://www.avenuesupply.ca/dock-equipment/dock-plates-boards-ramps/d-95479-95479-1 . . *](http://www.avenuesupply.ca/dock-equipment/dock-plates-boards-ramps/d-95479-95479-1...)
[http://commons.wikimedia.org/wiki/File:Playground_Slide_Metal.jpg.*](http://commons.wikimedia.org/wiki/File:Playground_Slide_Metal.jpg)

* cited by examiner

Primary Examiner — Ian Simmons

Assistant Examiner — Rhea Shields

(74) *Attorney, Agent, or Firm* — Chernoff, Vilhauer, McClung & Stenzel LLP

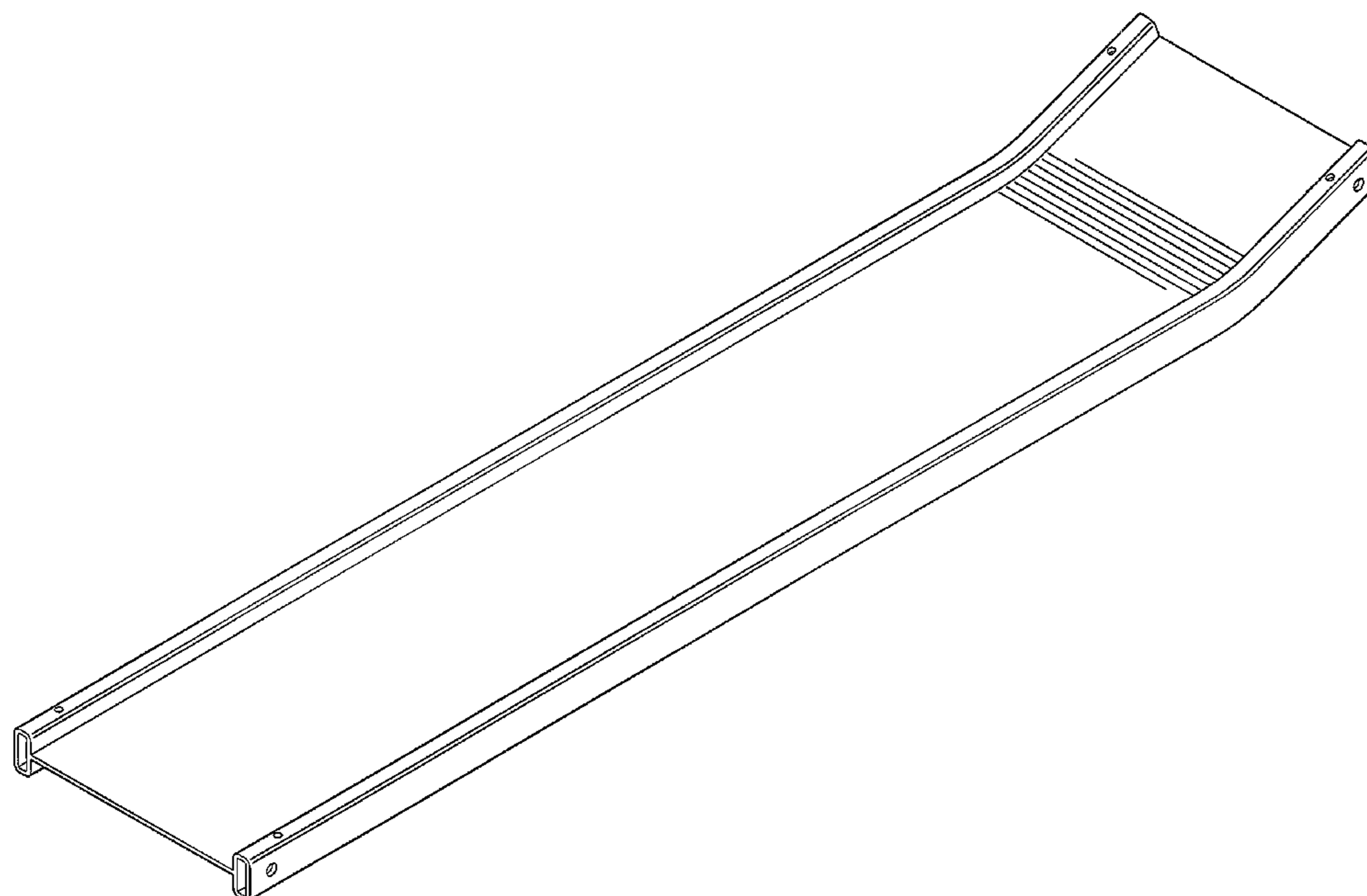
(57) **CLAIM**

The ornamental design for a sled, as shown and described.

DESCRIPTION

FIG. 1 is a perspective view from one side of a sled showing my new design,
FIG. 2 is a partial perspective view from the forward region thereof,
FIG. 3 is a front elevation thereof,
FIG. 4 is a side elevation view thereof,
FIG. 5 is a sectional view thereof taken on the line 5-5 of FIG. 4,
FIG. 6 is a sectional view thereof taken on the line 6-6 of FIG. 4; and,
FIG. 7 is a top plan view thereof.
The broken lines in the drawings illustrate environmental structure forming no part of the claimed design.

1 Claim, 3 Drawing Sheets



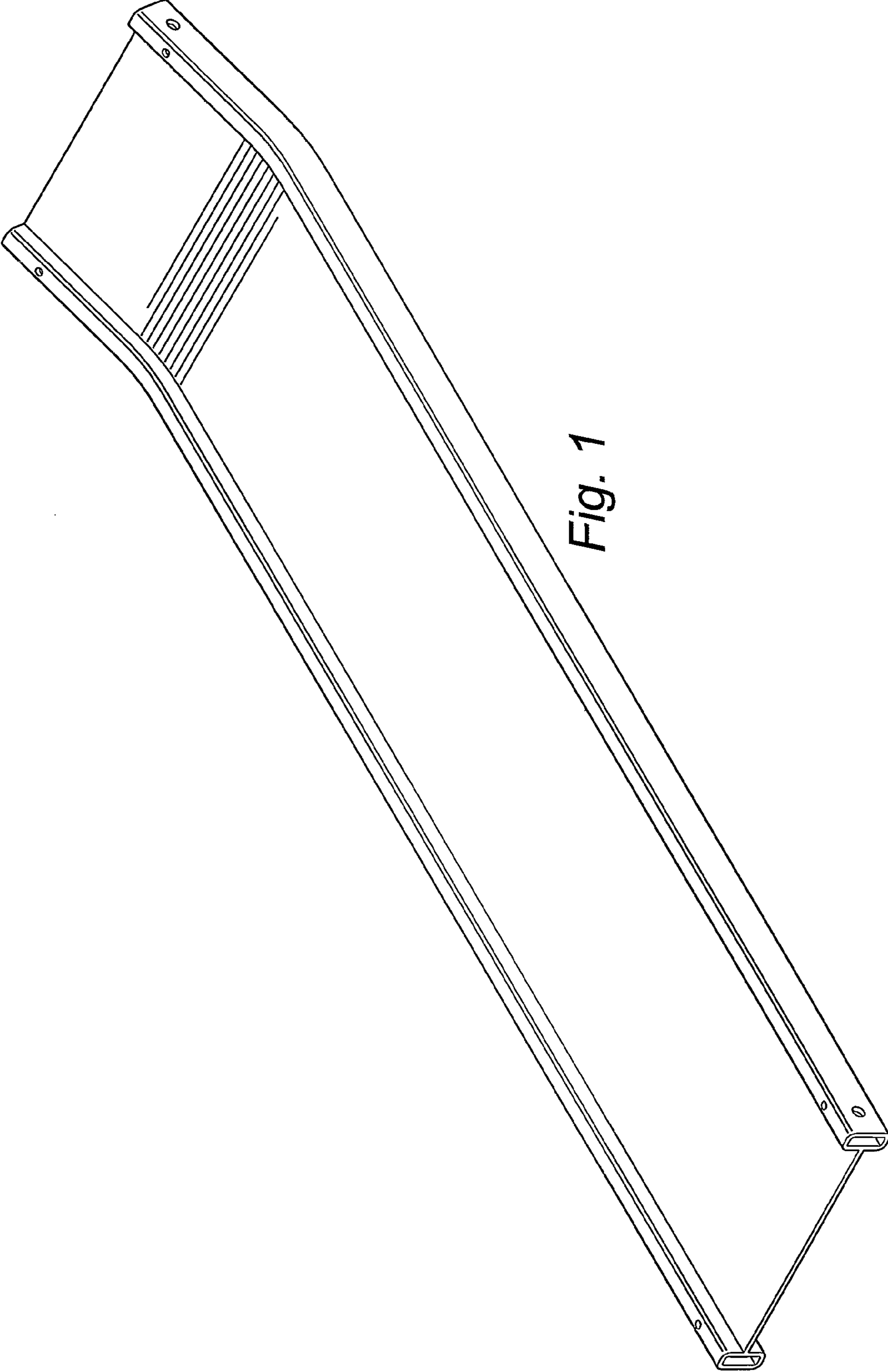
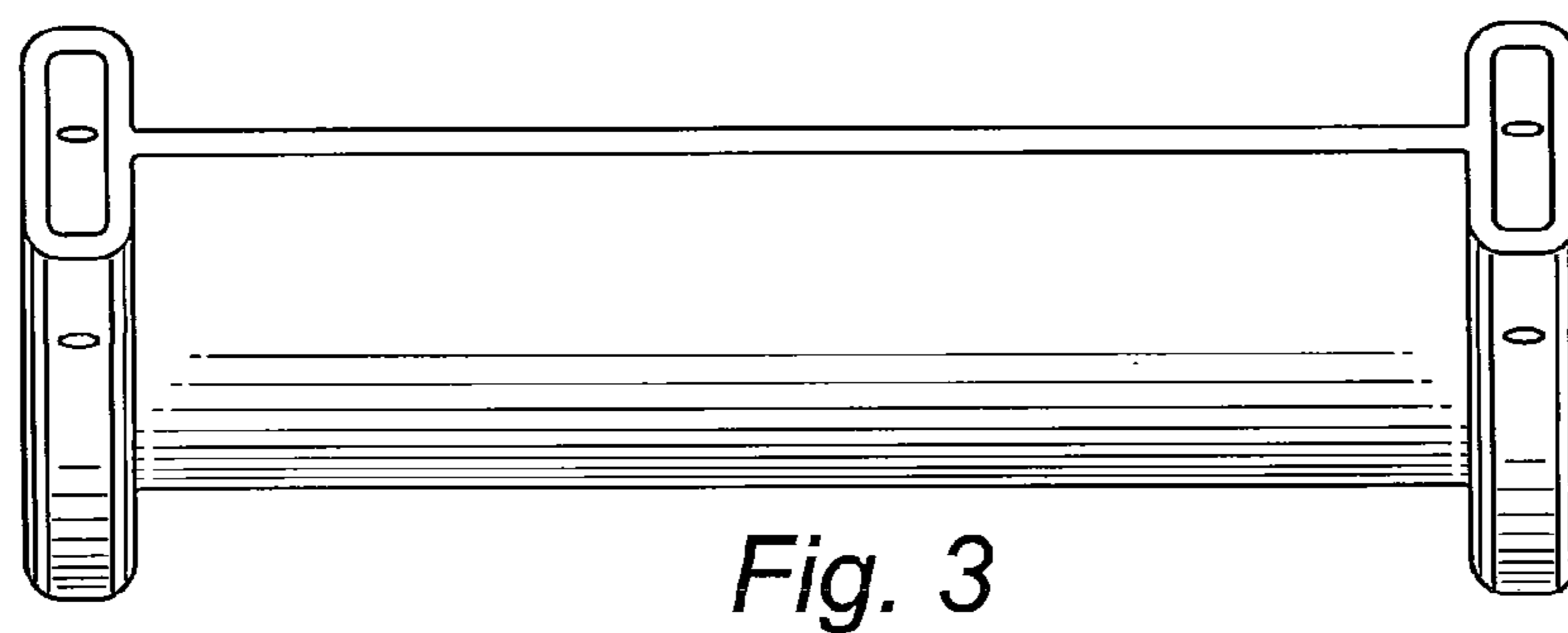
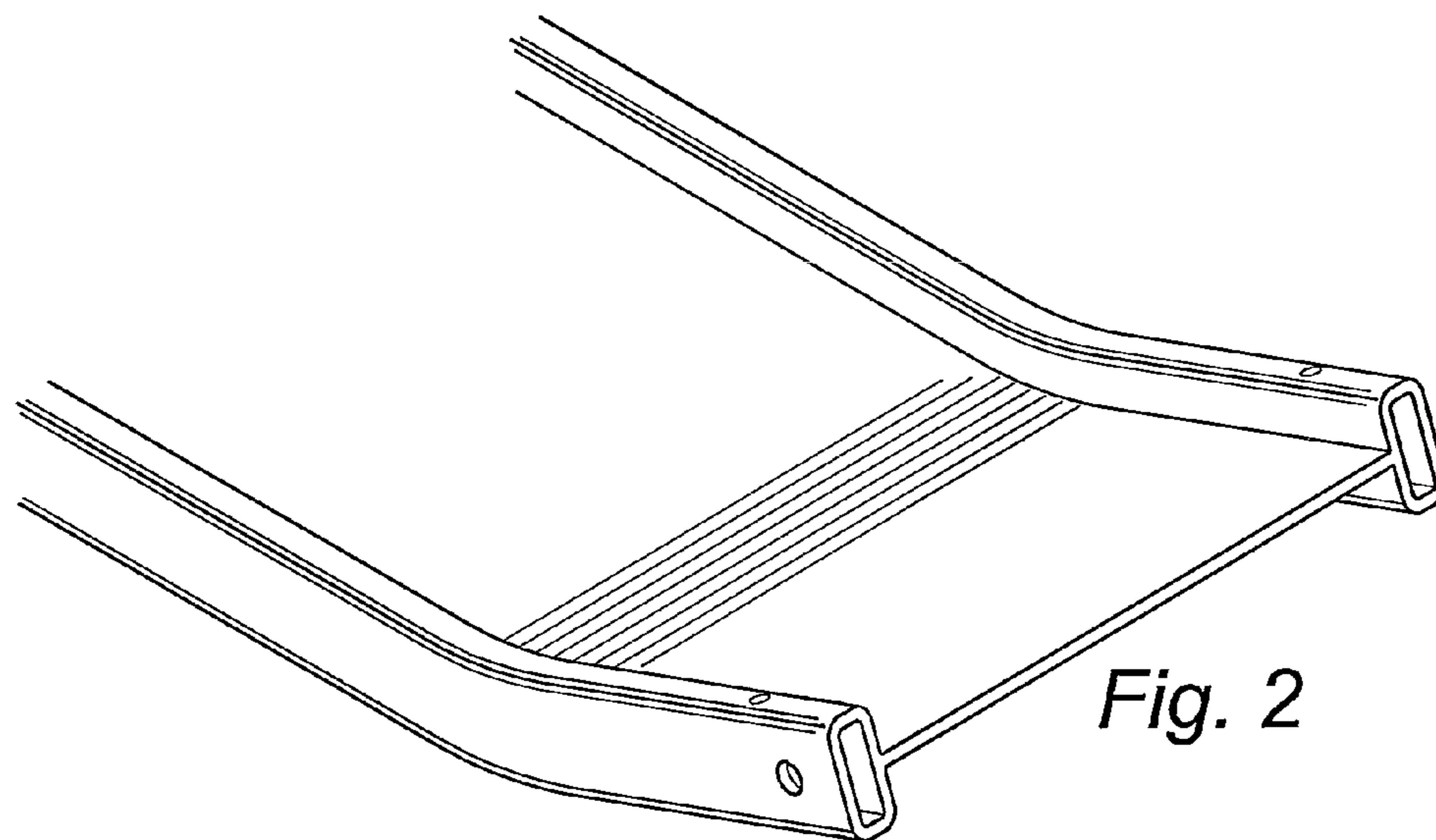


Fig. 1



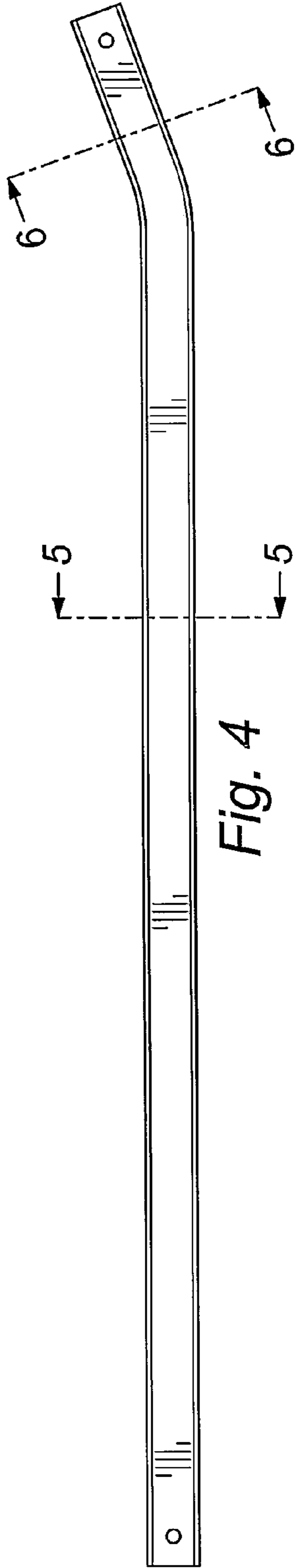


Fig. 4

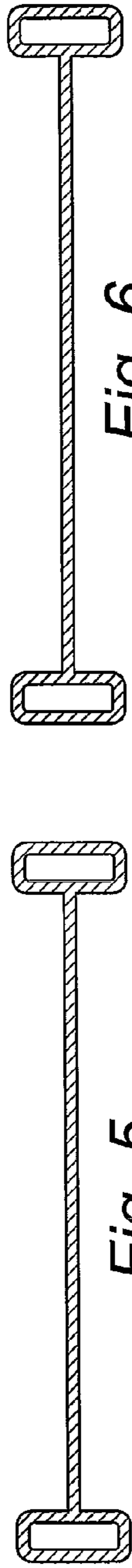


Fig. 5

Fig. 6

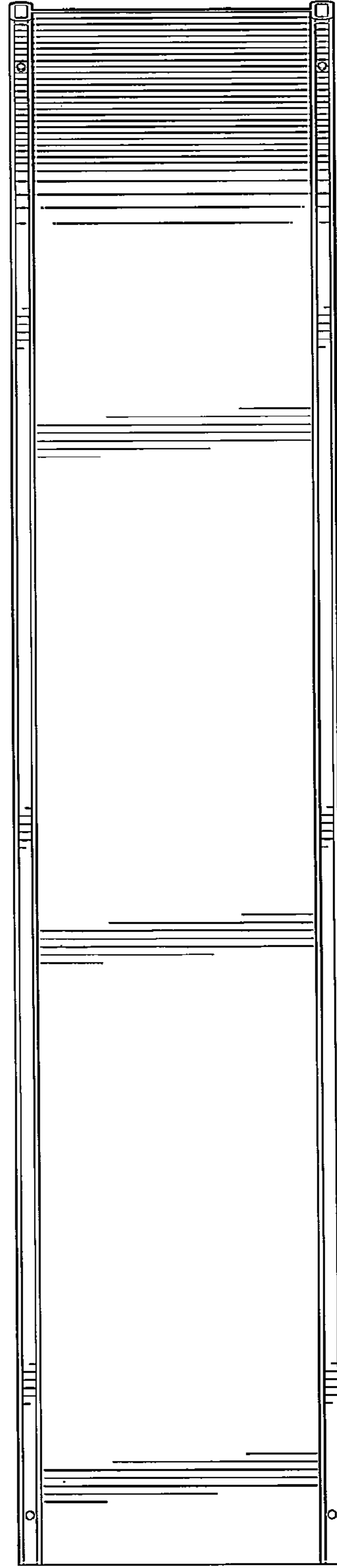


Fig. 7